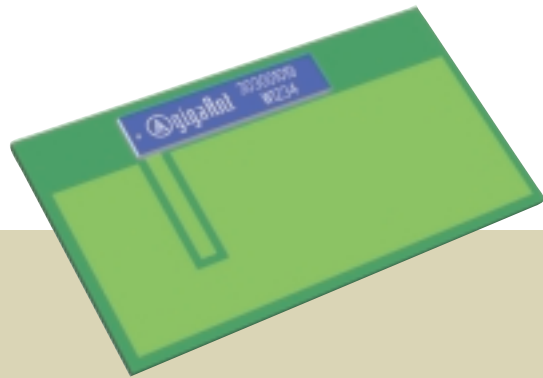


2.4 GHz Limata SMD Antenna

Embedded, Low-Profile antenna
for automatic assembly



Size: 18.5 x 3.9 x 1.0 mm

This surface-mounted, high-performance 2.4 GHz antenna is intended for use with all wireless applications where small size and low-profile are key factors.

The antenna requires a ground plane, i.e. your device acts as an active part of the antenna and thus demands careful consideration concerning its placement. For optimal performance, we strongly recommend those customers not very well acquainted with RF technology to use our know-how when it comes to implementing the antenna in your application. We can offer advanced measuring equipment, custom tuning and technical support to obtain a secure and reliable implementation.

The Limata antenna is suitable for Bluetooth™, Wireless LANs and Home RF products with in the 2.4 GHz range. Typical application areas are:

- Mobile phones
- PDAs
- Headsets
- Laptop PCs
- Compact Flash cards
- PC cards

Description

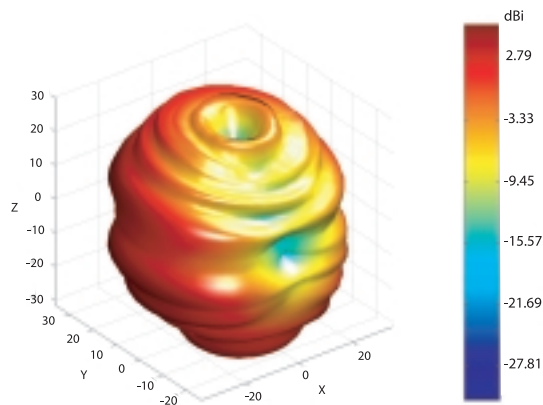
The Limata SMD antenna is an embedded low-profile antenna, only 18.5x3.9x1.0 mm in size intended for SMT assembly. Matching network is needed.

Antenna Specification

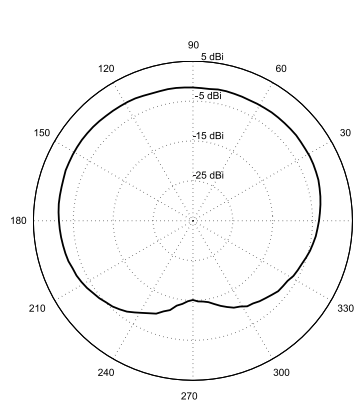
Frequency:	2.4-2.5 GHz
Type:	Ground plane dependent
Efficiency:	>70% *
Gain:	3.6 dBi*
Nominal impedance:	50 Ohm
VSWR:	<1.8:1 *
Mounting:	SMD
Operating temperatur:	-40 °C – +85 °C
Relative humidity:	93% at +40 °C
Weight:	0.15 g

* Typical Values

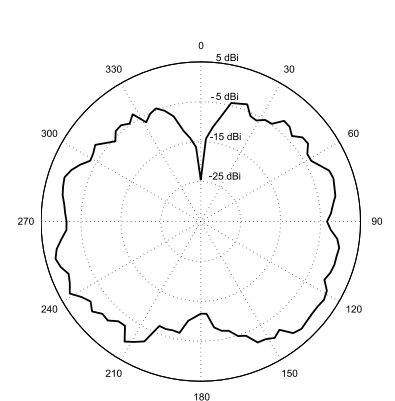
Typical 3D Radiation pattern



Horizontal cut, xy-plane

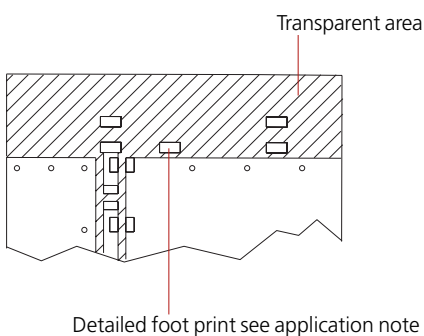


Vertical cut, xz-plane

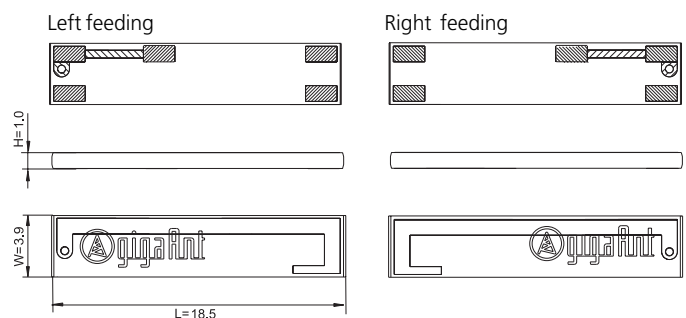


Dimensions (mm)

Mounting interface (Left feeding)



Configurations



Product name

Limata 2.4 GHz Left feeding
Limata 2.4 GHz Right feeding

Article No.

3030A5725-01
3030A5731-01

Packaging

Tape on reel
Tape on reel