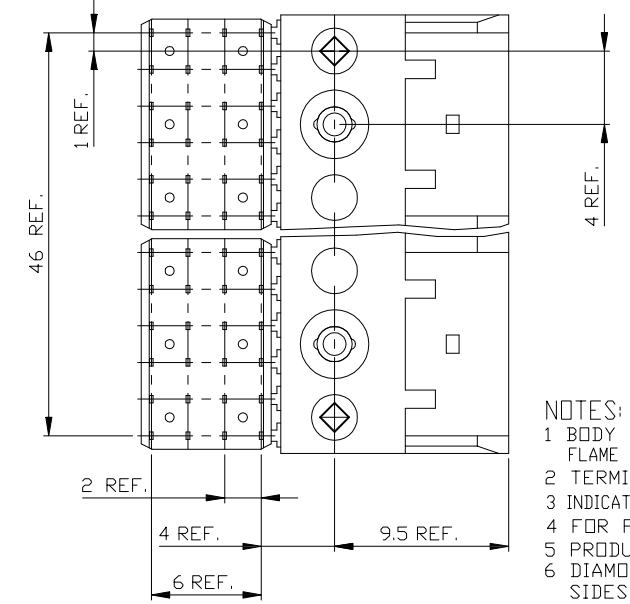
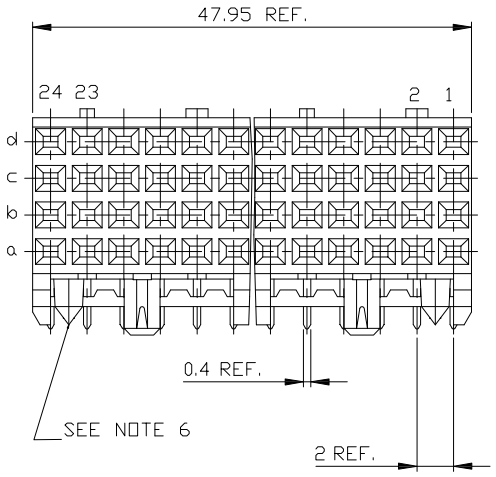
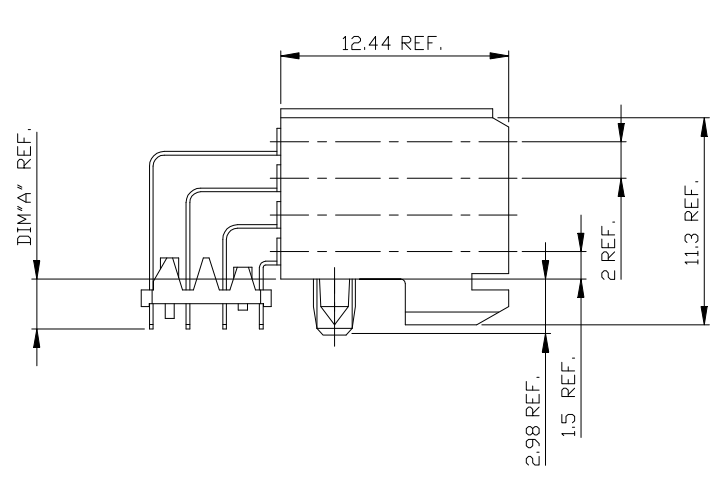
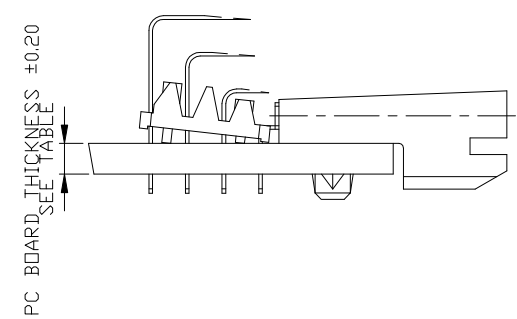


All rights strictly reserved. Reproduction or issue in any form without written authority from the proprietor.
 Tous droits strictement réservés. Reproduction ou communication à des tiers sans autorisation écrite du propriétaire.
 © F C I s.v.

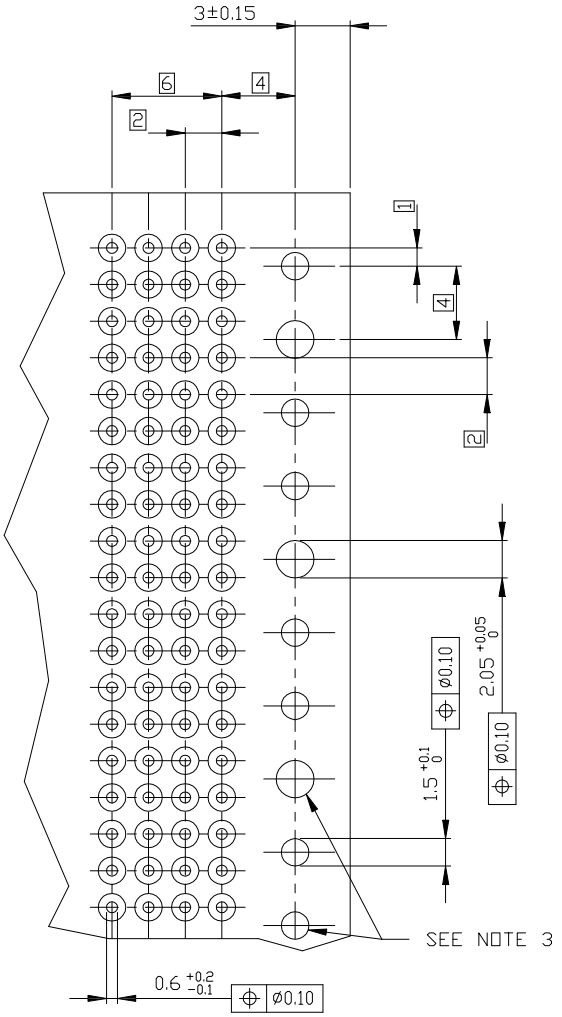
| PC BOARD VERSIONS | | |
|-------------------|---------------|--------|
| PRODUCTNR: | PCB THICKNESS | DIM"A" |
| 89037-X01/X01LF | 1.6 | 2.90 |
| 89037-X11/X11LF | 2.4 | 3.53 |



PRODUCT AFTER PC BOARD APPLICATION.



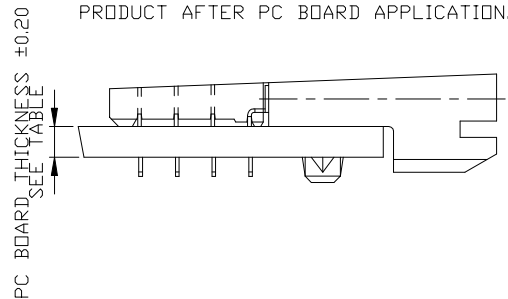
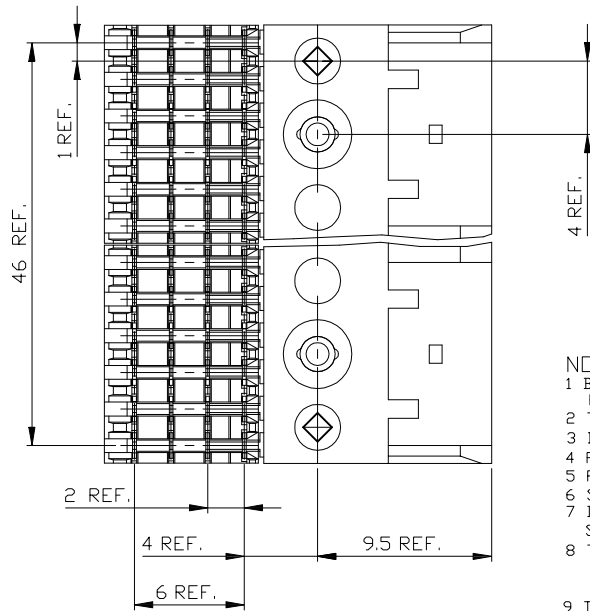
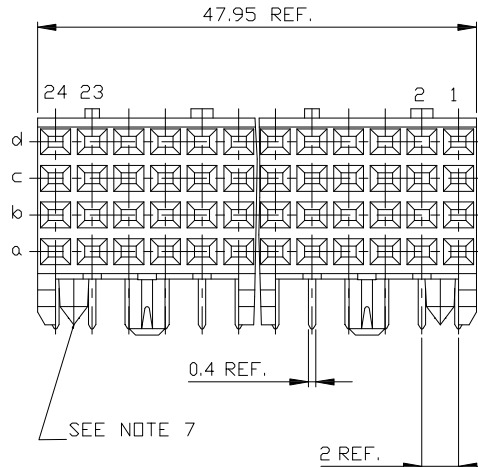
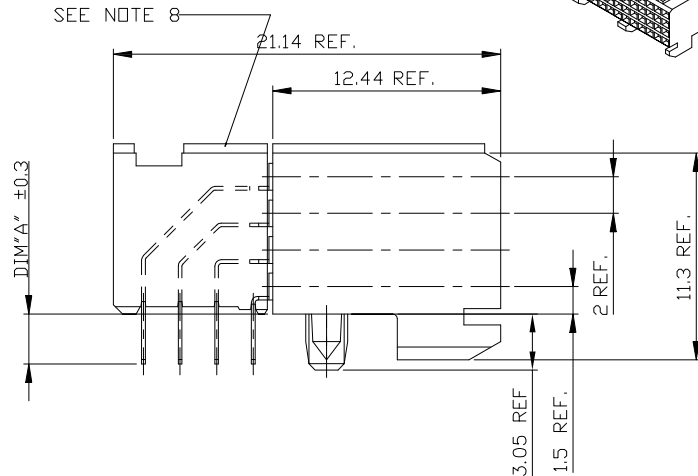
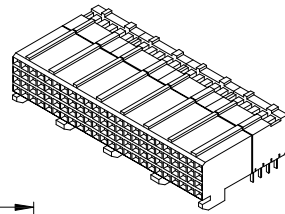
- NOTES:
- 1 BODY MAT'L: LIQUID CRYSTAL POLYMER 30% GLASS FLAME RETARDANT ACC. UL 94-V0
 - 2 TERMINAL MATERIAL: PHOSPHOR BRONZE.
 - 3 INDICATED HOLES ARE UNPLATED.
 - 4 FOR PLATING SPEC, REFER TO DRAWING 10097866.
 - 5 PRODUCT MARKING: PARTNUMBER & BATCH ID.
 - 6 DIAMOND LOCATION PEG ARE ONLY EXISTED ON THE BOTH SIDES OF PRODUCT.
 - 7 THIS PRODUCT MEETS EUROPEAN UNION DIRECTIVES AND OTHER COUNTRY REGULATIONS AS DESCRIBED IN GS-22-008.
 - 8 THE HOUSING WILL WITHSTAND EXPOSURE TO 260DEGREE PEAK TEMPERATURE FOR 10 SECONDS IN A WAVE SOLDER APPLICATION.



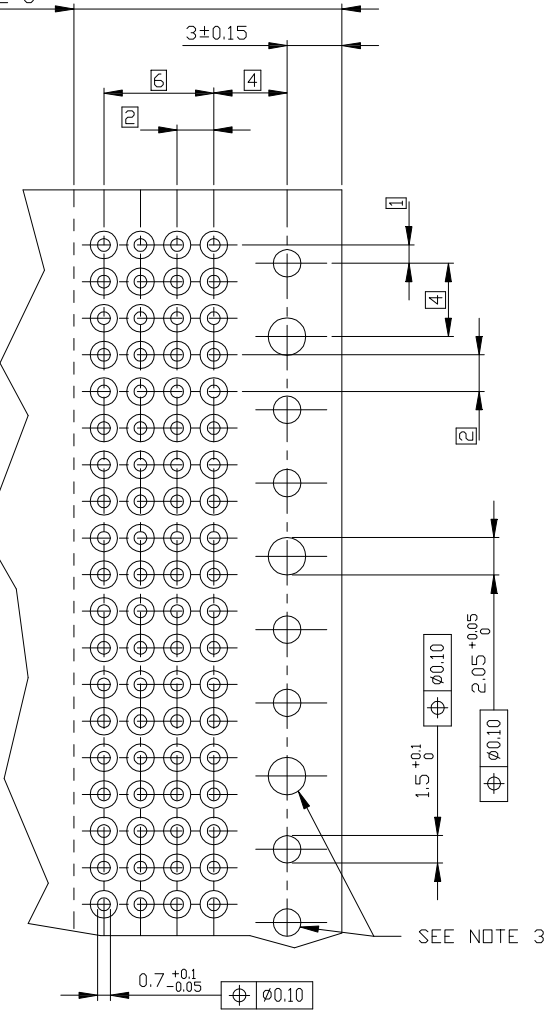
| PLATING CONTACT AREA: | |
|-----------------------|-------------------|
| DASH NR: | PERFORMANCE LEVEL |
| -1YY/1YYLF | TELCORDIA CO |
| -2YY/2YYLF | CUSTOMER SPECIAL |
| -3YY/3YYLF | CUSTOMER SPECIAL |

| mat'l. code | | tolerances unless otherwise specified | | CUSTOMER CDPY | www.fciconnection.com |
|-------------|-----------|---------------------------------------|-----------|---------------|-----------------------|
| J | DG04-004 | Clu | 0412/21 | linear | |
| K | DG06-0478 | Cenh | 11/23/06 | | 0.XXX±0.051 |
| L | DG07-071 | Cenh | 05/25/07 | angles | 0*±2* |
| M | DG08-071 | TIER | 8/26/08 | dir | H.Bouwknecht 930202 |
| N | DG09-0068 | Cenh | 03/03/09 | engr | H. Bouwknecht 940311 |
| P | DG09-0376 | Cenh | 26/11/09 | chr | S.Lee 930203 |
| | | appo | J.vintjes | | 930203 |
| sheet | revision | P | P | | |
| index | sheet | 1 | 2 | 3 | |

| PC BOARD VERSIONS | | |
|-------------------|---------------|--------|
| PRODUCTNR: | PCB THICKNESS | DIM"A" |
| 89037-X02/X02LF | 1.6 | 2.90 |
| 89037-X12/X12LF | 2.4 | 3.53 |



14.64 REF. SEE NOTE 6



RECOMMENDED HOLE PATTERN, COMPONENT SIDE.

- NOTES:
- BODY MAT'L: LIQUID CRYSTAL POLYMER 30% GLASS FLAME RETARDANT ACC. UL 94-V0
 - TERMINAL MATERIAL: PHOSPHOR BRONZE.
 - INDICATED HOLES ARE UNPLATED.
 - FOR PLATING SPEC, REFER TO DRAWING 10097866.
 - PRODUCT MARKING: PARTNUMBER & BATCH ID.
 - SET BACK FOR PRESS BLOCK.
 - DIAMOND LOCATION PEG ARE ONLY EXISTED ON THE BOTH SIDES OF PRODUCT.
 - TOP SURFACE OF PRESS BLOCK MAY EXTEND UP TO 0.4MM HIGHER THAN HOUSING. THIS MAY AFFECT THE TAIL LENGTH BEFORE APPLICATION TO A BOARD
 - THIS PRODUCT MEETS EUROPEAN UNION DIRECTIVES AND OTHER COUNTRY REGULATIONS AS DESCRIBED INGS-22-008.
 - THE HOUSING WILL WITHSTAND EXPOSURE TO 260DEGREE PEAK TEMPERATURE FOR 10 SECONDS IN A WAVE SOLDER APPLICATION.

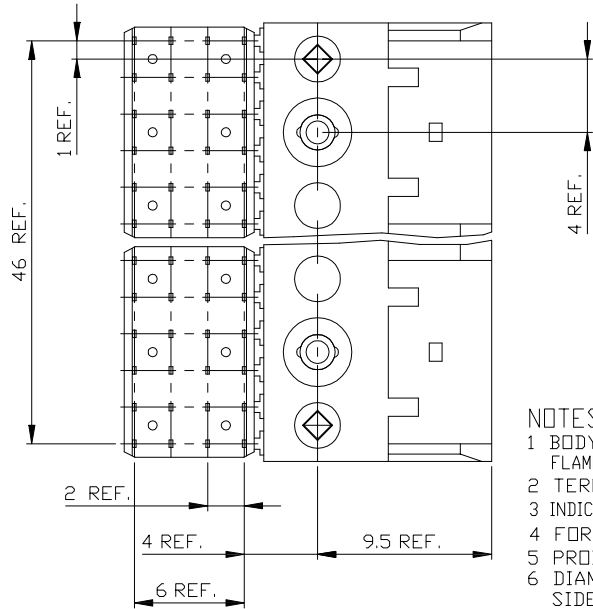
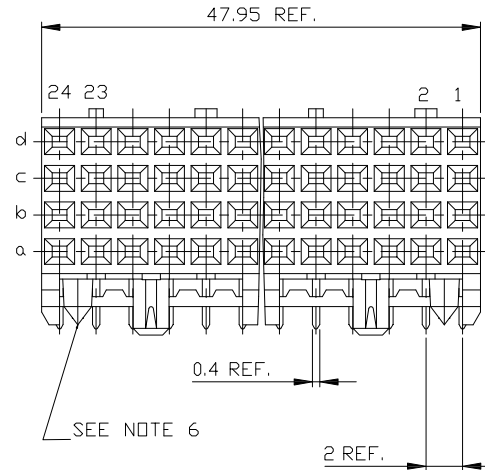
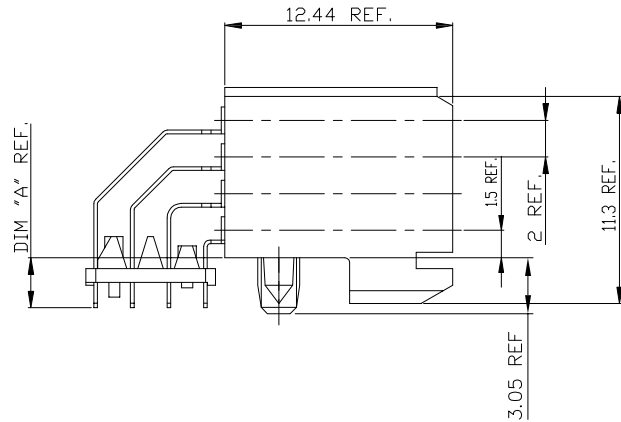
PLATING CONTACT AREA:

| DASH NR: | PERFORMANCE LEVEL |
|------------|-------------------|
| -1YY/1YYLF | TELCORDIA CO |
| -2YY/2YYLF | CUSTOMER SPECIAL |
| -3YY/3YYLF | CUSTOMER SPECIAL |

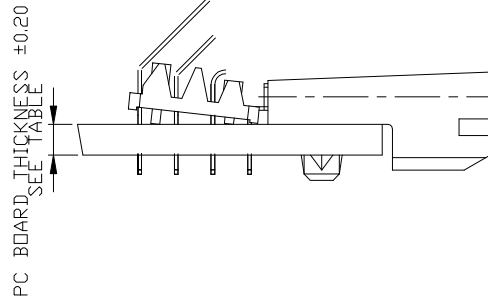
| | | | | | | | |
|-------------|-------------|---------------------------------------|-------|---------------|----------------|---------------------------|-------|
| mat'l. code | | tolerances unless otherwise specified | | CUSTOMER CDPY | | www.fciconnection.com | |
| l | tr | ec | n | nd | r | date | |
| linear | | 0.XX±0.3 | | projection | | title | |
| angles | | 0.XXX±0.051 | | | | RA FEMALE SIGNAL | |
| dir | D. de Bil | 970529 | mm | | product family | METRAL(tm) | code |
| engr | P. Schalk | 970529 | scale | | size | dwg no | 213 |
| chr | P. Schalk | 970529 | 5:1 | | 89037 | | sheet |
| app | H. Cooljans | 970529 | | | | | 2 of |
| sheet | revision | | | | | | |
| index | sheet | | | | | | |

All rights strictly reserved. Reproduction or use in any form without written authority from the proprietor. Property of F.C.I. bv. © F.C.I. bv.

| PC BOARD VERSIONS | | |
|-------------------|---------------|---------|
| PRODUCTNR: | PCB THICKNESS | DIM "A" |
| 89037-X03/X03LF | 1.6 | 2.90 |
| 89037-X13/X13LF | 2.4 | 3.53 |

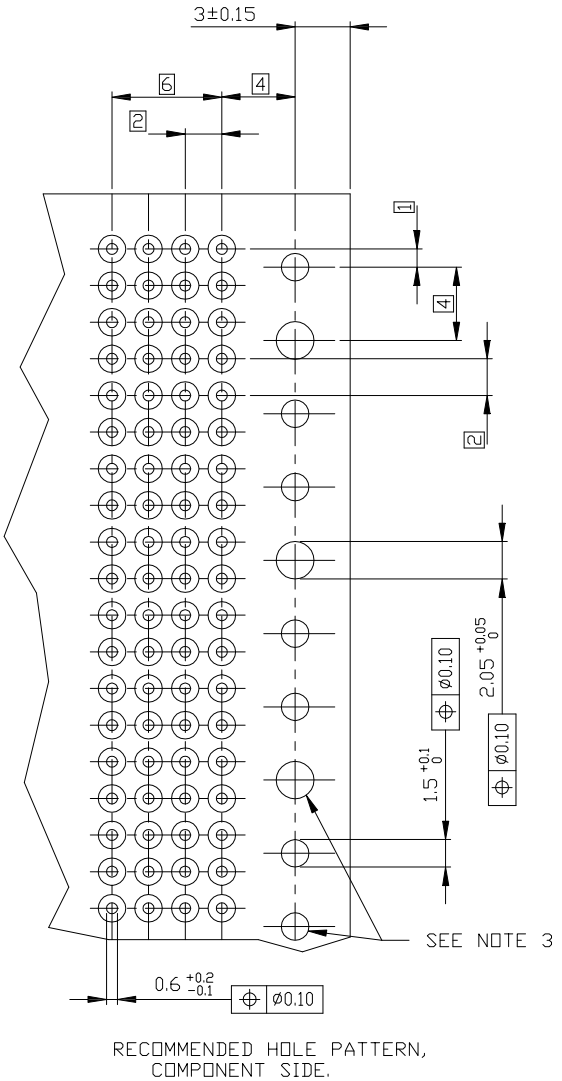


PRODUCT AFTER PC BOARD APPLICATION.



NOTES:

- 1 BODY MAT'L: LIQUID CRYSTAL POLYMER 30% GLASS
FLAME RETARDANT ACC. UL 94-V0
- 2 TERMINAL MATERIAL: PHOSPHOR BRONZE.
- 3 INDICATED HOLES ARE UNPLATED.
- 4 FOR PLATING SPEC, REFER TO DRAWING 10097866.
- 5 PRODUCT MARKING: PARTNUMBER & BATCH ID.
- 6 DIAMOND LOCATION PEG ARE ONLY EXISTED ON THE BOTH SIDES OF PRODUCT.
- 7 THIS PRODUCT MEETS EUROPEAN UNION DIRECTIVES AND OTHER COUNTRY REGULATIONS AS DESCRIBED IN GS-22-008.
- 8 THE HOUSING WILL WITHSTAND EXPOSURE TO 260DEGREE PEAK TEMPERATURE FOR 10 SECONDS IN A WAVE SOLDER APPLICATION.



RECOMMENDED HOLE PATTERN, COMPONENT SIDE.

| PLATING CONTACT AREA: | |
|-----------------------|-------------------|
| DASH NR: | PERFORMANCE LEVEL |
| -1YY/1YYLF | TELCORDIA CO |
| -2YY/2YYLF | CUSTOMER SPECIAL |
| -3YY/3YYLF | CUSTOMER SPECIAL |

| mat'l. code | | tolerances unless otherwise specified | | CUSTOMER CDPY | | FCI | |
|-------------|----------|---------------------------------------|------|---------------|-------------|------------|---------------------------|
| ltr | ecn | ndr | date | linear | 0.X±0.3 | projection | title |
| | | | | | 0.XX±0.13 | ⊕ | RA FEMALE SIGNAL |
| | | | | | 0.XXX±0.051 | ⊕ | 48 mm PRESS PEG |
| | | | | angles | 0°±* | mm | product family METRAL(tn) |
| | | | | dir | Heaven Cen | 11/23/06 | code |
| | | | | engr | Collins Lu | 11/23/06 | 213 |
| | | | | chr | Beer Fu | 11/23/06 | sheet |
| | | | | app | Joseph Hsla | 11/23/06 | 3 of- |
| sheet | revision | | | scale | 5:1 | | |
| index | sheet | | | | | | |