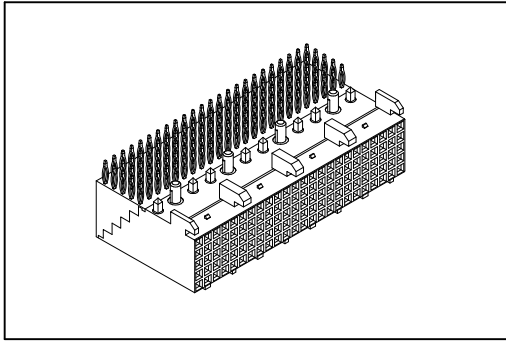


9111 Series

H.D. 2.0mm(0.079") Futurebus(+)5 Rows Female Right Angle Type



Material:

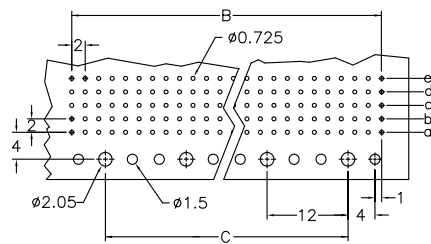
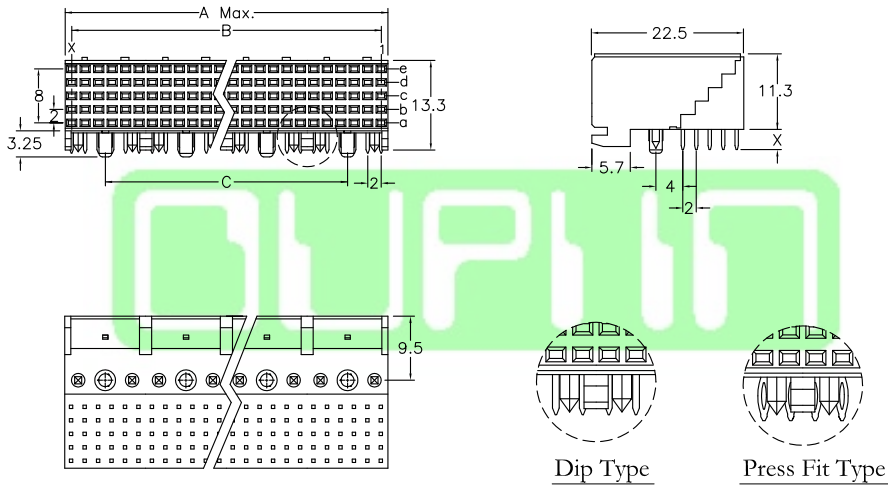
Housing: High Temperature Plastic UL94V-0.
Contacts: Copper Alloy.

Electrical Characteristics:

Current Rating: 1 A.
Dielectric Withstanding Voltage: AC 1000V.
Insulator Resistance: 1000MΩ min.
Contact Resistance: 30mΩ max.
Operating Temperature: -55°C ~ +125°C.

Features:

- * 2mm high density futurebus+ female right angle solder and press fit type.
- * Available pin count from 30~390.
- * Side by side stackable.
- * Push-Fit peg.



P.C. Board Layout

X Length	1	2	
	2.90	3.53	
Position	Dimension		
	A	B	C
30	11.95	10.0	
60	23.95	22.0	12.0
90	35.95	34.0	24.0
120	47.95	46.0	36.0
150	59.95	58.0	48.0
180	71.95	70.0	60.0
210	83.95	82.0	72.0
240	95.95	94.0	84.0
270	107.95	106.0	96.0
300	119.95	118.0	108.0
330	131.95	130.0	120.0
360	143.95	142.0	132.0
390	155.95	154.0	144.0

Ordering information

9111- 5 2 30 1 C 10 D U
 Series 5: 5Rows 2: Female Signal Position 1: Dip Length 2: Dip Length C: Selective Gold Plated 10: 10 μ " D: Dip Type P: Press Fit Type U: Tube Package