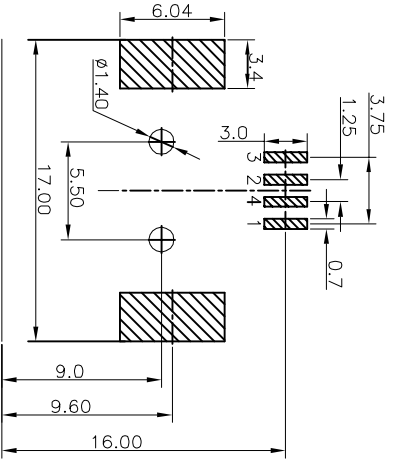
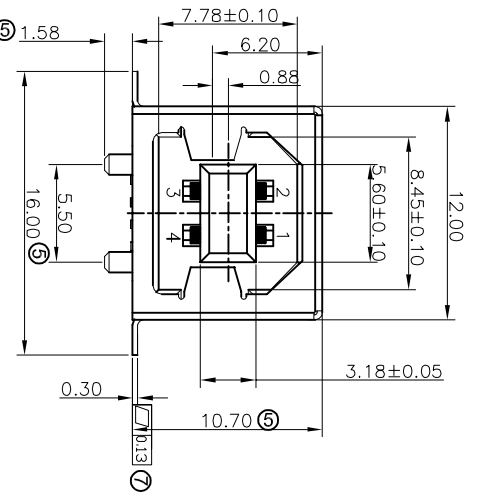


® USB2.0 COMPLIANT



RECOMMENDED P.C.B LAYOUT
(TOLERANCE:±0.05)

NOTES:

1. Material:

① 1.1 Housing: PA9T UL94V-0, White Color

1.2 Shell: Brass

1.3 Contact :Phosphor Bronze

2. FINISH:

2.1 Contact Area: Gold Flash

Solder Area: Tin Plated

Under: Ni Plated

② 2.2 Shell: Ni Plated 50u"~80 u"

3.MECHANICAL:

3.1 Mating Force:3.57kgf Max.

3.2 Unmating Force:1.02kgf Min

3.3 Durability:1500 cycles Min

4.ELECTRICAL:

4.1 Current Rating:1.5A

4.2 Dielectric Strength:500V AC FOR 1 MINUTE

4.3 Contact Resistance:30mΩ Max

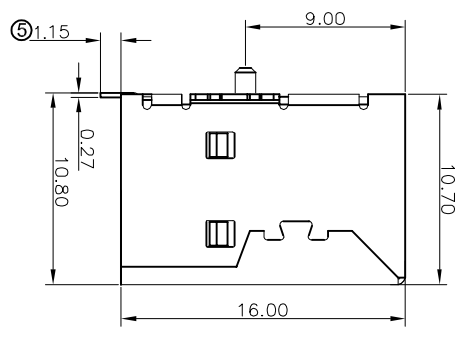
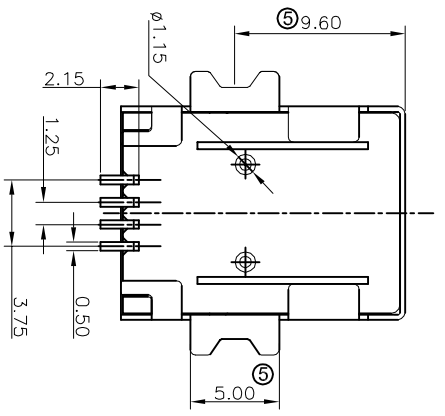
4.4 Insulation Resistance:1000 MΩ Min

5.Operating temperature: -55°C TO +85°C

6.PACKING:

A-USB B/SMT:Tray

A-USB B/SMT-R:Tape&Reel



RoHS compliant
Unit: mm

Scale	Free	⑩	⑪	⑫	⑬	⑭	⑮	⑯	⑰	⑱	⑲	⑳
TOLERANCE												
X.X	±0.5	③	Add the dimension of reel	12.12.2016	Winnie		Date	Name	Customer-No.			
X.XX	±0.3	④	Add page 2	08.09.2016	Jesse	Drawn	27.03.2007	Hellwig	ASSMANN WSW-No.	A-USB B/SMT		
X.XXX	±0.2	⑤	Change the insulator material	09.07.2015	Jesse	Approved	12.12.2016	Jesse	A-USB B/SMT-R			
DIM	TOL	⑥	Add the co-planarity&plating spec for the shell	17.01.2014	Winnie				Drawing-No.			
ANG.°	±5°	⑦	Update	19.08.2013	Winnie				ASS 1122 CO	rev10		
Angle	TOL	⑧	Update	07.06.2013	Winnie				Replace	SHEET		
		⑨	Modification							1/2		



A	1	2	3	4	5	6	7	A
B	1	2	3	4	5	6	7	B
C	1	2	3	4	5	6	7	C
D	1	2	3	4	5	6	7	D
E	1	2	3	4	5	6	7	E
F	1	2	3	4	5	6	7	F
G	1	2	3	4	5	6	7	G
H	1	2	3	4	5	6	7	H

1

2

3

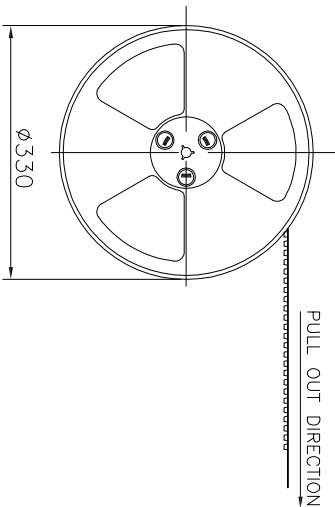
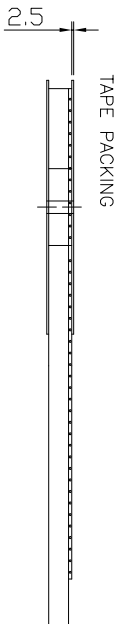
4

5

6

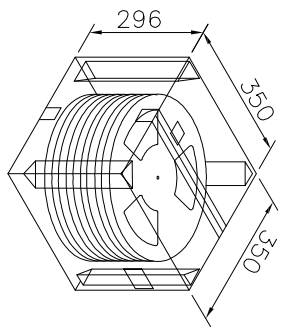
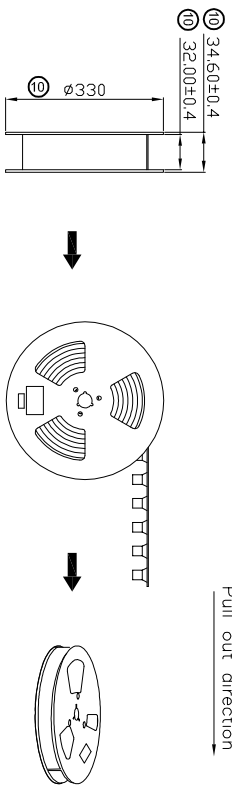
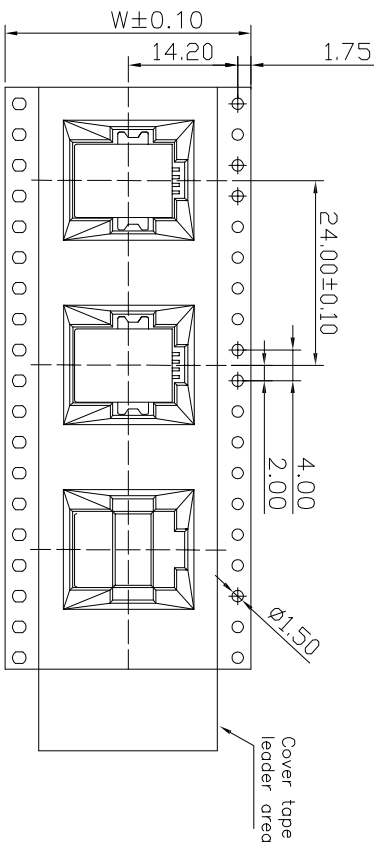
7

⑨



(SC 1:20)

Pin.	W	Pcs/R	R/Cartron	Pcs/Cartron
04	32	150	7	1050



NOTES:

1. Material: White
2. Thickness: 0.50±0.05mm
3. Component load per 13" reel: 150pcs
4. Carton Size: 350*296(mm)

RoHS compliant

Unit: mm

Scale	Free	⑩	⑪	⑫	⑬	⑭	⑮	⑯	⑰	⑱	⑲	⑳
TOLERANCE												
X.X	±0.5	⑩	Add the dimension of reel	12.12.2016	Winnie		Date	Name				
X.XX	±0.3	⑪	Add page 2	08.09.2016	Jesse	Drawn	27.03.2007	Hellwig				
X.XXX	±0.2	⑫	Change the Insulator material	09.07.2015	Jesse	Approved	12.12.2016	Winnie				
DIM	TOL	⑬	Add the co-planarity&plating spec for the shell	17.01.2014	Winnie							
ANG.°	±5°	⑭	Update	19.08.2013	Winnie							
Angle	TOL	⑮	Update	07.06.2013	Winnie							
		⑯	Modification									



ASS 1122 CO

rev10

Replace

SHEET 2/2

1

2

3

4

5

6

7

G

G

H

H

H

H

H

H

H

H

H