

**CP-013 Series 4.20mm(.165") Straight DIP Solder Headers**

- ⊙ Optional PCB mounting pegs
- ⊙ Mates with CP-011 Connector
- ⊙ Nylon 66 UL 94V-0 or V-2 insulator material



CP

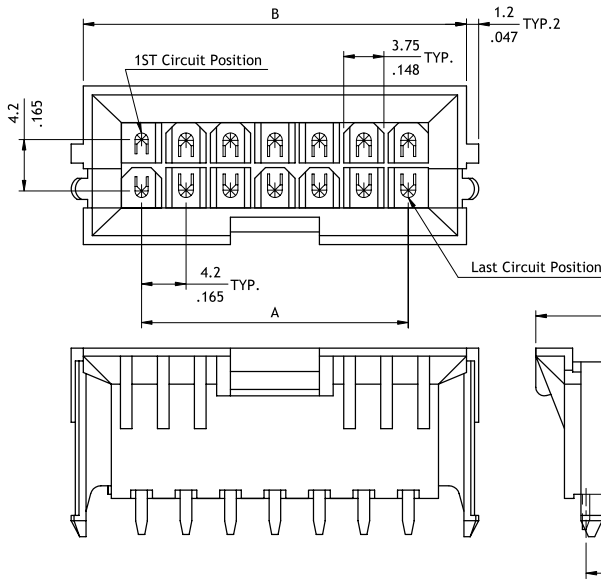
Ordering code		1	2	3	4	5	6
		<b>C</b>	<b>P</b>	<b>-</b>	<b>0</b>	<b>1</b>	<b>3</b>
		<b>3</b>	<b>2</b>	<b>4</b>	<b>1</b>	<b>6</b>	<b>0</b>

**1** Series No.  
**2** Connector Type:  
 3 = Straight PCB mount header  
**3** No. of Circuit:  
 See below table  
**4** Plating code:  
 1 = Tin over Nickel

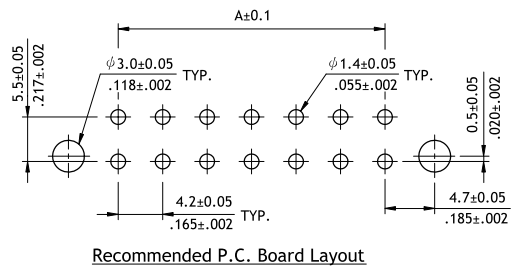
**5** Variation:  
 6 = UL 94V-2, B.M.I type  
 7 = UL 94V-0, B.M.I type  
 8 = UL 94V-2, With square pin  
 9 = UL 94V-0, With square pin  
 J = GWT UL 94V-2, With square pin  
 H = GWT UL 94V-2, B.M.I type

**6** Other Options:  
 0 = Standard  
 \*Special options consult manufacturer\*

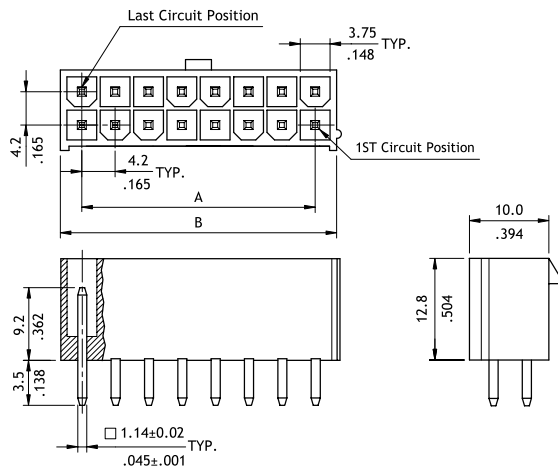
P/N CP-013\*\*160 / CP-013\*\*170 / CP-013\*\*1H0



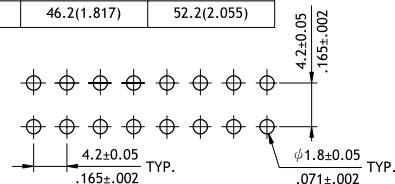
Circuits	Dimension	
	A	B
4	4.2(.165)	15.1(.594)
6	8.4(.331)	19.3(.760)
10	16.8(.661)	27.7(1.091)
14	25.2(.992)	36.1(1.421)
18	33.6(1.323)	44.5(1.752)
24	46.2(1.819)	57.1(2.248)



P/N CP-013\*\*180 / CP-013\*\*190 / CP-013\*\*1J0



Circuits	Dimension	
	A	B
2	-	6.0(.236)
4	4.2(.165)	10.2(.402)
6	8.4(.331)	14.4(.567)
8	12.6(.496)	18.6(.732)
10	16.8(.661)	22.8(.898)
12	21.0(.827)	27.0(1.063)
14	25.2(.992)	31.2(1.228)
16	29.4(1.157)	35.4(1.394)
18	33.6(1.322)	39.6(1.559)
20	37.8(1.487)	43.8(1.724)
22	42.0(1.652)	48.0(1.890)
24	46.2(1.817)	52.2(2.055)



WIRE TO BOARD