



## DC POWER CONNECTORS: KLDVX Series

Vertical PCB Mount DC Power Jack

### Product Features

- 2.0mm and 2.5mm
- Mounts Perpendicular to PCB
- Built in DC On/Off Switch
- CSA/NRTL Certified File No. LR78160
- UL File No. E140125

### Performance Specifications

#### Materials and Finish

- Plastic Housing:** High Temperature Thermoplastic, UL94V-0 Rated, Black Color
- Center Pin:** Brass, Nickel Plated
- Contact #1:** Brass, Matte Tin Plated
- Contact #2:** Phosphor Bronze, Gold Flash on Contact Area, Matte Tin on Solder Pin
- Contact #3:** Brass, Matte Tin Plated

### Electrical Characteristics

- Contact Resistance Before Durability Test**
- Between Terminals:** 30 milliohms Max.
- Plug to Contacts:** 50 milliohms Max.
- After Durability Test**
- Between Terminals:** 60 milliohms Max.
- Plug to Contacts:** 100 milliohms Max.
- Rated Voltage:** 24V DC
- Rated Current:** 3.5A
- Insulation Resistance:** 100 Megohms Min.
- Dielectric Withstanding Voltage:** 500V AC RMS for 1 Minute

### Mechanical Characteristics

- Durability Test:** 5000 Cycles
- Insertion Force:** 0.3kg - 2.0kg
- Extraction Force:** 0.3kg - 2.0kg
- Operating Temperature:** -25°C to +85°C

2D Drawing	IGES	STEP	3D PDF
Solder Profile	CofC RoHS Compliant	CofC REACH Compliant	UL Plastic File
Certificate of Origin	Check Stock	Request a Sample	Send Us An Email

Generated Part Number



Part Number Builder



#### Series

KLDVX-0202 - Vertical PCB Mount DC Power Jack

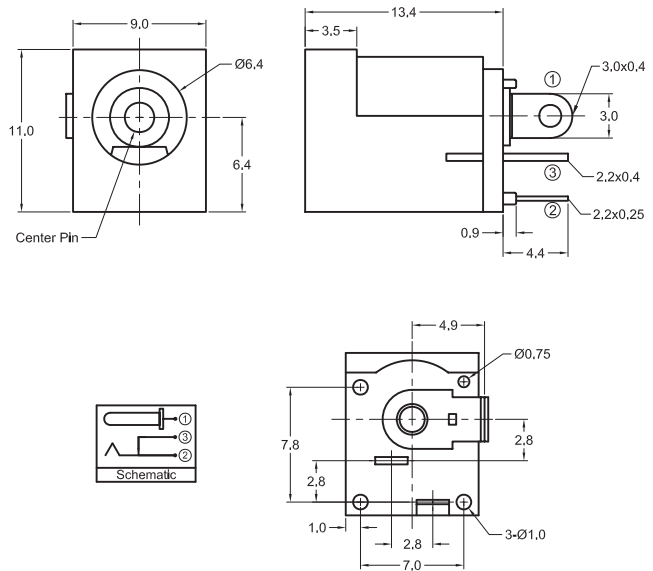
#### Diameter

- A - 2.0mm Center Pin Diameter
- B - 2.5mm Center Pin Diameter

Contact Kycon For Other Options

### KLDVX-0202 Series

Dimensions in mm



# Mouser Electronics

Authorized Distributor

Click to View Pricing, Inventory, Delivery & Lifecycle Information:

[Kycon:](#)

[KLDVX-0202-A](#) [KLDVX-0202-B](#)