

AZ832

POLARIZED DIP RELAY SINGLE SIDE STABLE

FEATURES

- Low profile for compact board spacing
- DC coils to 48 VDC
- High sensitivity, 96 mW pickup
- Life expectancy to 20 million operations
- High switching capacity, 60 W, 250 VA
- Fits standard 16 pin IC socket
- Epoxy sealed for automatic wave soldering and cleaning
- Meets FCC Part 68.302 1500 V lightning surge
- Meets FCC Part 68.304 1000 V dielectric
- UL, CUR file E43203



CONTACTS

Arrangement	DPDT (2 Form C) Bifurcated crossbar contacts
Ratings	Resistive load: Max. switched power: 90 W or 250 VA Max. switched current: 3 A Max. switched voltage: 250 VDC or 250 VAC
Rated Load UL	3 A at 30 VDC resistive 50K cycles at 70°C 2 A at 30 VDC resistive 2 A at 125 VAC resistive
Material	Gold plated silver against gold plated silver
Resistance	< 50 milliohms initially

COIL

Power At Pickup Voltage (typical)	Non-Sensitive Coil: 252 mW Standard Coil: 135 mW Sensitive Coil: 128 mW Ultra-Sensitive Coil: 96 mW
Max. Continuous Dissipation	0.9 W at 20°C (68°F)
Temperature	Max. 115°C (239°F)

NOTES

1. All values at 20°C (68°F).
2. Relay may pull in with less than "Must Operate" value.
3. Relay has fixed coil polarity.
4. For complete isolation between the relay's magnetic fields, it is recommended that a .197" (5.0 mm) space be provided between adjacent relays.
5. Relay adjustment may be affected if undue pressure is exerted on relay case.
6. Specifications subject to change without notice.

GENERAL DATA

Life Expectancy Mechanical Electrical	Minimum operations 2 x 10 ⁷ 1 x 10 ⁵ at 2 A, 30 VDC or 1 A, 125 VAC 2 x 10 ⁶ at 1 A, 30 VDC or .5 A, 125 VAC
Operate Time (typical)	3 ms at nominal coil voltage
Release Time (typical)	2 ms at nominal coil voltage (with no coil suppression)
Bounce (typical)	3 ms
Dielectric Strength (at sea level)	1500 Vrms contact to coil 1000 Vrms between contact sets 1000 Vrms across contacts Meets FCC Part 68.302 lightning surge Meets FCC Part 68.304 V dielectric
Insulation Resistance	1000 megohms min. at 20°C, 500 VDC, 50% RH
Dropout	Greater than 10% of nominal coil voltage
Ambient Temperature Operating Storage	At nominal coil voltage -40°C (-40°F) to 85°C (185°F) -40°C (-40°F) to 115°C (239°F)
Vibration	50 g at 10–500 Hz
Shock	50 g
Enclosure	P.B.T. polyester
Terminals	Tinned copper alloy, P.C.
Max. Solder Temp.	270°C (518°F)
Max. Solder Time	5 seconds
Max. Solvent Temp.	80°C (176°F)
Max. Immersion Time	30 seconds
Weight	5 grams

AMERICAN ZETTLER, INC.

www.azettler.com

75 COLUMBIA • ALISO VIEJO, CA 92656 • PHONE: (949) 831-5000 • FAX: (949) 831-8642 • E-MAIL: SALES@AZETTLER.COM

AZ832

RELAY ORDERING DATA

ULTRA SENSITIVE COIL				
COIL SPECIFICATIONS				ORDER NUMBER
Nominal Coil VDC	Max. Continuous VDC	Coil Resistance $\pm 10\%$	Must Operate VDC	
5	12.3	167	4.0	AZ832-2C-5DSE
6	14.5	240	4.8	AZ832-2C-6DSE
9	21.0	540	7.2	AZ832-2C-9DSE
12	29.0	960	9.6	AZ832-2C-12DSE
18	43.5	2160	14.4	AZ832-2C-18DSE
24	57.0	3840	19.2	AZ832-2C-24DSE

SENSITIVE COIL				
COIL SPECIFICATIONS				ORDER NUMBER
Nominal Coil VDC	Max. Continuous VDC	Coil Resistance $\pm 10\%$	Must Operate VDC	
3	6.4	45.0	2.4	AZ832-2C-3DE
5	10.6	125	4.0	AZ832-2C-5DE
6	12.7	180	4.8	AZ832-2C-6DE
9	19.1	405	7.2	AZ832-2C-9DE
12	25.5	720	9.6	AZ832-2C-12DE
18	38.3	1620	14.4	AZ832-2C-18DE
24	50.9	2,880	19.2	AZ832-2C-24DE
48	101.8	11,520	38.4	AZ832-2C-48DE

STANDARD COIL				
COIL SPECIFICATIONS				ORDER NUMBER
Nominal Coil VDC	Max. Continuous VDC	Coil Resistance $\pm 10\%$	Must Operate VDC	
3	5.7	36	2.25	AZ832-2C-3DME
5	9.2	95	3.75	AZ832-2C-5DME
6	11.0	150	4.5	AZ832-2C-6DME
12	23.2	600	9.0	AZ832-2C-12DME
18	34.8	1350	13.5	AZ832-2C-18DME
24	44.6	2210	18.0	AZ832-2C-24DME

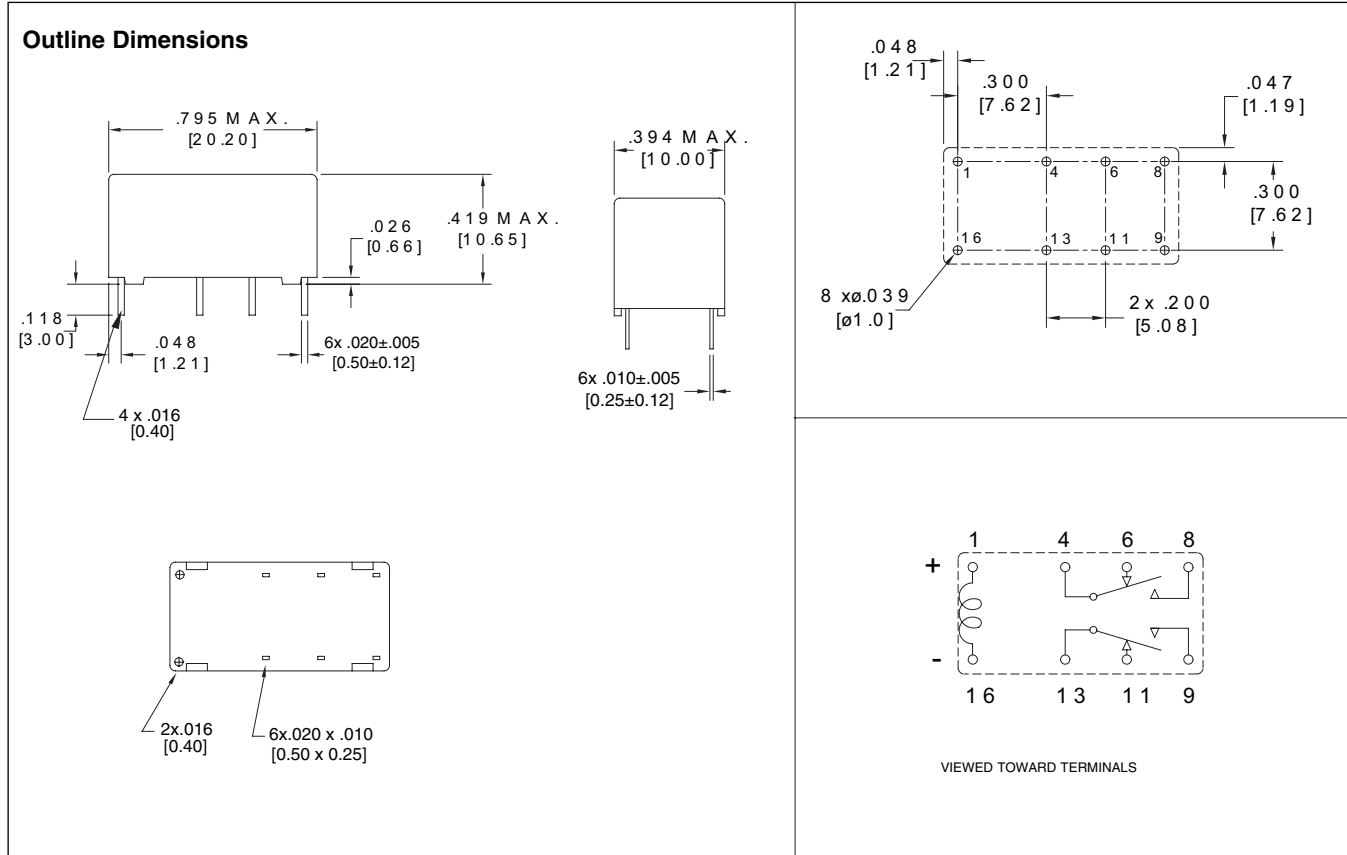
NON-SENSITIVE COIL				
COIL SPECIFICATIONS				ORDER NUMBER
Nominal Coil VDC	Max. Continuous VDC	Coil Resistance $\pm 10\%$	Must Operate VDC	
5	6.3	36	3.5	AZ832-2C-5DHE
6	8.9	70	4.2	AZ832-2C-6DHE
9	12.5	140	5.3	AZ832-2C-9DHE
12	17.8	280	8.4	AZ832-2C-12DHE
18	26.7	630	12.6	AZ832-2C-18DHE
24	34.4	1050	16.8	AZ832-2C-24DHE

AMERICAN ZETTLER, INC. www.azettler.com

75 COLUMBIA • ALISO VIEJO, CA 92656 • PHONE: (949) 831-5000 • FAX: (949) 831-8642 • E-MAIL: SALES@AZETTLER.COM

AZ832

MECHANICAL DATA



Dimensions in inches with metric equivalents in parentheses. Tolerance: ± .010"