

»» Features

- Small sizes 12.5 x 7.5 x 10mm
- High sensitivity 150mW
- Fully sealed
- UL/CUL approved
- Special design for alarm, security system, office equipment, medical equipment
- Comply with RoHS-Directive 2002/95/EC

»» Type List

Terminal style	Contact form	Designation (provided with)
		Sealed type washable
PCB Terminal	1C (SPDT)	ST1 001 C .. W

»» Ordering Information

ST1 001 C 24 W
 1 2 3 4 5

- | | | | |
|--------|----------------------------------|------|--|
| 1. ST1 | -- Basic series Designation | 4. | -- Coil voltage: 05=5V; 06=6V; 09=9V; 12=12V; 24=24V |
| 2. 001 | -- Single pole double throw | 5. W | -- Sealed washable |
| 3. C | -- Contact material Ag + Au clad | | |

»» Contact Data

Type of contact	Single contact
Configuration	1CO
Rated load	1A/24VDC; 0.5A/125VAC
Maximum switching current	1A
Maximum switching voltage	60VDC / 125VAC
Maximum switching capacity	30W / 62.5VA
Contact resistance	100mΩ
Contact material	Ag + Au clad

»» Coil rating (DC @+23°C)

Rated voltage (V)	Rated current (mA) ±10%	Coil resistance (Ω) ±10%	Max. continuous voltage (V)	Pick up voltage	Drop out voltage	Power consumption at rated voltage (mW)
5	29.9	167	200 % of rated voltage	80 % of rated voltage	10 % of rated voltage	150
6	25	240				
9	16.6	540				
12	12.5	960				
24	6.25	3840				

ST1

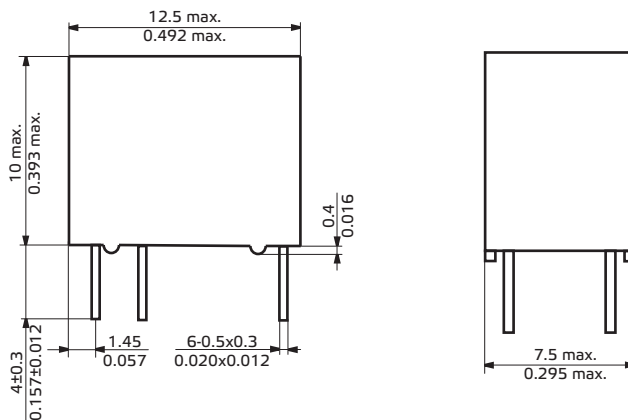
»» Specification

Mechanical life	5x10 ⁶ cycles	
Electrical life at rated load	1x10 ⁵ cycles	
Operate Time	5ms Max.	
Release Time	5ms Max.	
Dielectric strength	Between coil and contacts	1000V, 50/60Hz, 1min
	Between open contacts	400V, 50/60Hz, 1min
Vibration resistance (10..55Hz) double amplitude	Operation extremes	3.3mm
	Shock resistance	Operation extremes - 11ms
Operating ambient tempera-	-30..+70°C	
Approvals	UL/CUL	
Weight	2.2g	

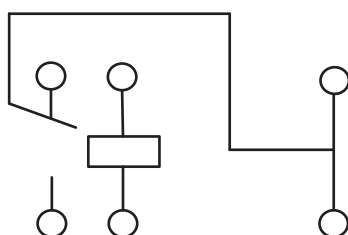
»» Safety Approval

Certified	UL / CUL
Ratings	0.5A/125VAC; 1A/30VDC; 0.3A/60VDC

»» Outline Dimensions



»» Wiring Diagram BOTTOM VIEW





»» PC Board Layout
BOTTOM VIEW

