

# POWER RELAY

## 1 POLE - 10A

### VS Series

#### ■ FEATURES

- UL, CSA, VDE, SEV, SEMKO, CQC recognized
- TV-5 is available
- Working class: C
- UL class B (130°C) coil wire insulation
- Type of service: continuous duty
- Heavy duty miniature slim type power relay
- High isolation in small package
  - Insulation distance: 8 mm
  - Dielectric strength: 5,000 VAC (between coil and contacts)
  - Surge strength: 10,000 V
- Standard and high sensitivity types available
- Flux proof type and plastic sealed type available
- Cadmium free is available
- RoHS compliant. Please see page 8 for more information



#### ■ PARTNUMBER INFORMATION

[Example]       $\frac{VS}{(a)}$  -  $\frac{12}{(*)}$   $\frac{S}{(b)}$   $\frac{M}{(c)}$   $\frac{B}{(d)}$   $\frac{U}{(e)}$  -  $\frac{N}{(g)}$  -  $\frac{UC}{(h)}$

(a)	Relay type	VS	: VS Series
(b)	Coil rated voltage	12	: 3...100VDC Coil rating table at page 3
(c)	Coil type	Nil S	: Standard type (700-750mW) : High sensitive type (530mW)
(d)	Contact configuration	T M	: 1 form C (SPDT) : 1 form A (SPST-NO)
(e)	Enclosure	B C K	: Flux proof type, RTII : Plastic sealed type (with tape), RTIII : Plastic sealed type, RTIII
(f)	TV type	Nil U	: TV rating type : Non TV rating type (standard type)
(g)	Contact material	N Nil 5 Nil E	: Silver alloy (10A) (AgSnO <sub>2</sub> ) : Silver-cadmium oxide (TV-5 rating) (AgCdO) : Silver-cadmium oxide (non TV rating) (AgCdO) : Gold overlay silver-nickel (non TV rating) (AgNi + Au) : Silver-nickel (non TV rating) (AgNi)
(h)	Safety standard	UC SM2 IM2	: UL, CSS : UL, CSA, VDE, SEMKO : UL, CSA, VDE, SEV, SEMKO

Note: Actual marking omits the hyphen (-) of (\*)

# VS SERIES

## ■ SPECIFICATION

		TV-5 Rating Type		Standard Type			
		VS - ( ) M	VS - ( ) MN	VS - ( )U-5	VS - ( ) U-N	VS - ( ) U VS - ( ) U-E	
Contact Data	Configuration		1 form A (SPST-NO), 1 form C (SPDT)				
	Construction		Single				
	Material		Silver cadmium-oxide	Silver alloy	Silver cadmium-oxide	Silver alloy	Gold overlay silver nickel
	Resistance (initial)		Max. 100mOhm at 6VDC, 1A				
	Contact rating		10A, 240VAC / 24VDC				
	Max. carrying current *1		14A				
	Max. switching voltage		250VAC, 150 VDC				
	Max. switching power		2,400VA, 240W				
	Max. inrush current (at lamp load)		78A, 120VAC	-			
	Min. switching load *2		100 mA, 5 VDC (M, 5, E), 10mA 5 VDC (VS-)				
Life	Mechanical		Min. 20 x 10 <sup>6</sup> operations				
	Electrical	Contact rating	Min. 100 x 10 <sup>3</sup> operations				
		Motor	Min. 30 x 10 <sup>3</sup> operations				
		Lamp	Min. 50 x 10 <sup>3</sup> operations (at 78A, 120VAC, lamp) Min. 15 x 10 <sup>3</sup> operations (high sensitive type)	-			
Coil Data	Rated power (at 20 °C)		700-750 mW standard type, 530 mW high sensitive type				
	Operate power (at 20 °C)		350-370 mW standard type, 350 mW high sensitive type				
	Operating temperature range		-40 °C to +85 °C standard type, 40 °C to +75 °C high sensitive type (no frost)				
Timing Data	Operate (at nominal voltage)		Max. 15 ms (without bounce)				
	Release (at nominal voltage)		Max. 10 ms (no diode)				
Insulation	Resistance (initial)		Min. 1,000MOhm at 500VDC				
	Dielectric strength	Open contacts	1,000VAC (50/60Hz) 1min., 10mA detection current				
		Contacts to coil	5,000VAC (50/60Hz) 1min., 10mA detection current				
	Surge strength	Coil to contacts	10,000V, 1.2 x 50µs standard wave				
	Clearance		8 mm				
	Creepage		8 mm				
	EN61810-1, VDE0435	Voltage	250 V				
		Pollution degree	2				
	Material group	III					
Other	Vibration resistance	Misoperation	10 to 55Hz double amplitude 1.5 mm				
		Endurance	10 to 55Hz double amplitude 1.5 mm				
	Shock	Misoperation	Min. 100m/s <sup>2</sup> (11 ± 1ms)				
		Endurance	Min. 1,000m/s <sup>2</sup> (6 ± 1ms)				
	Weight		Approximately 17 g				

\*1 When max. carrying current is more than 10A, PCB layout needs to be considered.

\*2 Minimum switching loads mentioned above are reference values. Please perform the confirmation test with actual load before production since reference values may vary according to switching frequencies, environmental conditions and expected reliability levels.

# VS SERIES

## ■ COIL RATING

Standard type

Coil Code	Rated Coil Voltage (VDC)	Coil Resistance +/- 10% (Ohm)	Must Operate Voltage (VDC) *1	Must Release-Voltage (VDC) *1	Max. Coil Voltage (VDC)	Rated Power (mW)
3	3	12.5	2.1	0.3	4.95	720
5	5	36	3.5	0.5	8.25	700
6	6	50	4.2	0.6	9.90	720
9	9	115	6.3	0.9	14.85	700
12	12	200	8.4	1.2	19.8	720
14	14	280	9.8	1.4	23.1	700
18	18	460	12.6	1.8	29.7	
24	24	820	16.8	2.4	39.6	
36	36	1,850	25.2	3.6	59.4	
48	48	3,300	33.6	4.8	79.2	
60	60	5,100	42	6	99	
100	100	13,400	70	10	165	750

High sensitive type (250 mW)

Coil Code	Rated Coil Voltage (VDC)	Coil Resistance +/- 10% (Ohm)	Must Operate Voltage (VDC) *1	Must Release-Voltage (VDC) *1	Max. Coil Voltage (VDC)	Rated Power (mW)
3	3	17	2.1	0.3	4.95	530
5	5	47	3.5	0.5	8.25	
6	6	68	4.2	0.6	9.90	
9	9	115	6.3	0.9	14.85	
12	12	270	8.4	1.2	19.8	
14	14	370	9.8	1.4	23.1	
18	18	610	12.6	1.8	29.7	
24	24	1,000	16.8	2.4	39.6	
36	36	2,450	25.2	3.6	59.4	
48	48	4,400	33.6	4.8	79.2	
60	60	6,800	42	6	99	
100	100	18,860	70	10	165	

Note: All values in the table are valid for 20°C and zero contact current.

\* Specified operate values are valid for pulse wave voltage.

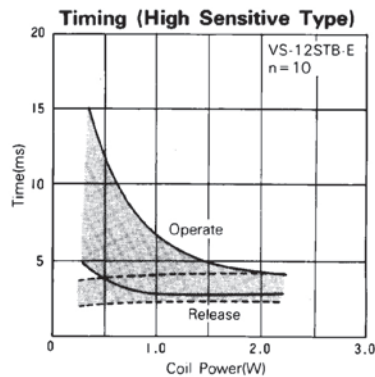
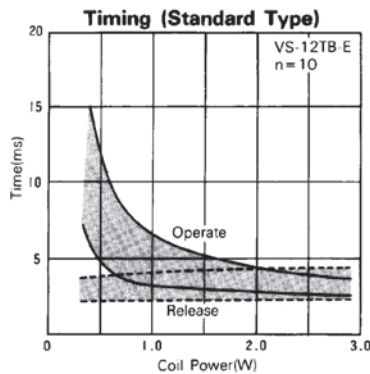
# VS SERIES

## ■ SAFETY STANDARDS

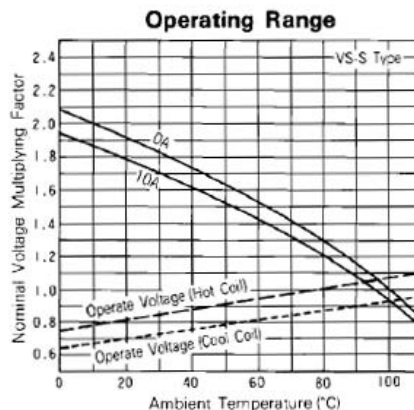
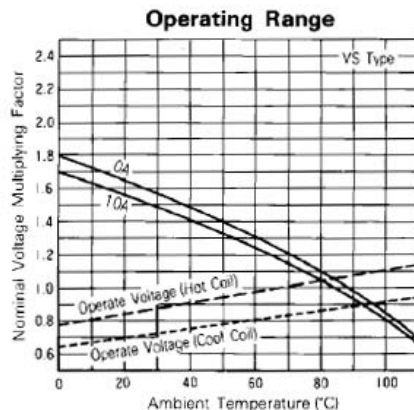
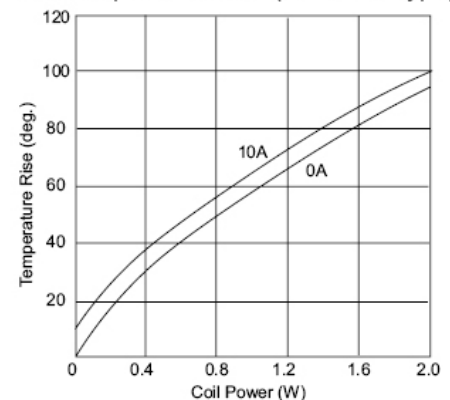
Type	Compliance	Contact rating
UL	UL 508	Flammability: UL 94-V0 (plastics)
	E 56140	[TV-rating VS-( )M, SM, M-N] 10A, 240VAC/24VDC (resistive)
CSA	C22.2 No. 14	1/3 hp, 240VAC/120VAC Pilot duty: C150 TV-5 120 VAC
	LR 35579	[UN, SU-N] 15A, 120VAC/24VDC (resistive) 10A, 240VAC (resistive) 1/3 hp, 240VAC/120VAC Pilot duty: B150 [VS-( ) ( ) U-( ), ( )S( ) U-( )] 10A, 240VAC/24VDC (resistive) 1/3 hp, 240VAC/120VAC Pilot duty: C150
VDE	0435, 0631, 0700, 0860	10A, 250VAC, $\cos \phi 1$ 2.9A, 250VAC, $\cos \phi 0.4$
	40014665	10A, 24VDC, 0msec

Also complies with SEV, SEMKO, NEMKO, DEMKO, FIMKO, CQC

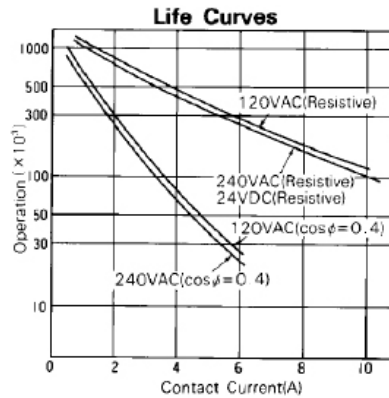
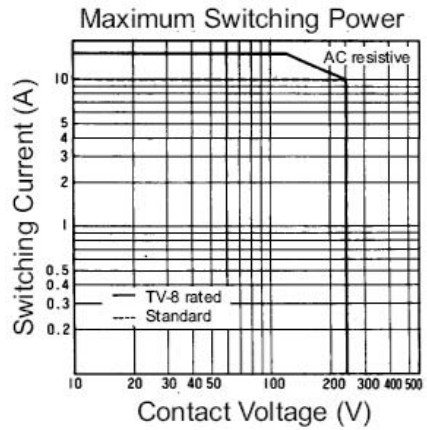
## ■ CHARACTERISTIC DATA



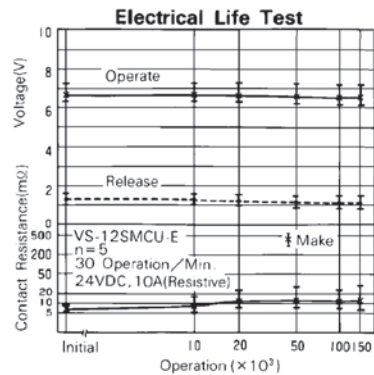
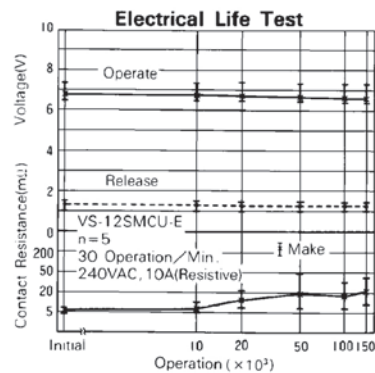
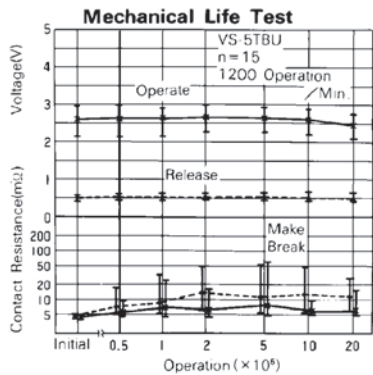
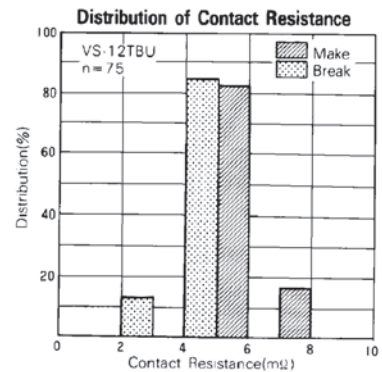
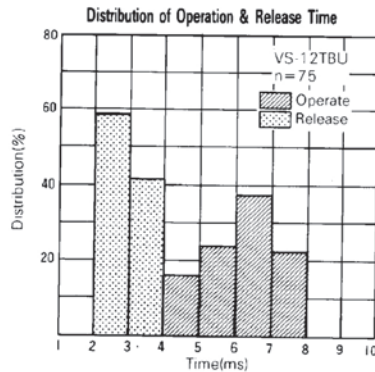
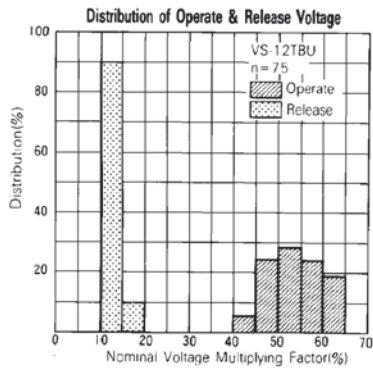
Coil Temperature Rise (Standard Type)



# VS SERIES



## ■ REFERENCE DATA

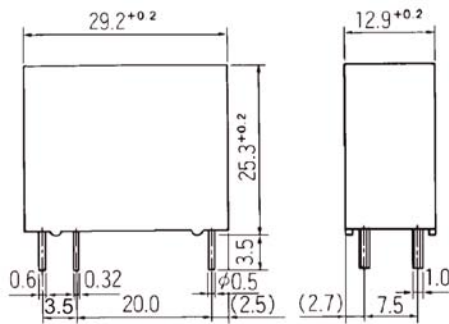


# VS SERIES

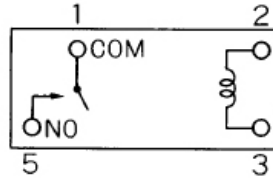
## ■ DIMENSIONS

- Dimensions

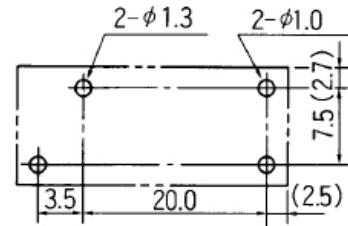
VS-MB type flux proof type



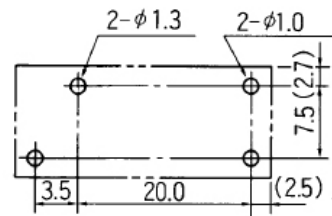
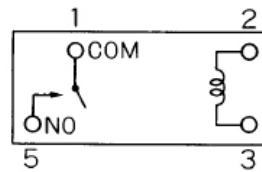
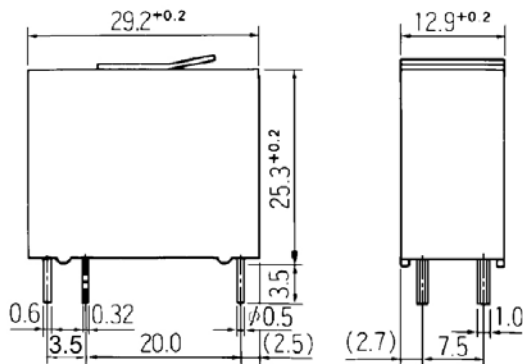
- Schematics (BOTTOM VIEW)



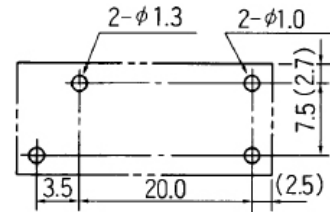
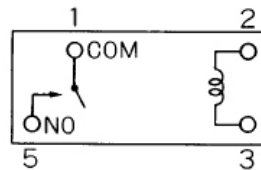
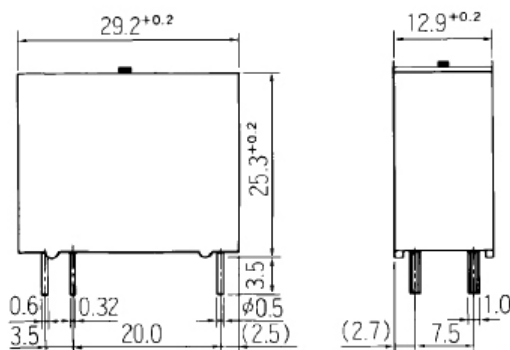
- PC board mounting hole layout (BOTTOM VIEW)



VS-MC type (plastic sealed type with tape)



VS-MK type (Plastic sealed type)



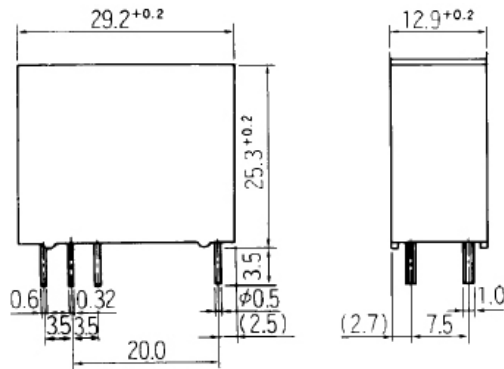
Unit: mm

# VS SERIES

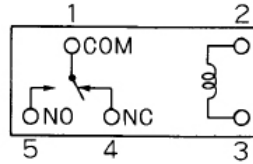
## ■ DIMENSIONS

- Dimensions

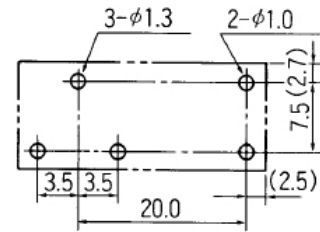
VS-TB type (Flux proof type)



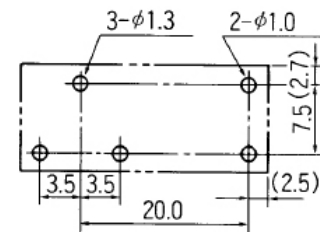
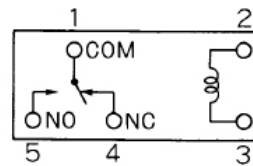
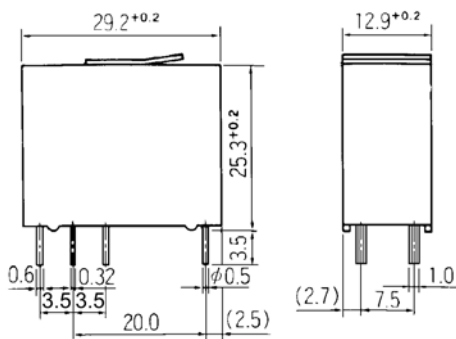
- Schematics (BOTTOM VIEW)



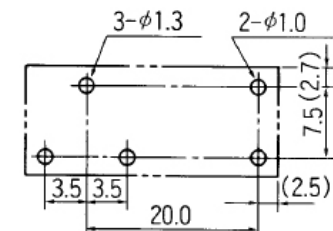
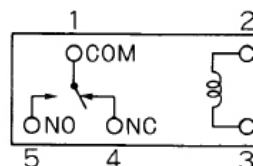
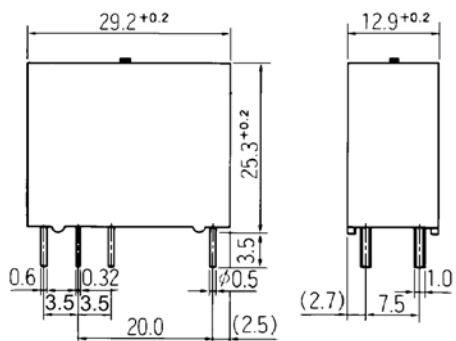
- PC board mounting hole layout (BOTTOM VIEW)



VS-TC type (Plastic sealed type with tape)



VS-TK type (Plastic sealed type)



Unit: mm

## RoHS Compliance and Lead Free Information

### 1. General Information

- All signal and power relays produced by Fujitsu Components are compliant with RoHS directive 2002/95/EC including amendments.
- Cadmium as used in electrical contacts is exempted from the RoHS directives on October 21st, 2005. (Amendment to Directive 2002/95/EC)
- All of our signal and power relays are lead-free. Please refer to Lead-Free Status Info for older date codes at: <http://www.fujitsu.com/us/downloads/MICRO/fcai/relays/lead-free-letter.pdf>
- Lead free solder plating on relay terminals is Sn-3.0Ag-0.5Cu, unless otherwise specified. This material has been verified to be compatible with PbSn assembly process.

### 2. Recommended Lead Free Solder Profile

- Recommended solder Sn-3.0Ag-0.5Cu.

**Flow Solder condition:**

Pre-heating: maximum 120°C  
Soldering: dip within 5 sec. at  
260°C solder bath

**Solder by Soldering Iron:**

Soldering Iron  
Temperature: maximum 360°C  
Duration: maximum 3 sec.

**We highly recommend that you confirm your actual solder conditions**

### 3. Moisture Sensitivity

- Moisture Sensitivity Level standard is not applicable to electromechanical relays, unless otherwise indicated.

### 4. Tin Whiskers

- Dipped SnAgCu solder is known as presenting a low risk to tin whisker development. No considerable length whisker was found by our in house test.



## Fujitsu Components International Headquarter Offices

### Japan

Fujitsu Component Limited  
Gotanda-Chuo Building  
3-5, Higashigotanda 2-chome, Shinagawa-ku  
Tokyo 141, Japan  
Tel: (81-3) 5449-7010  
Fax: (81-3) 5449-2626  
Email: [promothq@ft.ed.fujitsu.com](mailto:promothq@ft.ed.fujitsu.com)  
Web: [www.fcl.fujitsu.com](http://www.fcl.fujitsu.com)

### North and South America

Fujitsu Components America, Inc.  
250 E. Caribbean Drive  
Sunnyvale, CA 94089 U.S.A.  
Tel: (1-408) 745-4900  
Fax: (1-408) 745-4970  
Email: [components@us.fujitsu.com](mailto:components@us.fujitsu.com)  
Web: <http://us.fujitsu.com/components>

### Europe

Fujitsu Components Europe B.V.  
Diamantlaan 25  
2132 WV Hoofddorp  
Netherlands  
Tel: (31-23) 5560910  
Fax: (31-23) 5560950  
Email: [info@fceu.fujitsu.com](mailto:info@fceu.fujitsu.com)  
Web: [emea.fujitsu.com/components/](http://emea.fujitsu.com/components/)

### Asia Pacific

Fujitsu Components Asia Ltd.  
102E Pasir Panjang Road  
#01-01 Citilink Warehouse Complex  
Singapore 118529  
Tel: (65) 6375-8560  
Fax: (65) 6273-3021  
Email: [fcal@fcal.fujitsu.com](mailto:fcal@fcal.fujitsu.com)  
Web: <http://www.fujitsu.com/sg/services/micro/components/>

©2011 Fujitsu Components Europe B.V. All rights reserved. All trademarks or registered trademarks are the property of their respective owners.

The contents, data and information in this datasheet are provided by Fujitsu Component Ltd. as a service only to its user and only for general information purposes.

The use of the contents, data and information provided in this datasheet is at the users' own risk.

Fujitsu has assembled this datasheet with care and will endeavor to keep the contents, data and information correct, accurate, comprehensive, complete and up to date.

Fujitsu Components Europe B.V. and affiliated companies do however not accept any responsibility or liability on their behalf, nor on behalf of its employees, for any loss or damage, direct, indirect or consequential, with respect to this datasheet, its contents, data, and information and related graphics and the correctness, reliability, accuracy, comprehensiveness, usefulness, availability and completeness thereof.

Nor do Fujitsu Components Europe B.V. and affiliated companies accept on their behalf, nor on behalf of its employees, any responsibility or liability for any representation or warrant of any kind, express or implied, including warranties of any kind for merchantability or fitness for particular use, with respect to these datasheets, its contents, data, information and related graphics and the correctness, reliability, accuracy, comprehensiveness, usefulness, availability and completeness thereof. Rev. March 02, 2011