

Mustang Toggle Switches



Specifications:

Contact rating:	250 V AC, 3 A / 125 V AC, 6 A 30 V DC, 4 A / 12 V DC, 5 A 6 V DC, 6 A
Contact resistance:	< 20 mΩ
Insulation resistance:	> 1000 MΩ at 500 V DC
Dielectric strength:	1500 V, 50 Hz for the duration of 1 minute
Operating temperature:	- 20° to + 85° C
Mechanical life:	minimum 100 000 operations
Contacts:	coin silver (common contact copper alloy, silver-plated) also available gold-plated version B and G (see page 4)
Terminals:	solder tags, copper alloy silver-plated further terminal versions see page 8
Material:	case: diallyle-phthalate, meets UL 94 V-0, green lever: chromium-plated, metal parts: nickel-plated
Mounting:	bushing 15/32-32 THD with locking plate (M 12 x 0,75), key 14 mm
Soldering conditions:	hand-soldering – max.: 60 W, 3 sec, 420° C auto-soldering – max.: 5 sec, 270° C

Accessories:

Plastic caps (height 12,7 mm)

orange	C 2103
blue	C 2104
black	C 2105
green	C 2106
grey	C 2107
yellow	C 2108
red	C 2109
white	C 2110



Waterproof sealing cap (height 21,4 mm)

grey	ET 307
------	--------



Waterproof sealing cap (height 11 mm)

grey	ET 507
------	--------





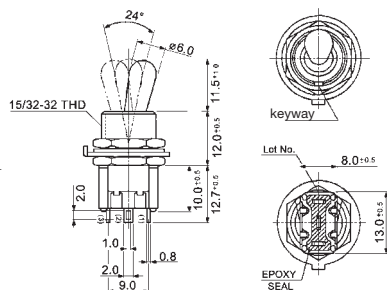
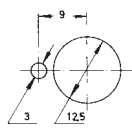
Mustang Toggle Switches

Models: Switching functions

SPDT



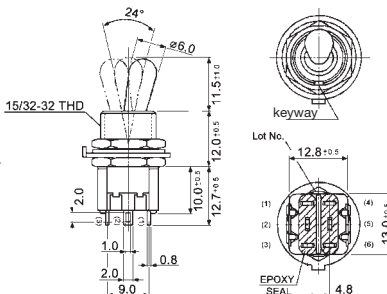
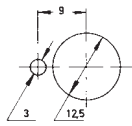
STG 106 D	on	-	on
STG 106 E	on	off	on
STG 106 F	mom	-	on
STG 106 G	mom	off	mom
STG 106 H	mom	off	on



DPDT

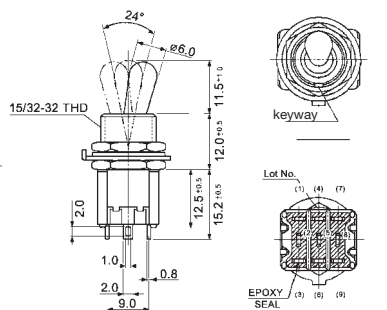
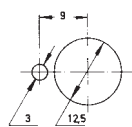
STG 206 N	on	-	on
STG 206 P	on	off	on
STG 206 R	mom	-	on
STG 206 S	mom	off	mom
STG 206 T	mom	off	on
STG 206 PA*	on	on	on
STG 206 SA*	mom	on	mom
STG 206 TA*	mom	on	on

measures: a = 9, b = 13 ± 1



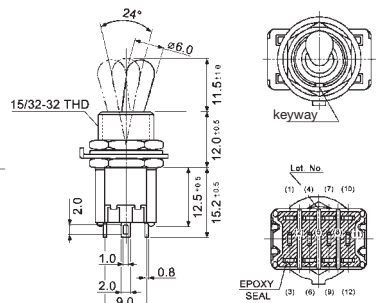
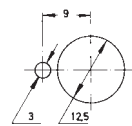
3PDT

STG 306 D	on	-	on
STG 306 E*	on	off	on
STG 306 F*	mom	-	on
STG 306 G*	mom	off	mom
STG 306 H*	mom	off	on



4PDT

STG 406 N	on	-	on
STG 406 P*	on	off	on
STG 406 R*	mom	-	on
STG 406 S*	mom	off	mom
STG 406 T*	mom	off	on
STG 406 PA*	on	on	on
STG 406 SA*	mom	on	mom
STG 406 TA*	mom	on	on



* Non-stock item; minimum quantity and delivery time on request.