

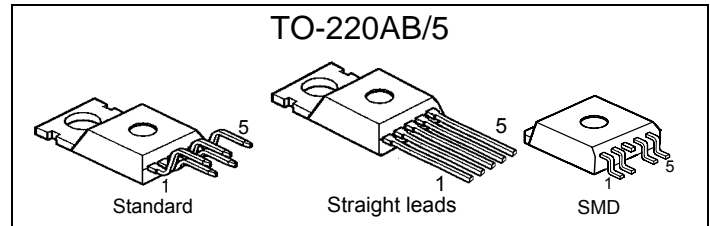
Smart Highside Power Switch

Features

- Overload protection
- Current limitation
- Short circuit protection
- Thermal shutdown
- Overvoltage protection (including load dump)
- Fast demagnetization of inductive loads
- Reverse battery protection¹⁾
- Undervoltage and overvoltage shutdown with auto-restart and hysteresis
- Open drain diagnostic output
- Open load detection in ON-state
- CMOS compatible input
- Loss of ground and loss of V_{bb} protection
- **Electrostatic discharge (ESD)** protection

Product Summary

| | | | |
|------------------------|--------------|------------|------------|
| Overvoltage protection | $V_{bb(AZ)}$ | 65 | V |
| Operating voltage | $V_{bb(on)}$ | 4.7 ... 42 | V |
| On-state resistance | R_{ON} | 220 | m Ω |
| Load current (ISO) | $I_{L(ISO)}$ | 1.8 | A |
| Current limitation | $I_{L(SCr)}$ | 2.7 | A |

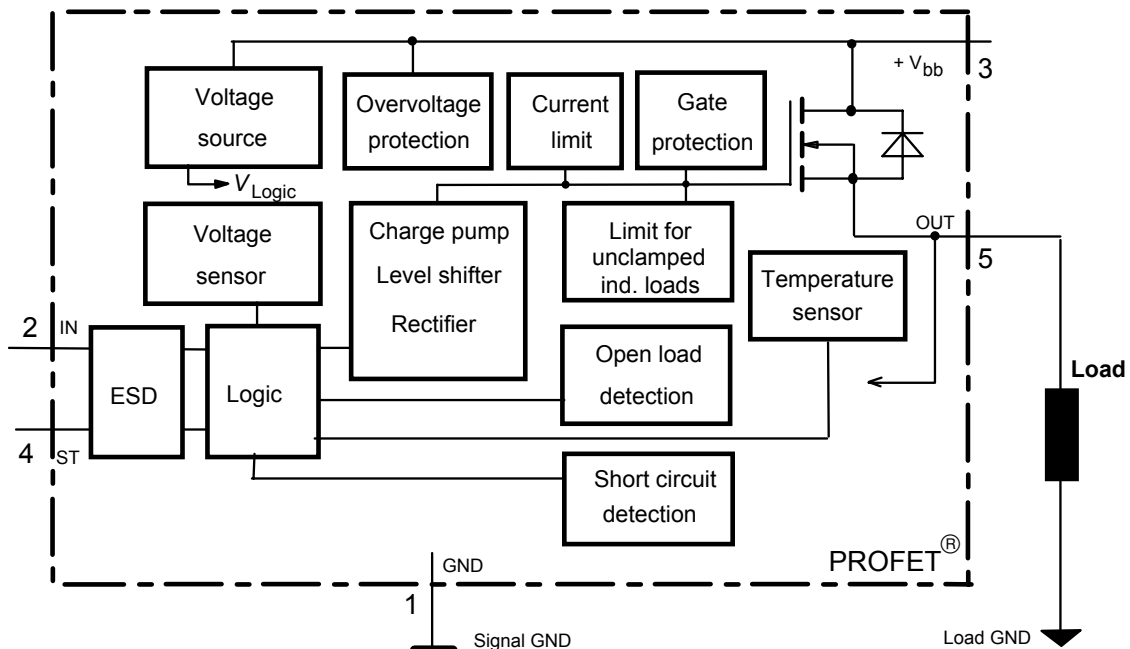


Application

- μ C compatible power switch with diagnostic feedback for 12 V and 24 V DC grounded loads
- Most suitable for inductive loads
- Replaces electromechanical relays, fuses and discrete circuits

General Description

N channel vertical power FET with charge pump, ground referenced CMOS compatible input and diagnostic feedback, monolithically integrated in Smart SIPMOS[®] technology. Providing embedded protective functions.



¹⁾ With external current limit (e.g. resistor $R_{GND}=150 \Omega$) in GND connection, resistors in series with IN and ST connections, reverse load current limited by connected load.

| Pin | Symbol | | Function |
|-----|------------------|---|--|
| 1 | GND | - | Logic ground |
| 2 | IN | I | Input, activates the power switch in case of logical high signal |
| 3 | V _{bb} | + | Positive power supply voltage, the tab is shorted to this pin |
| 4 | ST | S | Diagnostic feedback, low on failure |
| 5 | OUT (Load, L) | O | Output to the load |

Maximum Ratings at $T_j = 25\text{ °C}$ unless otherwise specified

| Parameter | Symbol | Values | Unit |
|---|----------------------------------|--------------|------|
| Supply voltage (overvoltage protection see page 3) | V_{bb} | 65 | V |
| Load dump protection ²⁾ $V_{LoadDump} = U_A + V_s$, $U_A = 13.5\text{ V}$ $R_i^3 = 2\ \Omega$, $R_L = 6.6\ \Omega$, $t_d = 400\text{ ms}$, IN= low or high | $V_{Load\ dump}^4)$ | 100 | V |
| Load current (Short circuit current, see page 4) | I_L | self-limited | A |
| Operating temperature range | T_j | -40 ...+150 | °C |
| Storage temperature range | T_{stg} | -55 ...+150 | |
| Power dissipation (DC), $T_C \leq 25\text{ °C}$ | P_{tot} | 50 | W |
| Inductive load switch-off energy dissipation, single pulse $V_{bb} = 12\text{V}$, $T_{j,start} = 150\text{°C}$, $T_C = 150\text{°C}$ const. $I_L = 1.8\text{ A}$, $Z_L = 2.3\text{ H}$, $0\ \Omega$: | E_{AS} | 4.5 | J |
| Electrostatic discharge capability (ESD) (Human Body Model) acc. MIL-STD883D, method 3015.7 and ESD assn. std. S5.1-1993 | IN: V_{ESD} all other pins: | 1 2 | kV |
| Input voltage (DC) | V_{IN} | -0.5 ... +6 | V |
| Current through input pin (DC) | I_{IN} | ± 5.0 | mA |
| Current through status pin (DC) | I_{ST} | ± 5.0 | |
| see internal circuit diagrams page 6 | | | |

Thermal Characteristics

| Parameter and Conditions | Symbol | Values | | | Unit |
|--|------------|--------|-----|-----|------|
| | | min | typ | max | |
| Thermal resistance chip - case: | R_{thJC} | -- | -- | 2.5 | K/W |
| junction - ambient (free air): | R_{thJA} | -- | -- | 75 | |
| SMD version, device on PCB ⁵⁾ : | | -- | 35 | -- | |

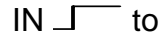

²⁾ Supply voltages higher than $V_{bb(AZ)}$ require an external current limit for the GND and status pins, e.g. with a 150 Ω resistor in the GND connection and a 15 k Ω resistor in series with the status pin. A resistor for the protection of the input is integrated.

³⁾ R_i = internal resistance of the load dump test pulse generator

⁴⁾ $V_{Load\ dump}$ is setup without the DUT connected to the generator per ISO 7637-1 and DIN 40839

⁵⁾ Device on 50mm*50mm*1.5mm epoxy PCB FR4 with 6cm² (one layer, 70 μ m thick) copper area for V_{bb} connection. PCB is vertical without blown air.

Electrical Characteristics

| Parameter and Conditions at $T_j = 25^\circ\text{C}$, $V_{bb} = 12\text{ V}$ unless otherwise specified | Symbol | Values | | | Unit |
|--|------------------|--------|------------|------------|------------------|
| | | min | typ | max | |
| Load Switching Capabilities and Characteristics | | | | | |
| On-state resistance (pin 3 to 5) $I_L = 1.6\text{ A}$ | R_{ON} | -- | 190 390 | 220 440 | m Ω |
| Nominal load current, ISO Norm (pin 3 to 5) $V_{ON} = 0.5\text{ V}$, $T_C = 85^\circ\text{C}$ | $I_{L(ISO)}$ | 1.6 | 1.8 | -- | A |
| Output current (pin 5) while GND disconnected or GND pulled up, $V_{bb}=30\text{ V}$, $V_{IN}=0$, see diagram page 7, $T_j = -40\dots+150^\circ\text{C}$ | $I_{L(GNDhigh)}$ | -- | -- | 1 | mA |
| Turn-on time IN  to 90% V_{OUT} : | t_{on} | 12 | -- | 125 | μs |
| Turn-off time IN  to 10% V_{OUT} : | t_{off} | 5 | -- | 85 | μs |
| $R_L = 12\ \Omega$, $T_j = -40\dots+150^\circ\text{C}$ | | | | | |
| Slew rate on 10 to 30% V_{OUT} , $R_L = 12\ \Omega$, $T_j = -40\dots+150^\circ\text{C}$ | dV/dt_{on} | -- | -- | 3 | V/ μs |
| Slew rate off 70 to 40% V_{OUT} , $R_L = 12\ \Omega$, $T_j = -40\dots+150^\circ\text{C}$ | $-dV/dt_{off}$ | -- | -- | 6 | V/ μs |

Operating Parameters

| | | | | | | |
|---|--------------------------------------|------------------------|-----|-----|-----|---------------|
| Operating voltage ⁶⁾ | $T_j = -40\dots+150^\circ\text{C}$: | $V_{bb(on)}$ | 4.7 | -- | 42 | V |
| Undervoltage shutdown | $T_j = 25^\circ\text{C}$: | $V_{bb(under)}$ | 2.9 | -- | 4.5 | V |
| | $T_j = -40\dots+150^\circ\text{C}$: | | 2.7 | -- | 4.7 | |
| Undervoltage restart | $T_j = -40\dots+150^\circ\text{C}$: | $V_{bb(u\ rst)}$ | -- | -- | 4.9 | V |
| Undervoltage restart of charge pump see diagram page 13 | | $V_{bb(ucp)}$ | -- | 5.6 | 6.0 | V |
| Undervoltage hysteresis $\Delta V_{bb(under)} = V_{bb(u\ rst)} - V_{bb(under)}$ | | $\Delta V_{bb(under)}$ | -- | 0.1 | -- | V |
| Overvoltage shutdown | $T_j = -40\dots+150^\circ\text{C}$: | $V_{bb(over)}$ | 42 | -- | 52 | V |
| Overvoltage restart | $T_j = -40\dots+150^\circ\text{C}$: | $V_{bb(o\ rst)}$ | 40 | -- | -- | V |
| Overvoltage hysteresis | $T_j = -40\dots+150^\circ\text{C}$: | $\Delta V_{bb(over)}$ | -- | 0.1 | -- | V |
| Overvoltage protection ⁷⁾ | $T_j = -40\dots+150^\circ\text{C}$: | $V_{bb(AZ)}$ | 65 | 70 | -- | V |
| $I_{bb}=4\text{ mA}$ | | | | | | |
| Standby current (pin 3) $V_{IN}=0$ | $T_j = -40\dots+25^\circ\text{C}$: | $I_{bb(off)}$ | -- | 10 | 15 | μA |
| | $T_j = 150^\circ\text{C}$: | | -- | 18 | 25 | |
| Leakage output current (included in $I_{bb(off)}$) $V_{IN}=0$ | | $I_{L(off)}$ | -- | -- | 20 | μA |
| Operating current (Pin 1) ⁸⁾ , $V_{IN}=5\text{ V}$, $T_j = -40\dots+150^\circ\text{C}$ | | I_{GND} | -- | 1 | 2.1 | mA |

⁶⁾ At supply voltage increase up to $V_{bb}=5.6\text{ V}$ typ without charge pump, $V_{OUT} \approx V_{bb} - 2\text{ V}$

⁷⁾ Measured with load. See also $V_{ON(CL)}$ in table of protection functions and circuit diagram page 7.

⁸⁾ Add I_{ST} , if $I_{ST} > 0$, add I_{IN} , if $V_{IN} > 5.5\text{ V}$

| Parameter and Conditions at $T_j = 25\text{ }^\circ\text{C}$, $V_{bb} = 12\text{ V}$ unless otherwise specified | Symbol | Values | | | Unit |
|---|-----------------|--------|-----|-----|------------------|
| | | min | typ | max | |
| Protection Functions⁹⁾ | | | | | |
| Initial peak short circuit current limit (pin 3 to 5) ¹⁰⁾ , (max 450 μs if $V_{ON} > V_{ON(SC)}$) | $I_{L(SCp)}$ | | | | |
| $T_j = -40\text{ }^\circ\text{C}$: | | 4.0 | -- | 11 | A |
| $T_j = 25\text{ }^\circ\text{C}$: | | 3.5 | 5.5 | 10 | |
| $T_j = +150\text{ }^\circ\text{C}$: | | 2.0 | 3.5 | 7.5 | |
| Overload shutdown current limit | $I_{L(SCr)}$ | | | | |
| $V_{ON} = 8\text{ V}$, $T_j = T_{jt}$ (see timing diagrams, page 11) | | -- | 2.7 | -- | A |
| Short circuit shutdown delay after input pos. slope $V_{ON} > V_{ON(SC)}$, min value valid only, if input "low" time exceeds 60 μs | $t_{d(SC)}$ | -- | -- | 450 | μs |
| Output clamp (inductive load switch off) at $V_{OUT} = V_{bb} - V_{ON(CL)}$ $I_L = 40\text{ mA}$, $T_j = -40\text{ }^\circ\text{C}..+150\text{ }^\circ\text{C}$: | $V_{ON(CL)}$ | 61 | 68 | 73 | V |
| $I_L = 1\text{ A}$, $T_j = -40\text{ }^\circ\text{C}..+150\text{ }^\circ\text{C}$: | | -- | -- | 75 | |
| Short circuit shutdown detection voltage(pin 3 to 5) | $V_{ON(SC)}$ | -- | 8.5 | -- | V |
| Thermal overload trip temperature | T_{jt} | 150 | -- | -- | $^\circ\text{C}$ |
| Thermal hysteresis | ΔT_{jt} | -- | 10 | -- | K |
| Reverse battery (pin 3 to 1) ¹¹⁾ | $-V_{bb}$ | -- | -- | 32 | V |



Diagnostic Characteristics

| | | | | | | |
|---|--|-------------|---|----|-----|----|
| Open load detection current (on-condition) | $T_j = -40\text{ }^\circ\text{C}..150\text{ }^\circ\text{C}$: | $I_{L(OL)}$ | 2 | -- | 150 | mA |
|---|--|-------------|---|----|-----|----|

⁹⁾ Integrated protection functions are designed to prevent IC destruction under fault conditions described in the data sheet. Fault conditions are considered as "outside" normal operating range. Protection functions are not designed for continuous repetitive operation.

¹⁰⁾ Short circuit current limit for max. duration of $t_{d(SC)} \text{ max} = 450\text{ } \mu\text{s}$, prior to shutdown

¹¹⁾ Requires 150 Ω resistor in GND connection. The reverse load current through the intrinsic drain-source diode has to be limited by the connected load. Note that the power dissipation is higher compared to normal operating conditions due to the voltage drop across the intrinsic drain-source diode. The temperature protection is not active during reverse current operation! Input and Status currents have to be limited (see max. ratings page 2 and circuit page 7).

| Parameter and Conditions at $T_j = 25\text{ °C}$, $V_{bb} = 12\text{ V}$ unless otherwise specified | Symbol | Values | | | Unit |
|--|--------------------|--------|-----|------|---------------|
| | | min | typ | max | |
| Input and Status Feedback¹²⁾ | | | | | |
| Input turn-on threshold voltage  $T_j = -40..+150\text{ °C}$ | $V_{IN(T+)}$ | 1.5 | -- | 2.4 | V |
| Input turn-off threshold voltage  $T_j = -40..+150\text{ °C}$ | $V_{IN(T-)}$ | 1.0 | -- | -- | V |
| Input threshold hysteresis | $\Delta V_{IN(T)}$ | -- | 0.5 | -- | V |
| Off state input current (pin 2), $V_{IN} = 0.4\text{ V}$ | $I_{IN(off)}$ | 1 | -- | 30 | μA |
| On state input current (pin 2), $V_{IN} = 5\text{ V}$ | $I_{IN(on)}$ | 10 | 25 | 70 | μA |
| Status invalid after positive input slope (short circuit) $T_j = -40 \dots +150\text{ °C}$: | $t_{d(ST\ SC)}$ | -- | -- | 450 | μs |
| Status invalid after positive input slope (open load) $T_j = -40 \dots +150\text{ °C}$: | $t_{d(ST)}$ | 300 | -- | 1400 | μs |
| Status output (open drain) | | | | | |
| Zener limit voltage $T_j = -40\dots+150\text{ °C}$, $I_{ST} = +50\text{ uA}$: | $V_{ST(high)}$ | 5.0 | 6 | -- | V |
| ST low voltage $T_j = -40\dots+150\text{ °C}$, $I_{ST} = +1.6\text{ mA}$: | $V_{ST(low)}$ | -- | -- | 0.4 | |

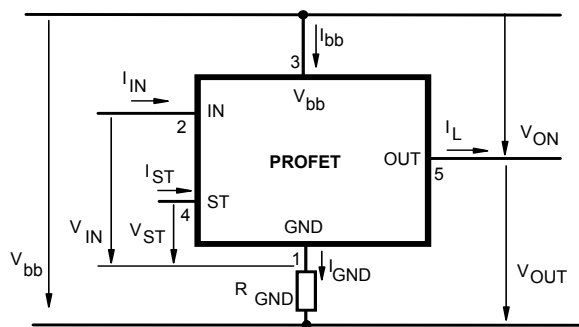
¹²⁾ If a ground resistor R_{GND} is used, add the voltage drop across this resistor.

Truth Table

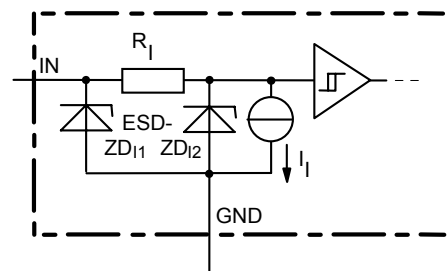
| | Input-level | Output level | Status | | | | |
|----------------------------------|-------------|------------------|------------------|-----------------------|-----------------------|-----------------------|--------|
| | | | 412 B2 | 410 D2 | 410 E2/F2 | 410 G2 | 410 H2 |
| Normal operation | L | L | H | H | H | H | H |
| | H | H | H | H | H | H | H |
| Open load | L | L ¹³⁾ | L | H | H | H | L |
| | H | H | H | L | L | L | H |
| Short circuit to GND | L | L | H | H | H | H | H |
| | H | L | L | L | L | H | L |
| Short circuit to V _{bb} | L | H | L | H | H | H | L |
| | H | H | H | H (L ¹⁴⁾) | H (L ¹⁴⁾) | H (L ¹⁴⁾) | H |
| Overtemperature | L | L | L | L | L | L | L |
| | H | L | L | L | L | L | L |
| Under-voltage | L | L | L ¹⁵⁾ | L ¹⁵⁾ | H | H | H |
| | H | L | L ¹⁵⁾ | L ¹⁵⁾ | H | H | H |
| Overvoltage | L | L | L | L | H | H | H |
| | H | L | L | L | H | H | H |

L = "Low" Level X = don't care Z = high impedance, potential depends on external circuit
H = "High" Level Status signal after the time delay shown in the diagrams (see fig 5. page 12...13)

Terms



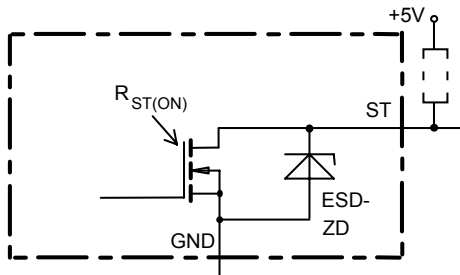
Input circuit (ESD protection)



ZD11 6 V typ., ESD zener diodes are not to be used as voltage clamp at DC conditions. Operation in this mode may result in a drift of the zener voltage (increase of up to 1 V).

¹³⁾ Power Transistor off, high impedance, versions BTS 410H, BTS 412B: internal pull up current source for open load detection.
¹⁴⁾ Low resistance short V_{bb} to output may be detected in ON-state by the no-load-detection
¹⁵⁾ No current sink capability during undervoltage shutdown

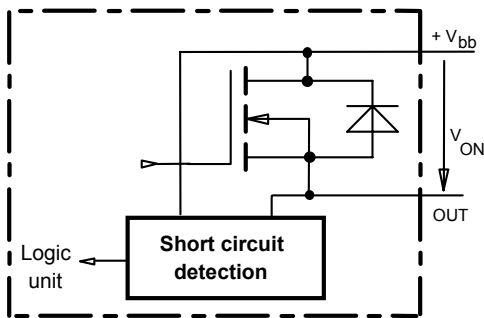
Status output



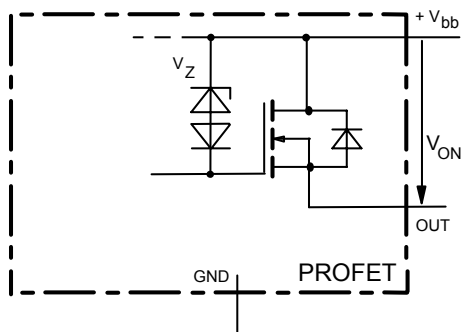
ESD-Zener diode: 6 V typ., max 5 mA;
 $R_{ST(ON)} < 250 \Omega$ at 1.6 mA, ESD zener diodes are not to be used as voltage clamp at DC conditions.
 Operation in this mode may result in a drift of the zener voltage (increase of up to 1 V).

Short circuit detection

Fault Condition: $V_{ON} > 8.5 \text{ V typ.};$ IN high

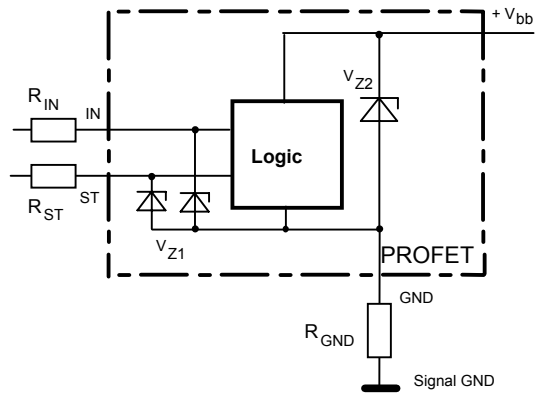


Inductive and overvoltage output clamp



V_{ON} clamped to 68 V typ.

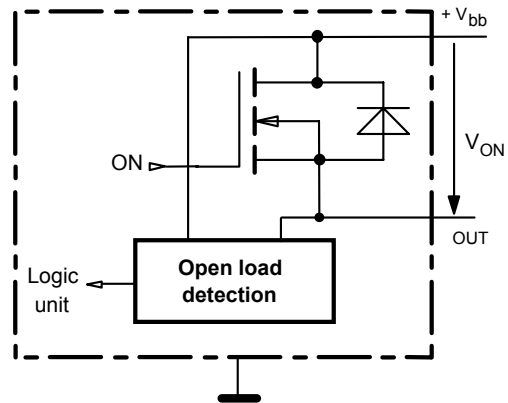
Overvolt. and reverse batt. protection



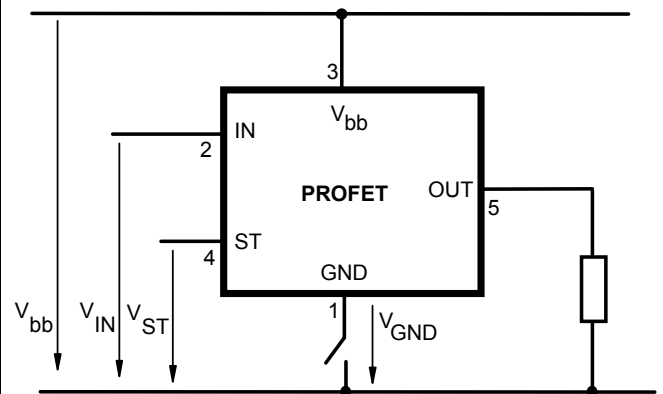
$V_{Z1} = 6.2 \text{ V typ.}, V_{Z2} = 70 \text{ V typ.}, R_{GND} = 150 \Omega, R_{IN}, R_{ST} = 15 \text{ k}\Omega$

Open-load detection

ON-state diagnostic condition: $V_{ON} < R_{ON} * I_{L(OL)};$ IN high

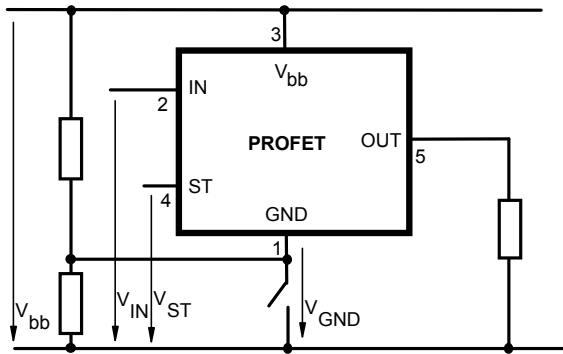


GND disconnect



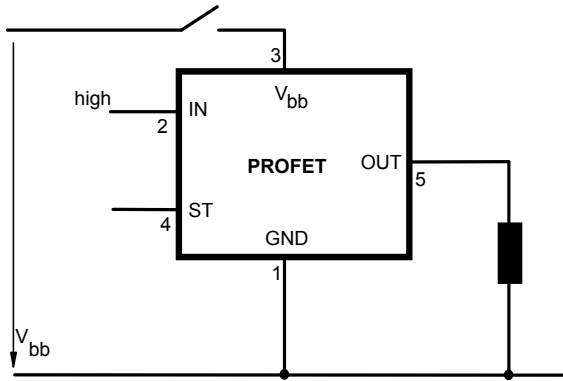
Any kind of load. In case of Input=high is $V_{OUT} \approx V_{IN} - V_{IN(T+)}.$
 Due to $V_{GND} > 0,$ no $V_{ST} = \text{low}$ signal available.

GND disconnect with GND pull up



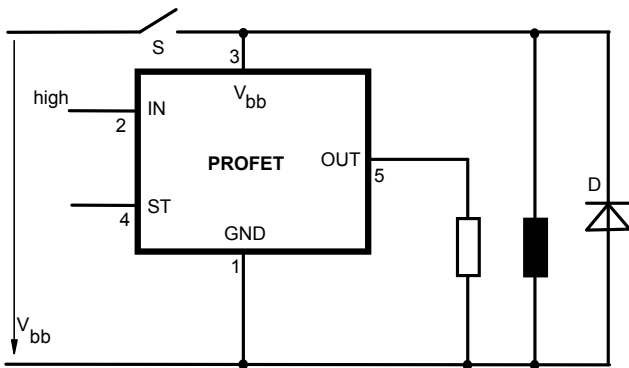
Any kind of load. If $V_{GND} > V_{IN} - V_{IN(T+)}$ device stays off
 Due to $V_{GND} > 0$, no V_{ST} = low signal available.

Vbb disconnect with energized inductive load



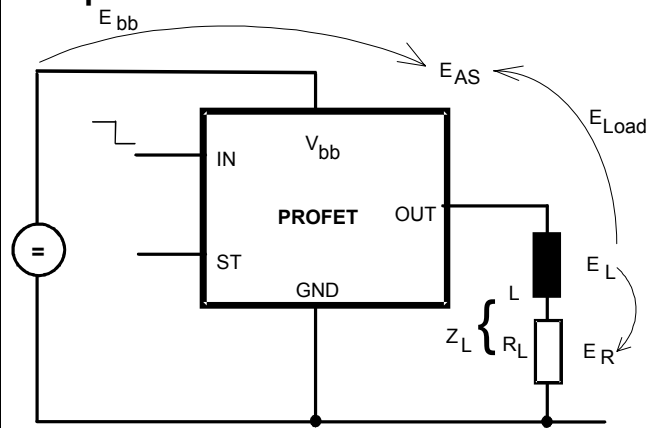
Normal load current can be handled by the PROFET itself.

Vbb disconnect with charged external inductive load



If other external inductive loads L are connected to the PROFET, additional elements like D are necessary.

Inductive Load switch-off energy dissipation



Energy stored in load inductance:

$$E_L = 1/2 \cdot L \cdot I_L^2$$

While demagnetizing load inductance, the energy dissipated in PROFET is

$$E_{AS} = E_{bb} + E_L - E_R = V_{ON(CL)} \cdot i_L(t) \, dt,$$

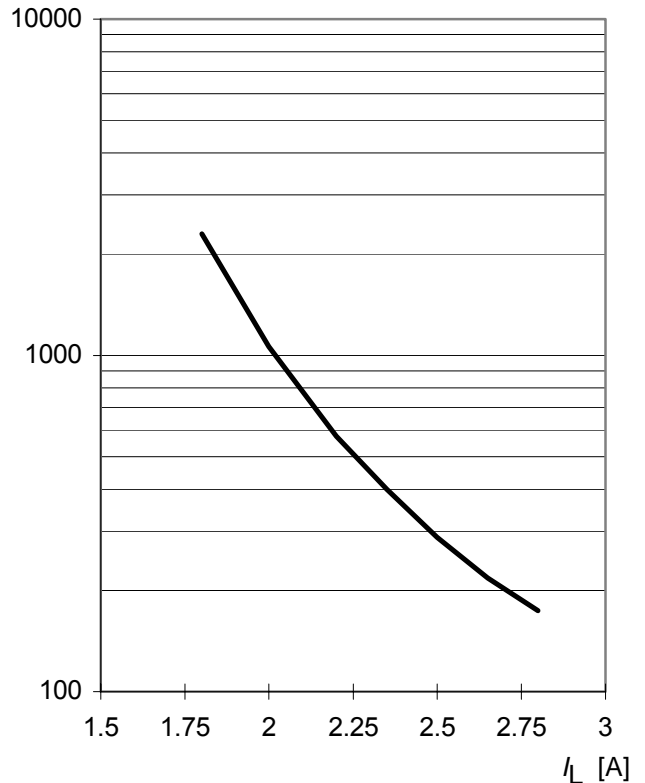
with an approximate solution for $R_L > 0 \Omega$:

$$E_{AS} = \frac{I_L \cdot L}{2 \cdot R_L} \cdot (V_{bb} + |V_{OUT(CL)}|) \cdot \ln \left(1 + \frac{I_L \cdot R_L}{|V_{OUT(CL)}|} \right)$$

Maximum allowable load inductance for a single switch off

$L = f(I_L)$; $T_{j,start} = 150^\circ C$, $T_C = 150^\circ C$ const.,
 $V_{bb} = 12 V$, $R_L = 0 \Omega$

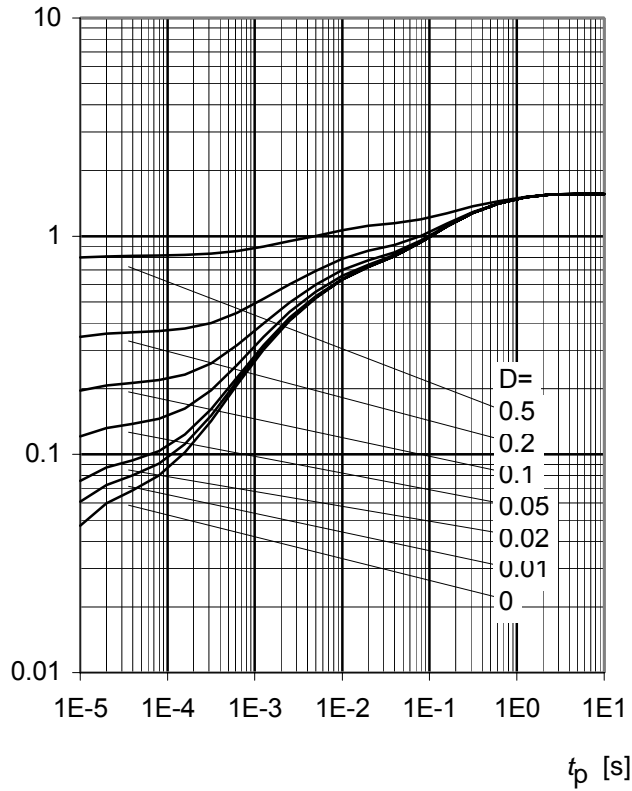
L [mH]



Typ. transient thermal impedance chip case

$$Z_{thJC} = f(t_p, D), D = t_p / T$$

Z_{thJC} [K/W]



Options Overview

all versions: High-side switch, Input protection, ESD protection, load dump and reverse battery protection with 150 Ω in GND connection, protection against loss of ground

| Type | BTS | 412 B2 | 410D2 | 410E2 | 410F2 | 410G2 | 410H2 | 307 | 308 |
|--|-----|--------|------------------|------------------|------------------|------------------|-------|-----|-----|
| Logic version | | B | D | E | F | G | H | | |
| Overtemperature protection with hysteresis | | | | | | | | | |
| $T_j > 150\text{ °C}$, latch function ^{16),17)} | | X | X | | X | | X | | X |
| $T_j > 150\text{ °C}$, with auto-restart on cooling | | | | X | | X | | X | |
| Short circuit to GND protection | | | | | | | | | |
| switches off when $V_{ON} > 3.5\text{ V typ.}$ and $V_{bb} > 7\text{ V typ}^{16)}$ (when first turned on after approx. 150 μs) | | | | | | | X | | X |
| switches off when $V_{ON} > 8.5\text{ V typ.}^{16)}$ (when first turned on after approx. 150 μs) | | X | X | X | X | | | | |
| Achieved through overtemperature protection | | | | | | X | | X | |
| Open load detection | | | | | | | | | |
| in OFF-state with sensing current 30 μA typ. in ON-state with sensing voltage drop across power transistor | | X | | X | X | X | X | X | X |
| Undervoltage shutdown with auto restart | | X | X | X | X | X | X | X | X |
| Overvoltage shutdown with auto restart ¹⁸⁾ | | X | X | X | X | X | X | - | X |
| Status feedback for | | | | | | | | | |
| overtemperature | | X | X | X | X | X | X | X | X |
| short circuit to GND | | X | X | X | X | - | X | X | X |
| short to V_{bb} | | X | - ¹⁹⁾ | - ¹⁹⁾ | - ¹⁹⁾ | - ¹⁹⁾ | X | X | X |
| open load | | X | X | X | X | X | X | X | X |
| undervoltage | | X | X | - | - | - | - | X | - |
| overvoltage | | X | X | - | - | - | - | - | - |
| Status output type | | | | | | | | | |
| CMOS | | X | X | | | | | | |
| Open drain | | | | X | X | X | X | X | X |
| Output negative voltage transient limit (fast inductive load switch off) | | | | | | | | | |
| to $V_{bb} - V_{ON(CL)}$ | | X | X | X | X | X | X | X | X |
| Load current limit | | | | | | | | | |
| high level (can handle loads with high inrush currents) | | X | X | X | | | | | |
| low level (better protection of application) | | | | | X | X | X | X | X |
| Protection against loss of GND | | X | X | X | X | X | X | X | X |

¹⁶⁾ Latch except when $V_{bb} - V_{OUT} < V_{ON(SC)}$ after shutdown. In most cases $V_{OUT} = 0\text{ V}$ after shutdown ($V_{OUT} \neq 0\text{ V}$ only if forced externally). So the device remains latched unless $V_{bb} < V_{ON(SC)}$ (see page 4). No latch between turn on and $t_{d(SC)}$.

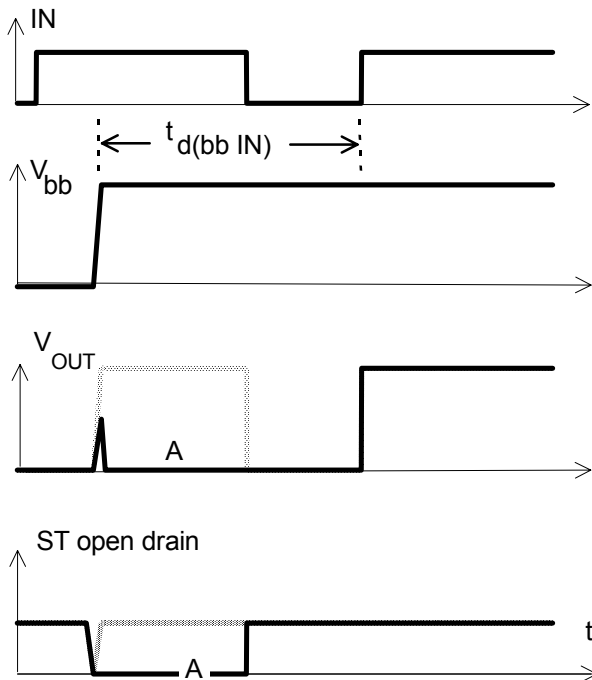
¹⁷⁾ With latch function. Reset by a) Input low, b) Undervoltage

¹⁸⁾ No auto restart after overvoltage in case of short circuit

¹⁹⁾ Low resistance short V_{bb} to output may be detected in ON-state by the no-load-detection

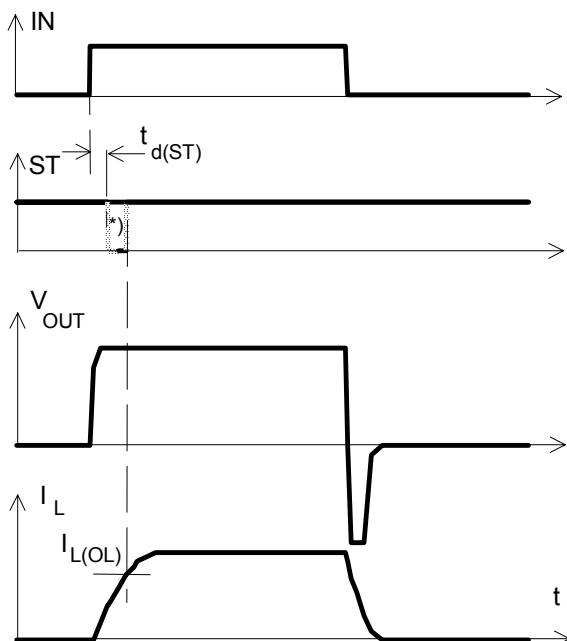
Timing diagrams

Figure 1a: V_{bb} turn on:



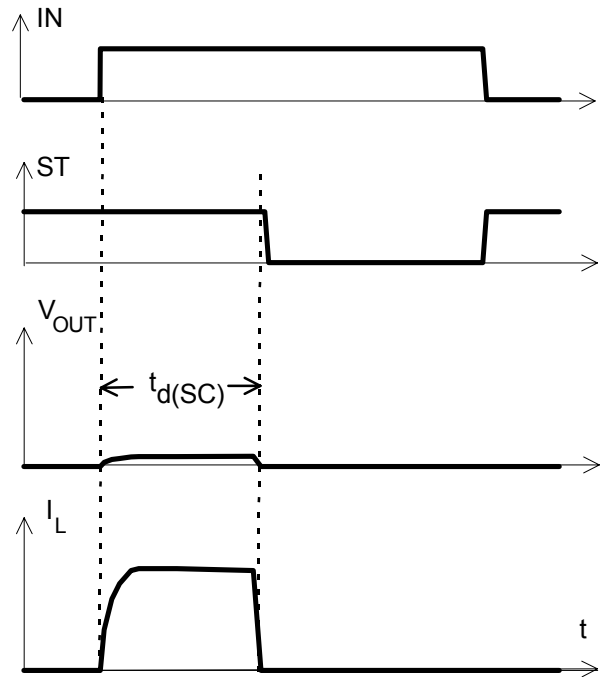
in case of too early V_{IN} =high the device may not turn on (curve A)
 $t_{d(bb IN)}$ approx. 150 μ s

Figure 2a: Switching an inductive load



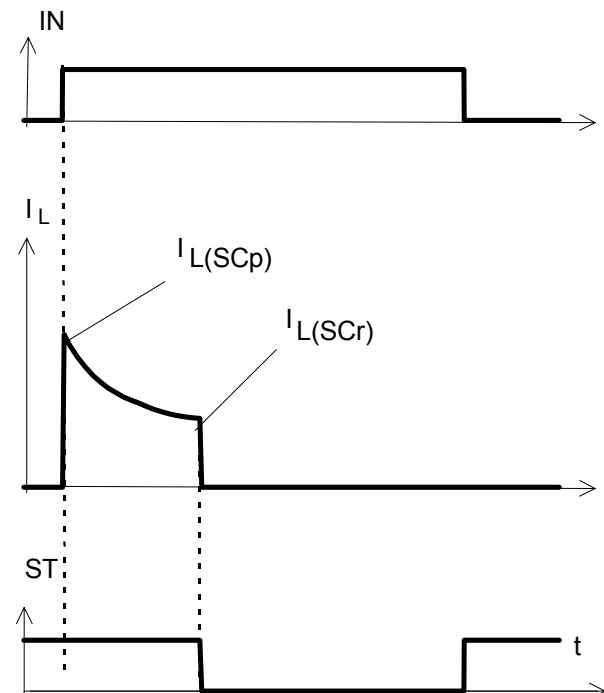
*) if the time constant of load is too large, open-load-status may occur

Figure 3a: Turn on into short circuit,



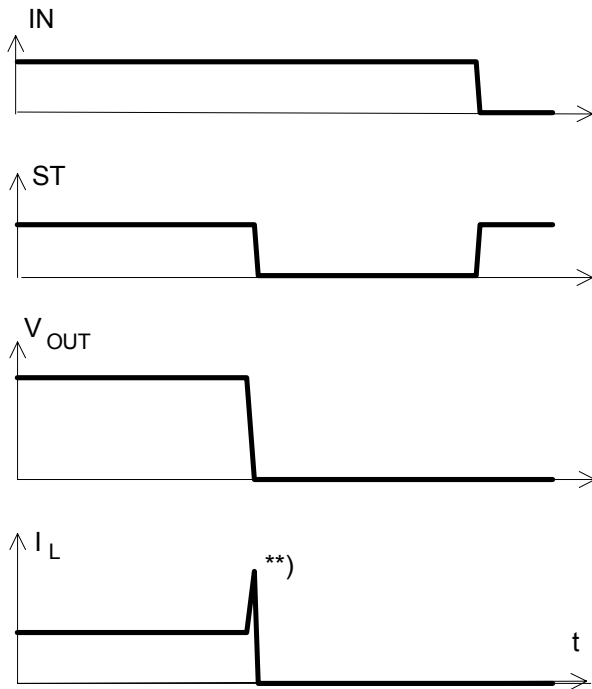
$t_{d(SC)}$ approx. -- μ s if $V_{bb} - V_{OUT} > 8.5$ V typ.

Figure 3b: Turn on into overload,



Heating up may require several seconds,
 $V_{bb} - V_{OUT} < 8.5$ V typ.

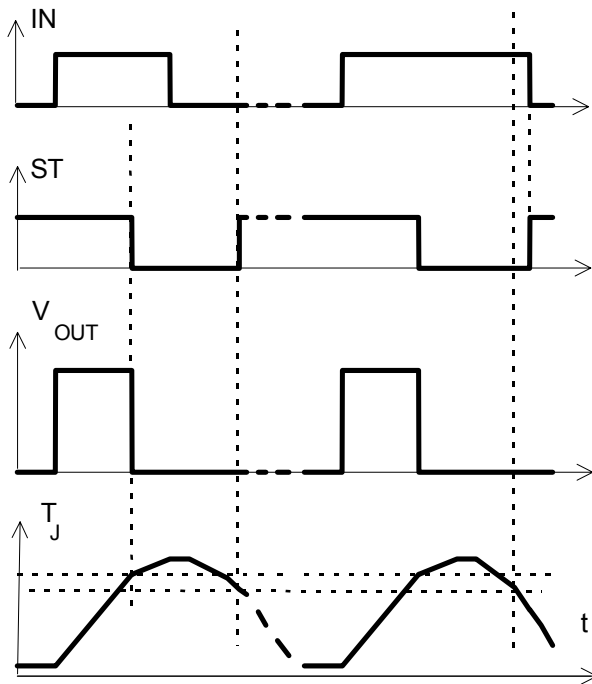
Figure 3c: Short circuit while on:



***) current peak approx. 20 μ s

Figure 4a: Overtemperature,

Reset if (IN=low) and ($T_j < T_{jt}$)



*) ST goes high, when V_{IN} =low and $T_j < T_{jt}$

Figure 5a: Open load: detection in ON-state, turn on/off to open load

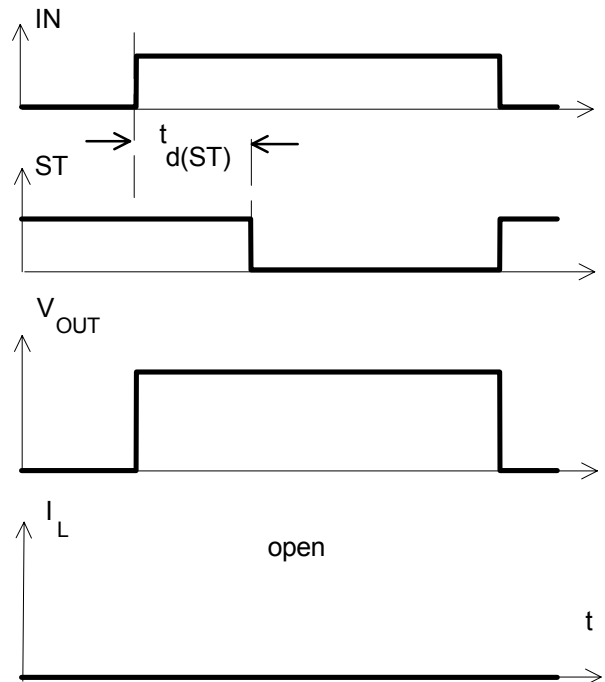
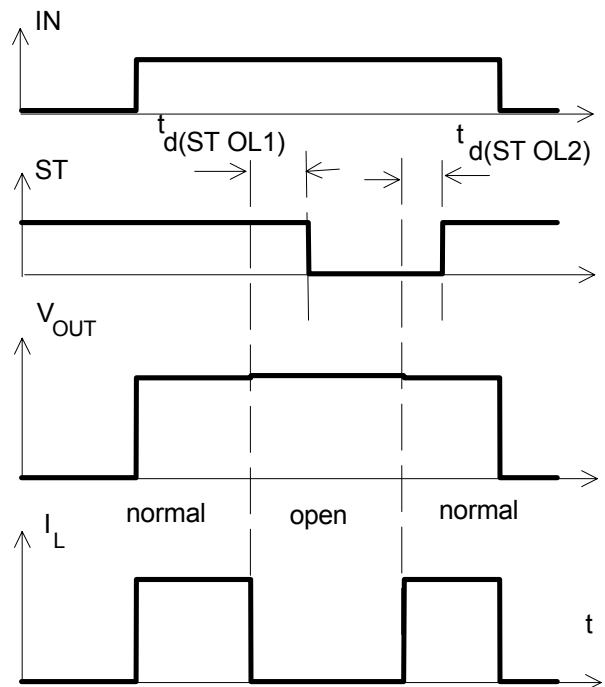


Figure 5b: Open load: detection in ON-state, open load occurs in on-state



$t_{d(ST OL1)} = t_{bd} \mu$ s typ., $t_{d(ST OL2)} = t_{bd} \mu$ s typ

Figure 6a: Undervoltage:

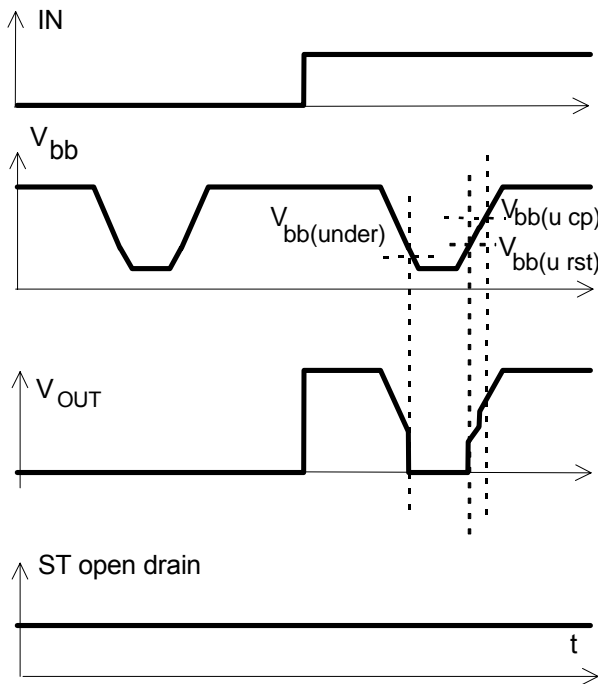


Figure 7a: Overvoltage:

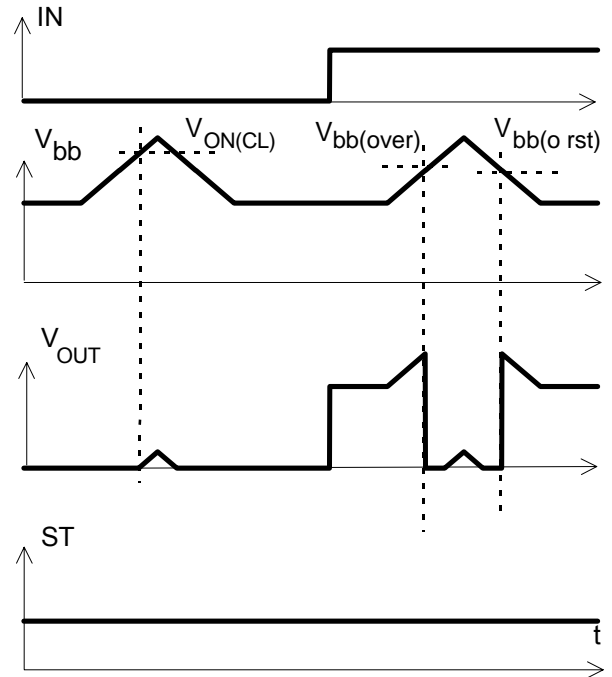


Figure 6b: Undervoltage restart of charge pump

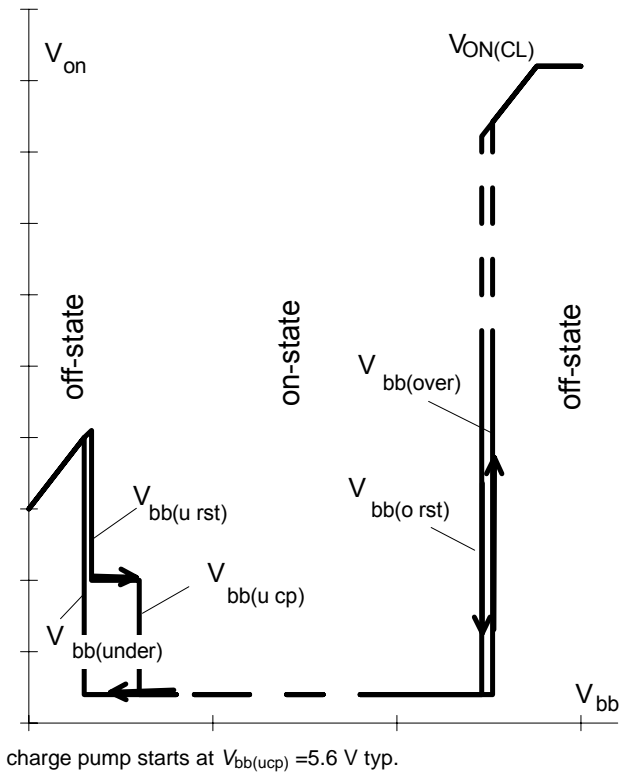
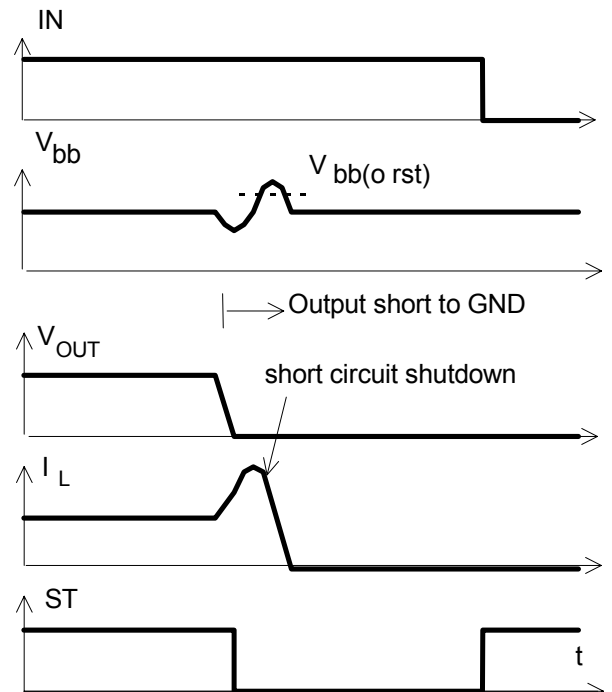


Figure 9a: Overvoltage at short circuit shutdown:



Overvoltage due to power line inductance. No overvoltage auto-restart of PROFET after short circuit shutdown.

Package and Ordering Code

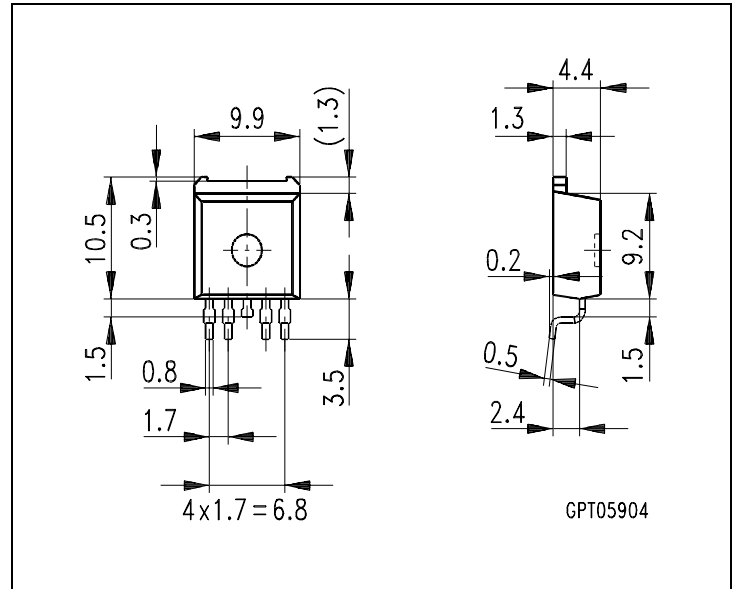
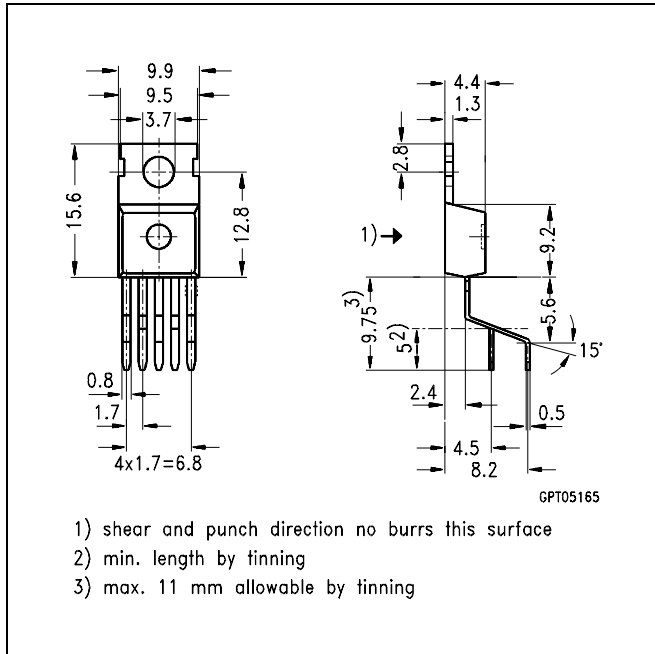
All dimensions in mm

Standard TO-220AB/5 Ordering code

| | |
|------------|-----------------|
| BTS 410 F2 | Q67060-S6103-A2 |
|------------|-----------------|

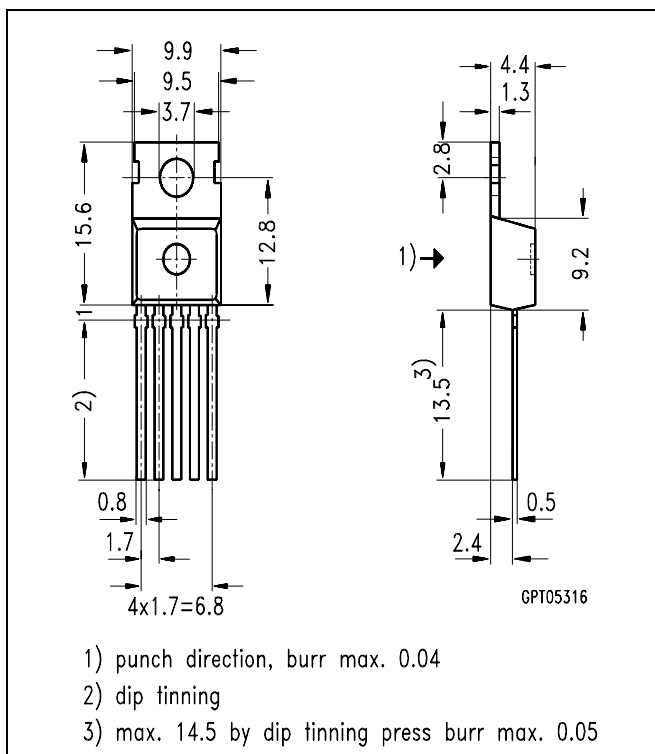
SMD TO-220AB/5, Opt. E3062 Ordering code

| | | |
|-----------------|------|-----------------|
| BTS410F2 E3062A | T&R: | Q67060-S6103-A4 |
|-----------------|------|-----------------|



TO-220AB/5, Option E3043 Ordering code

| | |
|------------------|-----------------|
| BTS 410 F2 E3043 | Q67060-S6103-A3 |
|------------------|-----------------|



Changed since 04.96

| Date | Change |
|-----------|--|
| Mar. 1997 | EAS maximum rating and diagram and Z_{thJC} diagram added |
| | ESD capability (except Input) specified to 2kV, R_{thJA} SMD specified |
| | $I_{L(GND\ high)}$ max reduced from 10 to 1 mA |
| | Option Overview table columns for BTS307/308 added |
| | Fig. 1a: V_{out} -spike at V_{bb} -turn-on added |

Published by
Infineon Technologies AG,
St.-Martin-Strasse 53,
D-81669 München
© Infineon Technologies AG 2001
All Rights Reserved.

Attention please!

The information herein is given to describe certain components and shall not be considered as a guarantee of characteristics.

Terms of delivery and rights to technical change reserved.

We hereby disclaim any and all warranties, including but not limited to warranties of non-infringement, regarding circuits, descriptions and charts stated herein.

Infineon Technologies is an approved CECC manufacturer.

Information

For further information on technology, delivery terms and conditions and prices please contact your nearest Infineon Technologies Office in Germany or our Infineon Technologies Representatives worldwide (see address list).

Warnings

Due to technical requirements components may contain dangerous substances. For information on the types in question please contact your nearest Infineon Technologies Office.

Infineon Technologies Components may only be used in life-support devices or systems with the express written approval of Infineon Technologies, if a failure of such components can reasonably be expected to cause the failure of that life-support device or system, or to affect the safety or effectiveness of that device or system. Life support devices or systems are intended to be implanted in the human body, or to support and/or maintain and sustain and/or protect human life. If they fail, it is reasonable to assume that the health of the user or other persons may be endangered.