



# 128K x 8 Static RAM

## Features

- 4.5V–5.5V operation
- CMOS for optimum speed/power
- Low active power (70 ns, LL version)
  - 82.5 mW (max.) (15 mA)
- Low standby power (70 ns, LL version)
  - 110 μW (max.) (15 μA)
- Automatic power-down when deselected
- TTL-compatible inputs and outputs
- Easy memory expansion with  $\overline{CE}_1$ ,  $\overline{CE}_2$ , and  $\overline{OE}$  options

## Functional Description

The CY62128B is a high-performance CMOS static RAM organized as 131,072 words by 8 bits. Easy memory expansion is provided by an active LOW Chip Enable ( $\overline{CE}_1$ ), an active HIGH Chip Enable ( $\overline{CE}_2$ ), an active LOW Output Enable ( $\overline{OE}$ ), and three-state drivers. This device has an automatic

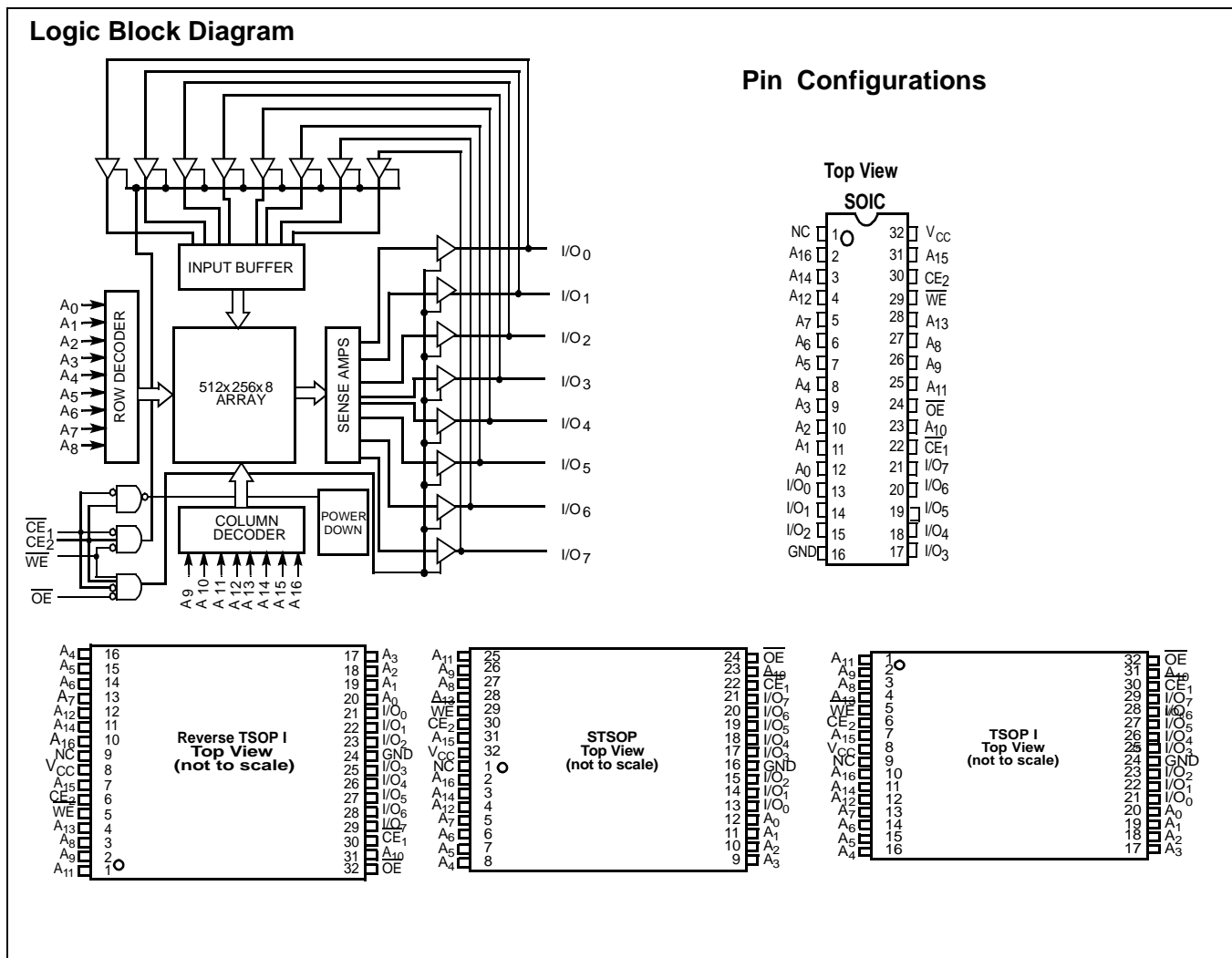
power-down feature that reduces power consumption by more than 75% when deselected.

Writing to the device is accomplished by taking Chip Enable One ( $\overline{CE}_1$ ) and Write Enable ( $\overline{WE}$ ) inputs LOW and Chip Enable Two ( $\overline{CE}_2$ ) input HIGH. Data on the eight I/O pins ( $I/O_0$  through  $I/O_7$ ) is then written into the location specified on the address pins ( $A_0$  through  $A_{16}$ ).

Reading from the device is accomplished by taking Chip Enable One ( $\overline{CE}_1$ ) and Output Enable ( $\overline{OE}$ ) LOW while forcing Write Enable ( $\overline{WE}$ ) and Chip Enable Two ( $\overline{CE}_2$ ) HIGH. Under these conditions, the contents of the memory location specified by the address pins will appear on the I/O pins.

The eight input/output pins ( $I/O_0$  through  $I/O_7$ ) are placed in a high-impedance state when the device is deselected ( $\overline{CE}_1$  HIGH or  $\overline{CE}_2$  LOW), the outputs are disabled ( $\overline{OE}$  HIGH), or during a write operation ( $\overline{CE}_1$  LOW,  $\overline{CE}_2$  HIGH, and  $\overline{WE}$  LOW).

The CY62128B is available in a standard 450-mil-wide SOIC, 32-pin TSOP type I and STSOP packages.



**Selection Guide**

			CY62128B-55	CY62128B-70	Unit
Maximum Access Time			55	70	ns
Maximum Operating Current ( $I_{CC}$ )	Industrial	LL	20	15	mA
	Commercial	LL	20	15	mA
Maximum CMOS Standby Current ( $I_{SB2}$ )	Industrial	LL	15	15	$\mu$ A
	Commercial	LL	15	15	$\mu$ A

**Maximum Ratings**

(Above which the useful life may be impaired. For user guidelines, not tested.)

Storage Temperature .....  $-65^{\circ}\text{C}$  to  $+150^{\circ}\text{C}$

Ambient Temperature with Power Applied.....  $-55^{\circ}\text{C}$  to  $+125^{\circ}\text{C}$

Supply Voltage on  $V_{CC}$  to Relative GND<sup>[1]</sup> ....  $-0.5\text{V}$  to  $+7.0\text{V}$

DC Voltage Applied to Outputs in High Z State<sup>[1]</sup> .....  $-0.5\text{V}$  to  $V_{CC} + 0.5\text{V}$

DC Input Voltage<sup>[1]</sup>.....  $-0.5\text{V}$  to  $V_{CC} + 0.5\text{V}$

Current into Outputs (LOW) ..... 20 mA

Static Discharge Voltage.....  $>2001\text{V}$   
(per MIL-STD-883, Method 3015)

Latch-Up Current.....  $>200\text{ mA}$

**Operating Range**

Range	Ambient Temperature <sup>[2]</sup>	V
Industrial	$-40^{\circ}\text{C}$ to $+85^{\circ}\text{C}$	$5\text{V} \pm 10\%$
Commercial	$0^{\circ}\text{C}$ to $+70^{\circ}\text{C}$	$5\text{V} \pm 10\%$

**Notes:**

- $V_{IL}$  (min.) =  $-2.0\text{V}$  for pulse durations of less than 20 ns.
- $T_A$  is the "Instant On" case temperature.

**Electrical Characteristics** Over the Operating Range

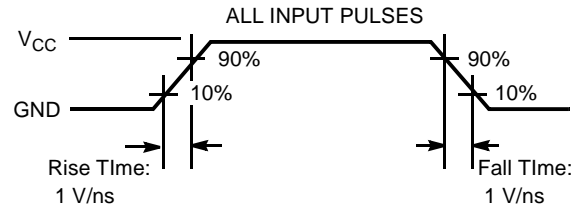
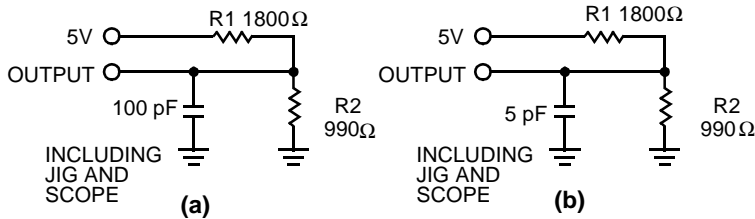
Parameter	Description	Test Conditions	62128B-55			62128B-70			Unit	
			Min.	Typ. <sup>[3]</sup>	Max.	Min.	Typ. <sup>[3]</sup>	Max.		
V <sub>OH</sub>	Output HIGH Voltage	V <sub>CC</sub> = Min., I <sub>OH</sub> = -1.0 mA	2.4			2.4			V	
V <sub>OL</sub>	Output LOW Voltage	V <sub>CC</sub> = Min., I <sub>OL</sub> = 2.1 mA			0.4			0.4	V	
V <sub>IH</sub>	Input HIGH Voltage		2.2		V <sub>CC</sub> + 0.3	2.2		V <sub>CC</sub> + 0.3	V	
V <sub>IL</sub>	Input LOW Voltage <sup>[1]</sup>		-0.3		0.8	-0.3		0.8	V	
I <sub>IX</sub>	Input Load Current	GND ≤ V <sub>I</sub> ≤ V <sub>CC</sub>	-1		+1	-1		+1	μA	
I <sub>OZ</sub>	Output Leakage Current	GND ≤ V <sub>I</sub> ≤ V <sub>CC</sub> , Output Disabled	-1		+1	-1		+1	μA	
I <sub>OS</sub>	Output Short Circuit Current <sup>[4]</sup>	V <sub>CC</sub> = Max., V <sub>OUT</sub> = GND			-300			-300	mA	
I <sub>CC</sub>	V <sub>CC</sub> Operating Supply Current	V <sub>CC</sub> = Max., I <sub>OUT</sub> = 0 mA, f = f <sub>MAX</sub> = 1/t <sub>RC</sub>		Ind'l	LL	7.5	20	6	15	mA
I <sub>SB1</sub>	Automatic CE Power-Down Current —TTL Inputs	Max. V <sub>CC</sub> , CE <sub>1</sub> ≥ V <sub>IH</sub> or CE <sub>2</sub> ≤ V <sub>IL</sub> , V <sub>IN</sub> ≥ V <sub>IH</sub> or V <sub>IN</sub> ≤ V <sub>IL</sub> , f = f <sub>MAX</sub>		Ind'l	LL	0.1	2	0.1	1	mA
I <sub>SB2</sub>	Automatic CE Power-Down Current —CMOS Inputs	Max. V <sub>CC</sub> , CE <sub>1</sub> ≥ V <sub>CC</sub> - 0.3V, or CE <sub>2</sub> ≤ 0.3V, V <sub>IN</sub> ≥ V <sub>CC</sub> - 0.3V, or V <sub>IN</sub> ≤ 0.3V, f = 0		Ind'l	LL	2.5	15	2.5	15	μA
I <sub>CC</sub>	V <sub>CC</sub> Operating Supply Current	V <sub>CC</sub> = Max., I <sub>OUT</sub> = 0 mA, f = f <sub>MAX</sub> = 1/t <sub>RC</sub>		Com	LL	7.5	20	6	15	mA
I <sub>SB1</sub>	Automatic CE Power-Down Current —TTL Inputs	Max. V <sub>CC</sub> , CE <sub>1</sub> ≥ V <sub>IH</sub> or CE <sub>2</sub> ≤ V <sub>IL</sub> , V <sub>IN</sub> ≥ V <sub>IH</sub> or V <sub>IN</sub> ≤ V <sub>IL</sub> , f = f <sub>MAX</sub>		Com	LL	0.1	2	0.1	1	mA
I <sub>SB2</sub>	Automatic CE Power-Down Current —CMOS Inputs	Max. V <sub>CC</sub> , CE <sub>1</sub> ≥ V <sub>CC</sub> - 0.3V, or CE <sub>2</sub> ≤ 0.3V, V <sub>IN</sub> ≥ V <sub>CC</sub> - 0.3V, or V <sub>IN</sub> ≤ 0.3V, f = 0		Com	LL	2.5	15	2.5	15	μA

**Capacitance<sup>[5]</sup>**

Parameter	Description	Test Conditions	Max.	Unit
C <sub>IN</sub>	Input Capacitance	T <sub>A</sub> = 25°C, f = 1 MHz, V <sub>CC</sub> = 5.0V	9	pF
C <sub>OUT</sub>	Output Capacitance		9	pF

**Notes:**

- Typical values are included for reference only and are not tested or guaranteed. Typical values are an average of the distribution across normal production variations as measured at V<sub>CC</sub> = 5.0V, T<sub>A</sub> = 25°C, and t<sub>AA</sub> = 70 ns
- Not more than one output should be shorted at one time. Duration of the short circuit should not exceed 30 seconds.
- Tested initially and after any design or process changes that may affect these parameters.

**AC Test Loads and Waveforms**


Equivalent to: THÉVENIN EQUIVALENT  
 OUTPUT ———  $639\Omega$  ——— 1.77V

**Switching Characteristics<sup>[6]</sup> Over the Operating Range**

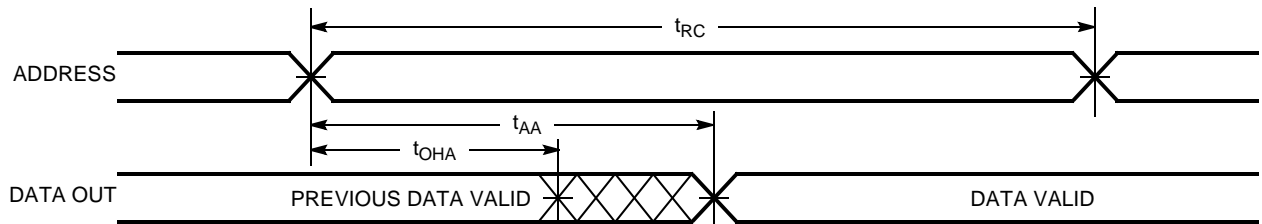
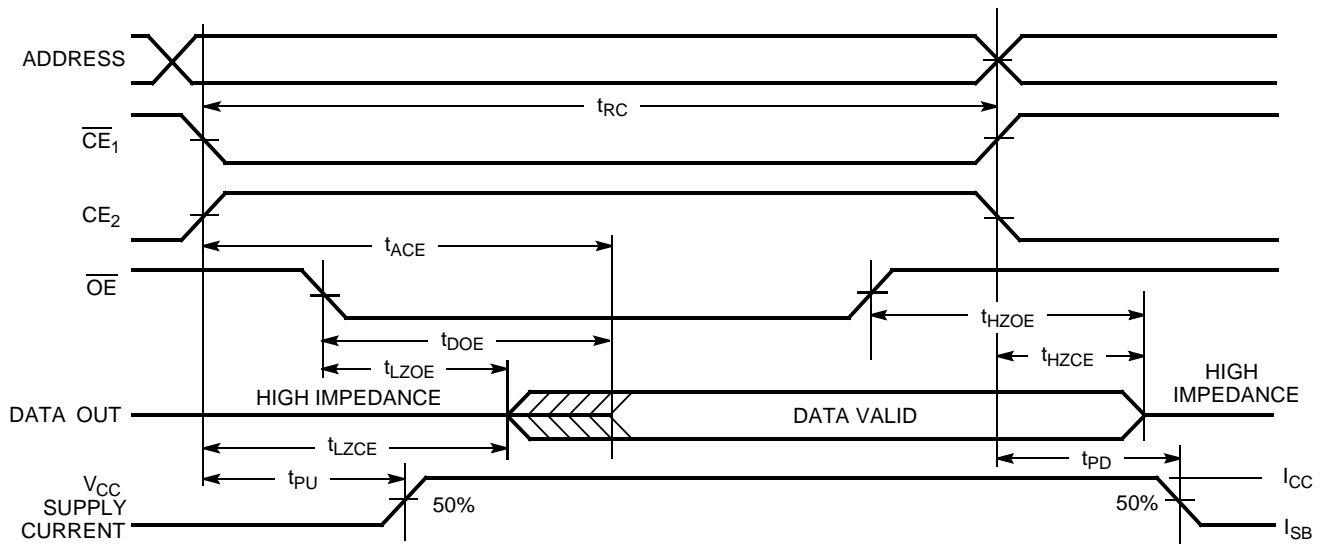
Parameter	Description	62128B-55		62128B-70		Unit
		Min.	Max.	Min.	Max.	
<b>READ CYCLE</b>						
$t_{RC}$	Read Cycle Time	55		70		ns
$t_{AA}$	Address to Data Valid		55		70	ns
$t_{OHA}$	Data Hold from Address Change	5		5		ns
$t_{ACE}$	$\overline{CE}_1$ LOW to Data Valid, $CE_2$ HIGH to Data Valid		55		70	ns
$t_{DOE}$	$\overline{OE}$ LOW to Data Valid		20		35	ns
$t_{LZOE}$	$\overline{OE}$ LOW to Low Z	0		0		ns
$t_{HZOE}$	$\overline{OE}$ HIGH to High Z <sup>[7, 8]</sup>		20		25	ns
$t_{LZCE}$	$\overline{CE}_1$ LOW to Low Z, $CE_2$ HIGH to Low Z <sup>[8]</sup>	5		5		ns
$t_{HZCE}$	$\overline{CE}_1$ HIGH to High Z, $CE_2$ LOW to High Z <sup>[7, 8]</sup>		20		25	ns
$t_{PU}$	$\overline{CE}_1$ LOW to Power-Up, $CE_2$ HIGH to Power-Up	0		0		ns
$t_{PD}$	$\overline{CE}_1$ HIGH to Power-Down, $CE_2$ LOW to Power-Down		55		70	ns
<b>WRITE CYCLE<sup>[9]</sup></b>						
$t_{WC}$	Write Cycle Time	55		70		ns
$t_{SCE}$	$\overline{CE}_1$ LOW to Write End, $CE_2$ HIGH to Write End	45		60		ns
$t_{AW}$	Address Set-Up to Write End	45		60		ns
$t_{HA}$	Address Hold from Write End	0		0		ns
$t_{SA}$	Address Set-Up to Write Start	0		0		ns
$t_{PWE}$	$\overline{WE}$ Pulse Width	45		50		ns
$t_{SD}$	Data Set-Up to Write End	25		30		ns
$t_{HD}$	Data Hold from Write End	0		0		ns
$t_{LZWE}$	$\overline{WE}$ HIGH to Low Z <sup>[8]</sup>	5		5		ns
$t_{HZWE}$	$\overline{WE}$ LOW to High Z <sup>[7, 8]</sup>		20		25	ns

**Notes:**

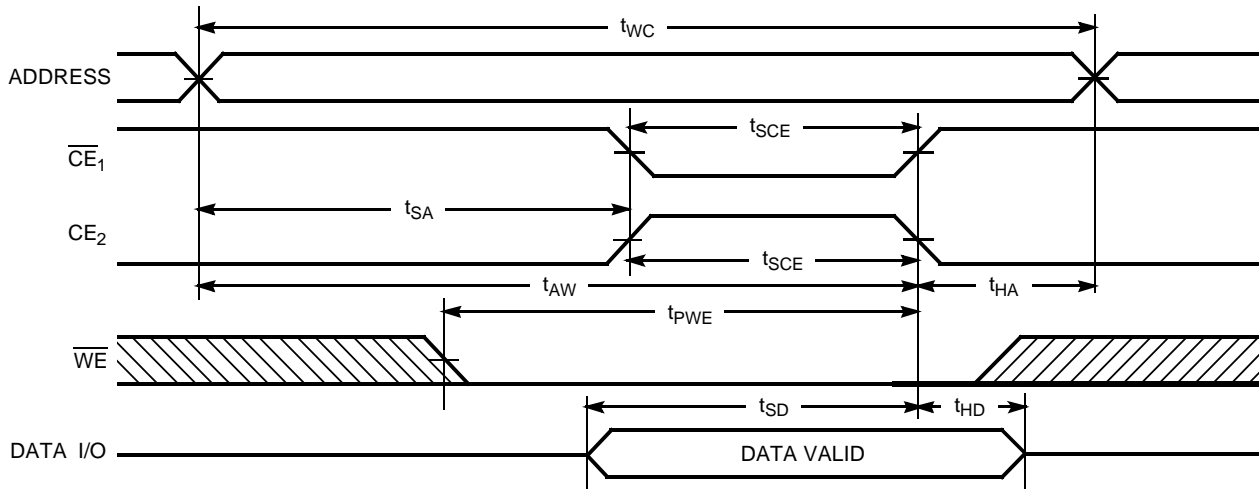
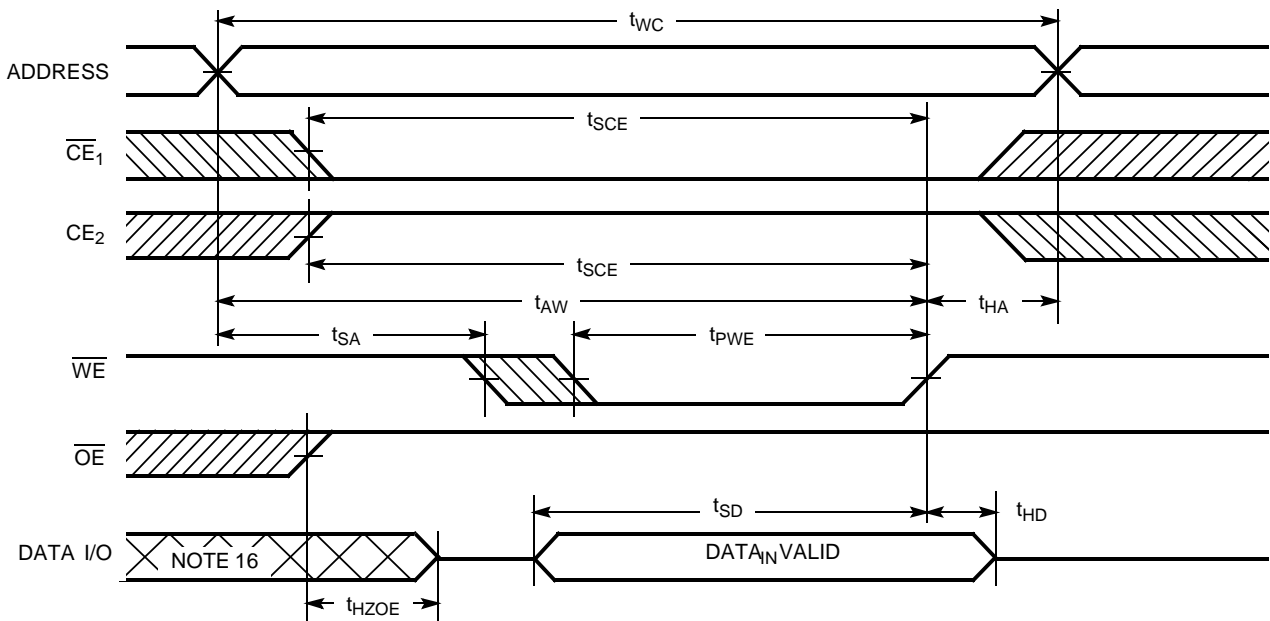
- Test conditions assume signal transition time of 5 ns or less, timing reference levels of 1.5V, input pulse levels of 0 to 3.0V, and output loading of the specified  $I_{OL}/I_{OH}$  and 100-pF load capacitance.
- $t_{HZOE}$ ,  $t_{HZCE}$ , and  $t_{HZWE}$  are specified with a load capacitance of 5 pF as in part (b) of AC Test Loads. Transition is measured  $\pm 500$  mV from steady-state voltage.
- At any given temperature and voltage condition,  $t_{HZCE}$  is less than  $t_{LZCE}$ ,  $t_{HZOE}$  is less than  $t_{LZOE}$ , and  $t_{HZWE}$  is less than  $t_{LZWE}$  for any given device.
- The internal write time of the memory is defined by the overlap of  $\overline{CE}_1$  LOW,  $CE_2$  HIGH, and  $\overline{WE}$  LOW.  $\overline{CE}_1$  and  $\overline{WE}$  must be LOW and  $CE_2$  HIGH to initiate a write, and the transition of any of these signals can terminate the write. The input data set-up and hold timing should be referenced to the leading edge of the signal that terminates the write.

**Data Retention Characteristics** (Over the Operating Range for "LL" version only)

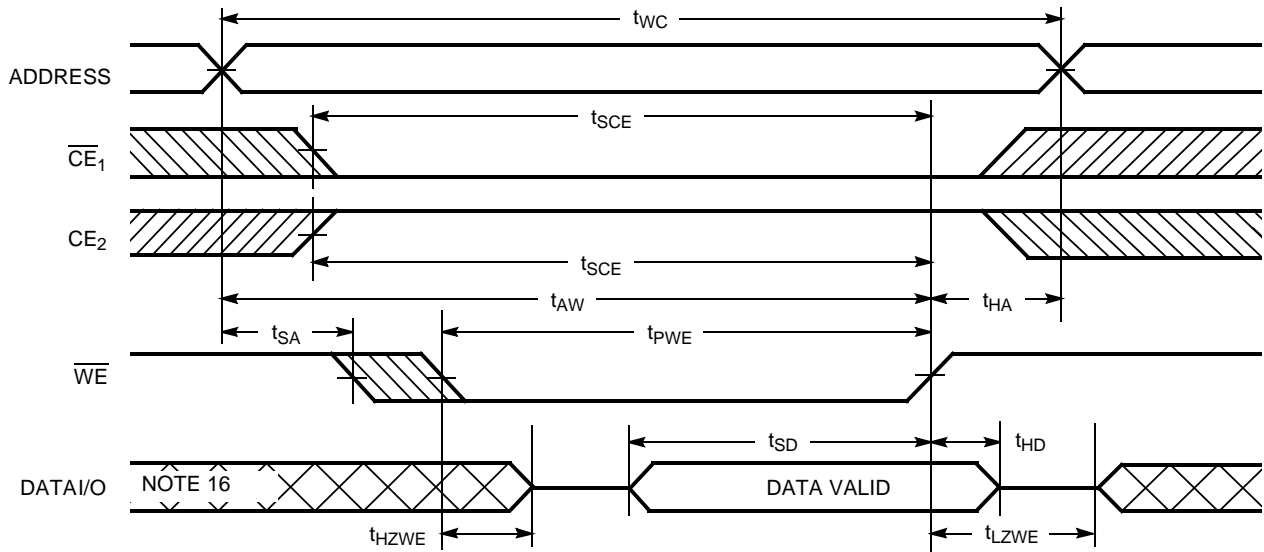
Parameter	Description	Conditions <sup>[10]</sup>		Min.	Typ.	Max.	Unit
$V_{DR}$	$V_{CC}$ for Data Retention			2.0			V
$I_{CCDR}$	Data Retention Current	Ind.'l	LL	$V_{CC} = V_{DR} = 3.0V,$ $CE \geq V_{CC} - 0.3V,$ $V_{IN} \geq V_{CC} - 0.3V$ or, $V_{IN} \leq 0.3V$		15	$\mu A$
$I_{CCDR}$	Data Retention Current	Com.	LL	$V_{CC} = V_{DR} = 3.0V,$ $CE \geq V_{CC} - 0.3V,$ $V_{IN} \geq V_{CC} - 0.3V$ or, $V_{IN} \leq 0.3V$		15	$\mu A$
$t_{CDR}^{[3]}$	Chip Deselect to Data Retention Time			0			ns
$t_R^{[3]}$	Operation Recovery Time			70			ns

**Switching Waveforms**
**Read Cycle No.1<sup>[11, 12]</sup>**

**Read Cycle No. 2 ( $\overline{OE}$  Controlled)<sup>[12, 13]</sup>**

**Notes:**

10. No input may exceed  $V_{CC} + 0.5V$ .
11. Device is continuously selected.  $OE, CE_1 = V_{IL}, CE_2 = V_{IH}$ .
12.  $WE$  is HIGH for read cycle.
13. Address valid prior to or coincident with  $\overline{CE}_1$  transition LOW and  $CE_2$  transition HIGH.

**Switching Waveforms (continued)**
**Write Cycle No. 1 ( $\overline{CE}_1$  or  $CE_2$  Controlled)<sup>[14, 15]</sup>**

**Write Cycle No. 2 ( $\overline{WE}$  Controlled,  $\overline{OE}$  HIGH During Write)<sup>[14, 15]</sup>**

**Notes:**

14. Data I/O is high impedance if  $\overline{OE} = V_{IH}$ .
15. If  $\overline{CE}_1$  goes HIGH or  $CE_2$  goes LOW simultaneously with  $\overline{WE}$  going HIGH, the output remains in a high-impedance state.
16. During this period the I/Os are in the output state and input signals should not be applied.

**Switching Waveforms (continued)**
**Write Cycle No.3 ( $\overline{WE}$  Controlled,  $\overline{OE}$  LOW)<sup>[14, 15]</sup>**

**Truth Table**

$\overline{CE}_1$	$CE_2$	$\overline{OE}$	$\overline{WE}$	I/O <sub>0</sub> -I/O <sub>7</sub>	Mode	Power
H	X	X	X	High Z	Power-Down	Standby ( $I_{SB}$ )
X	L	X	X	High Z	Power-Down	Standby ( $I_{SB}$ )
L	H	L	H	Data Out	Read	Active ( $I_{CC}$ )
L	H	X	L	Data In	Write	Active ( $I_{CC}$ )
L	H	H	H	High Z	Selected, Outputs Disabled	Active ( $I_{CC}$ )

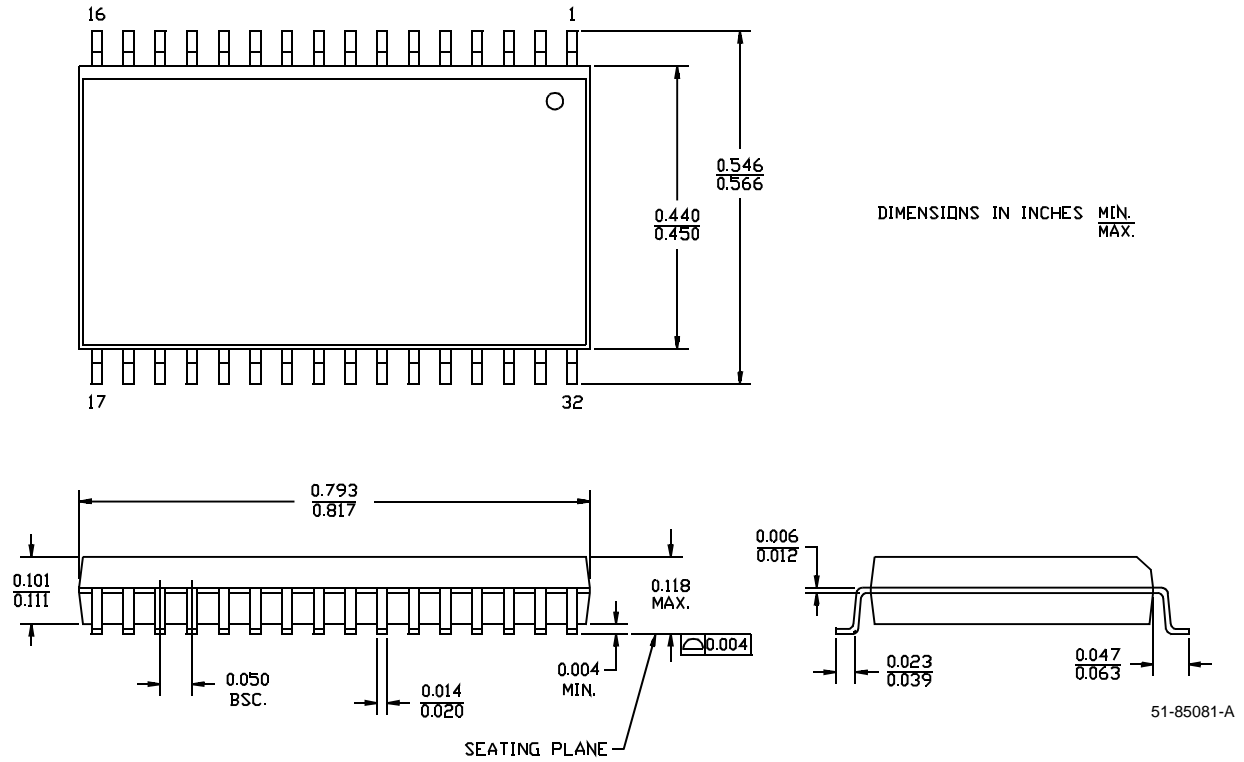
**Ordering Information**

Speed (ns)	Ordering Code	Package Name	Package Type	Operating Range
55	CY62128BLL-55SI	S34	32-Lead 450-Mil SOIC	Industrial
	CY62128BLL-55SC	S34	32-Lead 450-Mil SOIC	Commercial
	CY62128BLL-55ZI	Z32	32-Lead TSOP Type I	Industrial
	CY62128BLL-55ZC	Z32	32-Lead TSOP Type I	Commercial
	CY62128BLL-55ZAI	ZA32	32-Lead STSOP Type I	Industrial
	CY62128BLL-55ZAC	ZA32	32-Lead STSOP Type I	Commercial
	CY62128BLL-70ZRI	ZR32	32-Lead Reverse TSOP Type I	Industrial
	CY62128BLL-70ZRC	ZR32	32-Lead Reverse TSOP Type I	Commercial
70	CY62128BLL-70SI	S34	32-Lead 450-Mil SOIC I	Industrial
	CY62128BLL-70SC	S34	32-Lead 450-Mil SOIC I	Commercial
	CY62128BLL-70ZI	Z32	32-Lead TSOP Type I	Industrial
	CY62128BLL-70ZC	Z32	32-Lead TSOP Type I	Commercial
	CY62128BLL-70ZAI	ZA32	32-Lead STSOP Type I	Industrial
	CY62128BLL-70ZAC	ZA32	32-Lead STSOP Type I	Commercial
	CY62128BLL-70ZRI	ZR32	32-Lead Reverse TSOP Type I	Industrial
	CY62128BLL-70ZRC	ZR32	32-Lead Reverse TSOP Type I	Commercial



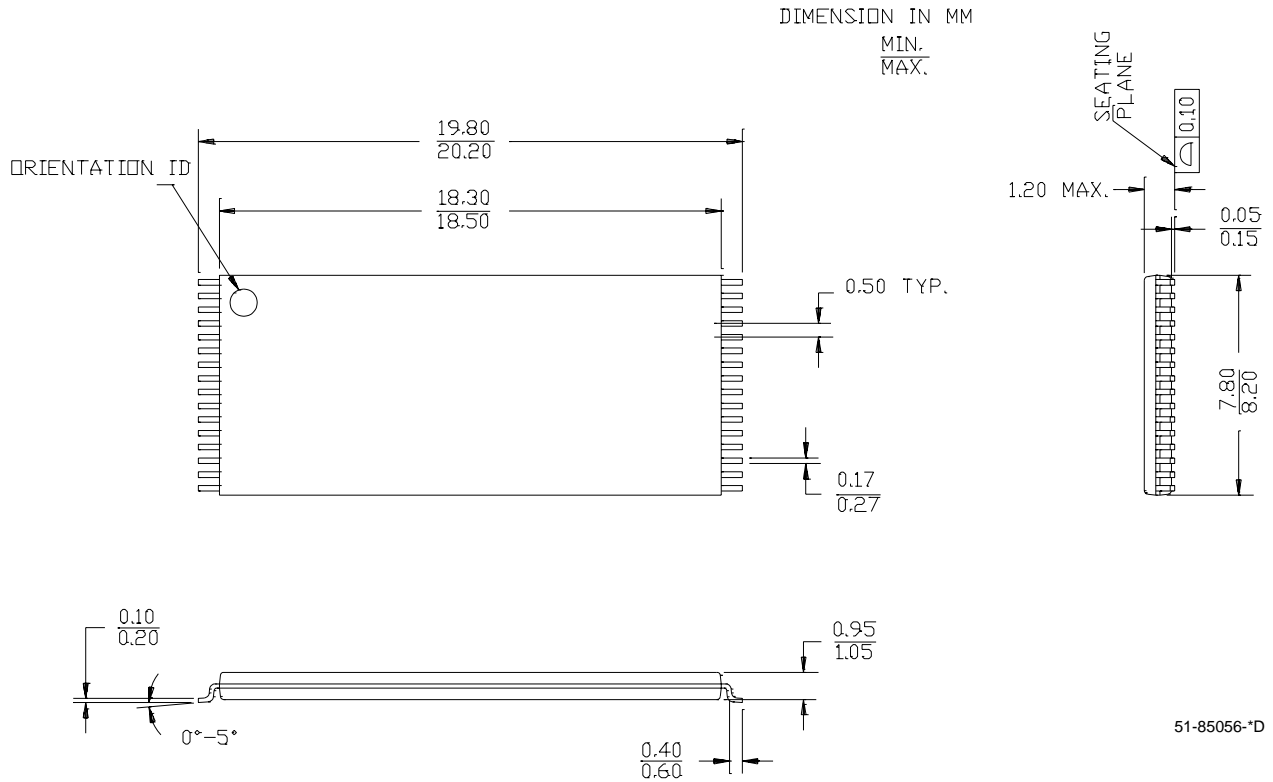
Package Diagrams

32-Lead (450 Mil) Molded SOIC S34



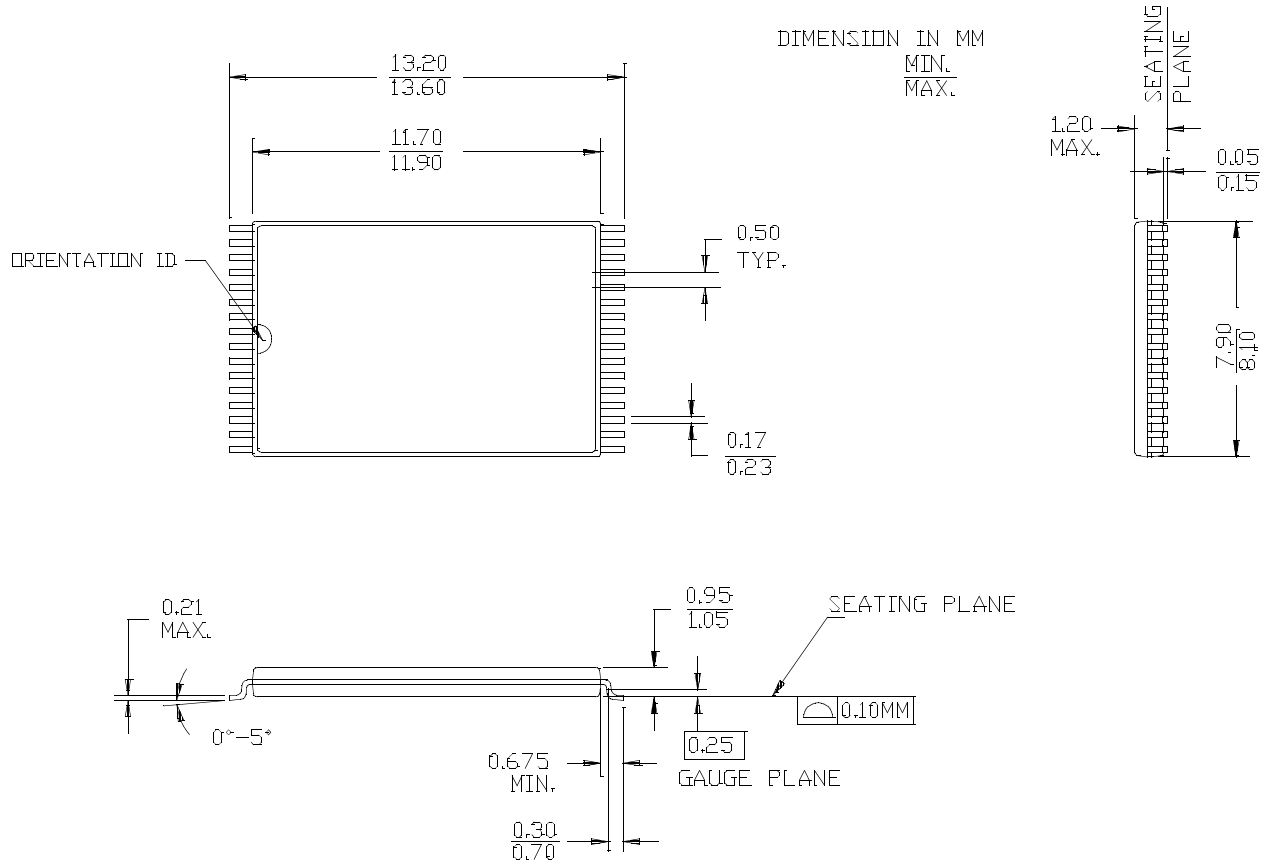
Package Diagrams (continued)

32-Lead Thin Small Outline Package Type I (8x20 mm) Z32



Package Diagrams (continued)

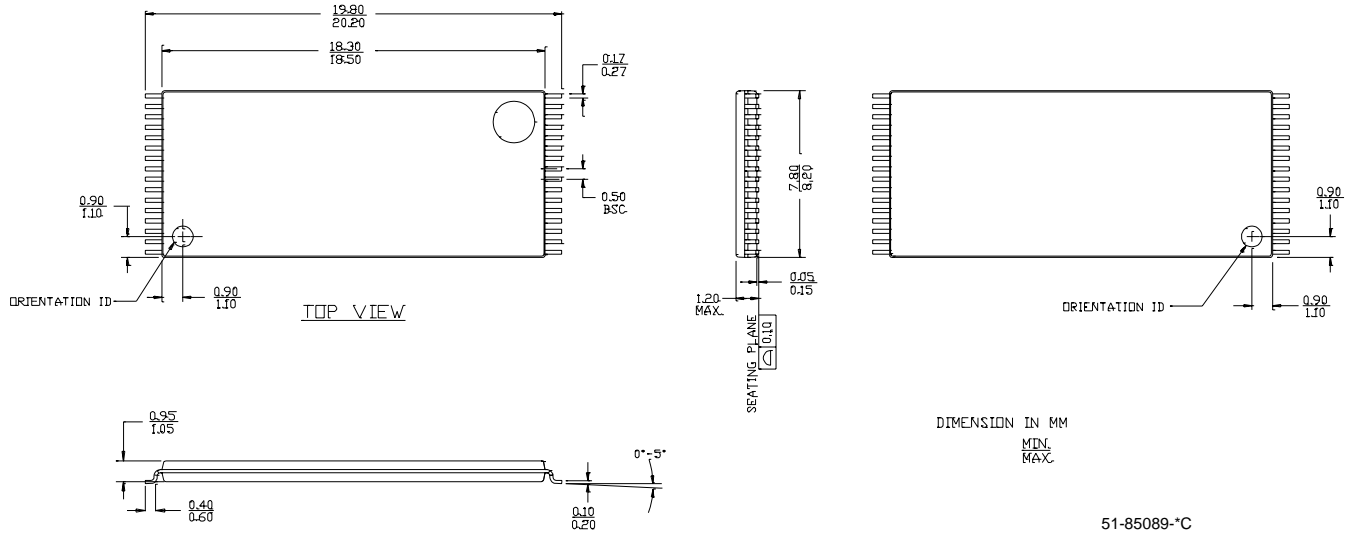
32-Lead Shrunken Thin Small Outline Package (8x13.4 mm) ZA32



51-85094-D

Package Diagrams (continued)

32-Lead Reverse Thin Small Outline Package ZR32



<b>Document Title: CY62128B MoBL<sup>®</sup> 128K x 8 Static RAM</b> <b>Document Number: 38-05300</b>				
<b>REV.</b>	<b>ECN NO.</b>	<b>Issue Date</b>	<b>Orig. of Change</b>	<b>Description of Change</b>
**	116566	06/20/02	DSG	Change from Spec number: 38-00524 to 38-05300