





# 80960CA-33, -25, -16 32-BIT HIGH-PERFORMANCE EMBEDDED PROCESSOR

| CONTENTS   | PAGE |
|--|------|
| <b>1.0 PURPOSE</b> .....                             | 1    |
| <b>2.0 80960CA OVERVIEW</b> .....                    | 1    |
| 2.1 The C-Series Core .....                          | 2    |
| 2.2 Pipelined, Burst Bus .....                       | 2    |
| 2.3 Flexible DMA Controller .....                    | 2    |
| 2.4 Priority Interrupt Controller .....              | 2    |
| 2.5 Instruction Set Summary .....                    | 3    |
| <b>3.0 PACKAGE INFORMATION</b> .....                 | 4    |
| 3.1 Package Introduction .....                       | 4    |
| 3.2 Pin Descriptions .....                           | 4    |
| 3.3 80960CA Mechanical Data .....                    | 11   |
| 3.3.1 80960CA PGA Pinout .....                       | 11   |
| 3.3.2 80960CA PQFP Pinout .....                      | 15   |
| 3.4 Package Thermal Specifications .....             | 18   |
| 3.5 Stepping Register Information .....              | 20   |
| 3.6 Suggested Sources for 80960CA Accessories .....  | 20   |
| <b>4.0 ELECTRICAL SPECIFICATIONS</b> .....           | 21   |
| 4.1 Absolute Maximum Ratings .....                   | 21   |
| 4.2 Operating Conditions .....                       | 21   |
| 4.3 Recommended Connections .....                    | 21   |
| 4.4 DC Specifications .....                          | 22   |
| 4.5 AC Specifications .....                          | 23   |
| 4.5.1 AC Test Conditions .....                       | 29   |
| 4.5.2 AC Timing Waveforms .....                      | 29   |
| 4.5.3 Derating Curves .....                          | 33   |
| <b>5.0 RESET, BACKOFF AND HOLD ACKNOWLEDGE</b> ..... | 35   |
| <b>6.0 BUS WAVEFORMS</b> .....                       | 36   |
| <b>7.0 REVISION HISTORY</b> .....                    | 64   |





## CONTENTS

PAGE

### LIST OF FIGURES

|           |  |    |
|-----------|--|----|
| Figure 1  | 80960CA Block Diagram .....  | 1  |
| Figure 2  | 80960CA PGA Pinout—View from Top (Pins Facing Down) .....                                      | 13 |
| Figure 3  | 80960CA PGA Pinout —View from Bottom (Pins Facing Up) .....                                    | 14 |
| Figure 4  | 80960CA PQFP Pinout (View from Top Side) .....   | 17 |
| Figure 5  | Measuring 80960CA PGA and PQFP Case Temperature .....  | 18 |
| Figure 6  | Register g0 .....  | 20 |
| Figure 7  | AC Test Load .....   | 29 |
| Figure 8  | Input and Output Clocks Waveform .....   | 29 |
| Figure 9  | CLKIN Waveform .....   | 29 |
| Figure 10 | Output Delay and Float Waveform .....  | 30 |
| Figure 11 | Input Setup and Hold Waveform .....  | 30 |
| Figure 12 | $\overline{\text{NMI}}$ , $\overline{\text{XINT7:0}}$ Input Setup and Hold Waveform .....      | 31 |
| Figure 13 | Hold Acknowledge Timings .....   | 31 |
| Figure 14 | Bus Backoff ( $\overline{\text{BOFF}}$ ) Timings .....   | 32 |
| Figure 15 | Relative Timings Waveforms .....   | 33 |
| Figure 16 | Output Delay or Hold vs. Load Capacitance .....  | 33 |
| Figure 17 | Rise and Fall Time Derating at Highest Operating Temperature and Minimum $V_{\text{CC}}$ ..... | 34 |
| Figure 18 | $I_{\text{CC}}$ vs. Frequency and Temperature .....  | 34 |
| Figure 19 | Cold Reset Waveform .....  | 36 |
| Figure 20 | Warm Reset Waveform .....  | 37 |
| Figure 21 | Entering the ONCE State .....  | 38 |
| Figure 22 | Clock Synchronization in the 2-x Clock Mode .....  | 39 |
| Figure 23 | Clock Synchronization in the 1-x Clock Mode .....  | 39 |
| Figure 24 | Non-Burst, Non-Pipelined Requests Without Wait States .....                                    | 40 |
| Figure 25 | Non-Burst, Non-Pipelined Read Request With Wait States .....                                   | 41 |
| Figure 26 | Non-Burst, Non-Pipelined Write Request With Wait States .....                                  | 42 |
| Figure 27 | Burst, Non-Pipelined Read Request Without Wait States, 32-Bit Bus .....                        | 43 |
| Figure 28 | Burst, Non-Pipelined Read Request With Wait States, 32-Bit Bus .....                           | 44 |
| Figure 29 | Burst, Non-Pipelined Write Request Without Wait States, 32-Bit Bus .....                       | 45 |
| Figure 30 | Burst, Non-Pipelined Write Request With Wait States, 32-Bit Bus .....                          | 46 |
| Figure 31 | Burst, Non-Pipelined Read Request With Wait States, 16-Bit Bus .....                           | 47 |
| Figure 32 | Burst, Non-Pipelined Read Request With Wait States, 8-Bit Bus .....                            | 48 |
| Figure 33 | Non-Burst, Pipelined Read Request Without Wait States, 32-Bit Bus .....                        | 49 |
| Figure 34 | Non-Burst, Pipelined Read Request With Wait States, 32-Bit Bus .....                           | 50 |
| Figure 35 | Burst, Pipelined Read Request Without Wait States, 32-Bit Bus .....                            | 51 |
| Figure 36 | Burst, Pipelined Read Request With Wait States, 32-Bit Bus .....                               | 52 |
| Figure 37 | Burst, Pipelined Read Request With Wait States, 16-Bit Bus .....                               | 53 |
| Figure 38 | Burst, Pipelined Read Request With Wait States, 8-Bit Bus .....                                | 54 |



## CONTENTS

PAGE

### LIST OF FIGURES (continued)

|           |  |    |
|-----------|--|----|
| Figure 39 | Using External $\overline{\text{READY}}$ .....   | 55 |
| Figure 40 | Terminating a Burst with $\overline{\text{BTERM}}$ .....                                 | 56 |
| Figure 41 | $\overline{\text{BOFF}}$ Functional Timing .....   | 57 |
| Figure 42 | $\overline{\text{HOLD}}$ Functional Timing .....   | 58 |
| Figure 43 | $\overline{\text{DREQ}}$ and $\overline{\text{DACK}}$ Functional Timing .....            | 59 |
| Figure 44 | $\overline{\text{EOP}}$ Functional Timing .....  | 59 |
| Figure 45 | Terminal Count Functional Timing .....   | 60 |
| Figure 46 | $\overline{\text{FAIL}}$ Functional Timing .....   | 60 |
| Figure 47 | A Summary of Aligned and Unaligned Transfers for Little Endian Regions .....             | 61 |
| Figure 48 | A Summary of Aligned and Unaligned Transfers for Little Endian Regions (Continued) ..... | 62 |
| Figure 49 | Idle Bus Operation .....   | 63 |

### LIST OF TABLES

|          |  |    |
|----------|--|----|
| Table 1  | 80960CA Instruction Set .....  | 3  |
| Table 2  | Pin Description Nomenclature .....                                     | 4  |
| Table 3  | 80960CA Pin Description — External Bus Signals .....                   | 5  |
| Table 4  | 80960CA Pin Description — Processor Control Signals .....              | 8  |
| Table 5  | 80960CA Pin Description — DMA and Interrupt Unit Control Signals ..... | 10 |
| Table 6  | 80960CA PGA Pinout — In Signal Order .....                             | 11 |
| Table 7  | 80960CA PGA Pinout — In Pin Order .....                                | 12 |
| Table 8  | 80960CA PQFP Pinout — In Signal Order .....                            | 15 |
| Table 9  | 80960CA PQFP Pinout — In Pin Order .....                               | 16 |
| Table 10 | Maximum $T_A$ at Various Airflows in °C (PGA Package Only) .....       | 18 |
| Table 11 | 80960CA PGA Package Thermal Characteristics .....                      | 19 |
| Table 12 | 80960CA PQFP Package Thermal Characteristics .....                     | 19 |
| Table 13 | Die Stepping Cross Reference .....                                     | 20 |
| Table 14 | Operating Conditions (80960CA-33, -25, -16) .....                      | 21 |
| Table 15 | DC Characteristics .....   | 22 |
| Table 16 | 80960CA AC Characteristics (33 MHz) .....                              | 23 |
| Table 17 | 80960CA AC Characteristics (25 MHz) .....                              | 25 |
| Table 18 | 80960CA AC Characteristics (16 MHz) .....                              | 27 |
| Table 19 | Reset Conditions .....   | 35 |
| Table 20 | Hold Acknowledge and Backoff Conditions .....                          | 35 |



### 1.0 PURPOSE

This document provides electrical characteristics for the 33, 25 and 16 MHz versions of the 80960CA. For a detailed description of any 80960CA functional topic—other than parametric performance—consult the *80960CA Product Overview* (Order No. 270669) or the *i960® CA Microprocessor User's Manual* (Order No. 270710). To obtain data sheet updates and errata, please call Intel's FaxBACK® data-on-demand system (1-800-628-2283 or 916-356-3105). Other information can be obtained from Intel's technical BBS (916-356-3600).

### 2.0 80960CA OVERVIEW

The 80960CA is the second-generation member of the 80960 family of embedded processors. The 80960CA is object code compatible with the 32-bit 80960 Core Architecture while including Special Function Register extensions to control on-chip peripherals and instruction set extensions to shift 64-bit operands and configure on-chip hardware. Multiple 128-bit internal buses, on-chip instruction caching and a sophisticated instruction scheduler allow the processor to sustain execution of two instructions every clock and peak at execution of three instructions per clock.

A 32-bit demultiplexed and pipelined burst bus provides a 132 Mbyte/s bandwidth to a system's high-speed external memory sub-system. In addition, the 80960CA's on-chip caching of instructions, procedure context and critical program data substantially decouple system performance from the wait states associated with accesses to the system's slower, cost sensitive, main memory subsystem.

The 80960CA bus controller integrates full wait state and bus width control for highest system performance with minimal system design complexity. Unaligned access and Big Endian byte order support reduces the cost of porting existing applications to the 80960CA.

The processor also integrates four complete data-chaining DMA channels and a high-speed interrupt controller on-chip. DMA channels perform: single-cycle or two-cycle transfers, data packing and unpacking and data chaining. Block transfers—in addition to source or destination synchronized transfers—are provided.

The interrupt controller provides full programmability of 248 interrupt sources into 32 priority levels with a typical interrupt task switch ("latency") time of 750 ns.

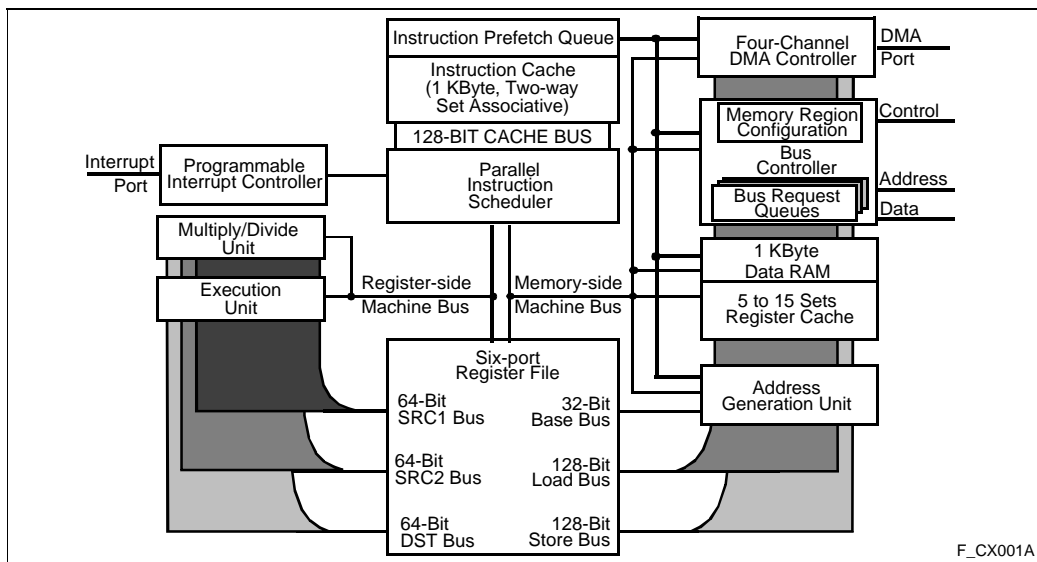


Figure 1. 80960CA Block Diagram

## 2.1 The C-Series Core

The C-Series core is a very high performance microarchitectural implementation of the 80960 Core Architecture. The C-Series core can sustain execution of two instructions per clock (66 MIPs at 33 MHz). To achieve this level of performance, Intel has incorporated state-of-the-art silicon technology and innovative microarchitectural constructs into the implementation of the C-Series core. Factors that contribute to the core's performance include:

- Parallel instruction decoding allows issuance of up to three instructions per clock
- Single-clock execution of most instructions
- Parallel instruction decode allows sustained, simultaneous execution of two single-clock instructions every clock cycle
- Efficient instruction pipeline minimizes pipeline break losses
- Register and resource scoreboarding allow simultaneous multi-clock instruction execution
- Branch look-ahead and prediction allows many branches to execute with no pipeline break
- Local Register Cache integrated on-chip caches Call/Return context
- Two-way set associative, 1 Kbyte integrated instruction cache
- 1 Kbyte integrated Data RAM sustains a four-word (128-bit) access every clock cycle

## 2.2 Pipelined, Burst Bus

A 32-bit high performance bus controller interfaces the 80960CA to external memory and peripherals. The Bus Control Unit features a maximum transfer rate of 132 Mbytes per second (at 33 MHz). Internally programmable wait states and 16 separately configurable memory regions allow the processor to interface with a variety of memory subsystems with a minimum of system complexity and a maximum of performance. The Bus Controller's main features include:

- Demultiplexed, Burst Bus to exploit most efficient DRAM access modes
- Address Pipelining to reduce memory cost while maintaining performance
- 32-, 16- and 8-bit modes for I/O interfacing ease
- Full internal wait state generation to reduce system cost
- Little and Big Endian support to ease application development
- Unaligned access support for code portability
- Three-deep request queue to decouple the bus from the core

## 2.3 Flexible DMA Controller

A four-channel DMA controller provides high speed DMA control for data transfers involving peripherals and memory. The DMA provides advanced features such as data chaining, byte assembly and disassembly and a high performance fly-by mode capable of transfer speeds of up to 59 Mbytes per second at 33 MHz. The DMA controller features a performance and flexibility which is only possible by integrating the DMA controller and the 80960CA core.

## 2.4 Priority Interrupt Controller

A programmable-priority interrupt controller manages up to 248 external sources through the 8-bit external interrupt port. The Interrupt Unit also handles the four internal sources from the DMA controller and a single non-maskable interrupt input. The 8-bit interrupt port can also be configured to provide individual interrupt sources that are level or edge triggered.

Interrupts in the 80960CA are prioritized and signaled within 270 ns of the request. If the interrupt is of higher priority than the processor priority, the context switch to the interrupt routine typically is complete in another 480 ns. The interrupt unit provides the mechanism for the low latency and high throughput interrupt service which is essential for embedded applications.



## 2.5 Instruction Set Summary

Table 1 summarizes the 80960CA instruction set by logical groupings. See the *i960® CA Microprocessor User's Manual* for a complete description of the instruction set.

**Table 1. 80960CA Instruction Set**

| <b>Data Movement</b>   | <b>Arithmetic</b>   | <b>Logical</b>   | <b>Bit and Bit Field and Byte</b>   |
|--|---|--|---|
| Load<br>Store<br>Move<br>Load Address  | Add<br>Subtract<br>Multiply<br>Divide<br>Remainder<br>Modulo<br>Shift<br>*Extended Shift<br>Extended Multiply<br>Extended Divide<br>Add with Carry<br>Subtract with Carry<br>Rotate | And<br>Not And<br>And Not<br>Or<br>Exclusive Or<br>Not Or<br>Or Not<br>Nor<br>Exclusive Nor<br>Not<br>Nand | Set Bit<br>Clear Bit<br>Not Bit<br>Alter Bit<br>Scan For Bit<br>Span Over Bit<br>Extract<br>Modify<br>Scan Byte for Equal |
| <b>Comparison</b>  | <b>Branch</b>   | <b>Call/Return</b>   | <b>Fault</b>  |
| Compare<br>Conditional Compare<br>Compare and Increment<br>Compare and Decrement<br>Test Condition Code<br>Check Bit | Unconditional Branch<br>Conditional Branch<br>Compare and Branch  | Call<br>Call Extended<br>Call System<br>Return<br>Branch and Link  | Conditional Fault<br>Synchronize Faults   |
| <b>Debug</b>   | <b>Processor Management</b>   | <b>Atomic</b>  |   |
| Modify Trace Controls<br>Mark<br>Force Mark  | Flush Local Registers<br>Modify Arithmetic Controls<br>Modify Process Controls<br>*System Control<br>*DMA Control   | Atomic Add<br>Atomic Modify  |   |

**NOTES:**

Instructions marked by (\*) are 80960CA extensions to the 80960 instruction set.

### 3.0 PACKAGE INFORMATION

#### 3.1 Package Introduction

This section describes the pins, pinouts and thermal characteristics for the 80960CA in the 168-pin Ceramic Pin Grid Array (PGA) package and the 196-pin Plastic Quad Flat Package (PQFP). For complete package specifications and information, see the *Packaging Handbook* (Order No. 240800).

#### 3.2 Pin Descriptions

The 80960CA pins are described in this section. Table 2 presents the legend for interpreting the pin descriptions in the following tables. Pins associated with the 32-bit demultiplexed processor bus are described in Table 3. Pins associated with basic processor configuration and control are described in Table 4. Pins associated with the 80960CA DMA Controller and Interrupt Unit are described in Table 5.

All pins float while the processor is in the ONCE mode.

Table 2. Pin Description Nomenclature

| Symbol | Description  |
|--------|--|
| I      | Input only pin   |
| O      | Output only pin  |
| I/O    | Pin can be either an input or output   |
| –      | Pins “must be” connected as described  |
| S(...) | Synchronous. Inputs must meet setup and hold times relative to PCLK2:1 for proper operation. All outputs are synchronous to PCLK2:1.<br>S(E) Edge sensitive input<br>S(L) Level sensitive input      |
| A(...) | Asynchronous. Inputs may be asynchronous to PCLK2:1.<br>A(E) Edge sensitive input<br>A(L) Level sensitive input  |
| H(...) | While the processor’s bus is in the Hold Acknowledge or Bus Backoff state, the pin:<br>H(1) is driven to $V_{CC}$<br>H(0) is driven to $V_{SS}$<br>H(Z) floats<br>H(Q) continues to be a valid input |
| R(...) | While the processor’s $\overline{\text{RESET}}$ pin is low, the pin:<br>R(1) is driven to $V_{CC}$<br>R(0) is driven to $V_{SS}$<br>R(Z) floats<br>R(Q) continues to be a valid output               |



Table 3. 80960CA Pin Description — External Bus Signals (Sheet 1 of 3)

| Name                               | Type                                   | Description  |                  |                |                |                  |                |                |                  |                |               |                  |                |              |                  |  |               |                  |                                |  |                  |                     |  |                  |                                       |              |                  |                                |  |                  |                                |  |                  |                     |  |                  |                     |  |
|------------------------------------|--|--|------------------|----------------|----------------|------------------|----------------|----------------|------------------|----------------|---------------|------------------|----------------|--------------|------------------|--|---------------|------------------|--------------------------------|--|------------------|---------------------|--|------------------|---------------------------------------|--------------|------------------|--------------------------------|--|------------------|--------------------------------|--|------------------|---------------------|--|------------------|---------------------|--|
| <b>A31:2</b>                       | O<br>S<br>H(Z)<br>R(Z)                 | <b>ADDRESS BUS</b> carries the physical address' upper 30 bits. A31 is the most significant address bit; A2 is the least significant. During a bus access, A31:2 identify all external addresses to word (4-byte) boundaries. The byte enable signals indicate the selected byte in each word. During burst accesses, A3:2 increment to indicate successive data cycles.   |                  |                |                |                  |                |                |                  |                |               |                  |                |              |                  |  |               |                  |                                |  |                  |                     |  |                  |                                       |              |                  |                                |  |                  |                                |  |                  |                     |  |                  |                     |  |
| <b>D31:0</b>                       | I/O<br>S(L)<br>H(Z)<br>R(Z)            | <b>DATA BUS</b> carries 32-, 16- or 8-bit data quantities depending on bus width configuration. The least significant bit of the data is carried on D0 and the most significant on D31. When the bus is configured for 8-bit data, the lower 8 data lines, D7:0 are used. For 16-bit data bus widths, D15:0 are used. For 32-bit bus widths the full data bus is used.   |                  |                |                |                  |                |                |                  |                |               |                  |                |              |                  |  |               |                  |                                |  |                  |                     |  |                  |                                       |              |                  |                                |  |                  |                                |  |                  |                     |  |                  |                     |  |
| <b>BE3:0</b>                       | O<br>S<br>H(Z)<br>R(1)                 | <p><b>BYTE ENABLES</b> select which of the four bytes addressed by A31:2 are active during an access to a memory region configured for a 32-bit data-bus width. <math>\overline{BE3}</math> applies to D31:24; <math>\overline{BE2}</math> applies to D23:16; <math>\overline{BE1}</math> applies to D15:8 <math>\overline{BE0}</math> applies to D7:0.</p> <p>32-bit bus:</p> <table border="0"> <tr> <td><math>\overline{BE3}</math></td> <td>–Byte Enable 3</td> <td>–enable D31:24</td> </tr> <tr> <td><math>\overline{BE2}</math></td> <td>–Byte Enable 2</td> <td>–enable D23:16</td> </tr> <tr> <td><math>\overline{BE1}</math></td> <td>–Byte Enable 1</td> <td>–enable D15:8</td> </tr> <tr> <td><math>\overline{BE0}</math></td> <td>–Byte Enable 0</td> <td>–enable D7:0</td> </tr> </table> <p>For accesses to a memory region configured for a 16-bit data-bus width, the processor uses the <math>\overline{BE3}</math>, <math>\overline{BE1}</math> and <math>\overline{BE0}</math> pins as <math>\overline{BHE}</math>, A1 and <math>\overline{BLE}</math> respectively.</p> <p>16-bit bus:</p> <table border="0"> <tr> <td><math>\overline{BE3}</math></td> <td>–Byte High Enable (<math>\overline{BHE}</math>)</td> <td>–enable D15:8</td> </tr> <tr> <td><math>\overline{BE2}</math></td> <td>–Not used (driven high or low)</td> <td></td> </tr> <tr> <td><math>\overline{BE1}</math></td> <td>–Address Bit 1 (A1)</td> <td></td> </tr> <tr> <td><math>\overline{BE0}</math></td> <td>–Byte Low Enable (<math>\overline{BLE}</math>)</td> <td>–enable D7:0</td> </tr> </table> <p>For accesses to a memory region configured for an 8-bit data-bus width, the processor uses the <math>\overline{BE1}</math> and <math>\overline{BE0}</math> pins as A1 and A0 respectively.</p> <p>8-bit bus:</p> <table border="0"> <tr> <td><math>\overline{BE3}</math></td> <td>–Not used (driven high or low)</td> <td></td> </tr> <tr> <td><math>\overline{BE2}</math></td> <td>–Not used (driven high or low)</td> <td></td> </tr> <tr> <td><math>\overline{BE1}</math></td> <td>–Address Bit 1 (A1)</td> <td></td> </tr> <tr> <td><math>\overline{BE0}</math></td> <td>–Address Bit 0 (A0)</td> <td></td> </tr> </table> | $\overline{BE3}$ | –Byte Enable 3 | –enable D31:24 | $\overline{BE2}$ | –Byte Enable 2 | –enable D23:16 | $\overline{BE1}$ | –Byte Enable 1 | –enable D15:8 | $\overline{BE0}$ | –Byte Enable 0 | –enable D7:0 | $\overline{BE3}$ | –Byte High Enable ( $\overline{BHE}$ ) | –enable D15:8 | $\overline{BE2}$ | –Not used (driven high or low) |  | $\overline{BE1}$ | –Address Bit 1 (A1) |  | $\overline{BE0}$ | –Byte Low Enable ( $\overline{BLE}$ ) | –enable D7:0 | $\overline{BE3}$ | –Not used (driven high or low) |  | $\overline{BE2}$ | –Not used (driven high or low) |  | $\overline{BE1}$ | –Address Bit 1 (A1) |  | $\overline{BE0}$ | –Address Bit 0 (A0) |  |
| $\overline{BE3}$                   | –Byte Enable 3                         | –enable D31:24   |                  |                |                |                  |                |                |                  |                |               |                  |                |              |                  |  |               |                  |                                |  |                  |                     |  |                  |                                       |              |                  |                                |  |                  |                                |  |                  |                     |  |                  |                     |  |
| $\overline{BE2}$                   | –Byte Enable 2                         | –enable D23:16   |                  |                |                |                  |                |                |                  |                |               |                  |                |              |                  |  |               |                  |                                |  |                  |                     |  |                  |                                       |              |                  |                                |  |                  |                                |  |                  |                     |  |                  |                     |  |
| $\overline{BE1}$                   | –Byte Enable 1                         | –enable D15:8  |                  |                |                |                  |                |                |                  |                |               |                  |                |              |                  |  |               |                  |                                |  |                  |                     |  |                  |                                       |              |                  |                                |  |                  |                                |  |                  |                     |  |                  |                     |  |
| $\overline{BE0}$                   | –Byte Enable 0                         | –enable D7:0   |                  |                |                |                  |                |                |                  |                |               |                  |                |              |                  |  |               |                  |                                |  |                  |                     |  |                  |                                       |              |                  |                                |  |                  |                                |  |                  |                     |  |                  |                     |  |
| $\overline{BE3}$                   | –Byte High Enable ( $\overline{BHE}$ ) | –enable D15:8  |                  |                |                |                  |                |                |                  |                |               |                  |                |              |                  |  |               |                  |                                |  |                  |                     |  |                  |                                       |              |                  |                                |  |                  |                                |  |                  |                     |  |                  |                     |  |
| $\overline{BE2}$                   | –Not used (driven high or low)         |  |                  |                |                |                  |                |                |                  |                |               |                  |                |              |                  |  |               |                  |                                |  |                  |                     |  |                  |                                       |              |                  |                                |  |                  |                                |  |                  |                     |  |                  |                     |  |
| $\overline{BE1}$                   | –Address Bit 1 (A1)                    |  |                  |                |                |                  |                |                |                  |                |               |                  |                |              |                  |  |               |                  |                                |  |                  |                     |  |                  |                                       |              |                  |                                |  |                  |                                |  |                  |                     |  |                  |                     |  |
| $\overline{BE0}$                   | –Byte Low Enable ( $\overline{BLE}$ )  | –enable D7:0   |                  |                |                |                  |                |                |                  |                |               |                  |                |              |                  |  |               |                  |                                |  |                  |                     |  |                  |                                       |              |                  |                                |  |                  |                                |  |                  |                     |  |                  |                     |  |
| $\overline{BE3}$                   | –Not used (driven high or low)         |  |                  |                |                |                  |                |                |                  |                |               |                  |                |              |                  |  |               |                  |                                |  |                  |                     |  |                  |                                       |              |                  |                                |  |                  |                                |  |                  |                     |  |                  |                     |  |
| $\overline{BE2}$                   | –Not used (driven high or low)         |  |                  |                |                |                  |                |                |                  |                |               |                  |                |              |                  |  |               |                  |                                |  |                  |                     |  |                  |                                       |              |                  |                                |  |                  |                                |  |                  |                     |  |                  |                     |  |
| $\overline{BE1}$                   | –Address Bit 1 (A1)                    |  |                  |                |                |                  |                |                |                  |                |               |                  |                |              |                  |  |               |                  |                                |  |                  |                     |  |                  |                                       |              |                  |                                |  |                  |                                |  |                  |                     |  |                  |                     |  |
| $\overline{BE0}$                   | –Address Bit 0 (A0)                    |  |                  |                |                |                  |                |                |                  |                |               |                  |                |              |                  |  |               |                  |                                |  |                  |                     |  |                  |                                       |              |                  |                                |  |                  |                                |  |                  |                     |  |                  |                     |  |
| <b><math>\overline{W/R}</math></b> | O<br>S<br>H(Z)<br>R(0)                 | <b>WRITE/READ</b> is asserted for read requests and deasserted for write requests. The $\overline{W/R}$ signal changes in the same clock cycle as $\overline{ADS}$ . It remains valid for the entire access in non-pipelined regions. In pipelined regions, $\overline{W/R}$ is not guaranteed to be valid in the last cycle of a read access.   |                  |                |                |                  |                |                |                  |                |               |                  |                |              |                  |  |               |                  |                                |  |                  |                     |  |                  |                                       |              |                  |                                |  |                  |                                |  |                  |                     |  |                  |                     |  |
| <b><math>\overline{ADS}</math></b> | O<br>S<br>H(Z)<br>R(1)                 | <b>ADDRESS STROBE</b> indicates a valid address and the start of a new bus access. $\overline{ADS}$ is asserted for the first clock of a bus access.   |                  |                |                |                  |                |                |                  |                |               |                  |                |              |                  |  |               |                  |                                |  |                  |                     |  |                  |                                       |              |                  |                                |  |                  |                                |  |                  |                     |  |                  |                     |  |

Table 3. 80960CA Pin Description — External Bus Signals (Sheet 2 of 3)

| Name         | Type                      | Description  |
|--------------|---------------------------|--|
| <b>READY</b> | I<br>S(L)<br>H(Z)<br>R(Z) | <b>READY</b> is an input which signals the termination of a data transfer. <b>READY</b> is used to indicate that read data on the bus is valid or that a write-data transfer has completed. The <b>READY</b> signal works in conjunction with the internally programmed wait-state generator. If <b>READY</b> is enabled in a region, the pin is sampled after the programmed number of wait-states has expired. If the <b>READY</b> pin is deasserted, wait states continue to be inserted until <b>READY</b> becomes asserted. This is true for the $N_{RAD}$ , $N_{RDD}$ , $N_{WAD}$ and $N_{WDD}$ wait states. The $N_{XDA}$ wait states cannot be extended. |
| <b>BTERM</b> | I<br>S(L)<br>H(Z)<br>R(Z) | <b>BURST TERMINATE</b> is an input which breaks up a burst access and causes another address cycle to occur. The <b>BTERM</b> signal works in conjunction with the internally programmed wait-state generator. If <b>READY</b> and <b>BTERM</b> are enabled in a region, the <b>BTERM</b> pin is sampled after the programmed number of wait states has expired. When <b>BTERM</b> is asserted, a new <b>ADS</b> signal is generated and the access is completed. The <b>READY</b> input is ignored when <b>BTERM</b> is asserted. <b>BTERM</b> must be externally synchronized to satisfy <b>BTERM</b> setup and hold times.                                    |
| <b>WAIT</b>  | O<br>S<br>H(Z)<br>R(1)    | <b>WAIT</b> indicates internal wait state generator status. <b>WAIT</b> is asserted when wait states are being caused by the internal wait state generator and not by the <b>READY</b> or <b>BTERM</b> inputs. <b>WAIT</b> can be used to derive a write-data strobe. <b>WAIT</b> can also be thought of as a <b>READY</b> output that the processor provides when it is inserting wait states.  |
| <b>BLAST</b> | O<br>S<br>H(Z)<br>R(0)    | <b>BURST LAST</b> indicates the last transfer in a bus access. <b>BLAST</b> is asserted in the last data transfer of burst and non-burst accesses after the wait state counter reaches zero. <b>BLAST</b> remains asserted until the clock following the last cycle of the last data transfer of a bus access. If the <b>READY</b> or <b>BTERM</b> input is used to extend wait states, the <b>BLAST</b> signal remains asserted until <b>READY</b> or <b>BTERM</b> terminates the access.   |
| <b>DT/R</b>  | O<br>S<br>H(Z)<br>R(0)    | <b>DATA TRANSMIT/RECEIVE</b> indicates direction for data transceivers. <b>DT/R</b> is used in conjunction with <b>DEN</b> to provide control for data transceivers attached to the external bus. When <b>DT/R</b> is asserted, the signal indicates that the processor receives data. Conversely, when deasserted, the processor sends data. <b>DT/R</b> changes only while <b>DEN</b> is high.   |
| <b>DEN</b>   | O<br>S<br>H(Z)<br>R(1)    | <b>DATA ENABLE</b> indicates data cycles in a bus request. <b>DEN</b> is asserted at the start of the bus request first data cycle and is deasserted at the end of the last data cycle. <b>DEN</b> is used in conjunction with <b>DT/R</b> to provide control for data transceivers attached to the external bus. <b>DEN</b> remains asserted for sequential reads from pipelined memory regions. <b>DEN</b> is deasserted when <b>DT/R</b> changes.   |
| <b>LOCK</b>  | O<br>S<br>H(Z)<br>R(1)    | <b>BUS LOCK</b> indicates that an atomic read-modify-write operation is in progress. <b>LOCK</b> may be used to prevent external agents from accessing memory which is currently involved in an atomic operation. <b>LOCK</b> is asserted in the first clock of an atomic operation and deasserted in the clock cycle following the last bus access for the atomic operation. To allow the most flexibility for memory system enforcement of locked accesses, the processor acknowledges a bus hold request when <b>LOCK</b> is asserted. The processor performs DMA transfers while <b>LOCK</b> is active.  |
| <b>HOLD</b>  | I<br>S(L)<br>H(Z)<br>R(Z) | <b>HOLD REQUEST</b> signals that an external agent requests access to the external bus. The processor asserts <b>HOLDA</b> after completing the current bus request. <b>HOLD</b> , <b>HOLDA</b> and <b>BREQ</b> are used together to arbitrate access to the processor's external bus by external bus agents.  |

Table 3. 80960CA Pin Description — External Bus Signals (Sheet 3 of 3)

| Name                     | Type                      | Description  |
|--------------------------|---------------------------|--|
| $\overline{\text{BOFF}}$ | I<br>S(L)<br>H(Z)<br>R(Z) | <b>BUS BACKOFF</b> , when asserted, suspends the current access and causes the bus pins to float. When $\overline{\text{BOFF}}$ is deasserted, the $\overline{\text{ADS}}$ signal is asserted on the next clock cycle and the access is resumed.   |
| HOLDA                    | O<br>S<br>H(1)<br>R(Q)    | <b>HOLD ACKNOWLEDGE</b> indicates to a bus requestor that the processor has relinquished control of the external bus. When HOLDA is asserted, the external address bus, data bus and bus control signals are floated. HOLD, $\overline{\text{BOFF}}$ , HOLDA and BREQ are used together to arbitrate access to the processor's external bus by external bus agents. Since the processor grants HOLD requests and enters the Hold Acknowledge state even while $\overline{\text{RESET}}$ is asserted, the state of the HOLDA pin is independent of the $\overline{\text{RESET}}$ pin. |
| BREQ                     | O<br>S<br>H(Q)<br>R(0)    | <b>BUS REQUEST</b> is asserted when the bus controller has a request pending. BREQ can be used by external bus arbitration logic in conjunction with HOLD and HOLDA to determine when to return mastership of the external bus to the processor.   |
| $\overline{\text{D/C}}$  | O<br>S<br>H(Z)<br>R(Z)    | <b>DATA OR CODE</b> is asserted for a data request and deasserted for instruction requests. $\overline{\text{D/C}}$ has the same timing as W/R.  |
| $\overline{\text{DMA}}$  | O<br>S<br>H(Z)<br>R(Z)    | <b>DMA ACCESS</b> indicates whether the bus request was initiated by the DMA controller. $\overline{\text{DMA}}$ is asserted for any DMA request. $\overline{\text{DMA}}$ is deasserted for all other requests.  |
| SUP                      | O<br>S<br>H(Z)<br>R(Z)    | <b>SUPERVISOR ACCESS</b> indicates whether the bus request is issued while in supervisor mode. $\overline{\text{SUP}}$ is asserted when the request has supervisor privileges and is deasserted otherwise. $\overline{\text{SUP}}$ can be used to isolate supervisor code and data structures from non-supervisor requests.  |

Table 4. 80960CA Pin Description — Processor Control Signals (Sheet 1 of 2)

| Name         | Type                      | Description   |
|--------------|---------------------------|---|
| <b>RESET</b> | I<br>A(L)<br>H(Z)<br>R(Z) | <p><b>RESET</b> causes the chip to reset. When <b>RESET</b> is asserted, all external signals return to the reset state. When <b>RESET</b> is deasserted, initialization begins. When the 2-x clock mode is selected, <b>RESET</b> must remain asserted for 32 CLKIN cycles before being deasserted to guarantee correct processor initialization. When the 1-x clock mode is selected, <b>RESET</b> must remain asserted for 10,000 CLKIN cycles before being deasserted to guarantee correct processor initialization. The CLKMODE pin selects 1-x or 2-x input clock division of the CLKIN pin.</p> <p>The processor's Hold Acknowledge bus state functions while the chip is reset. If the processor's bus is in the Hold Acknowledge state when <b>RESET</b> is asserted, the processor will internally reset, but maintains the Hold Acknowledge state on external pins until the Hold request is removed. If a Hold request is made while the processor is in the reset state, the processor bus will grant HOLDA and enter the Hold Acknowledge state.</p>  |
| <b>FAIL</b>  | O<br>S<br>H(Q)<br>R(0)    | <p><b>FAIL</b> indicates failure of the processor's self-test performed at initialization. When <b>RESET</b> is deasserted and the processor begins initialization, the <b>FAIL</b> pin is asserted. An internal self-test is performed as part of the initialization process. If this self-test passes, the <b>FAIL</b> pin is deasserted; otherwise it remains asserted. The <b>FAIL</b> pin is reasserted while the processor performs an external bus self-confidence test. If this self-test passes, the processor deasserts the <b>FAIL</b> pin and branches to the user's initialization routine; otherwise the <b>FAIL</b> pin remains asserted. Internal self-test and the use of the <b>FAIL</b> pin can be disabled with the <b>STEST</b> pin.</p>   |
| <b>STEST</b> | I<br>S(L)<br>H(Z)<br>R(Z) | <p><b>SELF TEST</b> causes the processor's internal self-test feature to be enabled or disabled at initialization. <b>STEST</b> is read on the rising edge of <b>RESET</b>. When asserted, the processor's internal self-test and external bus confidence tests are performed during processor initialization. When deasserted, only the bus confidence tests are performed during initialization.</p>  |
| <b>ONCE</b>  | I<br>A(L)<br>H(Z)<br>R(Z) | <p><b>ON CIRCUIT EMULATION</b>, when asserted, causes all outputs to be floated. <b>ONCE</b> is continuously sampled while <b>RESET</b> is low and is latched on the rising edge of <b>RESET</b>. To place the processor in the <b>ONCE</b> state:</p> <ol style="list-style-type: none"> <li>(1) assert <b>RESET</b> and <b>ONCE</b> (order does not matter)</li> <li>(2) wait for at least 16 CLKIN periods in 2-x mode—or 10,000 CLKIN periods in 1-x mode—after <math>V_{CC}</math> and CLKIN are within operating specifications</li> <li>(3) deassert <b>RESET</b></li> <li>(4) wait at least 32 CLKIN periods</li> </ol> <p>(The processor will now be latched in the <b>ONCE</b> state as long as <b>RESET</b> is high.)</p> <p>To exit the <b>ONCE</b> state, bring <math>V_{CC}</math> and CLKIN to operating conditions, then assert <b>RESET</b> and bring <b>ONCE</b> high prior to deasserting <b>RESET</b>.</p> <p>CLKIN must operate within the specified operating conditions of the processor until Step 4 above has been completed. CLKIN may then be changed to DC to achieve the lowest possible <b>ONCE</b> mode leakage current.</p> <p><b>ONCE</b> can be used by emulator products or for board testers to effectively make an installed processor transparent in the board.</p> |

Table 4. 80960CA Pin Description — Processor Control Signals (Sheet 2 of 2)

| Name                     | Type                             | Description   |
|--------------------------|----------------------------------|---|
| <b>CLKIN</b>             | <b>I</b><br>A(E)<br>H(Z)<br>R(Z) | <b>CLOCK INPUT</b> is an input for the external clock needed to run the processor. The external clock is internally divided as prescribed by the CLKMODE pin to produce PCLK2:1.  |
| <b>CLKMODE</b>           | <b>I</b><br>A(L)<br>H(Z)<br>R(Z) | <b>CLOCK MODE</b> selects the division factor applied to the external clock input (CLKIN). When CLKMODE is high, CLKIN is divided by one to create PCLK2:1 and the processor's internal clock. When CLKMODE is low, CLKIN is divided by two to create PCLK2:1 and the processor's internal clock. CLKMODE should be tied high or low in a system as the clock mode is not latched by the processor. If left unconnected, the processor will internally pull the CLKMODE pin low, enabling the 2-x clock mode. |
| <b>PCLK2:1</b>           | <b>O</b><br>S<br>H(Q)<br>R(Q)    | <b>PROCESSOR OUTPUT CLOCKS</b> provide a timing reference for all processor inputs and outputs. All input and output timings are specified in relation to PCLK2 and PCLK1. PCLK2 and PCLK1 are identical signals. Two output pins are provided to allow flexibility in the system's allocation of capacitive loading on the clock. PCLK2:1 may also be connected at the processor to form a single clock signal.  |
| <b>V<sub>SS</sub></b>    | –                                | <b>GROUND</b> connections must be connected externally to a V <sub>SS</sub> board plane.  |
| <b>V<sub>CC</sub></b>    | –                                | <b>POWER</b> connections must be connected externally to a V <sub>CC</sub> board plane.   |
| <b>V<sub>CCPLL</sub></b> | –                                | <b>V<sub>CCPLL</sub></b> is a separate V <sub>CC</sub> supply pin for the phase lock loop used in 1-x clock mode. Connecting a simple lowpass filter to V <sub>CCPLL</sub> may help reduce clock jitter (T <sub>CP</sub> ) in noisy environments. Otherwise, V <sub>CCPLL</sub> should be connected to V <sub>CC</sub> . This pin is implemented starting with the D-stepping. See Table 13 for die stepping information.   |
| <b>NC</b>                | –                                | <b>NO CONNECT</b> pins must not be connected in a system.   |

Table 5. 80960CA Pin Description — DMA and Interrupt Unit Control Signals

| Name  | Type                          | Description   |
|---|-------------------------------|---|
| $\overline{\text{DREQ}}3:0$                     | I<br>A(L)<br>H(Z)<br>R(Z)     | <b>DMA REQUEST</b> causes a DMA transfer to be requested. Each of the four signals requests a transfer on a single channel. $\overline{\text{DREQ}}0$ requests channel 0, $\overline{\text{DREQ}}1$ requests channel 1, etc. When two or more channels are requested simultaneously, the channel with the highest priority is serviced first. The channel priority mode is programmable.  |
| $\overline{\text{DACK}}3:0$                     | O<br>S<br>H(1)<br>R(1)        | <b>DMA ACKNOWLEDGE</b> indicates that a DMA transfer is being executed. Each of the four signals acknowledges a transfer for a single channel. $\overline{\text{DACK}}0$ acknowledges channel 0, $\overline{\text{DACK}}1$ acknowledges channel 1, etc. $\overline{\text{DACK}}3:0$ are asserted when the requesting device of a DMA is accessed.   |
| $\overline{\text{EOP}}/\overline{\text{TC}}3:0$ | I/O<br>A(L)<br>H(Z/Q)<br>R(Z) | <b>END OF PROCESS/TERMINAL COUNT</b> can be programmed as either an input ( $\overline{\text{EOP}}3:0$ ) or as an output ( $\overline{\text{TC}}3:0$ ), but not both. Each pin is individually programmable. When programmed as an input, $\overline{\text{EOP}}x$ causes the termination of a current DMA transfer for the channel corresponding to the $\overline{\text{EOP}}x$ pin. $\overline{\text{EOP}}0$ corresponds to channel 0, $\overline{\text{EOP}}1$ corresponds to channel 1, etc. When a channel is configured for source <i>and</i> destination chaining, the EOP pin for that channel causes termination of <i>only</i> the current buffer transferred and causes the next buffer to be transferred. $\overline{\text{EOP}}3:0$ are asynchronous inputs.<br><br>When programmed as an output, the channel's $\overline{\text{TC}}x$ pin indicates that the channel byte count has reached 0 and a DMA has terminated. $\overline{\text{TC}}x$ is driven with the same timing as $\overline{\text{DACK}}x$ during the last DMA transfer for a buffer. If the last bus request is executed as multiple bus accesses, $\overline{\text{TC}}x$ will stay asserted for the entire bus request. |
| $\overline{\text{XINT}}7:0$                     | I<br>A(E/L)<br>H(Z)<br>R(Z)   | <b>EXTERNAL INTERRUPT PINS</b> cause interrupts to be requested. These pins can be configured in three modes:<br><br><b>Dedicated Mode:</b> each pin is a dedicated external interrupt source. Dedicated inputs can be individually programmed to be level (low) or edge (falling) activated.<br><br><b>Expanded Mode:</b> the eight pins act together as an 8-bit vectored interrupt source. The interrupt pins in this mode are level activated. Since the interrupt pins are active low, the vector number requested is the one's complement of the positive logic value placed on the port. This eliminates glue logic to interface to combinational priority encoders which output negative logic.<br><br><b>Mixed Mode:</b> $\overline{\text{XINT}}7:5$ are dedicated sources and $\overline{\text{XINT}}4:0$ act as the five most significant bits of an expanded mode vector. The least significant bits are set to 010 internally.   |
| $\overline{\text{NMI}}$                         | I<br>A(E)<br>H(Z)<br>R(Z)     | <b>NON-MASKABLE INTERRUPT</b> causes a non-maskable interrupt event to occur. $\overline{\text{NMI}}$ is the highest priority interrupt recognized. $\overline{\text{NMI}}$ is an edge (falling) activated source.  |

**3.3 80960CA Mechanical Data**

80960CA PGA pinout as viewed from the top side of the component (i.e., pins facing down). Figure 3 shows the complete 80960CA PGA pinout as viewed from the pin-side of the package (i.e., pins facing up). See **Section 4.0, ELECTRICAL SPECIFICATIONS** for specifications and recommended connections.

**3.3.1 80960CA PGA Pinout**

Tables 6 and 7 list the 80960CA pin names with package location. Figure 2 depicts the complete

**Table 6. 80960CA PGA Pinout — In Signal Order**

| Address Bus |     | Data Bus |     | Bus Control     |     | Processor Control  |     | I/O                 |     |
|-------------|-----|----------|-----|-----------------|-----|--|-----|---------------------|-----|
| Signal      | Pin | Signal   | Pin | Signal          | Pin | Signal   | Pin | Signal              | Pin |
| A31         | S15 | D31      | R3  | BE <sub>3</sub> | S5  | RESET  | A16 | DREQ <sub>3</sub>   | A7  |
| A30         | Q13 | D30      | Q5  | BE <sub>2</sub> | S6  |  |     | DREQ <sub>2</sub>   | B6  |
| A29         | R14 | D29      | S2  | BE <sub>1</sub> | S7  | FAIL   | A2  | DREQ <sub>1</sub>   | A6  |
| A28         | Q14 | D28      | Q4  | BE <sub>0</sub> | R9  |  |     | DREQ <sub>0</sub>   | B5  |
| A27         | S16 | D27      | R2  |                 |     | STEST  | B2  |                     |     |
| A26         | R15 | D26      | Q3  | W/R             | S10 |  |     | DACK <sub>3</sub>   | A10 |
| A25         | S17 | D25      | S1  |                 |     | ONCE   | C3  | DACK <sub>2</sub>   | A9  |
| A24         | Q15 | D24      | R1  | ADS             | R6  |  |     | DACK <sub>1</sub>   | A8  |
| A23         | R16 | D23      | Q2  |                 |     | CLKIN  | C13 | DACK <sub>0</sub>   | B8  |
| A22         | R17 | D22      | P3  | READY           | S3  | CLKMODE  | C14 |                     |     |
| A21         | Q16 | D21      | Q1  | BTERM           | R4  | PLCK1  | B14 | EOP/TC <sub>3</sub> | A14 |
| A20         | P15 | D20      | P2  |                 |     | PLCK2  | B13 | EOP/TC <sub>2</sub> | A13 |
| A19         | P16 | D19      | P1  | WAIT            | S12 |  |     | EOP/TC <sub>1</sub> | A12 |
| A18         | Q17 | D18      | N2  | BLAST           | S8  | V <sub>SS</sub>  |     | EOP/TC <sub>0</sub> | A11 |
| A17         | P17 | D17      | N1  |                 |     | Location   |     |                     |     |
| A16         | N16 | D16      | M1  | DT/R            | S11 | C7, C8, C9, C10, C11, C12, F15, G3, G15, H3, H15, J3, J15, K3, K15, L3, L15, M3, M15, Q7, Q8, Q9, Q10, Q11 |     | XINT <sub>7</sub>   | C17 |
| A15         | N17 | D15      | L1  | DEN             | S9  |  |     | XINT <sub>6</sub>   | C16 |
| A14         | M17 | D14      | L2  |                 |     |  |     | XINT <sub>5</sub>   | B17 |
| A13         | L16 | D13      | K1  | LOCK            | S14 |  |     | XINT <sub>4</sub>   | C15 |
| A12         | L17 | D12      | J1  |                 |     |  |     | XINT <sub>3</sub>   | B16 |
| A11         | K17 | D11      | H1  |                 |     | V <sub>CC</sub>  |     | XINT <sub>2</sub>   | A17 |
| A10         | J17 | D10      | H2  | HOLD            | R5  | Location   |     | XINT <sub>1</sub>   | A15 |
| A9          | H17 | D9       | G1  | HOLDA           | S4  | B7, B9, B11, B12, C6, E15, F3, F16, G2, H16, J2, J16, K2, K16, M2, M16, N3, N15, Q6, R7, R8, R10, R11      |     | XINT <sub>0</sub>   | B15 |
| A8          | G17 | D8       | F1  | BREQ            | R13 |  |     |                     |     |
| A7          | G16 | D7       | E1  |                 |     |  |     | NMI                 | D15 |
| A6          | F17 | D6       | F2  | D/C             | S13 |  |     |                     |     |
| A5          | E17 | D5       | D1  | DMA             | R12 |  |     |                     |     |
| A4          | E16 | D4       | E2  | SUP             | Q12 | V <sub>CCPLL</sub>   | B10 |                     |     |
| A3          | D17 | D3       | C1  |                 |     | No Connect   |     |                     |     |
| A2          | D16 | D2       | D2  | BOFF            | B1  | Location   |     |                     |     |
|             |     | D1       | C2  |                 |     | A1, A3, A4, A5, B3, B4, C4, C5, D3   |     |                     |     |
|             |     | D0       | E3  |                 |     |  |     |                     |     |

Table 7. 80960CA PGA Pinout — In Pin Order

| Pin | Signal                      | Pin | Signal                    | Pin | Signal          | Pin | Signal                  | Pin | Signal                    |
|-----|-----------------------------|-----|---------------------------|-----|-----------------|-----|-------------------------|-----|---------------------------|
| A1  | NC                          | C1  | D3                        | G1  | D9              | M1  | D16                     | R1  | D24                       |
| A2  | $\overline{\text{FAIL}}$    | C2  | D1                        | G2  | V <sub>CC</sub> | M2  | V <sub>CC</sub>         | R2  | D27                       |
| A3  | NC                          | C3  | $\overline{\text{ONCE}}$  | G3  | V <sub>SS</sub> | M3  | V <sub>SS</sub>         | R3  | D31                       |
| A4  | NC                          | C4  | NC                        | G15 | V <sub>SS</sub> | M15 | V <sub>SS</sub>         | R4  | $\overline{\text{BTERM}}$ |
| A5  | NC                          | C5  | NC                        | G16 | A7              | M16 | V <sub>CC</sub>         | R5  | HOLD                      |
| A6  | $\overline{\text{DREQ1}}$   | C6  | V <sub>CC</sub>           | G17 | A8              | M17 | A14                     | R6  | $\overline{\text{ADS}}$   |
| A7  | $\overline{\text{DREQ3}}$   | C7  | V <sub>SS</sub>           |     |                 |     |                         | R7  | V <sub>CC</sub>           |
| A8  | $\overline{\text{DACK1}}$   | C8  | V <sub>SS</sub>           | H1  | D11             | N1  | D17                     | R8  | V <sub>CC</sub>           |
| A9  | $\overline{\text{DACK2}}$   | C9  | V <sub>SS</sub>           | H2  | D10             | N2  | D18                     | R9  | $\overline{\text{BE0}}$   |
| A10 | $\overline{\text{DACK3}}$   | C10 | V <sub>SS</sub>           | H3  | V <sub>SS</sub> | N3  | V <sub>CC</sub>         | R10 | V <sub>CC</sub>           |
| A11 | $\overline{\text{EOP/TC0}}$ | C11 | V <sub>SS</sub>           | H15 | V <sub>SS</sub> | N15 | V <sub>CC</sub>         | R11 | V <sub>CC</sub>           |
| A12 | $\overline{\text{EOP/TC1}}$ | C12 | V <sub>SS</sub>           | H16 | V <sub>CC</sub> | N16 | A16                     | R12 | $\overline{\text{DMA}}$   |
| A13 | $\overline{\text{EOP/TC2}}$ | C13 | CLKIN                     | H17 | A9              | N17 | A15                     | R13 | BREQ                      |
| A14 | $\overline{\text{EOP/TC3}}$ | C14 | CLKMODE                   |     |                 |     |                         | R14 | A29                       |
| A15 | $\overline{\text{XINT1}}$   | C15 | $\overline{\text{XINT4}}$ | J1  | D12             | P1  | D19                     | R15 | A26                       |
| A16 | $\overline{\text{RESET}}$   | C16 | $\overline{\text{XINT6}}$ | J2  | V <sub>CC</sub> | P2  | D20                     | R16 | A23                       |
| A17 | $\overline{\text{XINT2}}$   | C17 | $\overline{\text{XINT7}}$ | J3  | V <sub>SS</sub> | P3  | D22                     | R17 | A22                       |
|     |                             |     |                           | J15 | V <sub>SS</sub> | P15 | A20                     |     |                           |
| B1  | $\overline{\text{BOFF}}$    | D1  | D5                        | J16 | V <sub>CC</sub> | P16 | A19                     | S1  | D25                       |
| B2  | STEST                       | D2  | D2                        | J17 | A10             | P17 | A17                     | S2  | D29                       |
| B3  | NC                          | D3  | NC                        |     |                 |     |                         | S3  | $\overline{\text{READY}}$ |
| B4  | NC                          | D15 | $\overline{\text{NMI}}$   | K1  | D13             | Q1  | D21                     | S4  | HOLDA                     |
| B5  | $\overline{\text{DREQ0}}$   | D16 | A2                        | K2  | V <sub>CC</sub> | Q2  | D23                     | S5  | $\overline{\text{BE3}}$   |
| B6  | $\overline{\text{DREQ2}}$   | D17 | A3                        | K3  | V <sub>SS</sub> | Q3  | D26                     | S6  | $\overline{\text{BE2}}$   |
| B7  | V <sub>CC</sub>             |     |                           | K15 | V <sub>SS</sub> | Q4  | D28                     | S7  | $\overline{\text{BE1}}$   |
| B8  | $\overline{\text{DACK0}}$   | E1  | D7                        | K16 | V <sub>CC</sub> | Q5  | D30                     | S8  | $\overline{\text{BLAST}}$ |
| B9  | V <sub>CC</sub>             | E2  | D4                        | K17 | A11             | Q6  | V <sub>CC</sub>         | S9  | $\overline{\text{DEN}}$   |
| B10 | V <sub>CCPLL</sub>          | E3  | D0                        |     |                 | Q7  | V <sub>SS</sub>         | S10 | $\overline{\text{W/R}}$   |
| B11 | V <sub>CC</sub>             | E15 | V <sub>CC</sub>           | L1  | D15             | Q8  | V <sub>SS</sub>         | S11 | $\overline{\text{DT/R}}$  |
| B12 | V <sub>CC</sub>             | E16 | A4                        | L2  | D14             | Q9  | V <sub>SS</sub>         | S12 | $\overline{\text{WAIT}}$  |
| B13 | PCLK2                       | E17 | A5                        | L3  | V <sub>SS</sub> | Q10 | V <sub>SS</sub>         | S13 | $\overline{\text{D/C}}$   |
| B14 | PCLK1                       |     |                           | L15 | V <sub>SS</sub> | Q11 | V <sub>SS</sub>         | S14 | $\overline{\text{LOCK}}$  |
| B15 | $\overline{\text{XINT0}}$   | F1  | D8                        | L16 | A13             | Q12 | $\overline{\text{SUP}}$ | S15 | A31                       |
| B16 | $\overline{\text{XINT3}}$   | F2  | D6                        | L17 | A12             | Q13 | A30                     | S16 | A27                       |
| B17 | $\overline{\text{XINT5}}$   | F3  | V <sub>CC</sub>           |     |                 | Q14 | A28                     | S17 | A25                       |
|     |                             | F15 | V <sub>SS</sub>           |     |                 | Q15 | A24                     |     |                           |
|     |                             | F16 | V <sub>CC</sub>           |     |                 | Q16 | A21                     |     |                           |
|     |                             | F17 | A6                        |     |                 | Q17 | A18                     |     |                           |



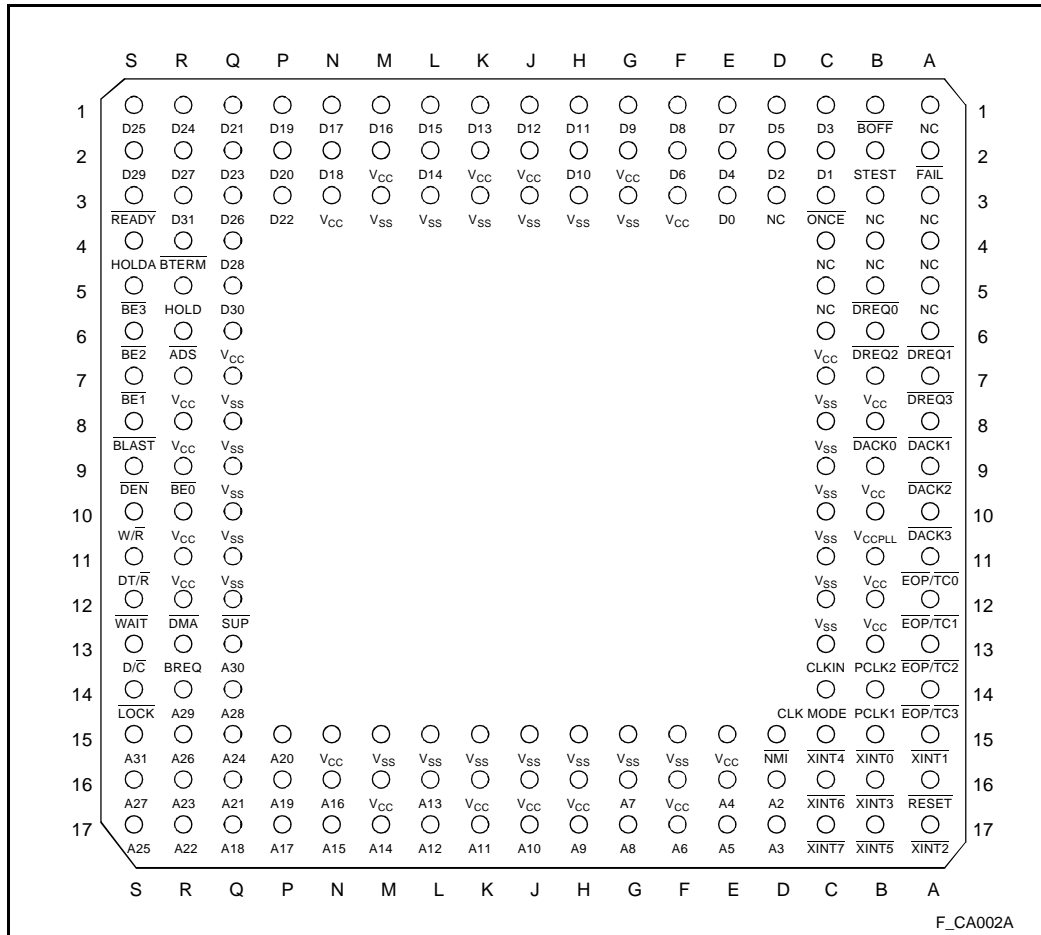


Figure 2. 80960CA PGA Pinout — View from Top (Pins Facing Down)

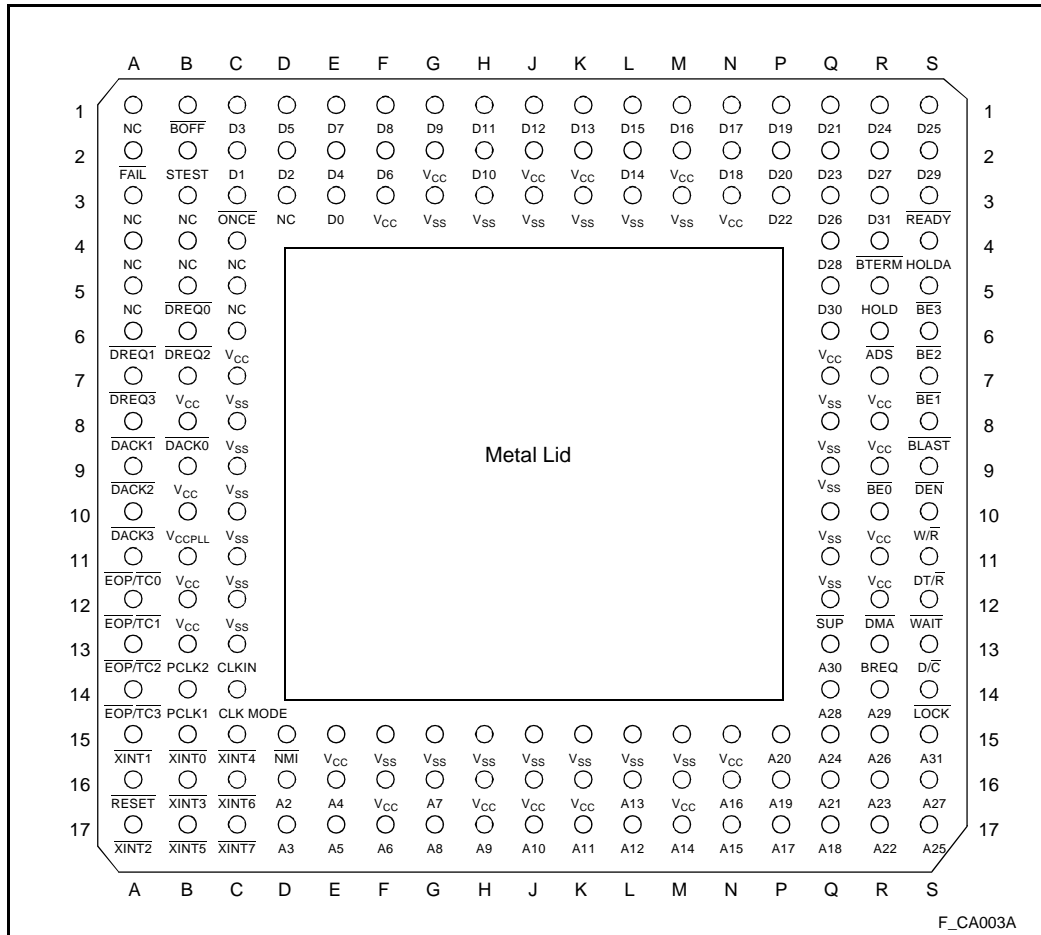


Figure 3. 80960CA PGA Pinout — View from Bottom (Pins Facing Up)



3.3.2 80960CA PQFP Pinout

See Section 4.0, ELECTRICAL SPECIFICATIONS for specifications and recommended connections.

Tables 8 and 9 list the 80960CA pin names with package location. Figure 4 shows the 80960CA PQFP pinout as viewed from the top side.

Table 8. 80960CA PQFP Pinout — In Signal Order

| Address Bus |     | Data Bus |     | Bus Control |     | Processor Control  |     | I/O     |         |     |
|-------------|-----|----------|-----|-------------|-----|--|-----|---------|---------|-----|
| Signal      | Pin | Signal   | Pin | Signal      | Pin | Signal   | Pin | Signal  | Pin     |     |
| A31         | 153 | D31      | 186 | BE3         | 176 | RESET  | 91  | DREQ3   | 60      |     |
| A30         | 152 | D30      | 187 | BE2         | 175 | FAIL   | 45  | DREQ2   | 59      |     |
| A29         | 151 | D29      | 188 | BE1         | 172 | STEST  | 46  | DREQ1   | 58      |     |
| A28         | 145 | D28      | 189 | BE0         | 170 | ONCE   | 43  | DREQ0   | 57      |     |
| A27         | 144 | D27      | 191 |             |     | CLKIN  | 87  |         |         |     |
| A26         | 143 | D26      | 192 | W/R         | 164 | CLKMODE  | 85  | DACK3   | 65      |     |
| A25         | 142 | D25      | 194 |             |     | PCLK2  | 74  | DACK2   | 64      |     |
| A24         | 141 | D24      | 195 | ADS         | 178 | PCLK1  | 78  | DACK1   | 63      |     |
| A23         | 139 | D23      | 3   |             |     | V <sub>SS</sub>  |     | DACK0   | 62      |     |
| A22         | 138 | D22      | 4   | READY       | 182 | Location   |     |         |         |     |
| A21         | 137 | D21      | 5   | BTERM       | 184 | 2, 7, 16, 24, 30, 38,<br>39, 49, 56, 70, 75,<br>77, 81, 83, 88, 89,<br>92, 98, 105, 109,<br>110, 121, 125, 131,<br>135, 147, 150, 161,<br>165, 173, 174, 185,<br>196 |     | EOP/TC3 | 69      |     |
| A20         | 136 | D20      | 6   |             |     |  |     |         | EOP/TC2 | 68  |
| A19         | 134 | D19      | 8   | WAIT        | 162 |  |     |         | EOP/TC1 | 67  |
| A18         | 133 | D18      | 9   | BLAST       | 169 |  |     |         | EOP/TC0 | 66  |
| A17         | 132 | D17      | 10  |             |     |  |     |         |         |     |
| A16         | 130 | D16      | 11  | DT/R        | 163 |  |     | XINT7   | 107     |     |
| A15         | 129 | D15      | 13  | DEN         | 167 | V <sub>CC</sub>  |     | XINT6   | 106     |     |
| A14         | 128 | D14      | 14  |             |     | Location   |     | XINT5   | 102     |     |
| A13         | 124 | D13      | 15  | LOCK        | 156 | 1, 12, 20, 28, 32, 37,<br>44, 50, 61, 71, 79,<br>82, 96, 99, 103, 115,<br>127, 140, 148, 154,<br>168, 171, 180, 190  |     | XINT4   | 101     |     |
| A12         | 123 | D12      | 17  |             |     |  |     |         | XINT3   | 100 |
| A11         | 122 | D11      | 18  | HOLD        | 181 |  |     |         | XINT2   | 95  |
| A10         | 120 | D10      | 19  | HOLDA       | 179 |  |     |         | XINT1   | 94  |
| A9          | 119 | D9       | 21  | BREQ        | 155 |  |     | XINT0   | 93      |     |
| A8          | 118 | D8       | 22  |             |     | V <sub>CCPLL</sub>   | 72  |         |         |     |
| A7          | 117 | D7       | 23  | D/C         | 159 | No Connect   |     | NMI     | 108     |     |
| A6          | 116 | D6       | 25  | DMA         | 160 | Location   |     |         |         |     |
| A5          | 114 | D5       | 26  | SUP         | 158 | 29, 31, 41, 42, 47,<br>48, 51, 52, 53, 54,<br>55, 73, 76, 80, 84,<br>86, 90, 97, 104, 126,<br>146, 149, 157, 166,<br>177, 183, 193                                   |     |         |         |     |
| A4          | 113 | D4       | 27  |             |     |  |     |         |         |     |
| A3          | 112 | D3       | 33  | BOFF        | 40  |  |     |         |         |     |
| A2          | 111 | D2       | 34  |             |     |  |     |         |         |     |
|             |     | D1       | 35  |             |     |  |     |         |         |     |
|             |     | D0       | 36  |             |     |  |     |         |         |     |

Table 9. 80960CA PQFP Pinout — In Pin Order

| Pin | Signal          | Pin | Signal                      | Pin | Signal                      | Pin | Signal                    | Pin | Signal                   | Pin | Signal                    |
|-----|-----------------|-----|-----------------------------|-----|-----------------------------|-----|---------------------------|-----|--------------------------|-----|---------------------------|
| 1   | V <sub>CC</sub> | 34  | D2                          | 67  | $\overline{\text{EOP/TC1}}$ | 100 | $\overline{\text{XINT3}}$ | 133 | A18                      | 166 | NC                        |
| 2   | V <sub>SS</sub> | 35  | D1                          | 68  | $\overline{\text{EOP/TC2}}$ | 101 | $\overline{\text{XINT4}}$ | 134 | A19                      | 167 | $\overline{\text{DEN}}$   |
| 3   | D23             | 36  | D0                          | 69  | $\overline{\text{EOP/TC3}}$ | 102 | $\overline{\text{XINT5}}$ | 135 | V <sub>SS</sub>          | 168 | V <sub>CC</sub>           |
| 4   | D22             | 37  | V <sub>CC</sub>             | 70  | V <sub>SS</sub>             | 103 | V <sub>CC</sub>           | 136 | A20                      | 169 | $\overline{\text{BLAST}}$ |
| 5   | D21             | 38  | V <sub>SS</sub>             | 71  | V <sub>CC</sub>             | 104 | NC                        | 137 | A21                      | 170 | $\overline{\text{BE0}}$   |
| 6   | D20             | 39  | V <sub>SS</sub>             | 72  | V <sub>CCPLL</sub>          | 105 | V <sub>SS</sub>           | 138 | A22                      | 171 | V <sub>CC</sub>           |
| 7   | V <sub>SS</sub> | 40  | $\overline{\text{BOFF}}$    | 73  | NC                          | 106 | $\overline{\text{XINT6}}$ | 139 | A23                      | 172 | $\overline{\text{BE1}}$   |
| 8   | D19             | 41  | NC                          | 74  | PCLK2                       | 107 | $\overline{\text{XINT7}}$ | 140 | V <sub>CC</sub>          | 173 | V <sub>SS</sub>           |
| 9   | D18             | 42  | NC                          | 75  | V <sub>SS</sub>             | 108 | $\overline{\text{NMI}}$   | 141 | A24                      | 174 | V <sub>SS</sub>           |
| 10  | D17             | 43  | $\overline{\text{ONCE}}$    | 76  | NC                          | 109 | V <sub>SS</sub>           | 142 | A25                      | 175 | $\overline{\text{BE2}}$   |
| 11  | D16             | 44  | V <sub>CC</sub>             | 77  | V <sub>SS</sub>             | 110 | V <sub>SS</sub>           | 143 | A26                      | 176 | $\overline{\text{BE3}}$   |
| 12  | V <sub>CC</sub> | 45  | $\overline{\text{FAIL}}$    | 78  | PCLK1                       | 111 | A2                        | 144 | A27                      | 177 | NC                        |
| 13  | D15             | 46  | STEST                       | 79  | V <sub>CC</sub>             | 112 | A3                        | 145 | A28                      | 178 | $\overline{\text{ADS}}$   |
| 14  | D14             | 47  | NC                          | 80  | NC                          | 113 | A4                        | 146 | NC                       | 179 | HOLDA                     |
| 15  | D13             | 48  | NC                          | 81  | V <sub>SS</sub>             | 114 | A5                        | 147 | V <sub>SS</sub>          | 180 | V <sub>CC</sub>           |
| 16  | V <sub>SS</sub> | 49  | V <sub>SS</sub>             | 82  | V <sub>CC</sub>             | 115 | V <sub>CC</sub>           | 148 | V <sub>CC</sub>          | 181 | HOLD                      |
| 17  | D12             | 50  | V <sub>CC</sub>             | 83  | V <sub>SS</sub>             | 116 | A6                        | 149 | NC                       | 182 | $\overline{\text{READY}}$ |
| 18  | D11             | 51  | NC                          | 84  | NC                          | 117 | A7                        | 150 | V <sub>SS</sub>          | 183 | NC                        |
| 19  | D10             | 52  | NC                          | 85  | CLKMODE                     | 118 | A8                        | 151 | A29                      | 184 | $\overline{\text{BTERM}}$ |
| 20  | V <sub>CC</sub> | 53  | NC                          | 86  | NC                          | 119 | A9                        | 152 | A30                      | 185 | V <sub>SS</sub>           |
| 21  | D9              | 54  | NC                          | 87  | CLKIN                       | 120 | A10                       | 153 | A31                      | 186 | D31                       |
| 22  | D8              | 55  | NC                          | 88  | V <sub>SS</sub>             | 121 | V <sub>SS</sub>           | 154 | V <sub>CC</sub>          | 187 | D30                       |
| 23  | D7              | 56  | V <sub>SS</sub>             | 89  | V <sub>SS</sub>             | 122 | A11                       | 155 | BREQ                     | 188 | D29                       |
| 24  | V <sub>SS</sub> | 57  | $\overline{\text{DREQ0}}$   | 90  | NC                          | 123 | A12                       | 156 | $\overline{\text{LOCK}}$ | 189 | D28                       |
| 25  | D6              | 58  | $\overline{\text{DREQ1}}$   | 91  | $\overline{\text{RESET}}$   | 124 | A13                       | 157 | NC                       | 190 | V <sub>CC</sub>           |
| 26  | D5              | 59  | $\overline{\text{DREQ2}}$   | 92  | V <sub>SS</sub>             | 125 | V <sub>SS</sub>           | 158 | $\overline{\text{SUP}}$  | 191 | D27                       |
| 27  | D4              | 60  | $\overline{\text{DREQ3}}$   | 93  | $\overline{\text{XINT0}}$   | 126 | NC                        | 159 | D/C                      | 192 | D26                       |
| 28  | V <sub>CC</sub> | 61  | V <sub>CC</sub>             | 94  | $\overline{\text{XINT1}}$   | 127 | V <sub>CC</sub>           | 160 | $\overline{\text{DMA}}$  | 193 | NC                        |
| 29  | NC              | 62  | $\overline{\text{DACK0}}$   | 95  | $\overline{\text{XINT2}}$   | 128 | A14                       | 161 | V <sub>SS</sub>          | 194 | D25                       |
| 30  | V <sub>SS</sub> | 63  | $\overline{\text{DACK1}}$   | 96  | V <sub>CC</sub>             | 129 | A15                       | 162 | $\overline{\text{WAIT}}$ | 195 | D24                       |
| 31  | NC              | 64  | $\overline{\text{DACK2}}$   | 97  | NC                          | 130 | A16                       | 163 | DT/R                     | 196 | V <sub>SS</sub>           |
| 32  | V <sub>CC</sub> | 65  | $\overline{\text{DACK3}}$   | 98  | V <sub>SS</sub>             | 131 | V <sub>SS</sub>           | 164 | W/R                      |     |                           |
| 33  | D3              | 66  | $\overline{\text{EOP/TC0}}$ | 99  | V <sub>CC</sub>             | 132 | A17                       | 165 | V <sub>SS</sub>          |     |                           |

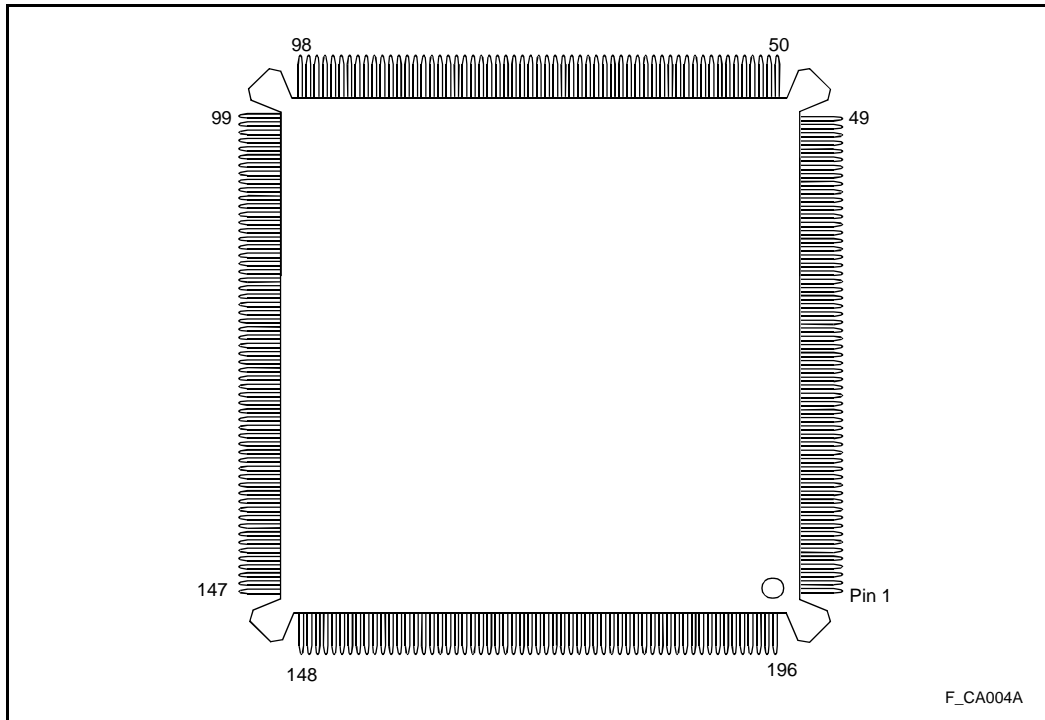


Figure 4. 80960CA PQFP Pinout (View from Top Side)



### 3.4 Package Thermal Specifications

The 80960CA is specified for operation when  $T_C$  (case temperature) is within the range of 0°C–100°C.  $T_C$  may be measured in any environment to determine whether the 80960CA is within specified operating range. Case temperature should be measured at the center of the top surface, opposite the pins. Refer to Figure 5.

$T_A$  (ambient temperature) can be calculated from  $\theta_{CA}$  (thermal resistance from case to ambient) using the following equation:

$$T_A = T_C - P \cdot \theta_{CA}$$

Table 10 shows the maximum  $T_A$  allowable (without exceeding  $T_C$ ) at various airflows and operating frequencies ( $f_{PCLK}$ ).

Note that  $T_A$  is greatly improved by attaching fins or a heatsink to the package.  $P$  (maximum power consumption) is calculated by using the typical  $I_{CC}$  as tabulated in **Section 4.4, DC Specifications** and  $V_{CC}$  of 5V.

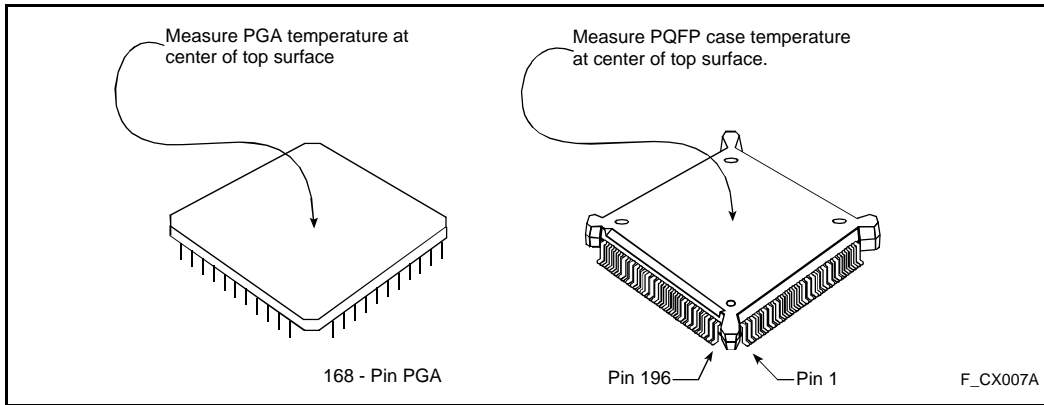


Figure 5. Measuring 80960CA PGA and PQFP Case Temperature

Table 10. Maximum  $T_A$  at Various Airflows in °C (PGA Package Only)

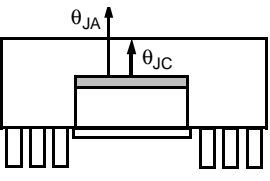
|                            |    | Airflow-ft/min (m/sec) |          |               |               |               |               |
|----------------------------|----|------------------------|----------|---------------|---------------|---------------|---------------|
|                            |    | $f_{PCLK}$<br>(MHz)    | 0<br>(0) | 200<br>(1.01) | 400<br>(2.03) | 600<br>(3.04) | 800<br>(4.06) |
| $T_A$ with<br>Heatsink*    | 33 | 51                     | 66       | 79            | 81            | 85            | 87            |
|                            | 25 | 61                     | 73       | 83            | 85            | 88            | 89            |
|                            | 16 | 74                     | 82       | 89            | 90            | 92            | 93            |
| $T_A$ without<br>Heatsink* | 33 | 36                     | 47       | 59            | 66            | 73            | 75            |
|                            | 25 | 49                     | 58       | 67            | 73            | 78            | 80            |
|                            | 16 | 66                     | 72       | 78            | 82            | 86            | 87            |

**NOTES:**

\*0.285" high unidirectional heatsink (Al alloy 6061, 50 mil fin width, 150 mil center-to-center fin spacing).

Table 11. 80960CA PGA Package Thermal Characteristics

| Thermal Resistance — °C/Watt                                      |                           |               |               |               |               |                |
|---|---------------------------|---------------|---------------|---------------|---------------|----------------|
| Parameter   | Airflow — ft./min (m/sec) |               |               |               |               |                |
|   | 0<br>(0)                  | 200<br>(1.01) | 400<br>(2.03) | 600<br>(3.07) | 800<br>(4.06) | 1000<br>(5.07) |
| $\theta$ Junction-to-Case<br>(Case measured as shown in Figure 5) | 1.5                       | 1.5           | 1.5           | 1.5           | 1.5           | 1.5            |
| $\theta$ Case-to-Ambient<br>(No Heatsink)                         | 17                        | 14            | 11            | 9             | 7.1           | 6.6            |
| $\theta$ Case-to-Ambient<br>(With Heatsink)*                      | 13                        | 9             | 5.5           | 5             | 3.9           | 3.4            |


**NOTES:**

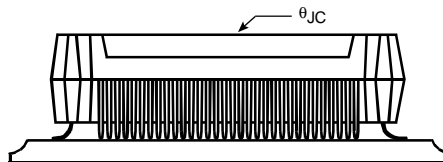
1. This table applies to 80960CA PGA plugged into socket or soldered directly to board.
  2.  $\theta_{JA} = \theta_{JC} + \theta_{CA}$
- \*0.285" high unidirectional heatsink (Al alloy 6061, 50 mil fin width, 150 mil center-to-center fin spacing).

Table 12. 80960CA PQFP Package Thermal Characteristics

| Thermal Resistance — °C/Watt                                   |                           |              |               |               |               |               |               |
|--|---------------------------|--------------|---------------|---------------|---------------|---------------|---------------|
| Parameter  | Airflow — ft./min (m/sec) |              |               |               |               |               |               |
|  | 0<br>(0)                  | 50<br>(0.25) | 100<br>(0.50) | 200<br>(1.01) | 400<br>(2.03) | 600<br>(3.04) | 800<br>(4.06) |
| $\theta$ Junction-to-Case (Case Measured as shown in Figure 5) | 5                         | 5            | 5             | 5             | 5             | 5             | 5             |
| $\theta$ Case-to-Ambient (No Heatsink)                         | 19                        | 18           | 17            | 15            | 12            | 10            | 9             |

**NOTES:**

1. This table applies to 80960CA PQFP soldered directly to board.
2.  $\theta_{JA} = \theta_{JC} + \theta_{CA}$





### 3.5 Stepping Register Information

Upon reset, register g0 contains die stepping information. Figure 6 shows how g0 is configured. The most significant byte contains an ASCII 0. The upper middle byte contains an ASCII C. The lower middle byte contains an ASCII A. The least significant byte contains the stepping number in ASCII. g0 retains this information until it is overwritten by the user program.

|         |     |    |     |                 |
|---------|-----|----|-----|-----------------|
| ASCII   | 00  | 43 | 41  | Stepping Number |
| DECIMAL | 0   | C  | A   | Stepping Number |
|         | MSB |    | LSB |                 |

**Figure 6. Register g0**

Table 13 contains a cross reference of the number in the least significant byte of register g0 to the die stepping number.

**Table 13. Die Stepping Cross Reference**

| g0 Least Significant Byte | Die Stepping |
|---------------------------|--------------|
| 01                        | B            |
| 02                        | C-1          |
| 03                        | C-2,C-3      |
| 04                        | D            |

### 3.6 Suggested Sources for 80960CA Accessories

The following is a list of suggested sources for 80960CA accessories. This is not an endorsement of any kind, nor is it a warranty of the performance of any of the listed products and/or companies.

#### Sockets

- 3M Textool Test and Interconnection Products Department  
P.O. Box 2963  
Austin, TX 78769-2963
- Augat, Inc.  
Interconnection Products Group  
33 Perry Avenue  
P.O. box 779  
Attleboro, MA 02703  
(508) 699-7646
- Concept Manufacturing, Inc.  
(Decoupling Sockets)  
41484 Christy Street  
Fremont, CA 94538  
(415) 651-3804

#### Heatsinks/Fins

- Thermalloy, Inc.  
2021 West Valley View Lane  
Dallas, TX 75234-8993  
(214) 243-4321  
FAX: (214) 241-4656
- E G & G Division  
60 Audubon Road  
Wakefield, MA 01880  
(617) 245-5900







#### 4.0 ELECTRICAL SPECIFICATIONS

##### 4.1 Absolute Maximum Ratings

| Parameter  | Maximum Rating                  |
|--|---------------------------------|
| Storage Temperature .....                        | -65°C to +150°C                 |
| Case Temperature Under Bias .....                | -65°C to +110°C                 |
| Supply Voltage wrt. V <sub>SS</sub> .....        | -0.5V to + 6.5V                 |
| Voltage on Other Pins wrt. V <sub>SS</sub> ..... | -0.5V to V <sub>CC</sub> + 0.5V |

**NOTICE:** This is a production data sheet. The specifications are subject to change without notice.

**\*WARNING:** *Stressing the device beyond the "Absolute Maximum Ratings" may cause permanent damage. These are stress ratings only. Operation beyond the "Operating Conditions" is not recommended and extended exposure beyond the "Operating Conditions" may affect device reliability.*

##### 4.2 Operating Conditions

Table 14. Operating Conditions (80960CA-33, -25, -16)

| Symbol             | Parameter                        |                      | Min          | Max   | Units | Notes |
|--------------------|----------------------------------|----------------------|--------------|-------|-------|-------|
| V <sub>CC</sub>    | Supply Voltage                   | 80960CA-33           | 4.75         | 5.25  | V     |       |
|                    |                                  | 80960CA-25           | 4.50         | 5.50  | V     |       |
|                    |                                  | 80960CA-16           | 4.50         | 5.50  | V     |       |
| f <sub>CLK2x</sub> | Input Clock Frequency (2-x Mode) | 80960CA-33           | 0            | 66.66 | MHz   |       |
|                    |                                  | 80960CA-25           | 0            | 50    | MHz   |       |
|                    |                                  | 80960CA-16           | 0            | 32    | MHz   |       |
| f <sub>CLK1x</sub> | Input Clock Frequency (1-x Mode) | 80960CA-33           | 8            | 33.33 | MHz   | (1)   |
|                    |                                  | 80960CA-25           | 8            | 25    | MHz   |       |
|                    |                                  | 80960CA-16           | 8            | 16    | MHz   |       |
| T <sub>C</sub>     | Case Temperature Under Bias      | PGA Package          | 0            | 100   | °C    |       |
|                    |                                  | 80960CA-33, -25, -16 | 196-Pin PQFP | 0     | 100   | °C    |

**NOTES:**

- When in the 1-x input clock mode, CLKIN is an input to an internal phase-locked loop and must maintain a minimum frequency of 8 MHz for proper processor operation. However, in the 1-x mode, CLKIN may still be stopped when the processor either is in a reset condition or is reset. If CLKIN is stopped, the specified RESET low time must be provided once CLKIN restarts and has stabilized.

##### 4.3 Recommended Connections

Power and ground connections must be made to multiple V<sub>CC</sub> and V<sub>SS</sub> (GND) pins. Every 80960CA-based circuit board should include power (V<sub>CC</sub>) and ground (V<sub>SS</sub>) planes for power distribution. Every V<sub>CC</sub> pin must be connected to the power plane, and every V<sub>SS</sub> pin must be connected to the ground plane. Pins identified as "NC" **must not** be connected in the system.

Liberal decoupling capacitance should be placed near the 80960CA. The processor can cause transient power surges when its numerous output buffers transition, particularly when connected to large capacitive loads.

Low inductance capacitors and interconnects are recommended for best high frequency electrical performance. Inductance can be reduced by shortening the board traces between the processor and decoupling capacitors as much as possible. Capacitors specifically designed for PGA packages will offer the lowest possible inductance.

For reliable operation, always connect unused inputs to an appropriate signal level. In particular, any unused interrupt (XINT, NMI) or DMA (DREQ) input should be connected to V<sub>CC</sub> through a pull-up resistor, as should BTERM if not used. Pull-up resistors should be in the range of 20 KΩ for each pin tied high. If READY or HOLD are not used, the unused input should be connected to ground. **N.C. pins must always remain unconnected.** Refer to the *i960<sup>®</sup> Cx Microprocessor User's Manual* (Order Number 270710) for more information.

#### 4.4 DC Specifications

**Table 15. DC Characteristics**

(80960CA-33, -25, -16 under the conditions described in **Section 4.2, Operating Conditions.**)

| Symbol     | Parameter  | Min            | Max            | Units         | Notes                           |
|------------|--|----------------|----------------|---------------|---------------------------------|
| $V_{IL}$   | Input Low Voltage for all pins except $\overline{RESET}$   | -0.3           | +0.8           | V             |                                 |
| $V_{IH}$   | Input High Voltage for all pins except $\overline{RESET}$  | 2.0            | $V_{CC} + 0.3$ | V             |                                 |
| $V_{OL}$   | Output Low Voltage   |                | 0.45           | V             | $I_{OL} = 5 \text{ mA}$         |
| $V_{OH}$   | Output High Voltage  | 2.4            |                | V             |                                 |
|            | $I_{OH} = -1 \text{ mA}$<br>$I_{OH} = -200 \mu\text{A}$  | $V_{CC} - 0.5$ |                | V             |                                 |
| $V_{ILR}$  | Input Low Voltage for $\overline{RESET}$   | -0.3           | 1.5            | V             |                                 |
| $V_{IHR}$  | Input High Voltage for $\overline{RESET}$  | 3.5            | $V_{CC} + 0.3$ | V             |                                 |
| $I_{LI1}$  | Input Leakage Current for each pin <i>except</i> :<br>$\overline{BTERM}$ , $\overline{ONCE}$ , $\overline{DREQ3:0}$ , $\overline{STEST}$ ,<br>$\overline{EOP3:0/TC3:0}$ , $\overline{NMI}$ , $\overline{XINT7:0}$ , $\overline{BOFF}$ , $\overline{READY}$ ,<br>$\overline{HOLD}$ , $\overline{CLKMODE}$ |                | $\pm 15$       | $\mu\text{A}$ | $0 \leq V_{IN} \leq V_{CC}$ (1) |
| $I_{LI2}$  | Input Leakage Current for:<br>$\overline{BTERM}$ , $\overline{ONCE}$ , $\overline{DREQ3:0}$ , $\overline{STEST}$ ,<br>$\overline{EOP3:0/TC3:0}$ , $\overline{NMI}$ , $\overline{XINT7:0}$ , $\overline{BOFF}$  | 0              | -300           | $\mu\text{A}$ | $V_{IN} = 0.45\text{V}$ (2)     |
| $I_{LI3}$  | Input Leakage Current for:<br>$\overline{READY}$ , $\overline{HOLD}$ , $\overline{CLKMODE}$  | 0              | 500            | $\mu\text{A}$ | $V_{IN} = 2.4\text{V}$ (3,7)    |
| $I_{LO}$   | Output Leakage Current   |                | $\pm 15$       | $\mu\text{A}$ | $0.45 \leq V_{OUT} \leq V_{CC}$ |
| $I_{CC}$   | Supply Current (80960CA-33):   |                | 900            | mA            | (4)                             |
|            | $I_{CC \text{ Max}}$<br>$I_{CC \text{ Typ}}$   |                | 750            | mA            | (5)                             |
| $I_{CC}$   | Supply Current (80960CA-25):   |                | 750            | mA            | (4)                             |
|            | $I_{CC \text{ Max}}$<br>$I_{CC \text{ Typ}}$   |                | 600            | mA            | (5)                             |
| $I_{CC}$   | Supply Current (80960CA-16):   |                | 550            | mA            | (4)                             |
|            | $I_{CC \text{ Max}}$<br>$I_{CC \text{ Typ}}$   |                | 400            | mA            | (5)                             |
| $I_{ONCE}$ | ONCE-mode Supply Current   |                | 100            | mA            |                                 |
| $C_{IN}$   | Input Capacitance for:<br>$\overline{CLKIN}$ , $\overline{RESET}$ , $\overline{ONCE}$ ,<br>$\overline{READY}$ , $\overline{HOLD}$ , $\overline{DREQ3:0}$ , $\overline{BOFF}$ ,<br>$\overline{XINT7:0}$ , $\overline{NMI}$ , $\overline{BTERM}$ , $\overline{CLKMODE}$                                    | 0              | 12             | pF            | $F_C = 1 \text{ MHz}$           |
| $C_{OUT}$  | Output Capacitance of each output pin  |                | 12             | pF            | $F_C = 1 \text{ MHz}$ (6)       |
| $C_{I/O}$  | I/O Pin Capacitance  |                | 12             | pF            | $F_C = 1 \text{ MHz}$           |

**NOTES:**

1. No pullup or pulldown.
2. These pins have internal pullup resistors.
3. These pins have internal pulldown resistors.
4. Measured at worst case frequency,  $V_{CC}$  and temperature, with device operating and outputs loaded to the test conditions described in **Section 4.5.1, AC Test Conditions**.
5.  $I_{CC \text{ Typical}}$  is not tested.
6. Output Capacitance is the capacitive load of a floating output.
7.  $\overline{CLKMODE}$  pin has a pulldown resistor only when  $\overline{ONCE}$  pin is deasserted.

## 4.5 AC Specifications

**Table 16. 80960CA AC Characteristics (33 MHz)**

(80960CA-33 only, under the conditions described in Section 4.2, Operating Conditions and Section 4.5.1, AC Test Conditions.)

| Symbol                             | Parameter                       | Min                               | Max                          | Units    | Notes |        |
|------------------------------------|---------------------------------|-----------------------------------|------------------------------|----------|-------|--------|
| <b>Input Clock (1,9)</b>           |                                 |                                   |                              |          |       |        |
| $T_F$                              | CLKIN Frequency                 | 0                                 | 66.66                        | MHz      |       |        |
| $T_C$                              | CLKIN Period                    | In 1-x Mode (f <sub>CLK1x</sub> ) | 30                           | 125      | ns    | (11)   |
|                                    |                                 | In 2-x Mode (f <sub>CLK2x</sub> ) | 15                           | ∞        | ns    |        |
| $T_{CS}$                           | CLKIN Period Stability          | In 1-x Mode (f <sub>CLK1x</sub> ) |                              | ±0.1%    | Δ     | (12)   |
| $T_{CH}$                           | CLKIN High Time                 | In 1-x Mode (f <sub>CLK1x</sub> ) | 6                            | 62.5     | ns    | (11)   |
|                                    |                                 | In 2-x Mode (f <sub>CLK2x</sub> ) | 6                            | ∞        | ns    |        |
| $T_{CL}$                           | CLKIN Low Time                  | In 1-x Mode (f <sub>CLK1x</sub> ) | 6                            | 62.5     | ns    | (11)   |
|                                    |                                 | In 2-x Mode (f <sub>CLK2x</sub> ) | 6                            | ∞        | ns    |        |
| $T_{CR}$                           | CLKIN Rise Time                 | 0                                 | 6                            | ns       |       |        |
| $T_{CF}$                           | CLKIN Fall Time                 | 0                                 | 6                            | ns       |       |        |
| <b>Output Clocks (1,8)</b>         |                                 |                                   |                              |          |       |        |
| $T_{CP}$                           | CLKIN to PCLK2:1 Delay          | In 1-x Mode (f <sub>CLK1x</sub> ) | -2                           | 2        | ns    | (3,12) |
|                                    |                                 | In 2-x Mode (f <sub>CLK2x</sub> ) | 2                            | 25       | ns    | (3)    |
| T                                  | PCLK2:1 Period                  | In 1-x Mode (f <sub>CLK1x</sub> ) | $T_C$                        |          | ns    | (12)   |
|                                    |                                 | In 2-x Mode (f <sub>CLK2x</sub> ) | $2T_C$                       |          | ns    | (3)    |
| $T_{PH}$                           | PCLK2:1 High Time               |                                   | (T/2) - 2                    | T/2      | ns    | (12)   |
| $T_{PL}$                           | PCLK2:1 Low Time                |                                   | (T/2) - 2                    | T/2      | ns    | (12)   |
| $T_{PR}$                           | PCLK2:1 Rise Time               | 1                                 | 4                            | ns       | (3)   |        |
| $T_{PF}$                           | PCLK2:1 Fall Time               | 1                                 | 4                            | ns       | (3)   |        |
| <b>Synchronous Outputs (8)</b>     |                                 |                                   |                              |          |       |        |
| $T_{OH}$<br>$T_{OV}$               | Output Valid Delay, Output Hold | A31:2                             | 3                            | 14       | ns    | (6,10) |
|                                    |                                 | BE3:0                             | 3                            | 16       | ns    |        |
|                                    |                                 | ADS                               | 6                            | 18       | ns    |        |
|                                    |                                 | W/R                               | 3                            | 18       | ns    |        |
|                                    |                                 | D/C, SUP, DMA                     | 4                            | 16       | ns    |        |
|                                    |                                 | BLAST, WAIT                       | 5                            | 16       | ns    |        |
|                                    |                                 | DEN                               | 3                            | 16       | ns    |        |
|                                    |                                 | HOLDA, BREQ                       | 4                            | 16       | ns    |        |
|                                    |                                 | LOCK                              | 4                            | 16       | ns    |        |
|                                    |                                 | DACK3:0                           | 4                            | 18       | ns    |        |
|                                    |                                 | D31:0                             | 3                            | 16       | ns    |        |
|                                    |                                 | DT/R                              | T/2 + 3                      | T/2 + 14 | ns    |        |
|                                    |                                 | FAIL                              | 2                            | 14       | ns    |        |
|                                    |                                 | EOP3:0/TC3:0                      | 3                            | 18       | ns    |        |
|                                    |                                 | $T_{OF}$                          | Output Float for all outputs | 3        | 22    |        |
| <b>Synchronous Inputs (1,9,10)</b> |                                 |                                   |                              |          |       |        |
| $T_{IS}$                           | Input Setup                     | D31:0                             | 3                            |          | ns    |        |
|                                    |                                 | BOFF                              | 17                           |          | ns    |        |
|                                    |                                 | BTERM/READY                       | 7                            |          | ns    |        |
|                                    |                                 | HOLD                              | 7                            |          | ns    |        |
|                                    |                                 |                                   |                              |          |       |        |
| $T_{IH}$                           | Input Hold                      | D31:0                             | 5                            |          | ns    |        |
|                                    |                                 | BOFF                              | 5                            |          | ns    |        |
|                                    |                                 | BTERM/READY                       | 2                            |          | ns    |        |
|                                    |                                 | HOLD                              | 3                            |          | ns    |        |
|                                    |                                 |                                   |                              |          |       |        |

**Table 16. 80960CA AC Characteristics (33 MHz) (Continued)**

(80960CA-33 only, under the conditions described in Section 4.2, Operating Conditions and Section 4.5.1, AC Test Conditions.)

| Symbol                                   | Parameter   | Min           | Max           | Units | Notes |
|--|---|---------------|---------------|-------|-------|
| <b>Relative Output Timings (1,2,3,8)</b> |   |               |               |       |       |
| $T_{AVSH1}$                              | A31:2 Valid to $\overline{ADS}$ Rising  | $T - 4$       | $T + 4$       | ns    |       |
| $T_{AVSH2}$                              | $\overline{BE3:0}$ , $\overline{W/R}$ , $\overline{SUP}$ , $\overline{D/C}$ ,<br>DMA, $\overline{DACK3:0}$ Valid to $\overline{ADS}$ Rising   | $T - 6$       | $T + 6$       | ns    |       |
| $T_{AVEL1}$                              | A31:2 Valid to $\overline{DEN}$ Falling   | $T - 4$       | $T + 4$       | ns    |       |
| $T_{AVEL2}$                              | $\overline{BE3:0}$ , $\overline{W/R}$ , $\overline{SUP}$ , $\overline{INST}$ ,<br>DMA, $\overline{DACK3:0}$ Valid to $\overline{DEN}$ Falling | $T - 6$       | $T + 6$       | ns    |       |
| $T_{NLQV}$                               | $\overline{WAIT}$ Falling to Output Data Valid  | $\pm 4$       |               | ns    |       |
| $T_{DVNH}$                               | Output Data Valid to $\overline{WAIT}$ Rising   | $N*T - 4$     | $N*T + 4$     | ns    | (4)   |
| $T_{NLNH}$                               | $\overline{WAIT}$ Falling to $\overline{WAIT}$ Rising   | $N*T \pm 4$   |               | ns    | (4)   |
| $T_{NHQX}$                               | Output Data Hold after $\overline{WAIT}$ Rising   | $(N+1)*T - 8$ | $(N+1)*T + 6$ | ns    | (5)   |
| $T_{EHTV}$                               | DT/R Hold after $\overline{DEN}$ High   | $T/2 - 7$     | $\infty$      | ns    | (6)   |
| $T_{TVEL}$                               | DT/R Valid to $\overline{DEN}$ Falling  | $T/2 - 4$     |               | ns    |       |
| <b>Relative Input Timings (1,2,3)</b>    |   |               |               |       |       |
| $T_{IS5}$                                | $\overline{RESET}$ Input Setup (2-x Clock Mode)   | 6             |               | ns    | (13)  |
| $T_{IH5}$                                | $\overline{RESET}$ Input Hold (2-x Clock Mode)  | 5             |               | ns    | (13)  |
| $T_{IS6}$                                | $\overline{DREQ3:0}$ Input Setup  | 12            |               | ns    | (7)   |
| $T_{IH6}$                                | $\overline{DREQ3:0}$ Input Hold   | 7             |               | ns    | (7)   |
| $T_{IS7}$                                | XINT7:0, NMI Input Setup  | 7             |               | ns    | (15)  |
| $T_{IH7}$                                | XINT7:0, NMI Input Hold   | 3             |               | ns    | (15)  |
| $T_{IS8}$                                | $\overline{RESET}$ Input Setup (1-x Clock Mode)   | 3             |               | ns    | (14)  |
| $T_{IH8}$                                | $\overline{RESET}$ Input Hold (1-x Clock Mode)  | $T/4 + 1$     |               | ns    | (14)  |

**NOTES:**

- See Section 4.5.2, AC Timing Waveforms for waveforms and definitions.
- See Figure 16 for capacitive derating information for output delays and hold times.
- See Figure 17 for capacitive derating information for rise and fall times.
- Where N is the number of  $N_{RAD}$ ,  $N_{RDD}$ ,  $N_{WAD}$  or  $N_{WDD}$  wait states that are programmed in the Bus Controller Region Table.  $\overline{WAIT}$  never goes active when there are no wait states in an access.
- N = Number of wait states inserted with  $\overline{READY}$ .
- Output Data and/or DT/R may be driven indefinitely following a cycle if there is no subsequent bus activity.
- Since asynchronous inputs are synchronized internally by the 80960CA, they have no required setup or hold times to be recognized and for proper operation. However, to guarantee recognition of the input at a particular edge of PCLK2:1, the setup times shown must be met. Asynchronous inputs must be active for at least two consecutive PCLK2:1 rising edges to be seen by the processor.
- These specifications are guaranteed by the processor.
- These specifications must be met by the system for proper operation of the processor.
- This timing is dependent upon the loading of PCLK2:1. Use the derating curves of Section 4.5.3, Derating Curves to adjust the timing for PCLK2:1 loading.
- In the 1-x input clock mode, the maximum input clock period is limited to 125 ns while the processor is operating. When the processor is in reset, the input clock may stop even in 1-x mode.
- When in the 1-x input clock mode, these specifications assume a stable input clock with a period variation of less than  $\pm 0.1\%$  between adjacent cycles.
- In 2-x clock mode,  $\overline{RESET}$  is an asynchronous input which has no required setup and hold time for proper operation. However, to guarantee the device exits reset synchronized to a particular clock edge, the  $\overline{RESET}$  pin must meet setup and hold times to the falling edge of the CLKIN. (See Figure 22.)
- In 1-x clock mode,  $\overline{RESET}$  is an asynchronous input which has no required setup and hold time for proper operation. However, to guarantee the device exits reset synchronized to a particular clock edge, the  $\overline{RESET}$  pin must meet setup and hold times to the rising edge of the CLKIN. (See Figure 23.)
- The interrupt pins are synchronized internally by the 80960CA. They have no required setup or hold times for proper operation. These pins are sampled by the interrupt controller every other clock and must be active for at least three consecutive PCLK2:1 rising edges when asserting them asynchronously. To guarantee recognition at a particular clock edge, the setup and hold times shown must be met for two consecutive PCLK2:1 rising edges.

**Table 17. 80960CA AC Characteristics (25 MHz)**

(80960CA-25 only, under conditions described in Section 4.2, Operating Conditions and Section 4.5.1, AC Test Conditions.)

| Symbol                             | Parameter                       | Min                               | Max     | Units    | Notes |        |
|------------------------------------|---------------------------------|-----------------------------------|---------|----------|-------|--------|
| <b>Input Clock (1,9)</b>           |                                 |                                   |         |          |       |        |
| $T_F$                              | CLKIN Frequency                 | 0                                 | 50      | MHz      |       |        |
| $T_C$                              | CLKIN Period                    | In 1-x Mode (f <sub>CLK1x</sub> ) | 40      | 125      | ns    | (11)   |
|                                    |                                 | In 2-x Mode (f <sub>CLK2x</sub> ) | 20      | ∞        | ns    |        |
| $T_{CS}$                           | CLKIN Period Stability          | In 1-x Mode (f <sub>CLK1x</sub> ) |         | ±0.1%    | Δ     | (12)   |
| $T_{CH}$                           | CLKIN High Time                 | In 1-x Mode (f <sub>CLK1x</sub> ) | 8       | 62.5     | ns    | (11)   |
|                                    |                                 | In 2-x Mode (f <sub>CLK2x</sub> ) | 8       | ∞        | ns    |        |
| $T_{CL}$                           | CLKIN Low Time                  | In 1-x Mode (f <sub>CLK1x</sub> ) | 8       | 62.5     | ns    | (11)   |
|                                    |                                 | In 2-x Mode (f <sub>CLK2x</sub> ) | 8       | ∞        | ns    |        |
| $T_{CR}$                           | CLKIN Rise Time                 | 0                                 | 6       | ns       |       |        |
| $T_{CF}$                           | CLKIN Fall Time                 | 0                                 | 6       | ns       |       |        |
| <b>Output Clocks (1,8)</b>         |                                 |                                   |         |          |       |        |
| $T_{CP}$                           | CLKIN to PCLK2:1 Delay          | In 1-x Mode (f <sub>CLK1x</sub> ) | -2      | 2        | ns    | (3,12) |
|                                    |                                 | In 2-x Mode (f <sub>CLK2x</sub> ) | 2       | 25       | ns    | (3)    |
| T                                  | PCLK2:1 Period                  | In 1-x Mode (f <sub>CLK1x</sub> ) | $T_C$   |          | ns    | (12)   |
|                                    |                                 | In 2-x Mode (f <sub>CLK2x</sub> ) | $2T_C$  |          | ns    | (3)    |
| $T_{PH}$                           | PCLK2:1 High Time               | (T/2) - 3                         | T/2     | ns       | (12)  |        |
| $T_{PL}$                           | PCLK2:1 Low Time                | (T/2) - 3                         | T/2     | ns       | (12)  |        |
| $T_{PR}$                           | PCLK2:1 Rise Time               | 1                                 | 4       | ns       | (3)   |        |
| $T_{PF}$                           | PCLK2:1 Fall Time               | 1                                 | 4       | ns       | (3)   |        |
| <b>Synchronous Outputs (8)</b>     |                                 |                                   |         |          |       |        |
| $T_{OH}$<br>$T_{OV}$               | Output Valid Delay, Output Hold |                                   |         |          |       | (6,10) |
|                                    | $T_{OH1}, T_{OV1}$              | A31:2                             | 3       | 16       | ns    |        |
|                                    | $T_{OH2}, T_{OV2}$              | BE3:0                             | 3       | 18       | ns    |        |
|                                    | $T_{OH3}, T_{OV3}$              | ADS                               | 6       | 20       | ns    |        |
|                                    | $T_{OH4}, T_{OV4}$              | W/R                               | 3       | 20       | ns    |        |
|                                    | $T_{OH5}, T_{OV5}$              | D/C, SUP, DMA                     | 4       | 18       | ns    |        |
|                                    | $T_{OH6}, T_{OV6}$              | BLAST, WAIT                       | 5       | 18       | ns    |        |
|                                    | $T_{OH7}, T_{OV7}$              | DEN                               | 3       | 18       | ns    |        |
|                                    | $T_{OH8}, T_{OV8}$              | HOLDA, BREQ                       | 4       | 18       | ns    |        |
|                                    | $T_{OH9}, T_{OV9}$              | LOCK                              | 4       | 18       | ns    |        |
|                                    | $T_{OH10}, T_{OV10}$            | DACK3:0                           | 4       | 20       | ns    |        |
|                                    | $T_{OH11}, T_{OV11}$            | D31:0                             | 3       | 18       | ns    |        |
|                                    | $T_{OH12}, T_{OV12}$            | DT/R                              | T/2 + 3 | T/2 + 16 | ns    |        |
|                                    | $T_{OH13}, T_{OV13}$            | FAIL                              | 2       | 16       | ns    |        |
|                                    | $T_{OH14}, T_{OV14}$            | EOP3:0/TC3:0                      | 3       | 20       | ns    |        |
| $T_{OF}$                           | Output Float for all outputs    | 3                                 | 22      | ns       | (6)   |        |
| <b>Synchronous Inputs (1,9,10)</b> |                                 |                                   |         |          |       |        |
| $T_{IS}$                           | Input Setup                     |                                   |         |          |       |        |
|                                    | $T_{IS1}$                       | D31:0                             | 5       |          | ns    |        |
|                                    | $T_{IS2}$                       | BOFF                              | 19      |          | ns    |        |
|                                    | $T_{IS3}$                       | BTERM/READY                       | 9       |          | ns    |        |
|                                    | $T_{IS4}$                       | HOLD                              | 9       |          | ns    |        |
| $T_{IH}$                           | Input Hold                      |                                   |         |          |       |        |
|                                    | $T_{IH1}$                       | D31:0                             | 5       |          | ns    |        |
|                                    | $T_{IH2}$                       | BOFF                              | 7       |          | ns    |        |
|                                    | $T_{IH3}$                       | BTERM/READY                       | 2       |          | ns    |        |
|                                    | $T_{IH4}$                       | HOLD                              | 5       |          | ns    |        |

**Table 17. 80960CA AC Characteristics (25 MHz) (Continued)**(80960CA-25 only, under conditions described in **Section 4.2, Operating Conditions** and **Section 4.5.1, AC Test Conditions**.)

| Symbol                                   | Parameter   | Min             | Max             | Units | Notes |
|--|---|-----------------|-----------------|-------|-------|
| <b>Relative Output Timings (1,2,3,8)</b> |   |                 |                 |       |       |
| $T_{AVSH1}$                              | A31:2 Valid to $\overline{ADS}$ Rising  | $T - 4$         | $T + 4$         | ns    |       |
| $T_{AVSH2}$                              | $\overline{BE3:0}$ , $\overline{W/R}$ , $\overline{SUP}$ , $\overline{D/C}$ ,<br>DMA, $\overline{DACK3:0}$ Valid to $\overline{ADS}$ Rising   | $T - 6$         | $T + 6$         | ns    |       |
| $T_{AVEL1}$                              | A31:2 Valid to $\overline{DEN}$ Falling   | $T - 4$         | $T + 4$         | ns    |       |
| $T_{AVEL2}$                              | $\overline{BE3:0}$ , $\overline{W/R}$ , $\overline{SUP}$ , $\overline{INST}$ ,<br>DMA, $\overline{DACK3:0}$ Valid to $\overline{DEN}$ Falling | $T - 6$         | $T + 6$         | ns    |       |
| $T_{NLQV}$                               | $\overline{WAIT}$ Falling to Output Data Valid  | $\pm 4$         |                 | ns    |       |
| $T_{DVNH}$                               | Output Data Valid to $\overline{WAIT}$ Rising   | $N * T - 4$     | $N * T + 4$     | ns    | (4)   |
| $T_{NLNH}$                               | $\overline{WAIT}$ Falling to $\overline{WAIT}$ Rising   | $N * T \pm 4$   |                 | ns    | (4)   |
| $T_{NHQX}$                               | Output Data Hold after $\overline{WAIT}$ Rising   | $(N+1) * T - 8$ | $(N+1) * T + 6$ | ns    | (5)   |
| $T_{EHTV}$                               | DT/R Hold after $\overline{DEN}$ High   | $T/2 - 7$       | $\infty$        | ns    | (6)   |
| $T_{TVEL}$                               | DT/R Valid to $\overline{DEN}$ Falling  | $T/2 - 4$       |                 | ns    |       |
| <b>Relative Input Timings (1,2,3)</b>    |   |                 |                 |       |       |
| $T_{IS5}$                                | $\overline{RESET}$ Input Setup (2-x Clock Mode)   | 8               |                 | ns    | (13)  |
| $T_{IH5}$                                | $\overline{RESET}$ Input Hold (2-x Clock Mode)  | 7               |                 | ns    | (13)  |
| $T_{IS6}$                                | $\overline{DREQ3:0}$ Input Setup  | 14              |                 | ns    | (7)   |
| $T_{IH6}$                                | $\overline{DREQ3:0}$ Input Hold   | 9               |                 | ns    | (7)   |
| $T_{IS7}$                                | XINT7:0, NMI Input Setup  | 9               |                 | ns    | (15)  |
| $T_{IH7}$                                | XINT7:0, NMI Input Hold   | 5               |                 | ns    | (15)  |
| $T_{IS8}$                                | $\overline{RESET}$ Input Setup (1-x Clock Mode)   | 3               |                 | ns    | (14)  |
| $T_{IH8}$                                | $\overline{RESET}$ Input Hold (1-x Clock Mode)  | $T/4 + 1$       |                 | ns    | (14)  |

**NOTES:**

- See **Section 4.5.2, AC Timing Waveforms** for waveforms and definitions.
- See Figure 16 for capacitive derating information for output delays and hold times.
- See Figure 17 for capacitive derating information for rise and fall times.
- Where N is the number of  $N_{RAD}$ ,  $N_{RDD}$ ,  $N_{WAD}$  or  $N_{WDD}$  wait states that are programmed in the Bus Controller Region Table.  $\overline{WAIT}$  never goes active when there are no wait states in an access.
- N = Number of wait states inserted with  $\overline{READY}$ .
- Output Data and/or DT/R may be driven indefinitely following a cycle if there is no subsequent bus activity.
- Since asynchronous inputs are synchronized internally by the 80960CA, they have no required setup or hold times to be recognized and for proper operation. However, to guarantee recognition of the input at a particular edge of PCLK2:1, the setup times shown must be met. Asynchronous inputs must be active for at least two consecutive PCLK2:1 rising edges to be seen by the processor.
- These specifications are guaranteed by the processor.
- These specifications must be met by the system for proper operation of the processor.
- This timing is dependent upon the loading of PCLK2:1. Use the derating curves of **Section 4.5.3, Derating Curves** to adjust the timing for PCLK2:1 loading.
- In the 1-x input clock mode, the maximum input clock period is limited to 125 ns while the processor is operating. When the processor is in reset, the input clock may stop even in 1-x mode.
- When in the 1-x input clock mode, these specifications assume a stable input clock with a period variation of less than  $\pm 0.1\%$  between adjacent cycles.
- In 2-x clock mode,  $\overline{RESET}$  is an asynchronous input which has no required setup and hold time for proper operation. However, to guarantee the device exits reset synchronized to a particular clock edge, the  $\overline{RESET}$  pin must meet setup and hold times to the falling edge of the CLKIN. (See Figure 22.)
- In 1-x clock mode,  $\overline{RESET}$  is an asynchronous input which has no required setup and hold time for proper operation. However, to guarantee the device exits reset synchronized to a particular clock edge, the  $\overline{RESET}$  pin must meet setup and hold times to the rising edge of the CLKIN. (See Figure 23.)
- The interrupt pins are synchronized internally by the 80960CA. They have no required setup or hold times for proper operation. These pins are sampled by the interrupt controller every other clock and must be active for at least three consecutive PCLK2:1 rising edges when asserting them asynchronously. To guarantee recognition at a particular clock edge, the setup and hold times shown must be met for two consecutive PCLK2:1 rising edges.

**Table 18. 80960CA AC Characteristics (16 MHz)**

(80960CA-16 only, under conditions described in Section 4.2, Operating Conditions and Section 4.5.1, AC Test Conditions.)

| Symbol                             | Parameter                       | Min                   | Max         | Units      | Notes |        |
|------------------------------------|---------------------------------|-----------------------|-------------|------------|-------|--------|
| <b>Input Clock (1,9)</b>           |                                 |                       |             |            |       |        |
| $T_F$                              | CLKIN Frequency                 | 0                     | 32          | MHz        |       |        |
| $T_C$                              | CLKIN Period                    | In 1-x Mode (f CLK1x) | 62.5        | 125        | ns    | (11)   |
|                                    |                                 | In 2-x Mode (f CLK2x) | 31.25       | $\infty$   | ns    |        |
| $T_{CS}$                           | CLKIN Period Stability          |                       | $\pm 0.1\%$ | $\Delta$   | (12)  |        |
| $T_{CH}$                           | CLKIN High Time                 | In 1-x Mode (f CLK1x) | 10          | 62.5       | ns    | (11)   |
|                                    |                                 | In 2-x Mode (f CLK2x) | 10          | $\infty$   | ns    |        |
| $T_{CL}$                           | CLKIN Low Time                  | In 1-x Mode (f CLK1x) | 10          | 62.5       | ns    | (11)   |
|                                    |                                 | In 2-x Mode (f CLK2x) | 10          | $\infty$   | ns    |        |
| $T_{CR}$                           | CLKIN Rise Time                 | 0                     | 6           | ns         |       |        |
| $T_{CF}$                           | CLKIN Fall Time                 | 0                     | 6           | ns         |       |        |
| <b>Output Clocks (1,8)</b>         |                                 |                       |             |            |       |        |
| $T_{CP}$                           | CLKIN to PCLK2:1 Delay          | In 1-x Mode (f CLK1x) | - 2         | 2          | ns    | (3,12) |
|                                    |                                 | In 2-x Mode (f CLK2x) | 2           | 25         | ns    | (3)    |
| T                                  | PCLK2:1 Period                  | In 1-x Mode (f CLK1x) | $T_C$       |            | ns    | (12)   |
|                                    |                                 | In 2-x Mode (f CLK2x) | $2T_C$      |            | ns    | (3)    |
| $T_{PH}$                           | PCLK2:1 High Time               | $(T/2) - 4$           | $T/2$       | ns         | (12)  |        |
| $T_{PL}$                           | PCLK2:1 Low Time                | $(T/2) - 4$           | $T/2$       | ns         | (12)  |        |
| $T_{PR}$                           | PCLK2:1 Rise Time               | 1                     | 4           | ns         | (3)   |        |
| $T_{PF}$                           | PCLK2:1 Fall Time               | 1                     | 4           | ns         | (3)   |        |
| <b>Synchronous Outputs (8)</b>     |                                 |                       |             |            |       |        |
| $T_{OH}$<br>$T_{OV}$               | Output Valid Delay, Output Hold |                       |             |            |       | (6,10) |
|                                    | $T_{OH1}, T_{OV1}$              | A31:2                 | 3           | 18         | ns    |        |
|                                    | $T_{OH2}, T_{OV2}$              | BE3:0                 | 3           | 20         | ns    |        |
|                                    | $T_{OH3}, T_{OV3}$              | ADS                   | 6           | 22         | ns    |        |
|                                    | $T_{OH4}, T_{OV4}$              | W/R                   | 3           | 22         | ns    |        |
|                                    | $T_{OH5}, T_{OV5}$              | D/C, SUP, DMA         | 4           | 20         | ns    |        |
|                                    | $T_{OH6}, T_{OV6}$              | BLAST, WAIT           | 5           | 20         | ns    |        |
|                                    | $T_{OH7}, T_{OV7}$              | DEN                   | 3           | 20         | ns    |        |
|                                    | $T_{OH8}, T_{OV8}$              | HOLDA, BREQ           | 4           | 20         | ns    |        |
|                                    | $T_{OH9}, T_{OV9}$              | LOCK                  | 4           | 20         | ns    |        |
|                                    | $T_{OH10}, T_{OV10}$            | DACK3:0               | 4           | 22         | ns    |        |
|                                    | $T_{OH11}, T_{OV11}$            | D31:0                 | 3           | 20         | ns    |        |
|                                    | $T_{OH12}, T_{OV12}$            | DT/R                  | $T/2 + 3$   | $T/2 + 18$ | ns    |        |
|                                    | $T_{OH13}, T_{OV13}$            | FAIL                  | 2           | 18         | ns    |        |
|                                    | $T_{OH14}, T_{OV14}$            | EOP3:0/TC3:0          | 3           | 22         | ns    |        |
| $T_{OF}$                           | Output Float for all outputs    | 3                     | 22          | ns         | (6)   |        |
| <b>Synchronous Inputs (1,9,10)</b> |                                 |                       |             |            |       |        |
| $T_{IS}$                           | Input Setup                     |                       |             |            |       |        |
|                                    | $T_{IS1}$                       | D31:0                 | 5           |            | ns    |        |
|                                    | $T_{IS2}$                       | BOFF                  | 21          |            | ns    |        |
|                                    | $T_{IS3}$                       | BTERM/READY           | 9           |            | ns    |        |
|                                    | $T_{IS4}$                       | HOLD                  | 9           |            | ns    |        |
| $T_{IH}$                           | Input Hold                      |                       |             |            |       |        |
|                                    | $T_{IH1}$                       | D31:0                 | 5           |            | ns    |        |
|                                    | $T_{IH2}$                       | BOFF                  | 7           |            | ns    |        |
|                                    | $T_{IH3}$                       | BTERM/READY           | 2           |            | ns    |        |
|                                    | $T_{IH4}$                       | HOLD                  | 5           |            | ns    |        |

**Table 18. 80960CA AC Characteristics (16 MHz) (Continued)**(80960CA-16 only, under conditions described in **Section 4.2, Operating Conditions** and **Section 4.5.1, AC Test Conditions**.)

| Symbol                                   | Parameter   | Min             | Max             | Units | Notes |
|--|---|-----------------|-----------------|-------|-------|
| <b>Relative Output Timings (1,2,3,8)</b> |   |                 |                 |       |       |
| $T_{AVSH1}$                              | A31:2 Valid to $\overline{ADS}$ Rising  | $T - 4$         | $T + 4$         | ns    |       |
| $T_{AVSH2}$                              | $\overline{BE3:0}$ , $\overline{W/R}$ , $\overline{SUP}$ , $\overline{D/C}$ ,<br>DMA, $\overline{DACK3:0}$ Valid to $\overline{ADS}$ Rising   | $T - 6$         | $T + 6$         | ns    |       |
| $T_{AVEL1}$                              | A31:2 Valid to $\overline{DEN}$ Falling   | $T - 6$         | $T + 6$         | ns    |       |
| $T_{AVEL2}$                              | $\overline{BE3:0}$ , $\overline{W/R}$ , $\overline{SUP}$ , $\overline{INST}$ ,<br>DMA, $\overline{DACK3:0}$ Valid to $\overline{DEN}$ Falling | $T - 6$         | $T + 6$         | ns    |       |
| $T_{NLQV}$                               | $\overline{WAIT}$ Falling to Output Data Valid  | $\pm 4$         |                 | ns    |       |
| $T_{DVNH}$                               | Output Data Valid to $\overline{WAIT}$ Rising   | $N * T - 4$     | $N * T + 4$     | ns    | (4)   |
| $T_{NLNH}$                               | $\overline{WAIT}$ Falling to $\overline{WAIT}$ Rising   | $N * T \pm 4$   |                 | ns    | (4)   |
| $T_{NHQX}$                               | Output Data Hold after $\overline{WAIT}$ Rising   | $(N+1) * T - 8$ | $(N+1) * T + 6$ | ns    | (5)   |
| $T_{EHTV}$                               | $\overline{DT/R}$ Hold after $\overline{DEN}$ High  | $T/2 - 7$       | $\infty$        | ns    | (6)   |
| $T_{TVEL}$                               | $\overline{DT/R}$ Valid to $\overline{DEN}$ Falling   | $T/2 - 4$       |                 | ns    |       |
| <b>Relative Input Timings (1,2,3)</b>    |   |                 |                 |       |       |
| $T_{IS5}$                                | $\overline{RESET}$ Input Setup (2-x Clock Mode)   | 10              |                 | ns    | (13)  |
| $T_{IH5}$                                | $\overline{RESET}$ Input Hold (2-x Clock Mode)  | 9               |                 | ns    | (13)  |
| $T_{IS6}$                                | $\overline{DREQ3:0}$ Input Setup  | 16              |                 | ns    | (7)   |
| $T_{IH6}$                                | $\overline{DREQ3:0}$ Input Hold   | 11              |                 | ns    | (7)   |
| $T_{IS7}$                                | $\overline{XINT7:0}$ , $\overline{NMI}$ Input Setup   | 9               |                 | ns    | (15)  |
| $T_{IH7}$                                | $\overline{XINT7:0}$ , $\overline{NMI}$ Input Hold  | 5               |                 | ns    | (15)  |
| $T_{IS8}$                                | $\overline{RESET}$ Input Setup (1-x Clock Mode)   | 3               |                 | ns    | (14)  |
| $T_{IH8}$                                | $\overline{RESET}$ Input Hold (1-x Clock Mode)  | $T/4 + 1$       |                 | ns    | (14)  |

**NOTES:**

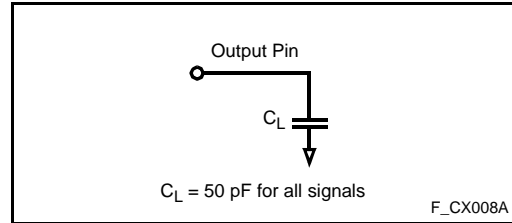
- See **Section 4.5.2, AC Timing Waveforms** for waveforms and definitions.
- See Figure 16 for capacitive derating information for output delays and hold times.
- See Figure 17 for capacitive derating information for rise and fall times.
- Where N is the number of  $N_{RAD}$ ,  $N_{RDD}$ ,  $N_{WAD}$  or  $N_{WDD}$  wait states that are programmed in the Bus Controller Region Table.  $\overline{WAIT}$  never goes active when there are no wait states in an access.
- N = Number of wait states inserted with  $\overline{READY}$ .
- Output Data and/or  $\overline{DT/R}$  may be driven indefinitely following a cycle if there is no subsequent bus activity.
- Since asynchronous inputs are synchronized internally by the 80960CA, they have no required setup or hold times to be recognized and for proper operation. However, to guarantee recognition of the input at a particular edge of PCLK2:1, the setup times shown must be met. Asynchronous inputs must be active for at least two consecutive PCLK2:1 rising edges to be seen by the processor.
- These specifications are guaranteed by the processor.
- These specifications must be met by the system for proper operation of the processor.
- This timing is dependent upon the loading of PCLK2:1. Use the derating curves of **Section 4.5.3, Derating Curves** to adjust the timing for PCLK2:1 loading.
- In the 1-x input clock mode, the maximum input clock period is limited to 125 ns while the processor is operating. When the processor is in reset, the input clock may stop even in 1-x mode.
- When in the 1-x input clock mode, these specifications assume a stable input clock with a period variation of less than  $\pm 0.1\%$  between adjacent cycles.
- In 2-x clock mode,  $\overline{RESET}$  is an asynchronous input which has no required setup and hold time for proper operation. However, to guarantee the device exits reset synchronized to a particular clock edge, the  $\overline{RESET}$  pin must meet setup and hold times to the falling edge of the CLKIN. (See Figure 22.)
- In 1-x clock mode,  $\overline{RESET}$  is an asynchronous input which has no required setup and hold time for proper operation. However, to guarantee the device exits reset synchronized to a particular clock edge, the  $\overline{RESET}$  pin must meet setup and hold times to the rising edge of the CLKIN. (See Figure 23.)
- The interrupt pins are synchronized internally by the 80960CA. They have no required setup or hold times for proper operation. These pins are sampled by the interrupt controller every other clock and must be active for at least three consecutive PCLK2:1 rising edges when asserting them asynchronously. To guarantee recognition at a particular clock edge, the setup and hold times shown must be met for two consecutive PCLK2:1 rising edges.



**4.5.1 AC Test Conditions**

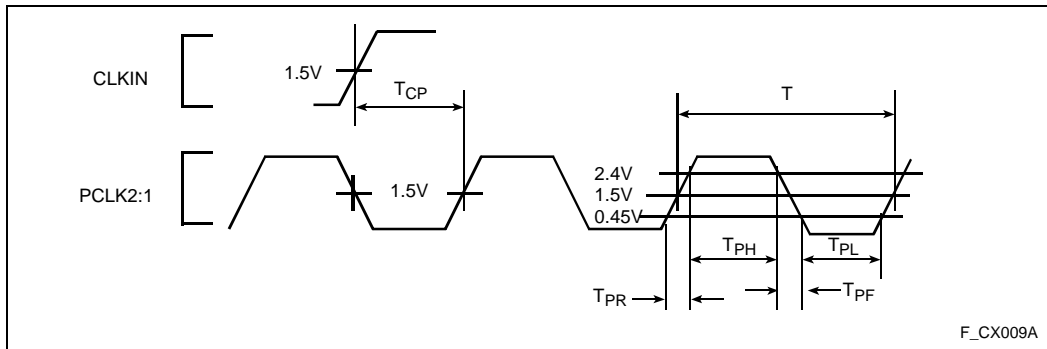
The AC Specifications in Section 4.5 are tested with the 50 pF load shown in Figure 7. Figure 16 shows how timings vary with load capacitance.

Specifications are measured at the 1.5V crossing point, unless otherwise indicated. Input waveforms are assumed to have a rise and fall time of  $\leq 2$  ns from 0.8V to 2.0V. See **Section 4.5.2, AC Timing Waveforms** for AC spec definitions, test points and illustrations.

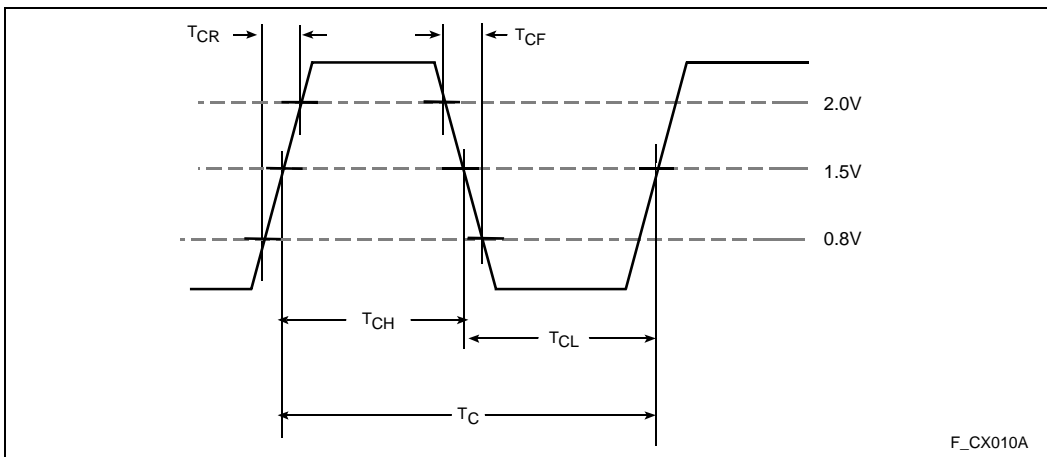


**Figure 7. AC Test Load**

**4.5.2 AC Timing Waveforms**



**Figure 8. Input and Output Clocks Waveform**



**Figure 9. CLKIN Waveform**

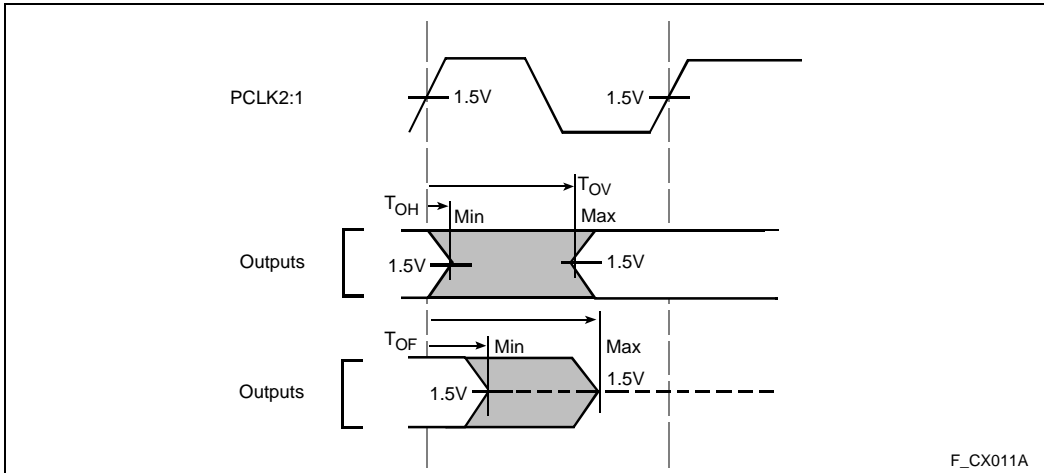


Figure 10. Output Delay and Float Waveform

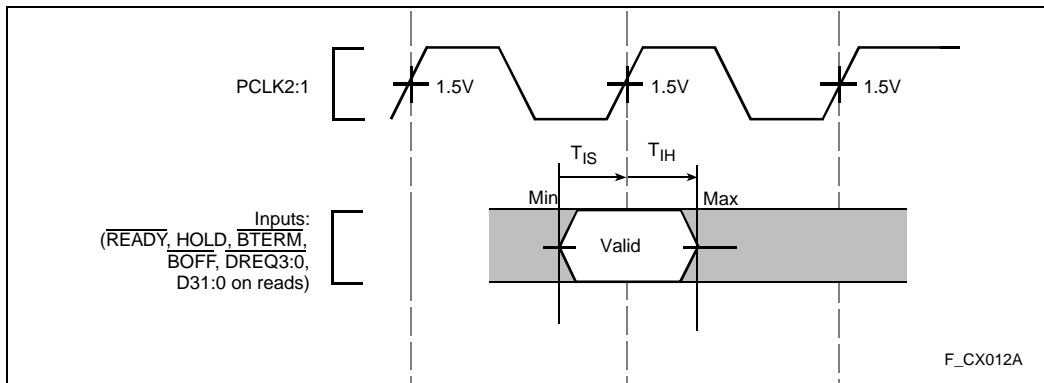


Figure 11. Input Setup and Hold Waveform

- $T_{OV}$   $T_{OH}$  - OUTPUT DELAY - The maximum output delay is referred to as the Output Valid Delay ( $T_{OV}$ ). The minimum output delay is referred to as the Output Hold ( $T_{OH}$ ).
- $T_{OF}$  - OUTPUT FLOAT DELAY - The output float condition occurs when the maximum output current becomes less than  $I_{LO}$  in magnitude.
- $T_{IS}$   $T_{IH}$  - INPUT SETUP AND HOLD - The input setup and hold requirements specify the sampling window during which synchronous inputs must be stable for correct processor operation.



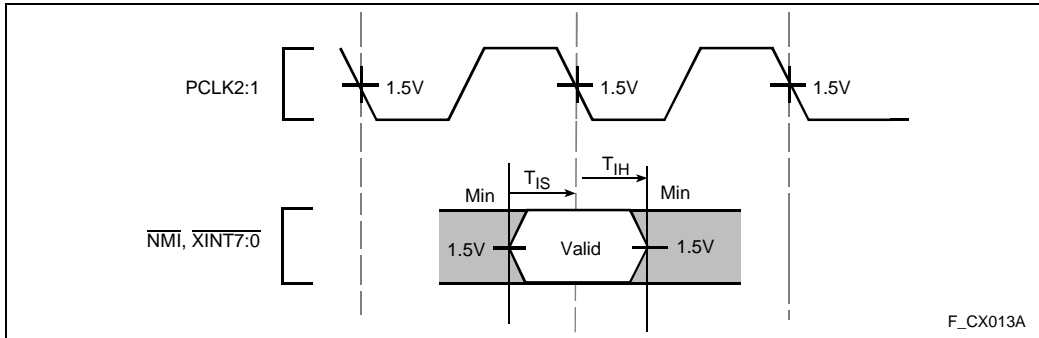


Figure 12. NMI, XINT7:0 Input Setup and Hold Waveform

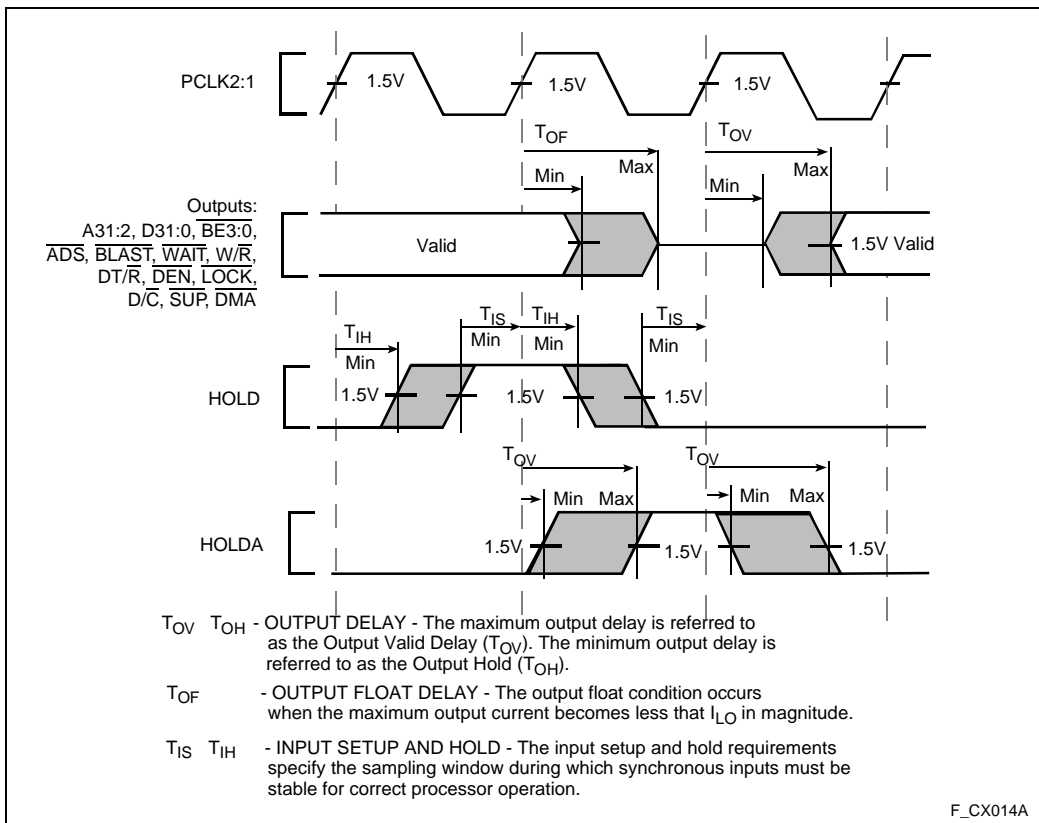


Figure 13. Hold Acknowledge Timings

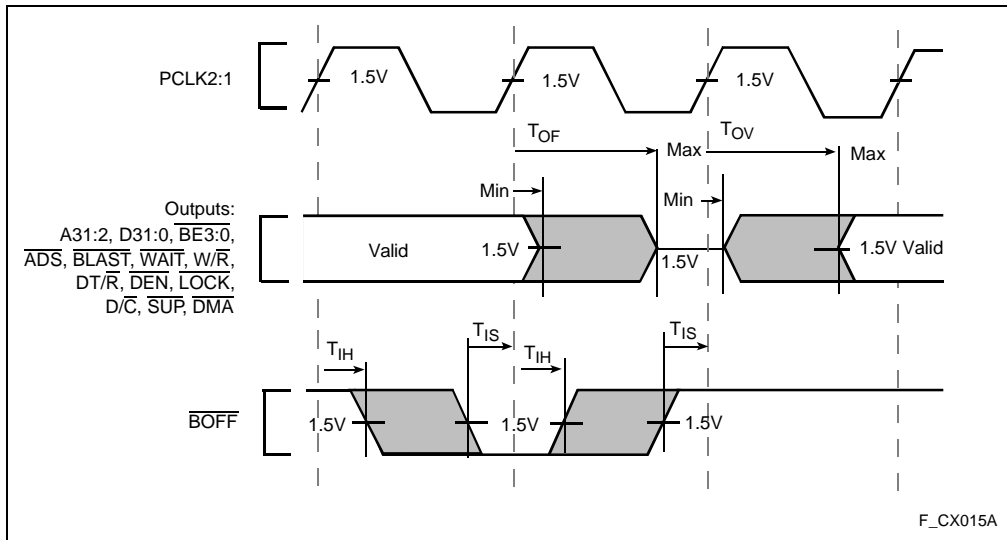


Figure 14. Bus Backoff (BOFF) Timings



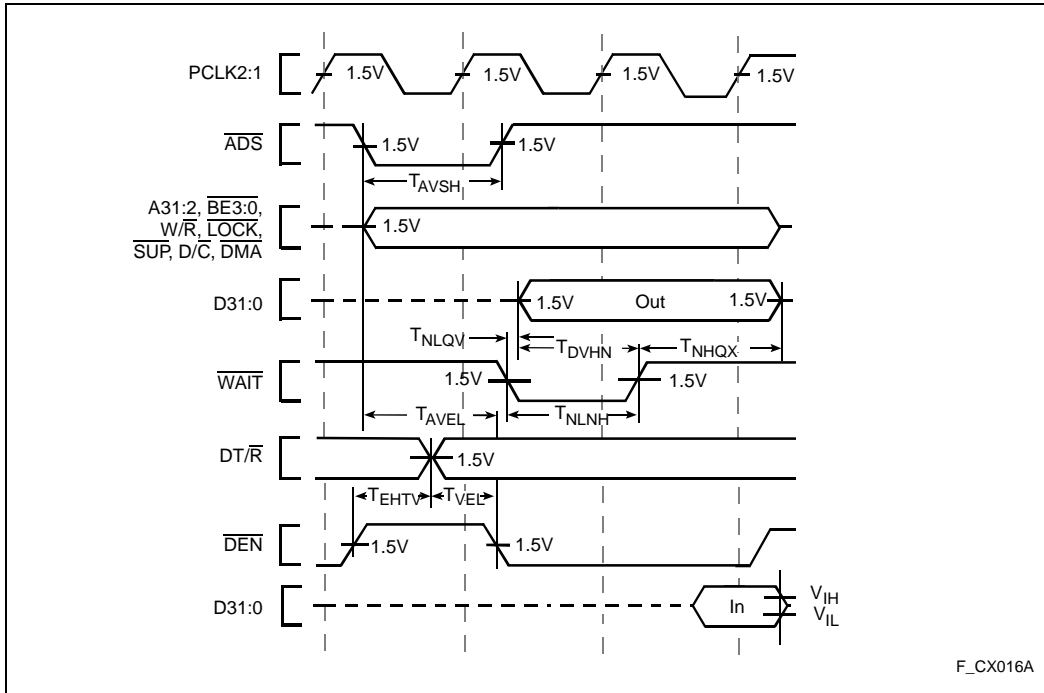


Figure 15. Relative Timings Waveforms

4.5.3 Derating Curves

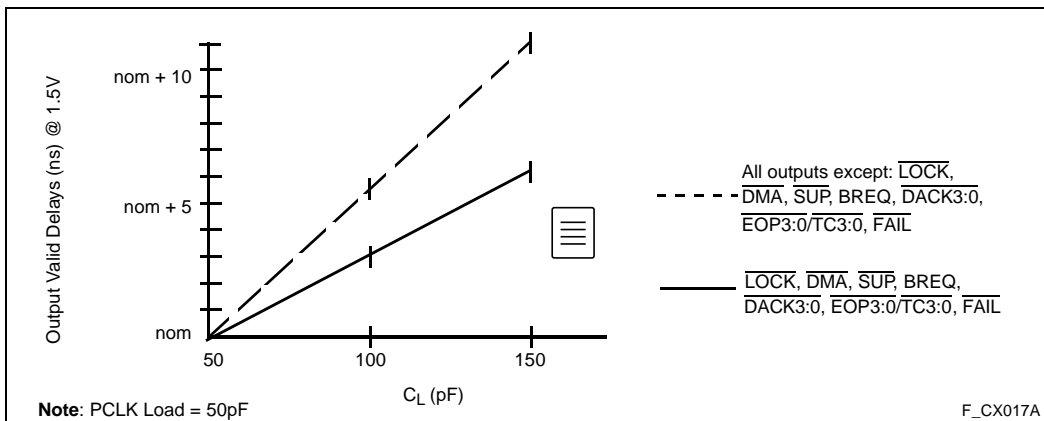


Figure 16. Output Delay or Hold vs. Load Capacitance

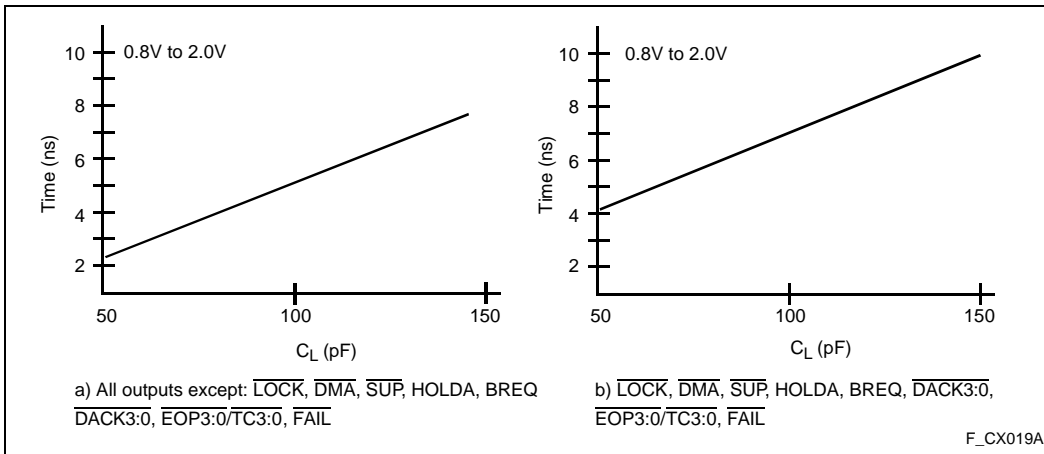


Figure 17. Rise and Fall Time Derating at Highest Operating Temperature and Minimum  $V_{CC}$

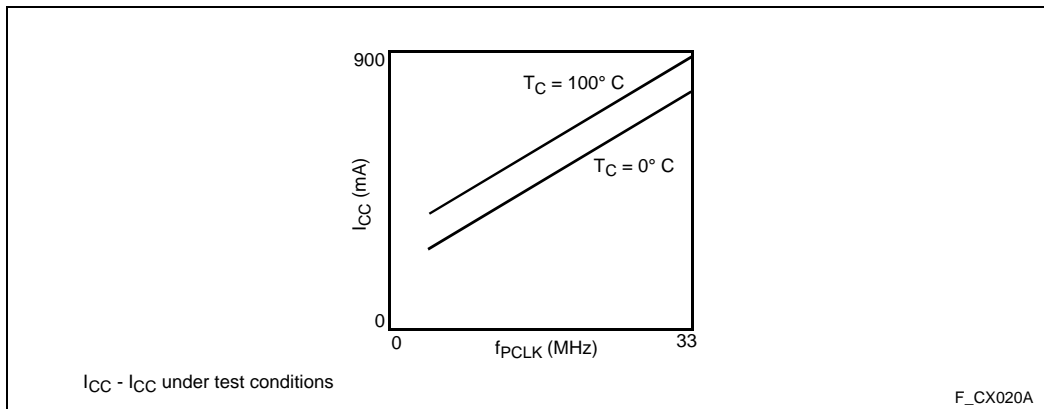


Figure 18.  $I_{CC}$  vs. Frequency and Temperature

## 5.0 RESET, BACKOFF AND HOLD ACKNOWLEDGE

Table 19 lists the condition of each processor output pin while RESET is asserted (low).

**Table 19. Reset Conditions**

| Pins   | State During Reset (HOLDA inactive) <sup>1</sup> |
|--|--|
| A31:2  | Floating   |
| D31:0  | Floating   |
| $\overline{\text{BE}}3:0$                          | Driven high (Inactive)                           |
| $\overline{\text{W}}/\overline{\text{R}}$          | Driven low (Read)                                |
| $\overline{\text{ADS}}$                            | Driven high (Inactive)                           |
| $\overline{\text{WAIT}}$                           | Driven high (Inactive)                           |
| $\overline{\text{BLAST}}$                          | Driven low (Active)                              |
| $\overline{\text{DT}}/\overline{\text{R}}$         | Driven low (Receive)                             |
| $\overline{\text{DEN}}$                            | Driven high (Inactive)                           |
| $\overline{\text{LOCK}}$                           | Driven high (Inactive)                           |
| BREQ   | Driven low (Inactive)                            |
| $\overline{\text{D}}/\overline{\text{C}}$          | Floating   |
| $\overline{\text{DMA}}$                            | Floating   |
| $\overline{\text{SUP}}$                            | Floating   |
| $\overline{\text{FAIL}}$                           | Driven low (Active)                              |
| $\overline{\text{DACK}}3:0$                        | Driven high (Inactive)                           |
| $\overline{\text{EOP}}3:0/\overline{\text{TC}}3:0$ | Floating (Set to input mode)                     |

**NOTES:**

- With regard to bus output pin state only, the Hold Acknowledge state takes precedence over the reset state. Although asserting the RESET pin will internally reset the processor, the processor's bus output pins will not enter the reset state if it has granted Hold Acknowledge to a previous HOLD request (HOLDA is active). Furthermore, the processor will grant new HOLD requests and enter the Hold Acknowledge state even while in reset.  
For example, if HOLDA is inactive and the processor is in the reset state, then HOLD is asserted, the processor's bus pins enter the Hold Acknowledge state and HOLDA is granted. The processor will not be able to perform memory accesses until the HOLD request is removed, even if the RESET pin is brought high. This operation is provided to simplify boot-up synchronization among multiple processors sharing the same bus.

Table 20 lists the condition of each processor output pin while HOLDA is asserted (low).

**Table 20. Hold Acknowledge and Backoff Conditions**

| Pins   | State During HOLDA     |
|--|------------------------|
| A31:2  | Floating               |
| D31:0  | Floating               |
| $\overline{\text{BE}}3:0$                          | Floating               |
| $\overline{\text{W}}/\overline{\text{R}}$          | Floating               |
| $\overline{\text{ADS}}$                            | Floating               |
| $\overline{\text{WAIT}}$                           | Floating               |
| $\overline{\text{BLAST}}$                          | Floating               |
| $\overline{\text{DT}}/\overline{\text{R}}$         | Floating               |
| $\overline{\text{DEN}}$                            | Floating               |
| $\overline{\text{LOCK}}$                           | Floating               |
| BREQ   | Driven (High or low)   |
| $\overline{\text{D}}/\overline{\text{C}}$          | Floating               |
| $\overline{\text{DMA}}$                            | Floating               |
| $\overline{\text{SUP}}$                            | Floating               |
| $\overline{\text{FAIL}}$                           | Driven high (Inactive) |
| $\overline{\text{DACK}}3:0$                        | Driven high (Inactive) |
| $\overline{\text{EOP}}3:0/\overline{\text{TC}}3:0$ | Driven (If output)     |

6.0 BUS WAVEFORMS

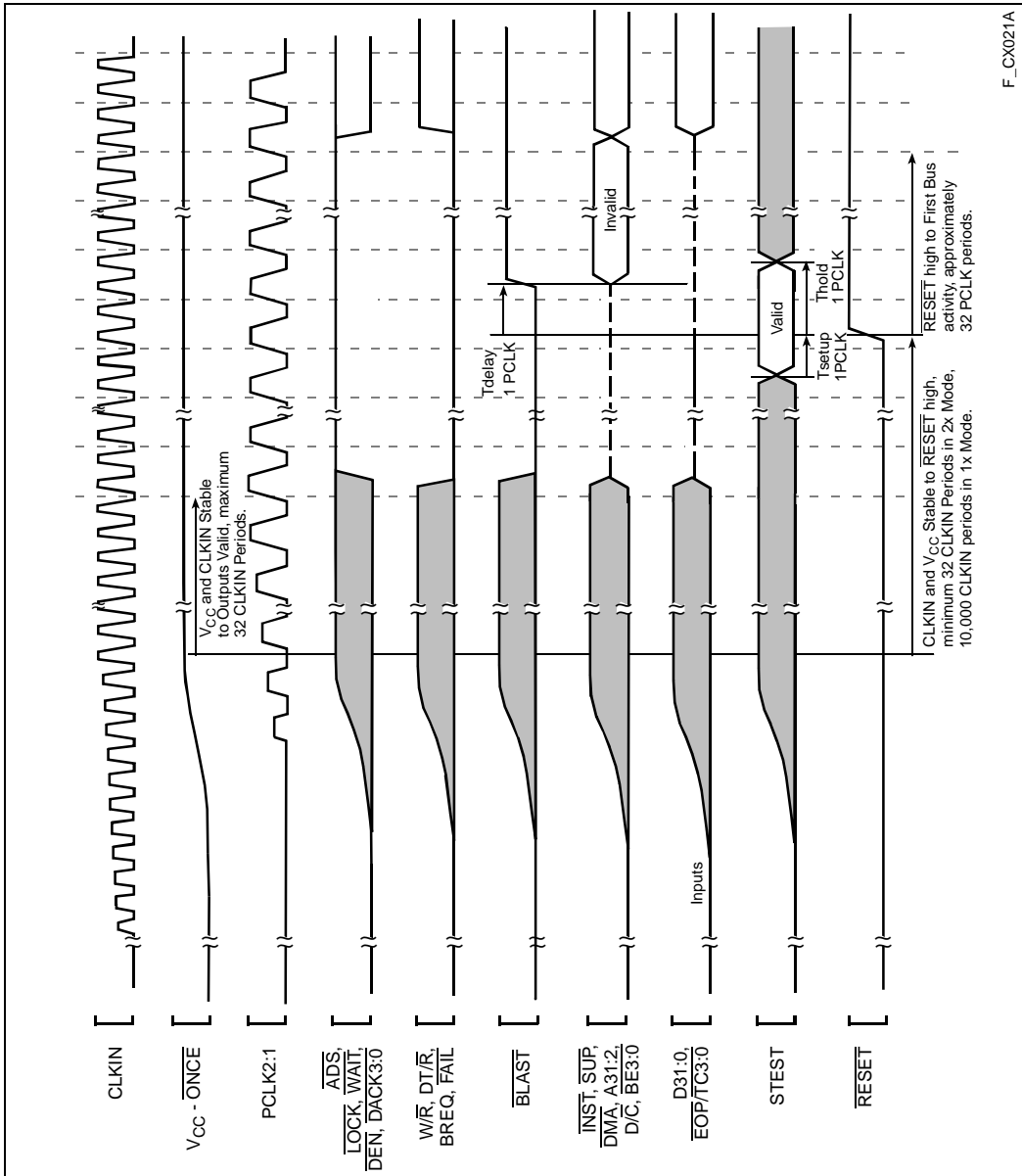


Figure 19. Cold Reset Waveform



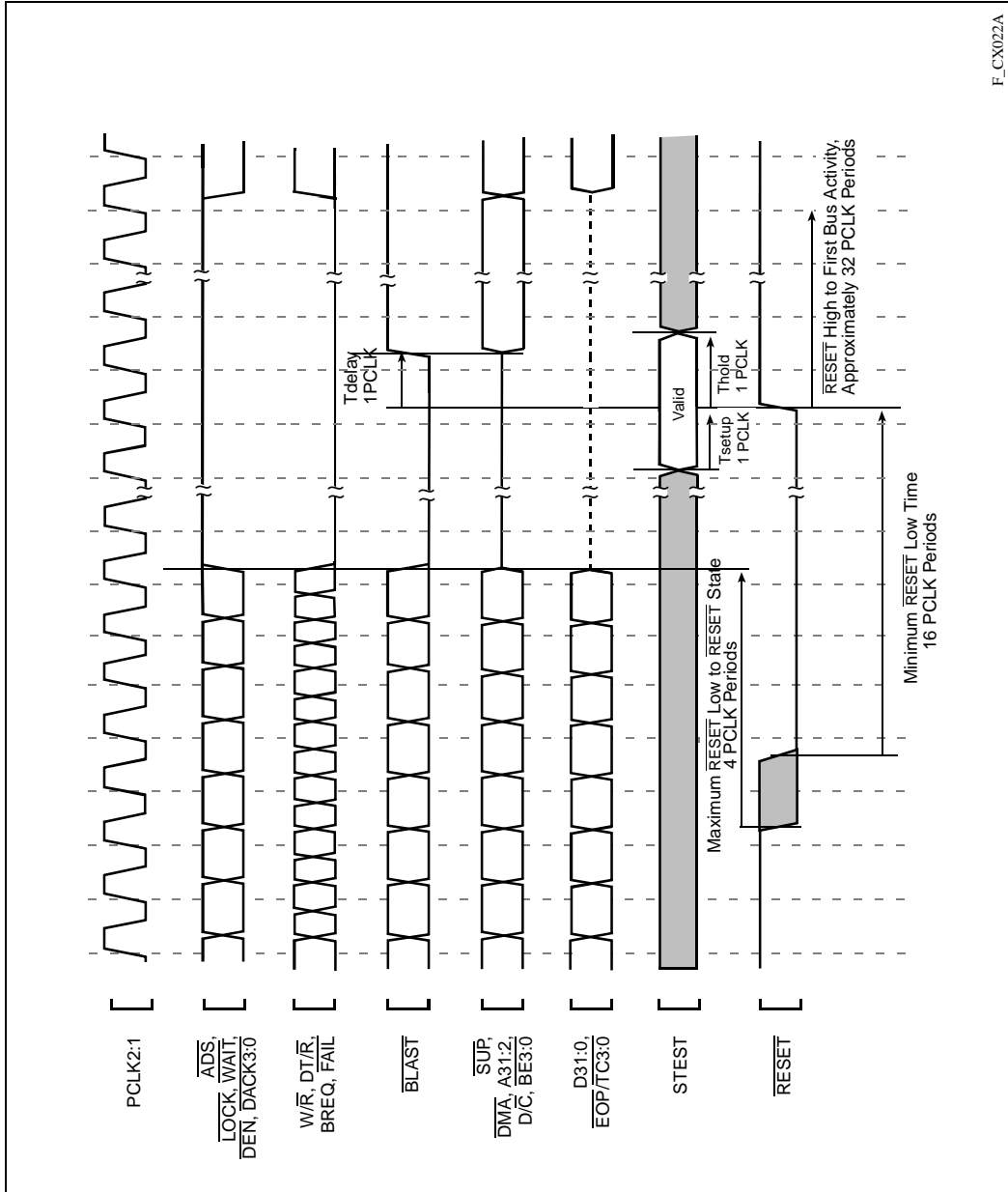


Figure 20. Warm Reset Waveform

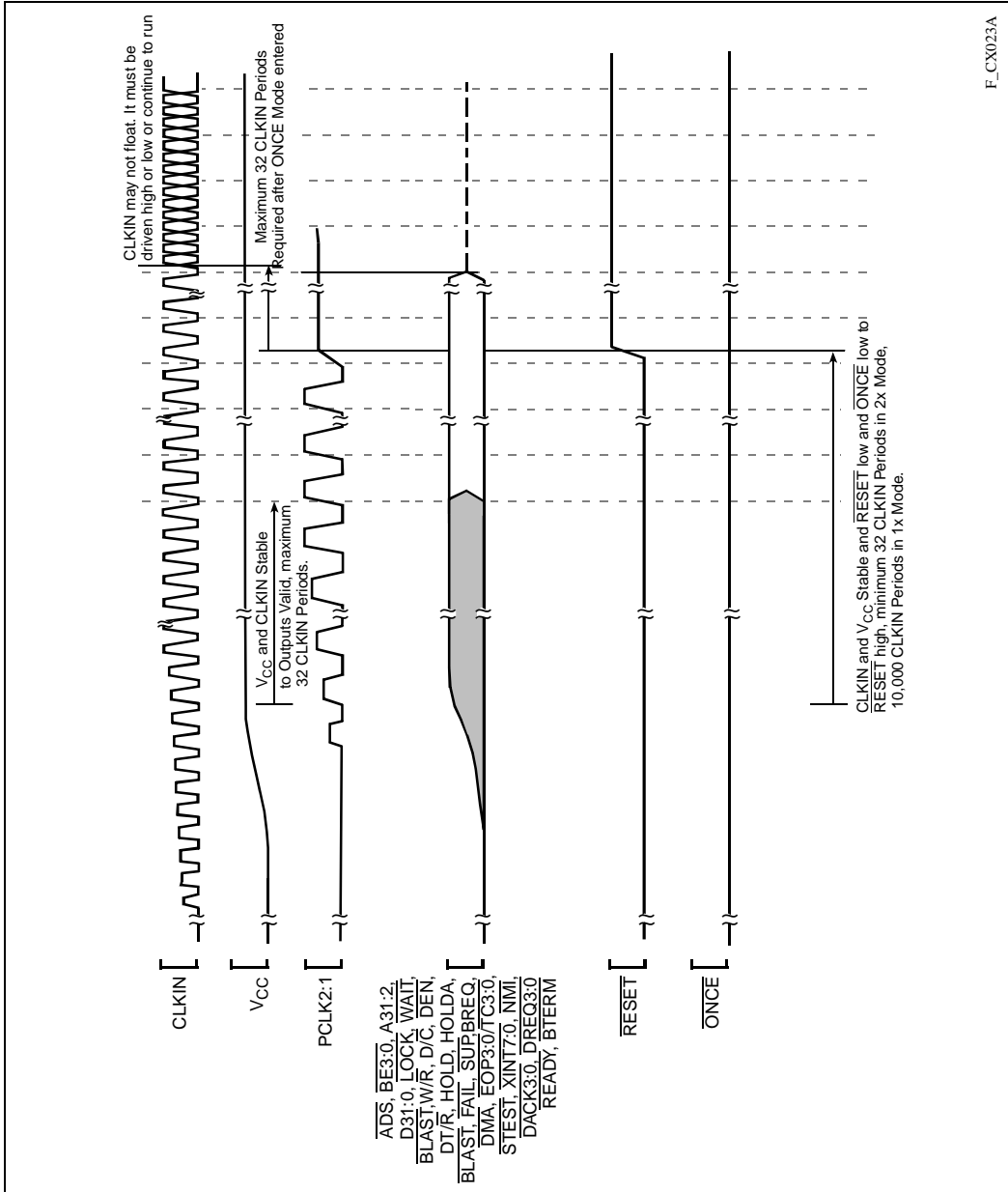


Figure 21. Entering the ONCE State

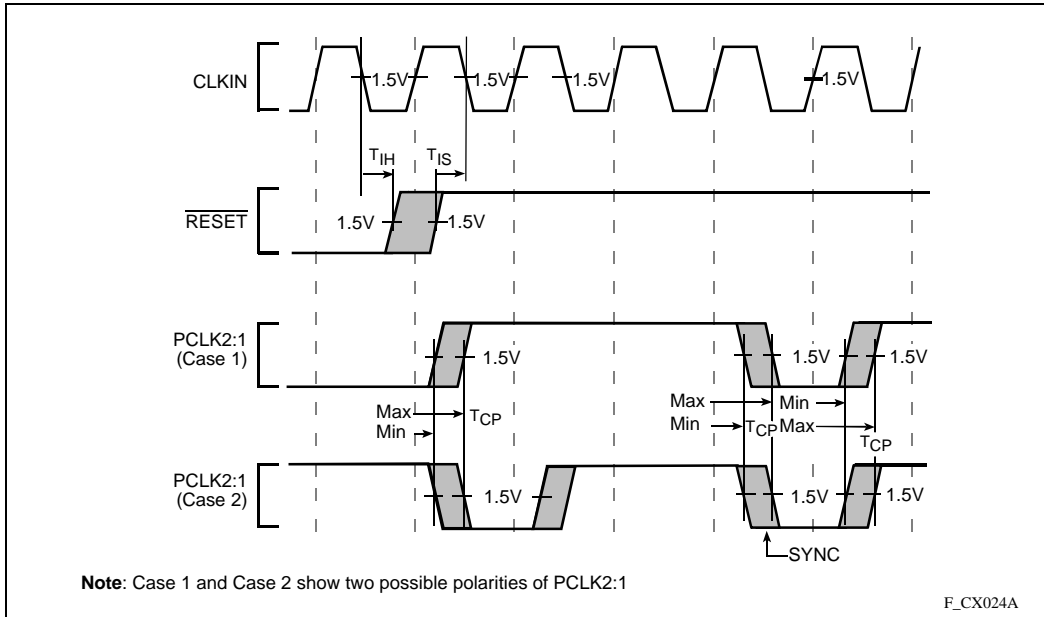


Figure 22. Clock Synchronization in the 2-x Clock Mode

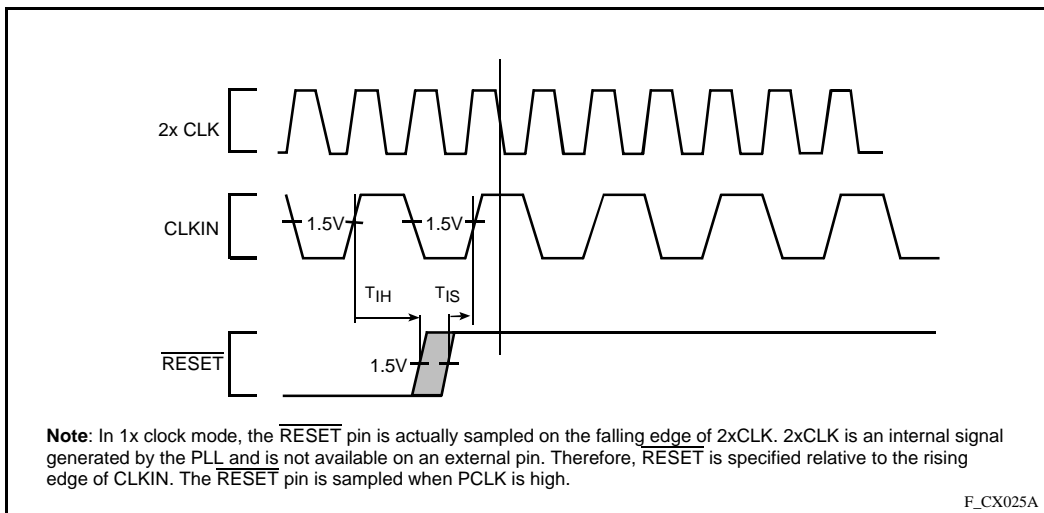


Figure 23. Clock Synchronization in the 1-x Clock Mode

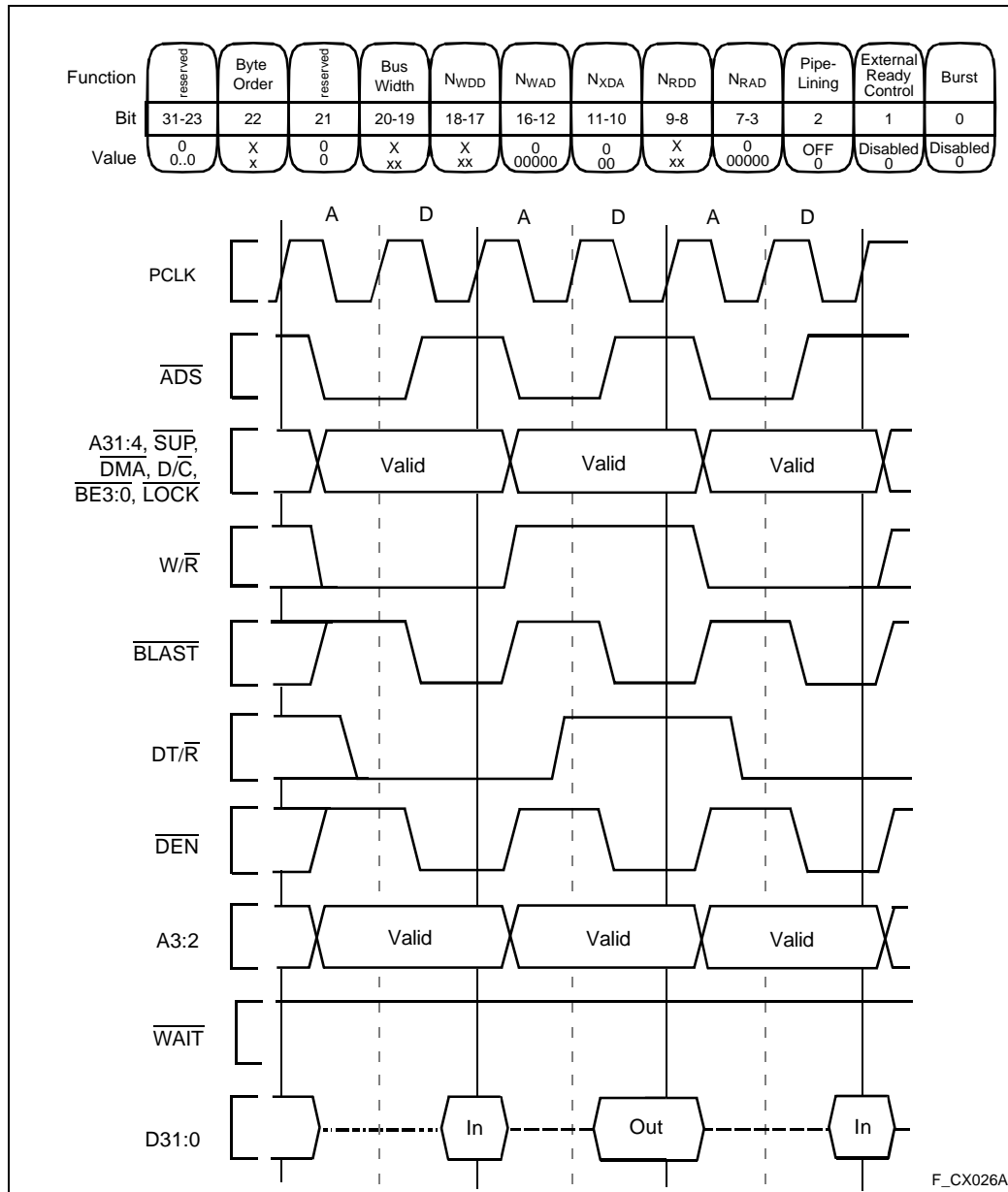


Figure 24. Non-Burst, Non-Pipelined Requests Without Wait States

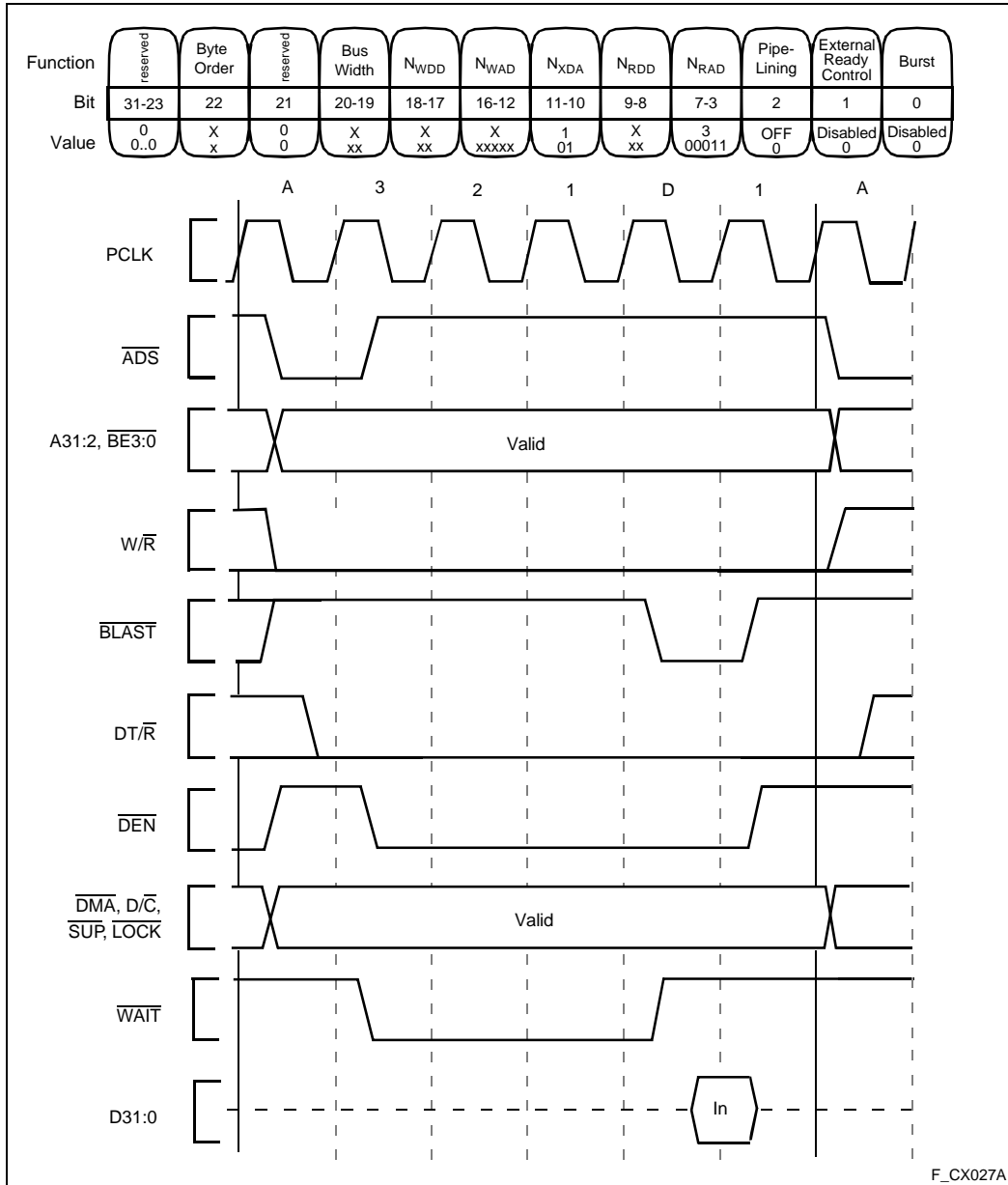


Figure 25. Non-Burst, Non-Pipelined Read Request With Wait States

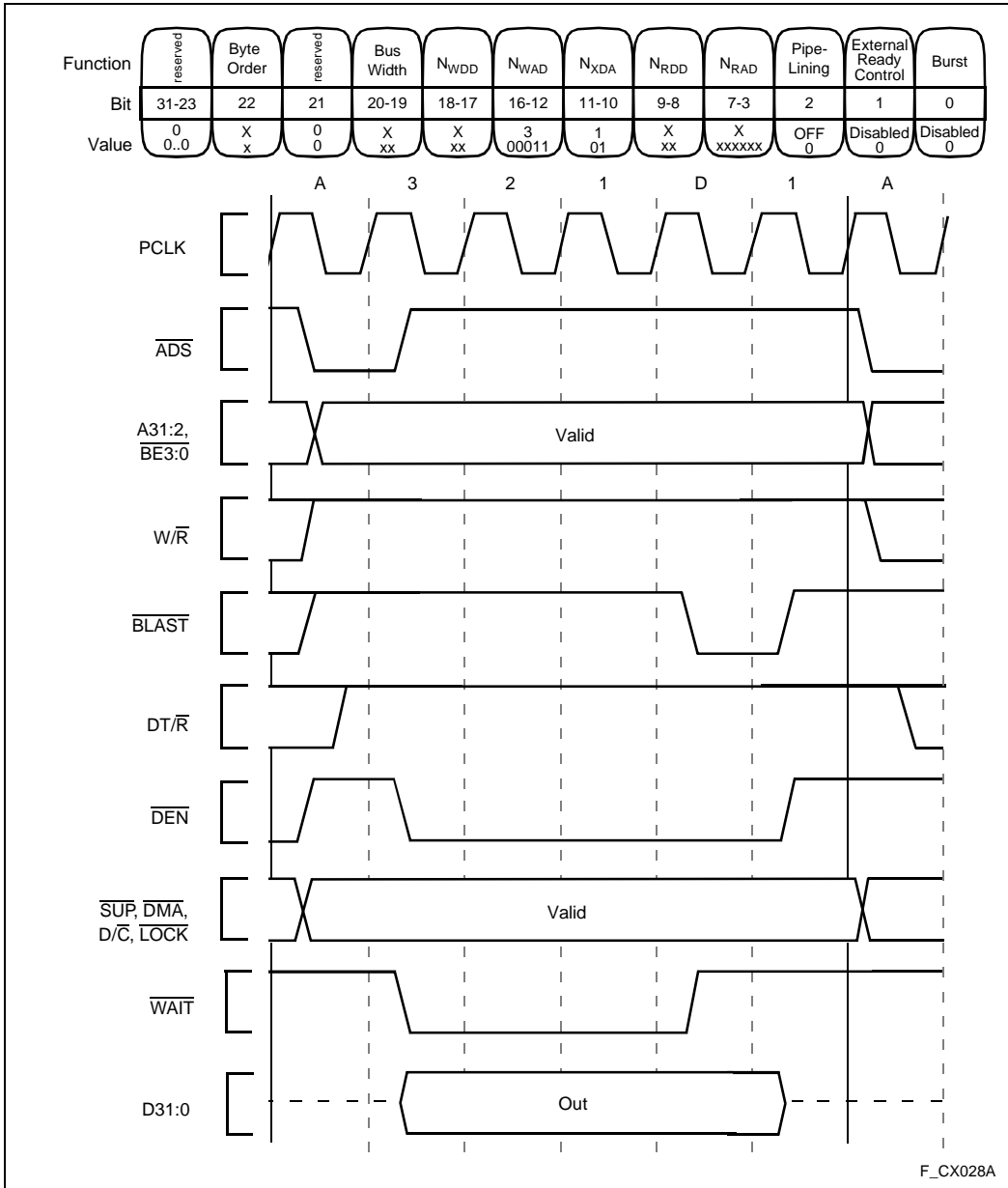


Figure 26. Non-Burst, Non-Pipelined Write Request With Wait States

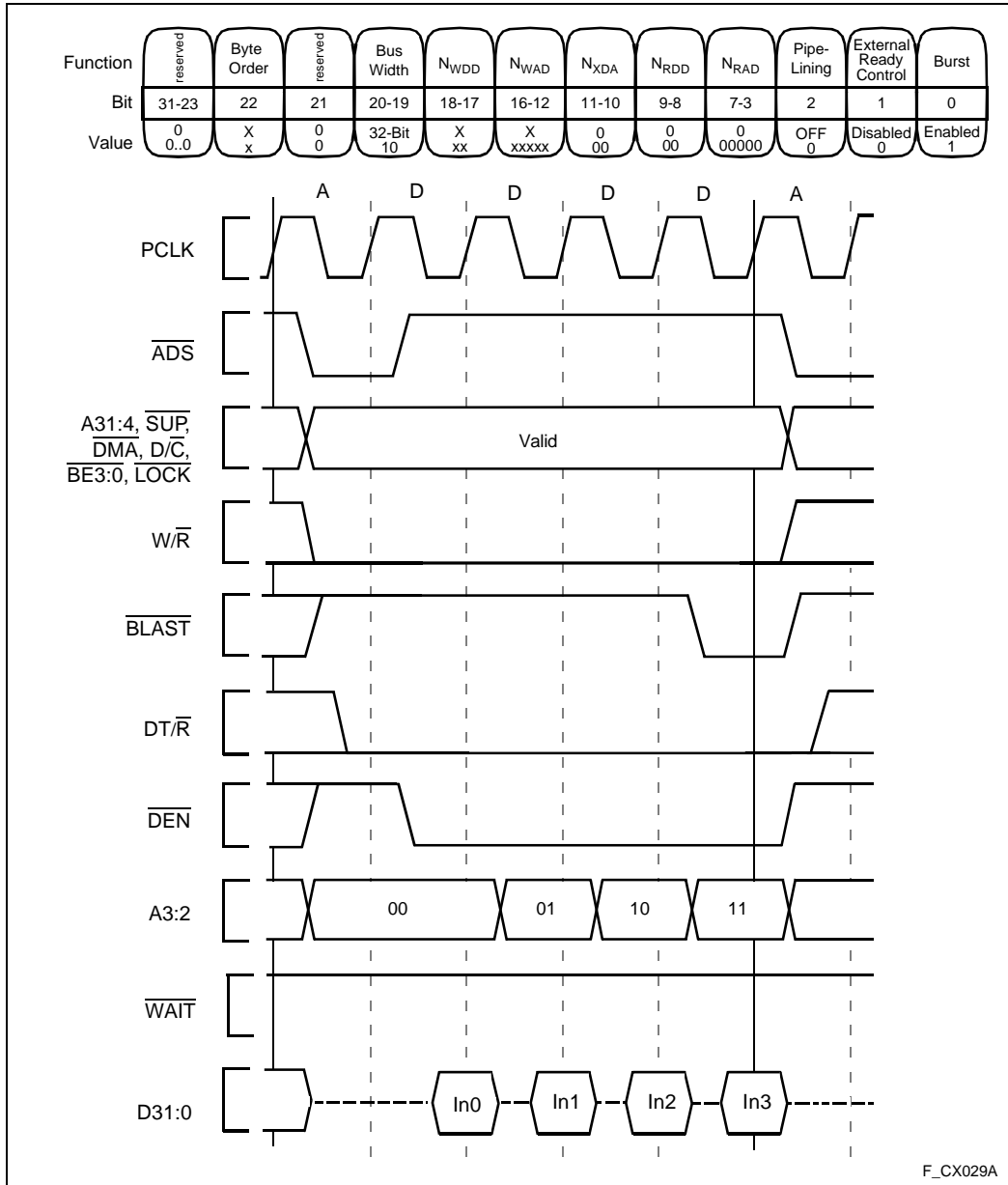


Figure 27. Burst, Non-Pipelined Read Request Without Wait States, 32-Bit Bus

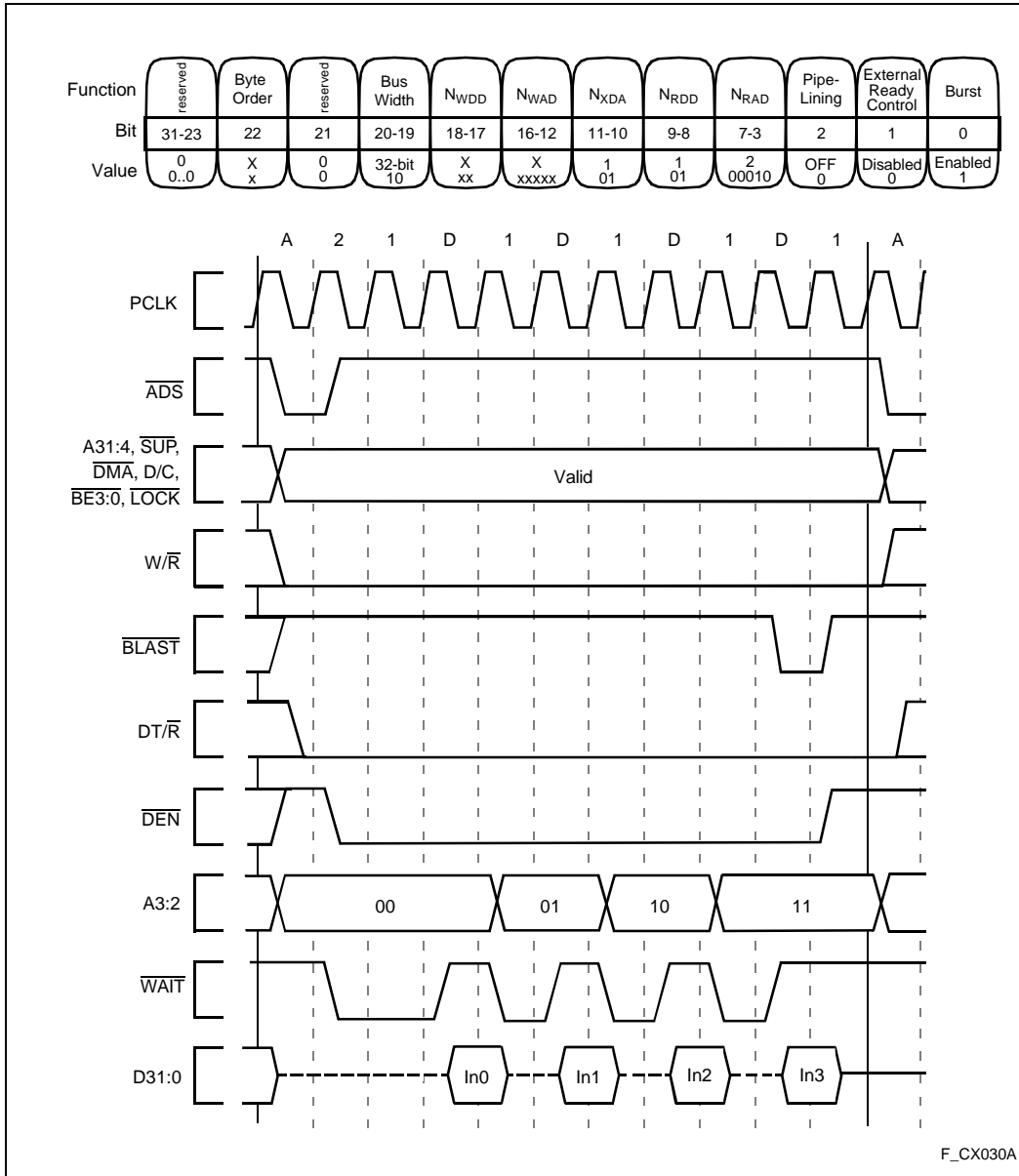


Figure 28. Burst, Non-Pipelined Read Request With Wait States, 32-Bit Bus



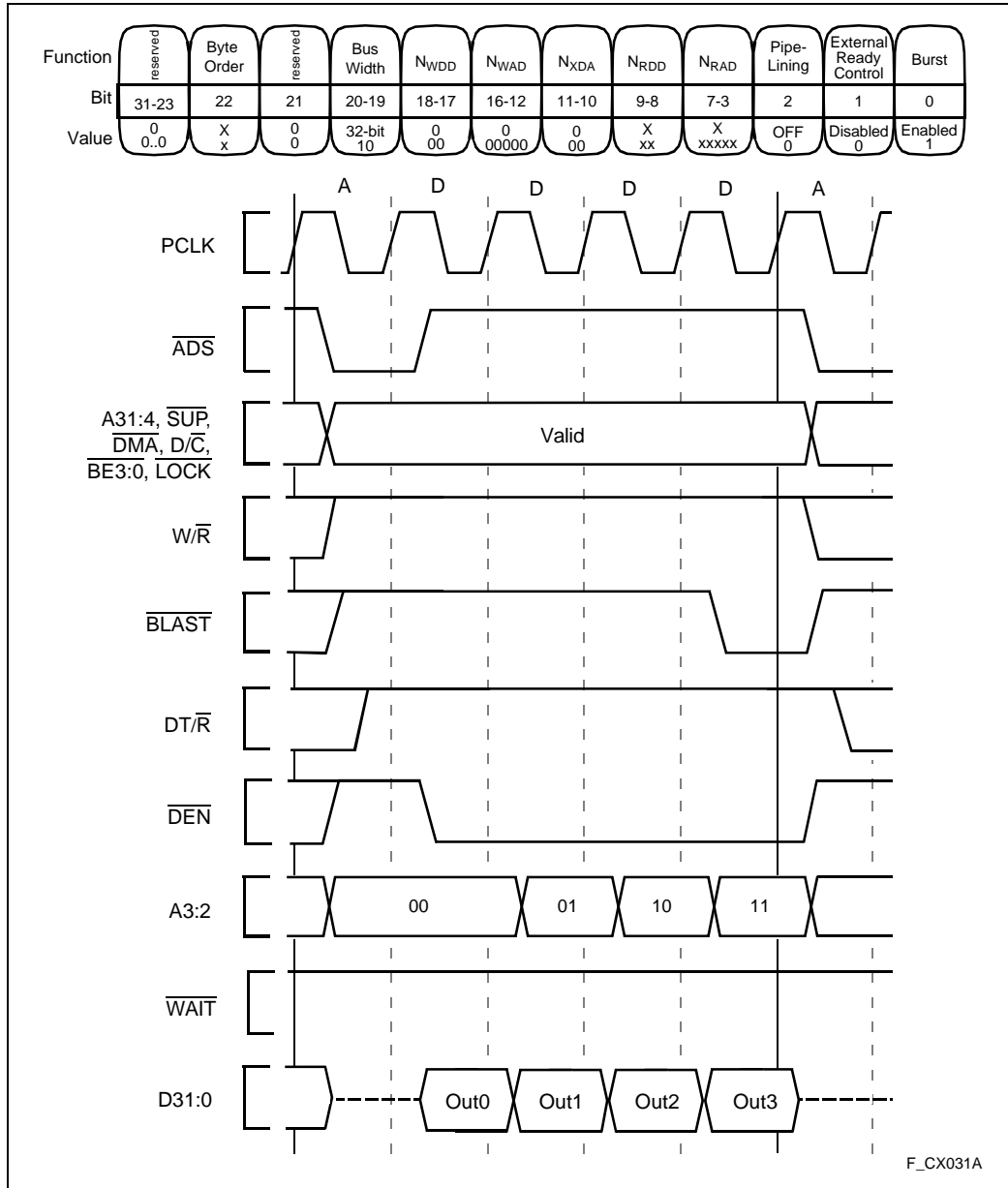


Figure 29. Burst, Non-Pipelined Write Request Without Wait States, 32-Bit Bus

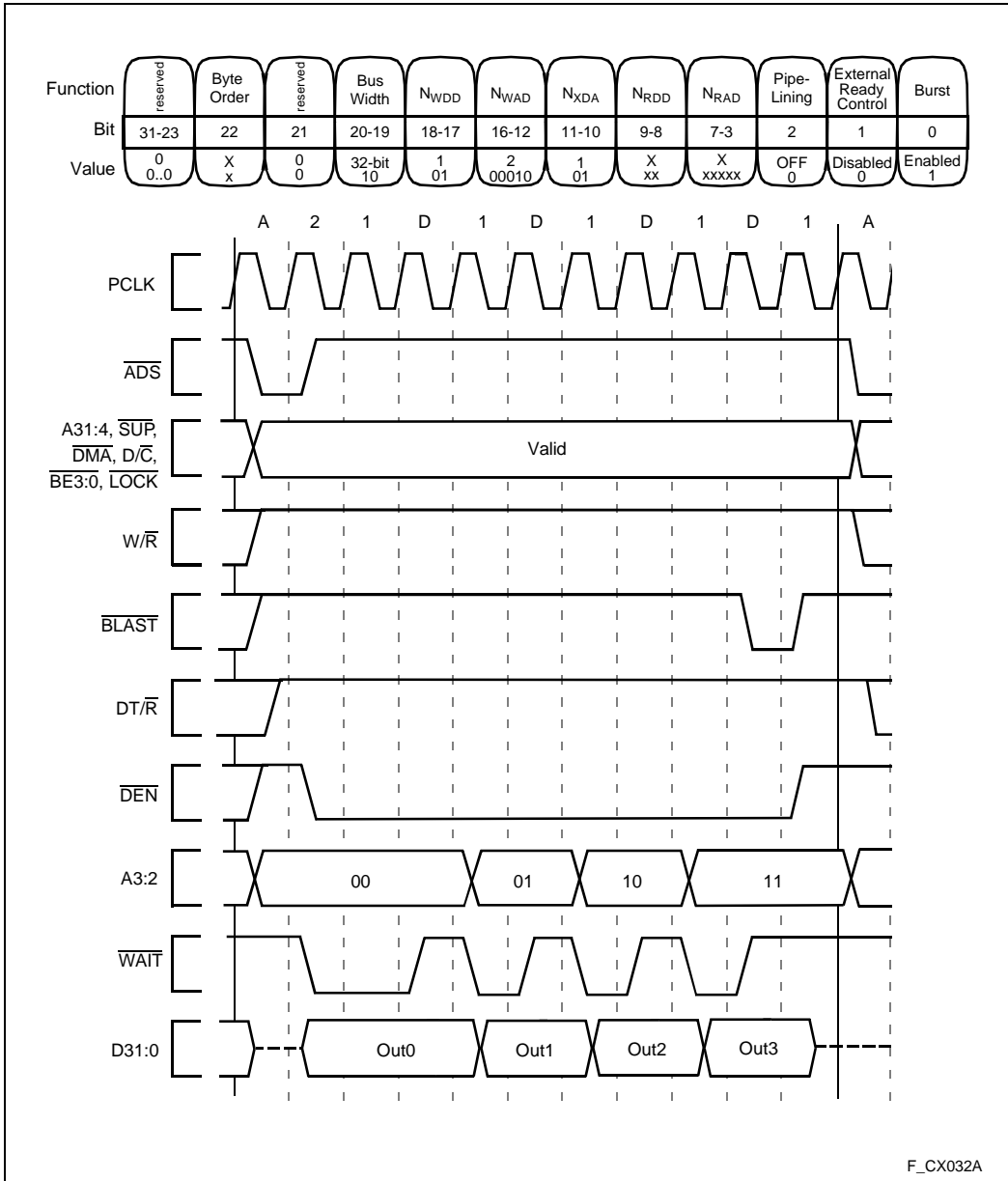


Figure 30. Burst, Non-Pipelined Write Request With Wait States, 32-Bit Bus

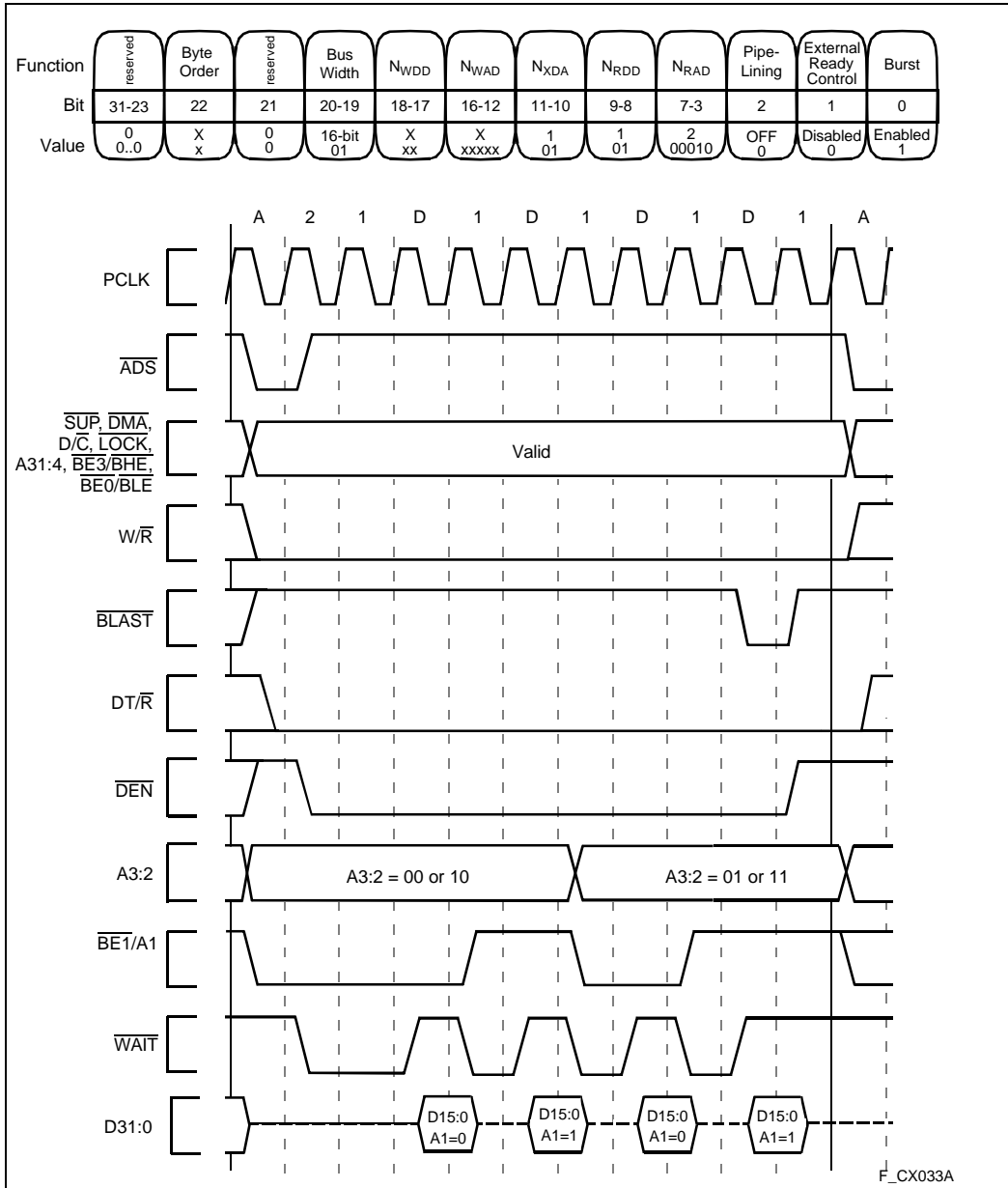


Figure 31. Burst, Non-Pipelined Read Request With Wait States, 16-Bit Bus

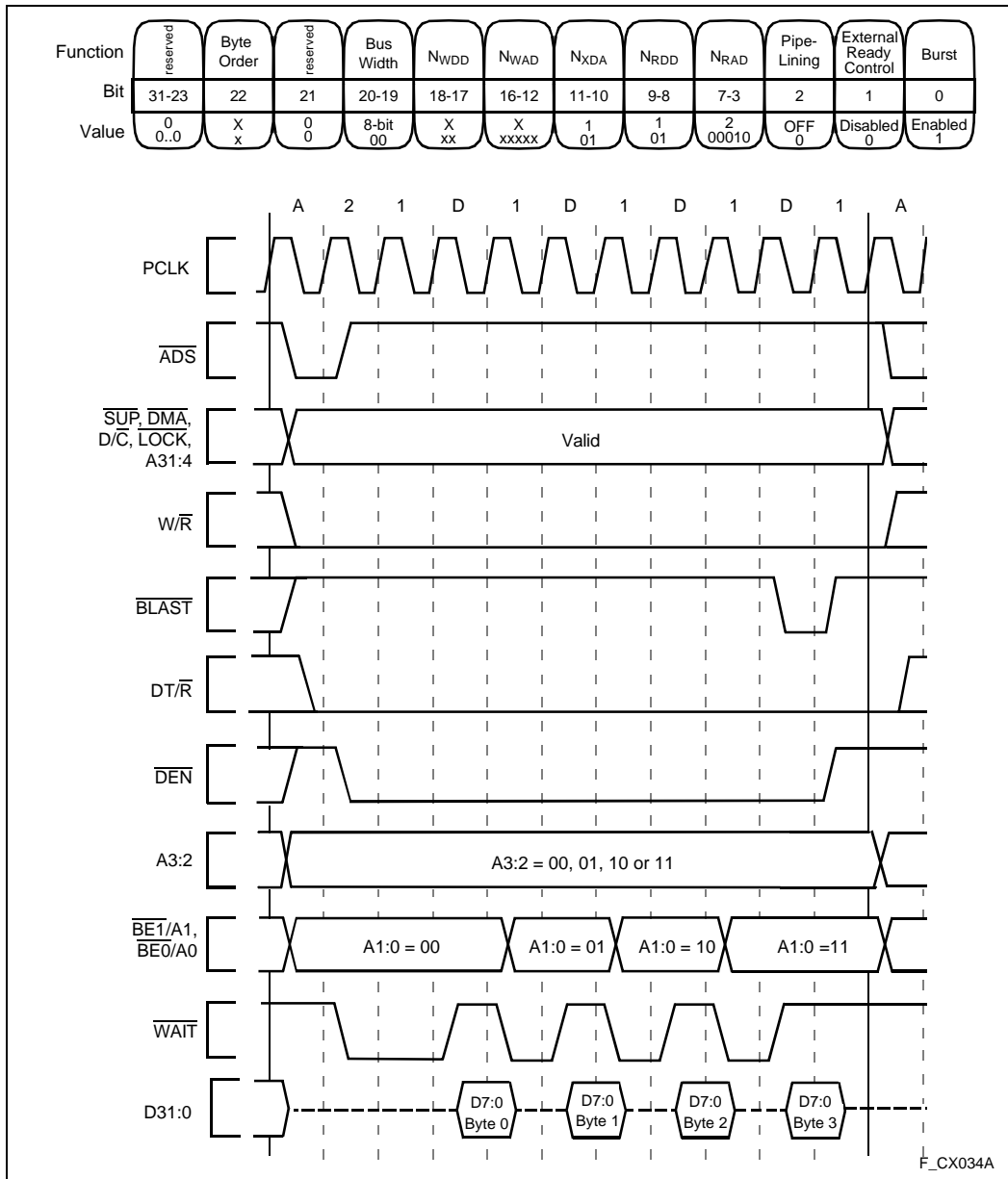


Figure 32. Burst, Non-Pipelined Read Request With Wait States, 8-Bit Bus

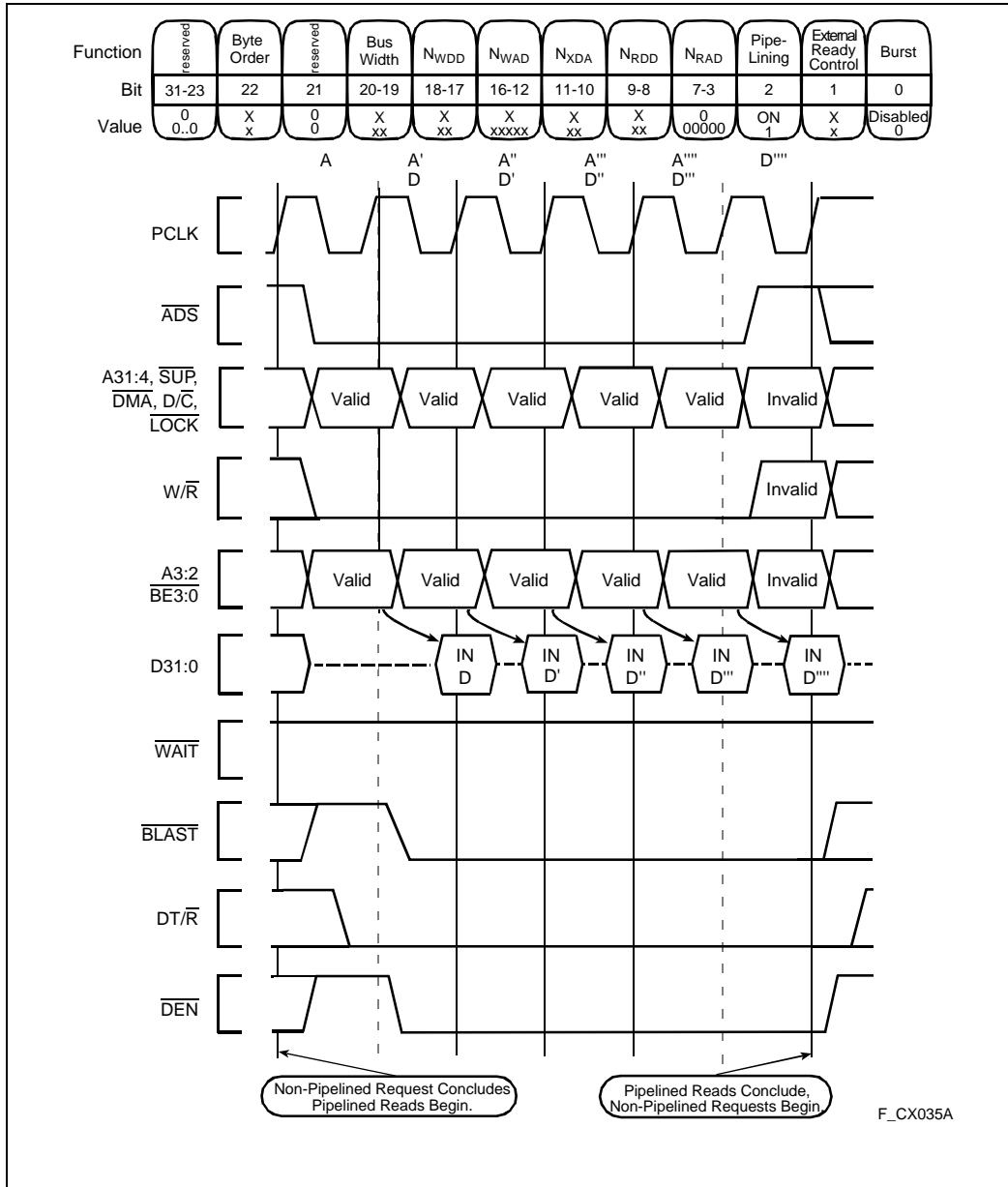


Figure 33. Non-Burst, Pipelined Read Request Without Wait States, 32-Bit Bus

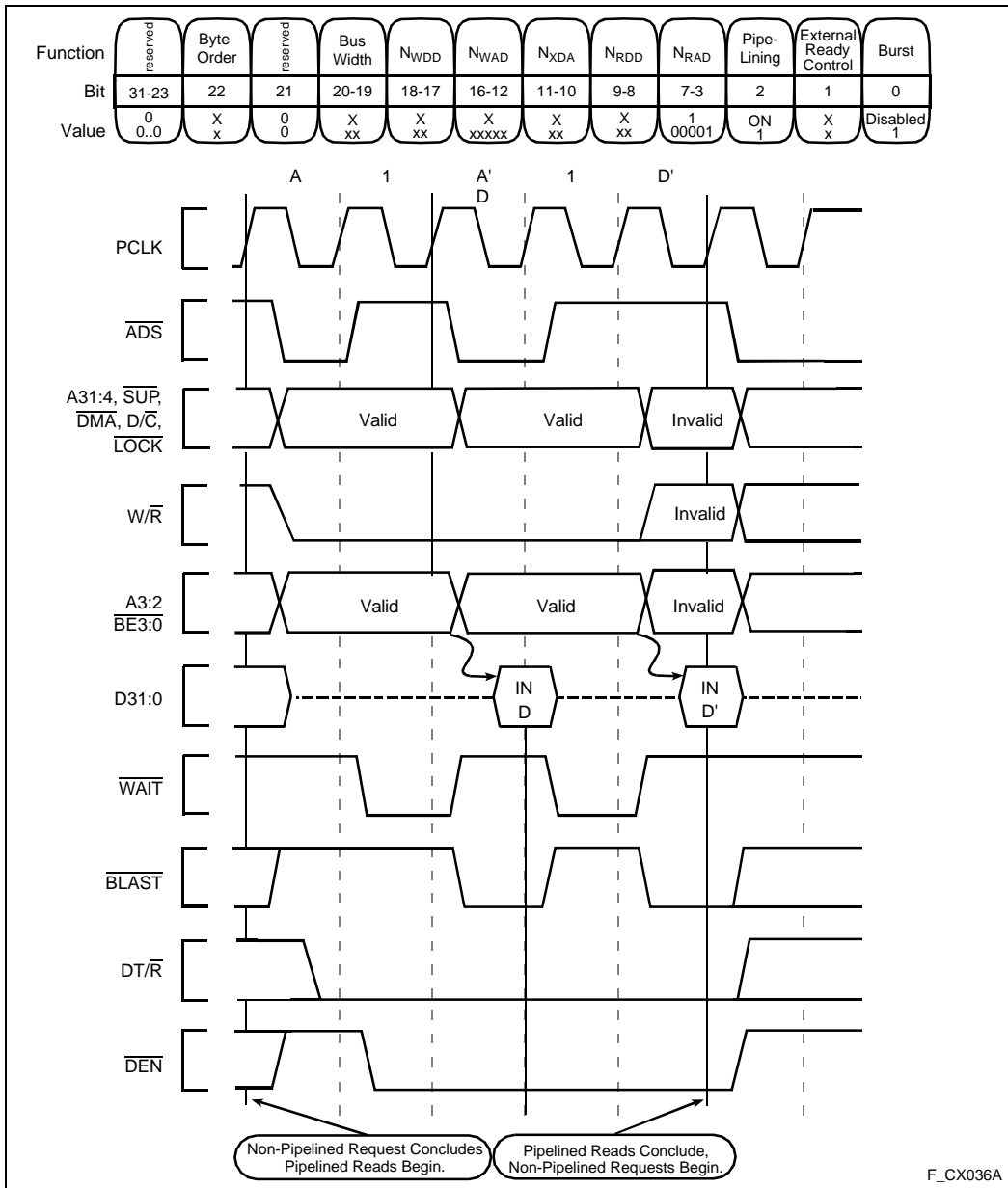


Figure 34. Non-Burst, Pipelined Read Request With Wait States, 32-Bit Bus

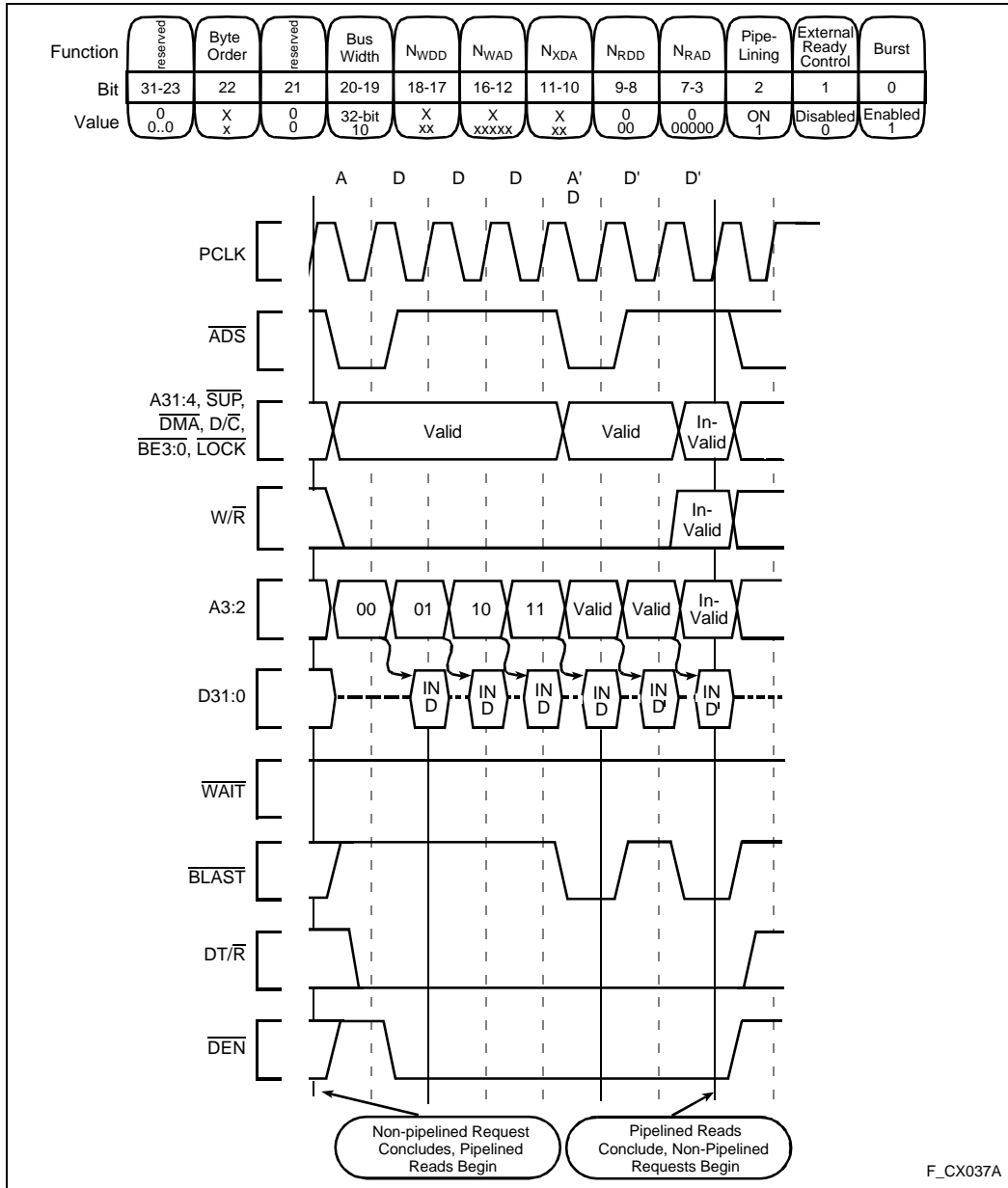


Figure 35. Burst, Pipelined Read Request Without Wait States, 32-Bit Bus

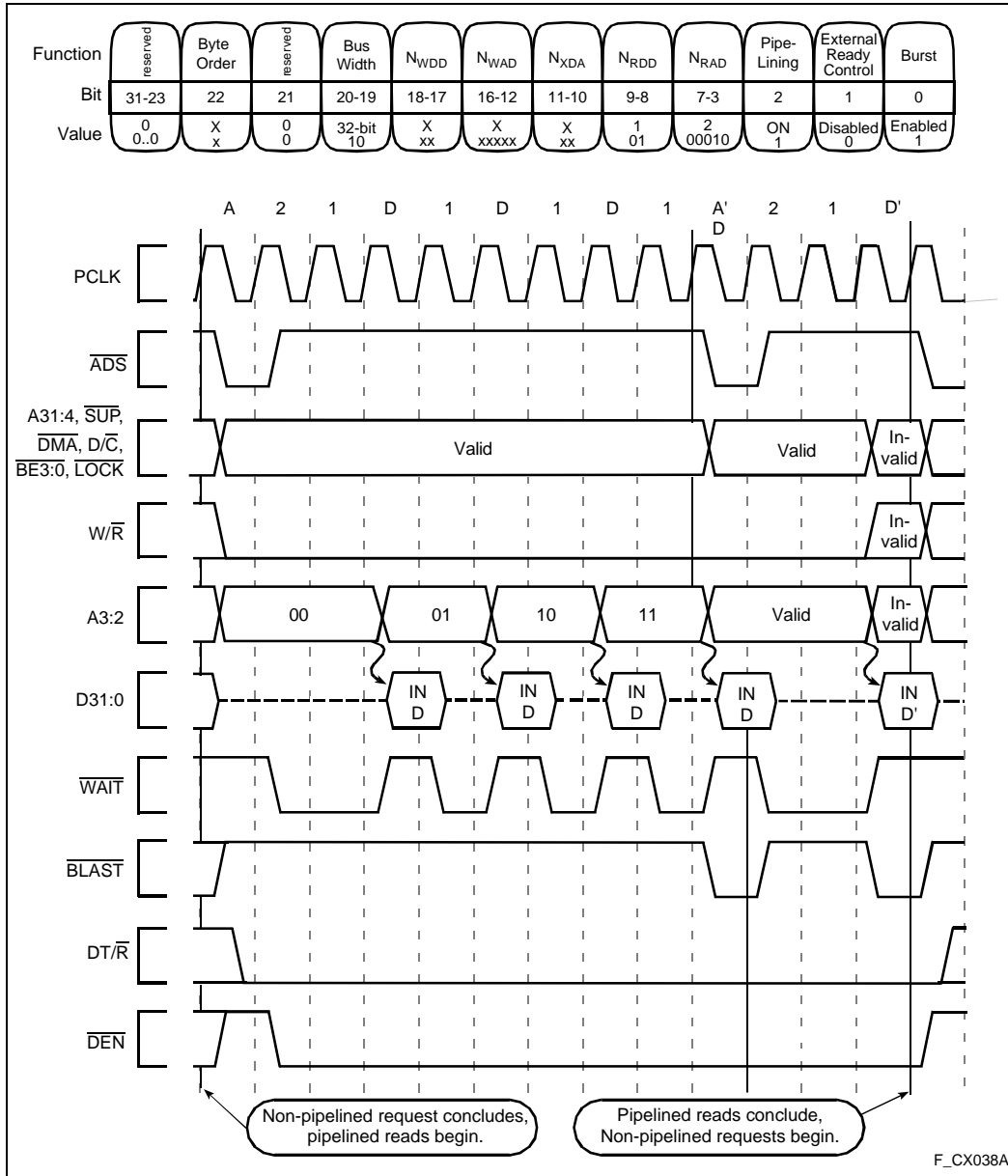


Figure 36. Burst, Pipelined Read Request With Wait States, 32-Bit Bus



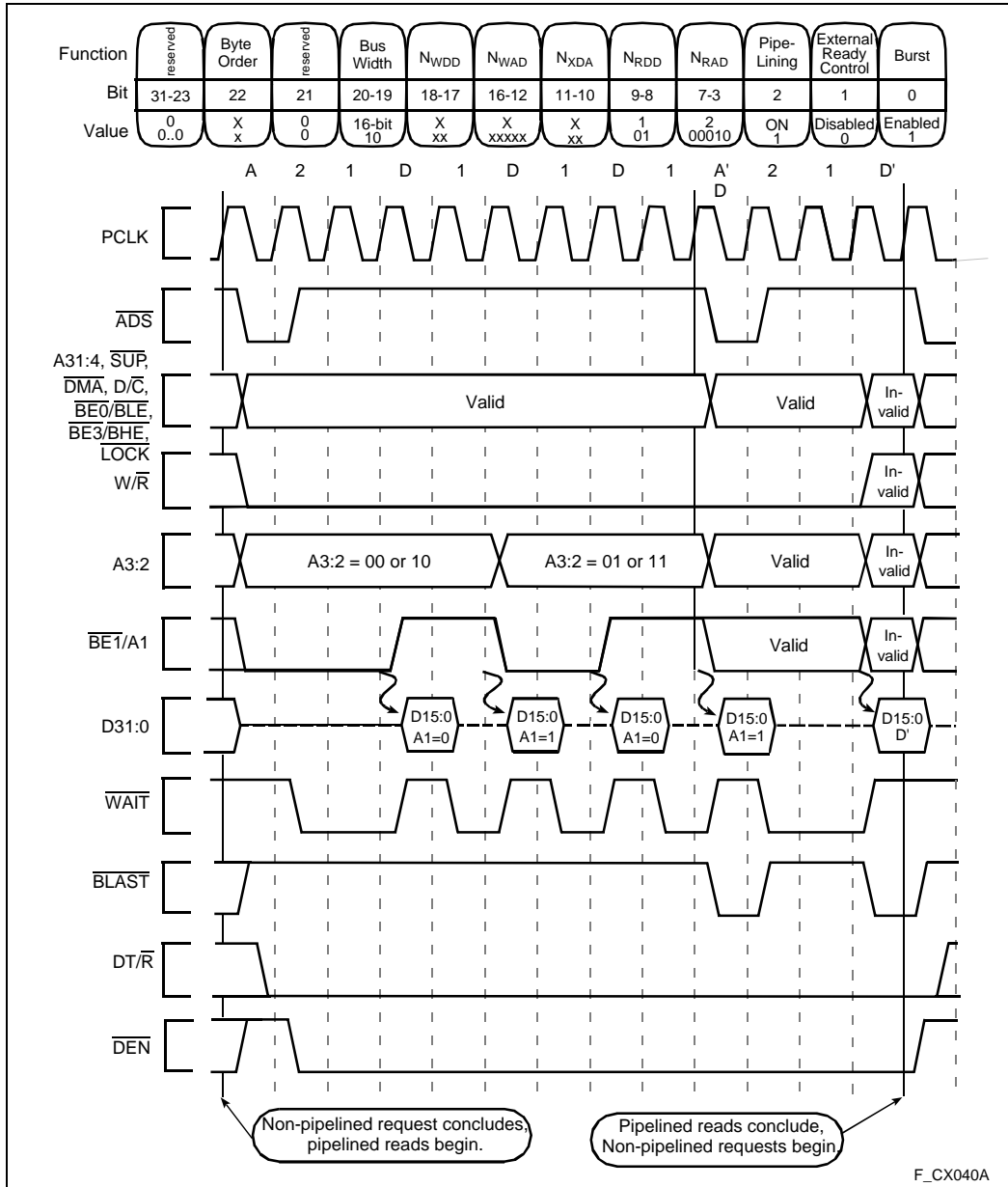


Figure 37. Burst, Pipelined Read Request With Wait States, 16-Bit Bus

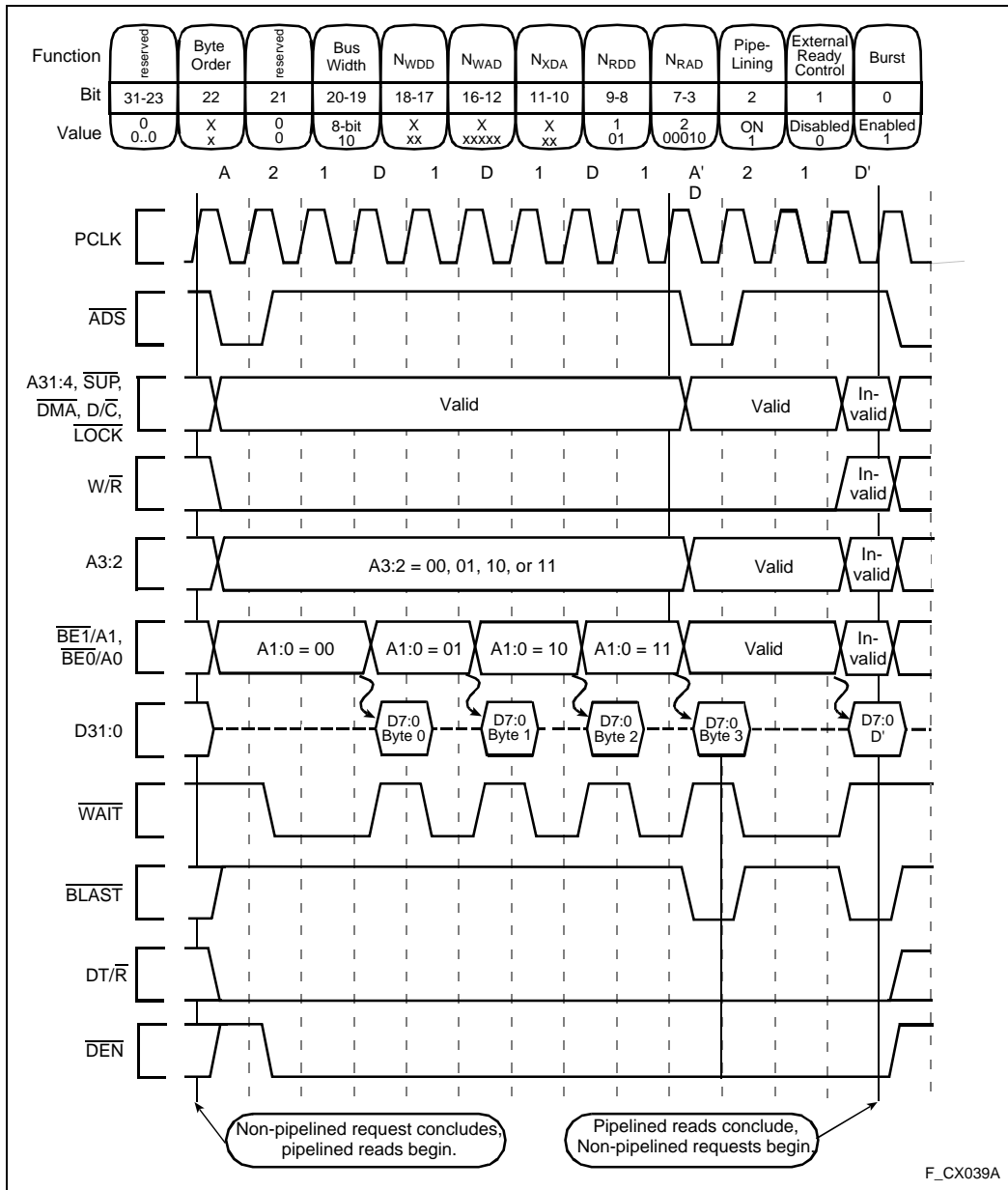


Figure 38. Burst, Pipelined Read Request With Wait States, 8-Bit Bus

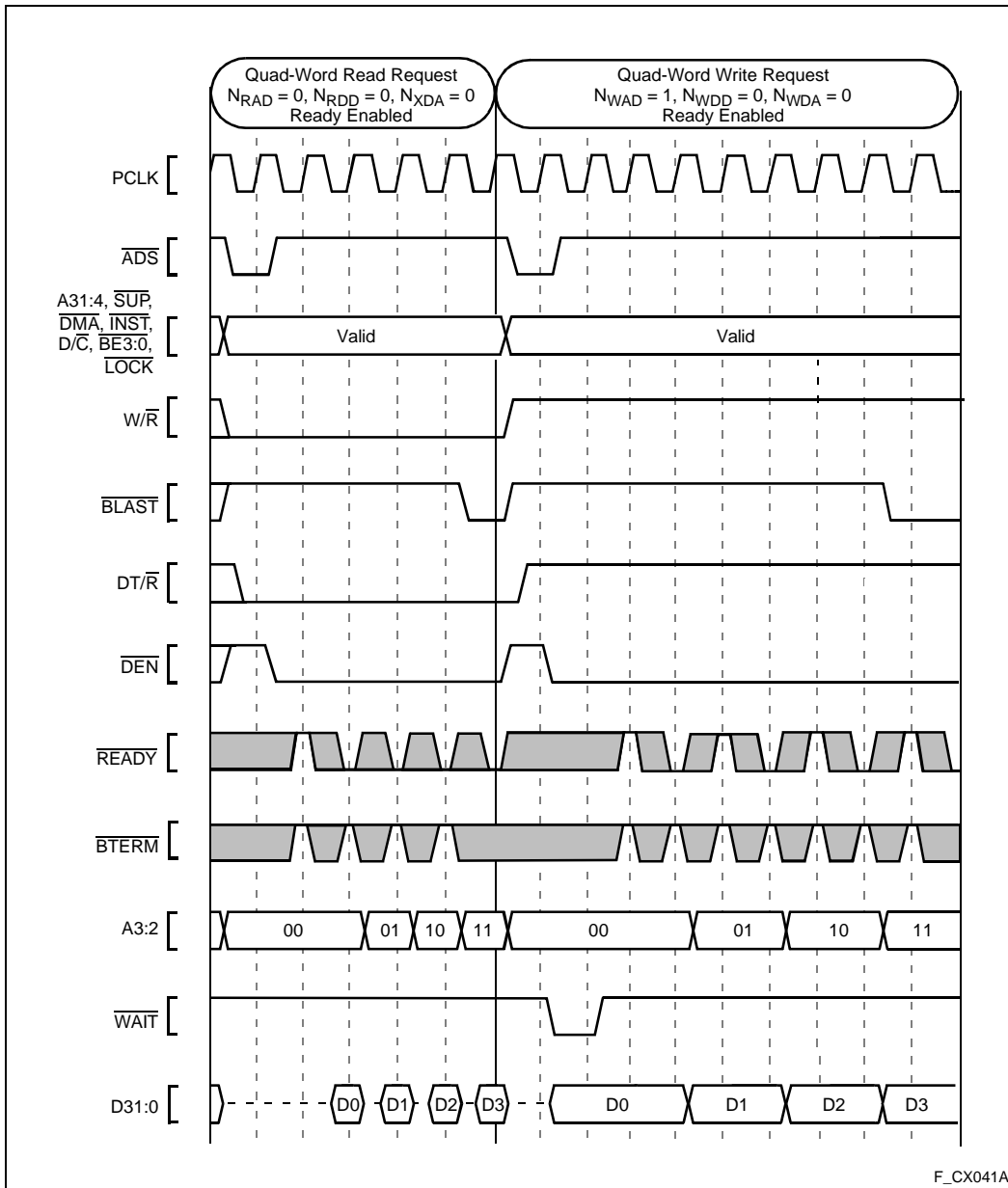


Figure 39. Using External READY

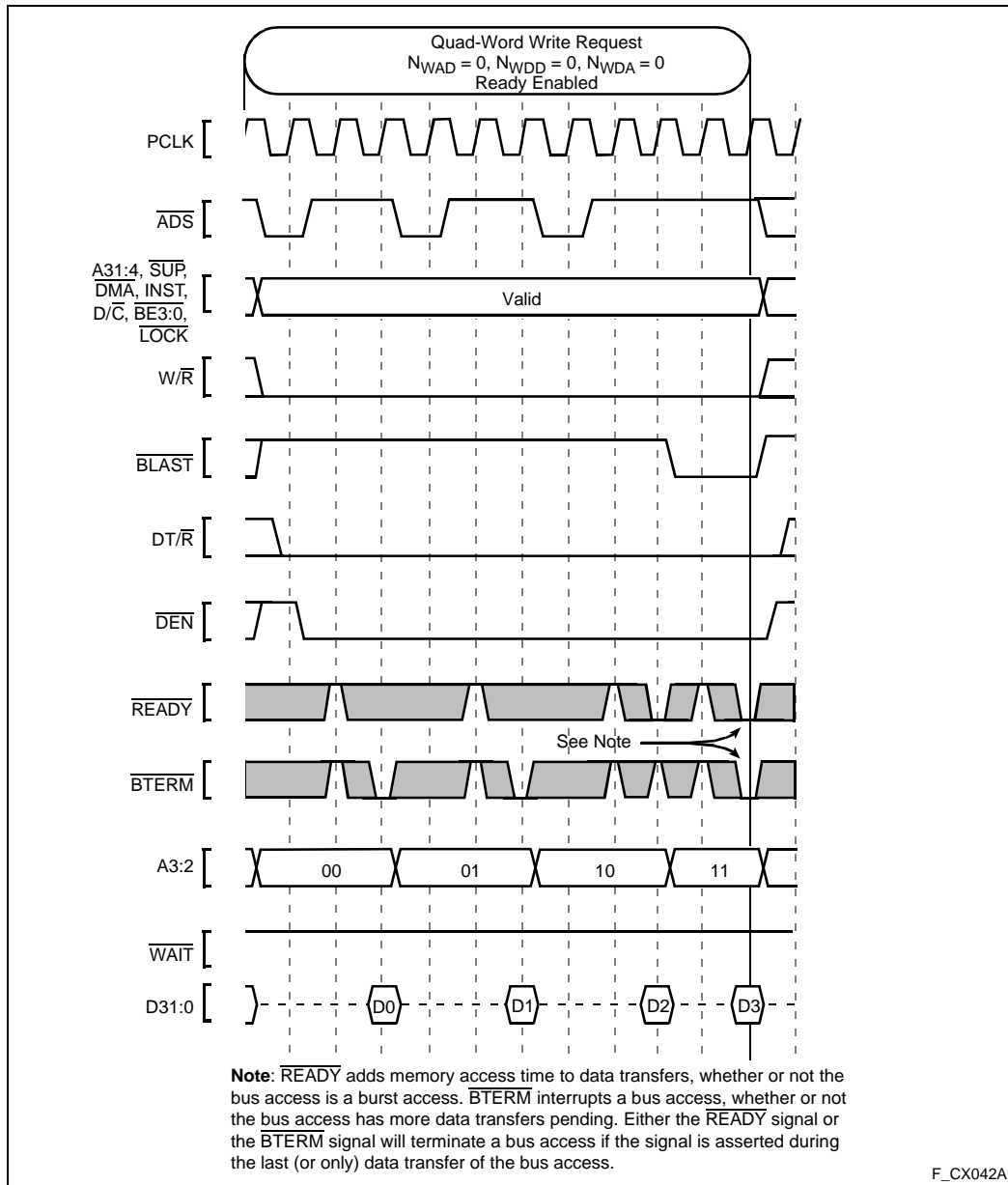


Figure 40. Terminating a Burst with  $\overline{BTERM}$

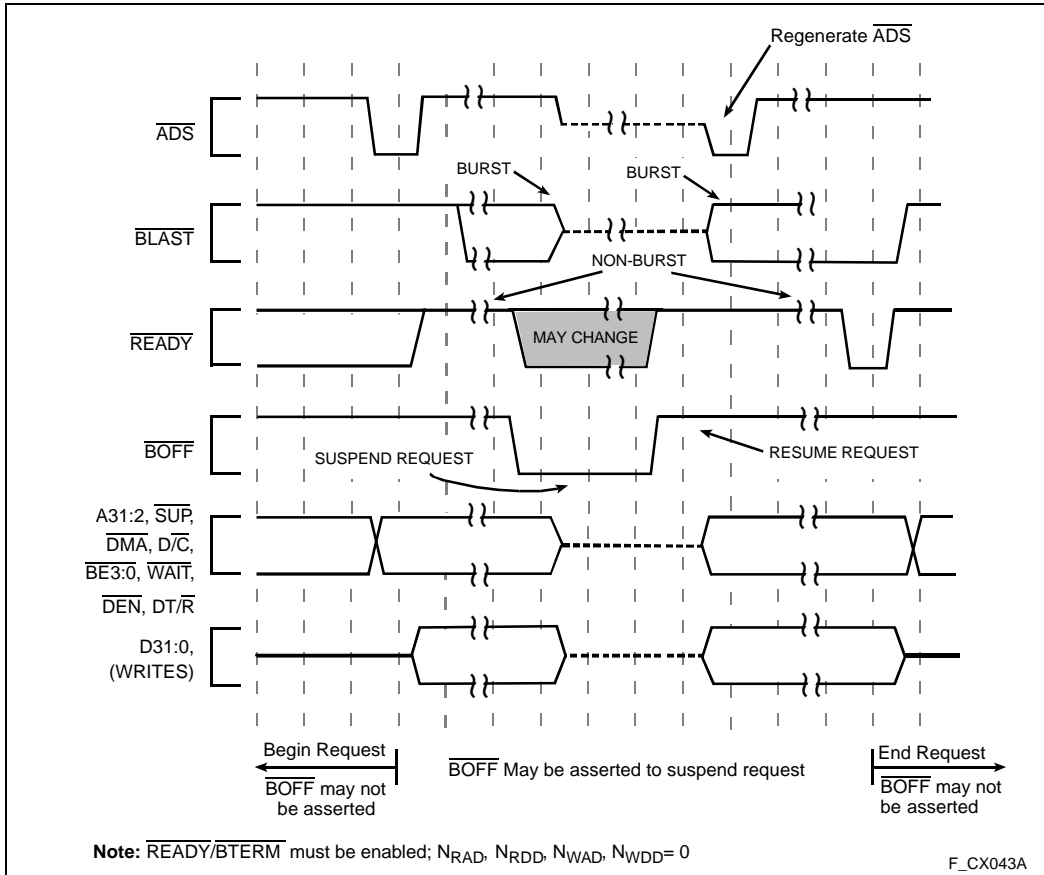


Figure 41.  $\overline{\text{BOFF}}$  Functional Timing

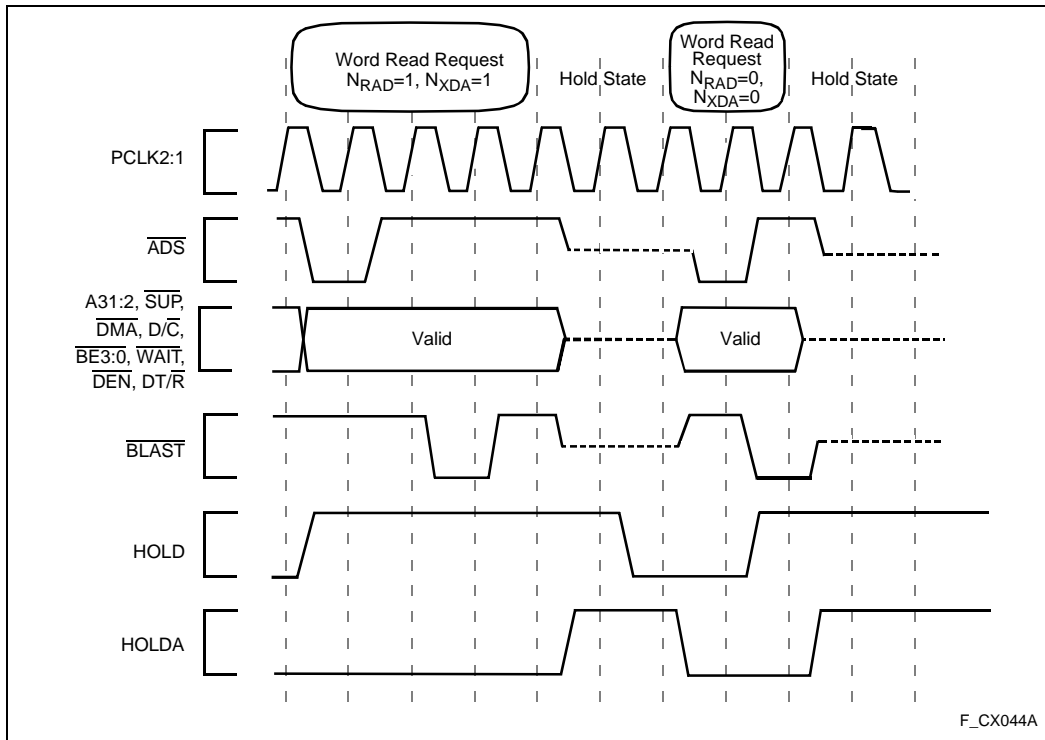


Figure 42. HOLD Functional Timing



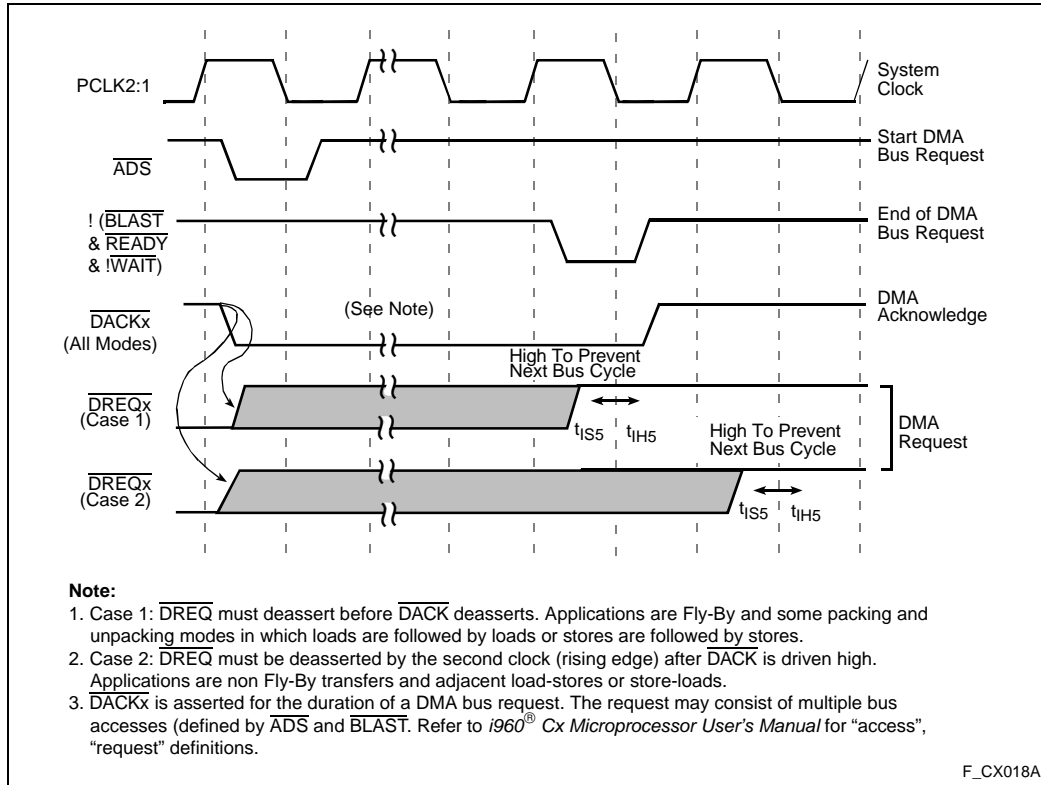


Figure 43.  $\overline{DREQ}$  and  $\overline{DACK}$  Functional Timing

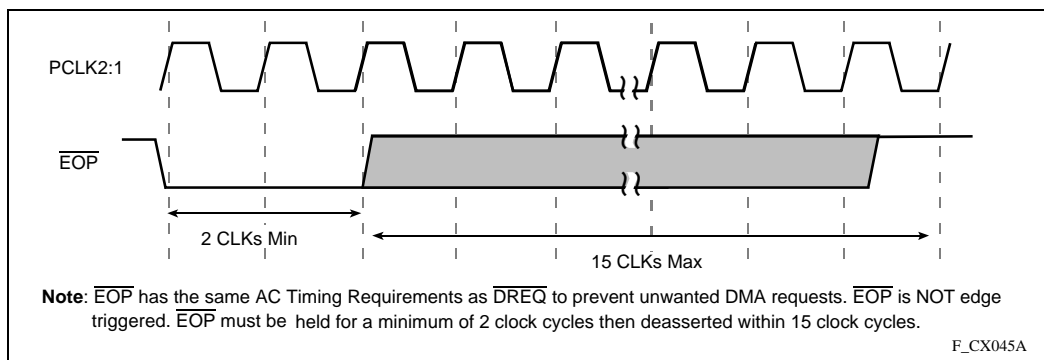


Figure 44.  $\overline{EOP}$  Functional Timing

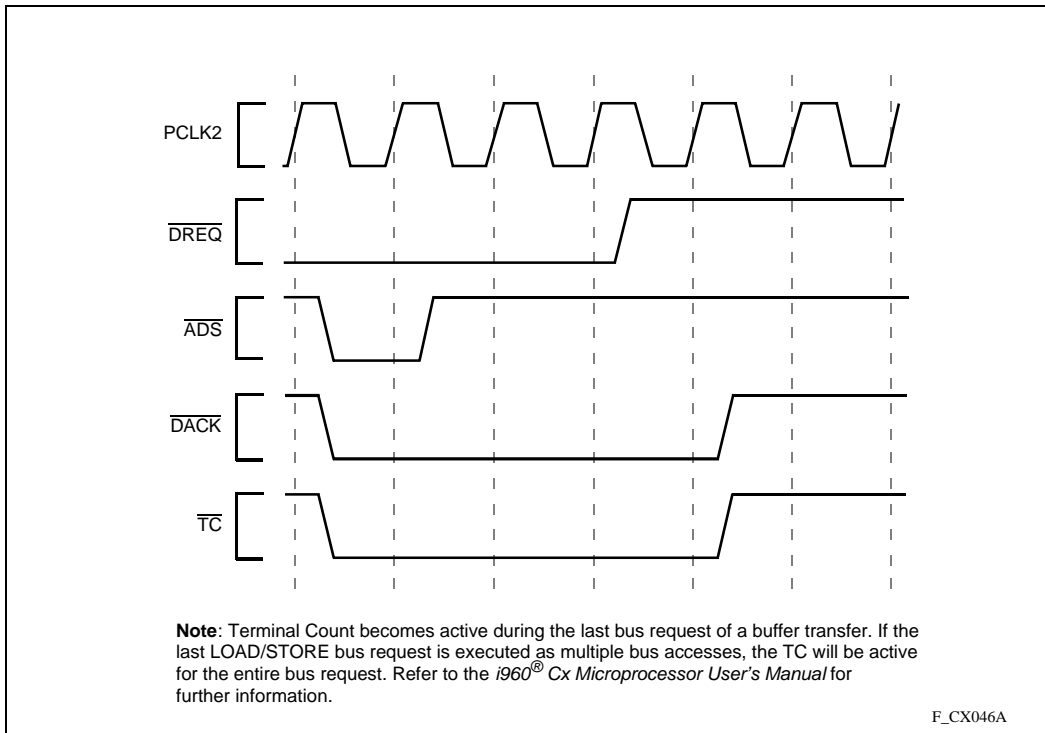


Figure 45. Terminal Count Functional Timing

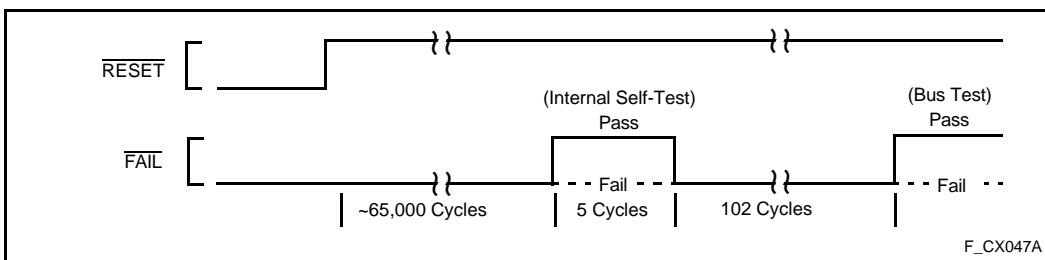


Figure 46. FAIL Functional Timing



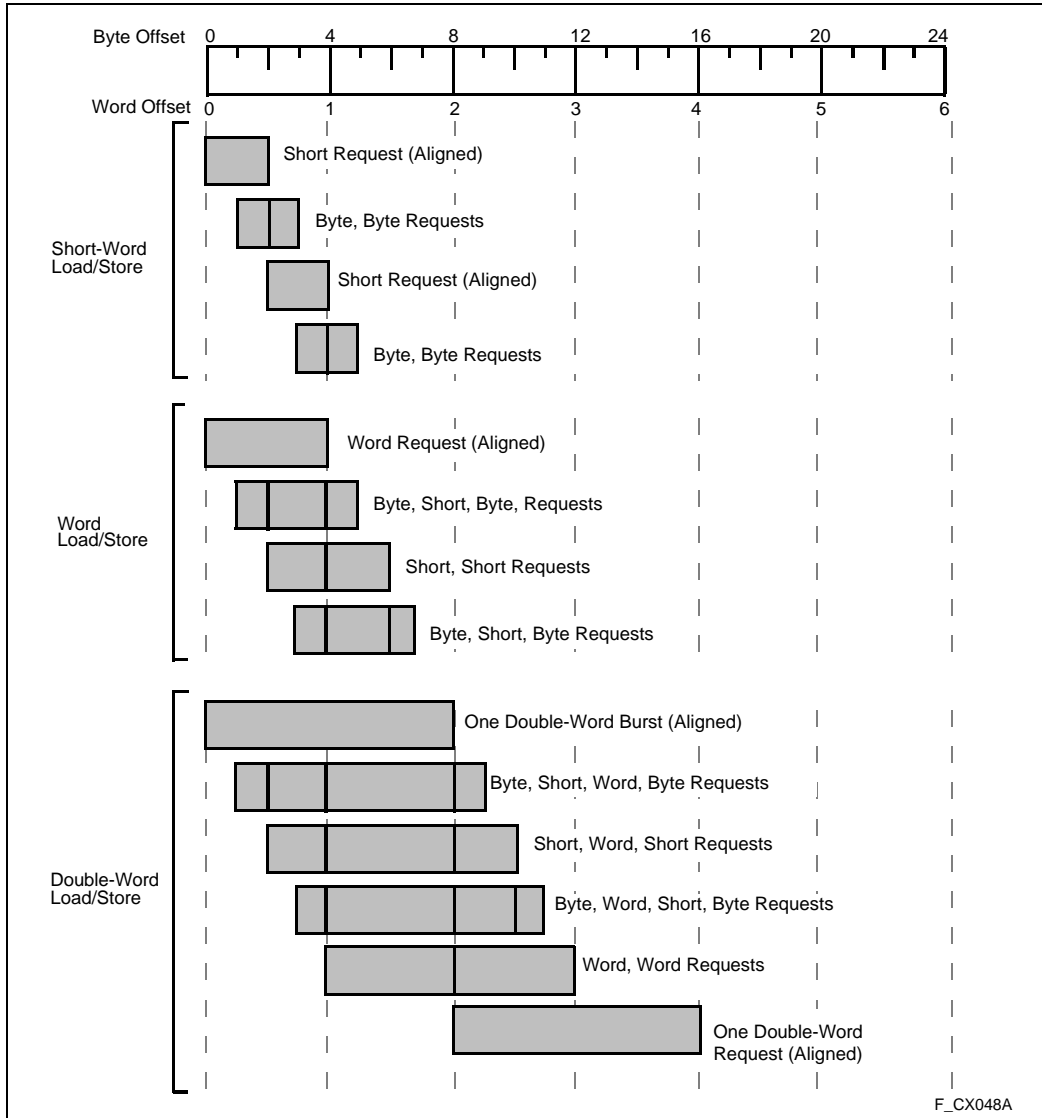


Figure 47. A Summary of Aligned and Unaligned Transfers for Little Endian Regions

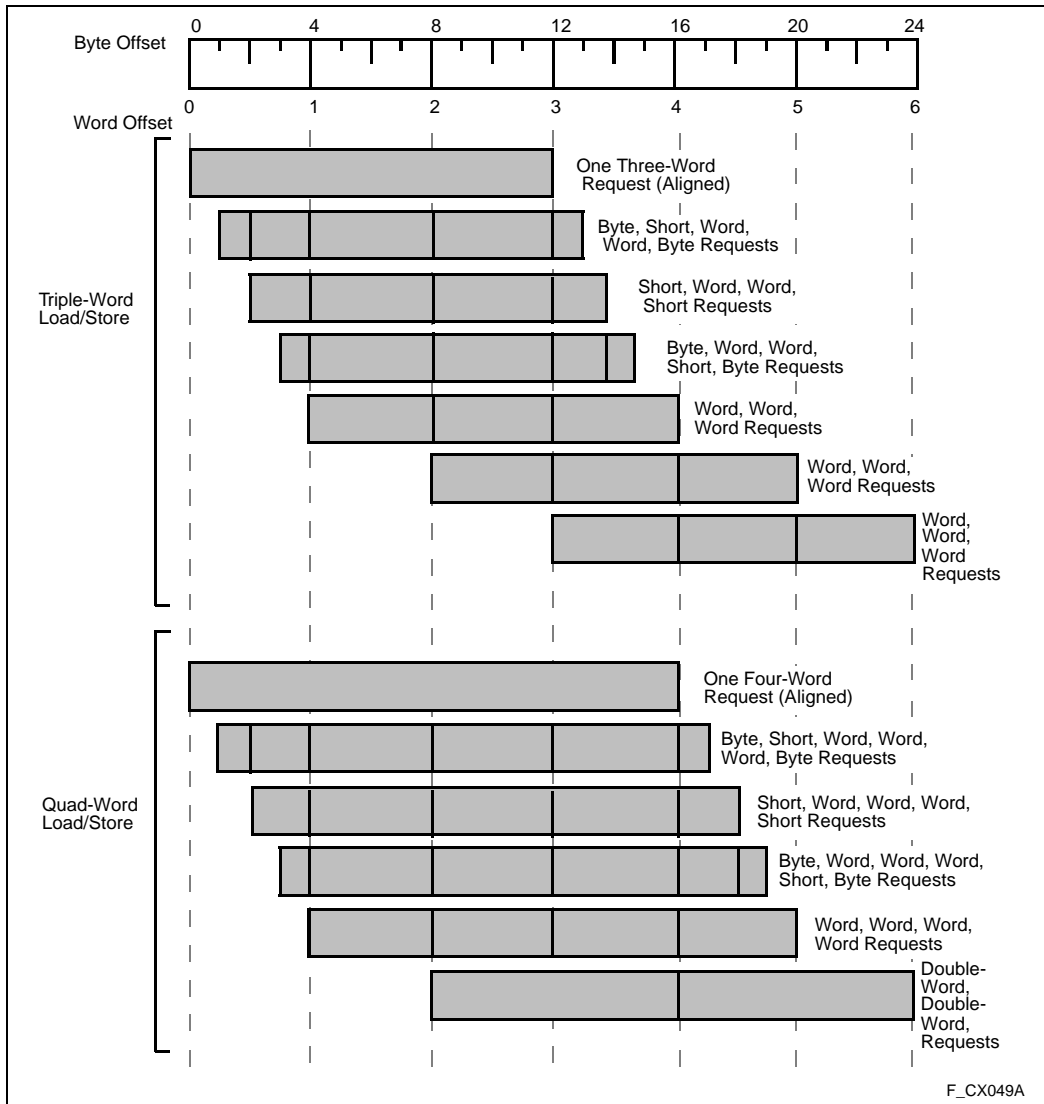


Figure 48. A Summary of Aligned and Unaligned Transfers for Little Endian Regions (Continued)



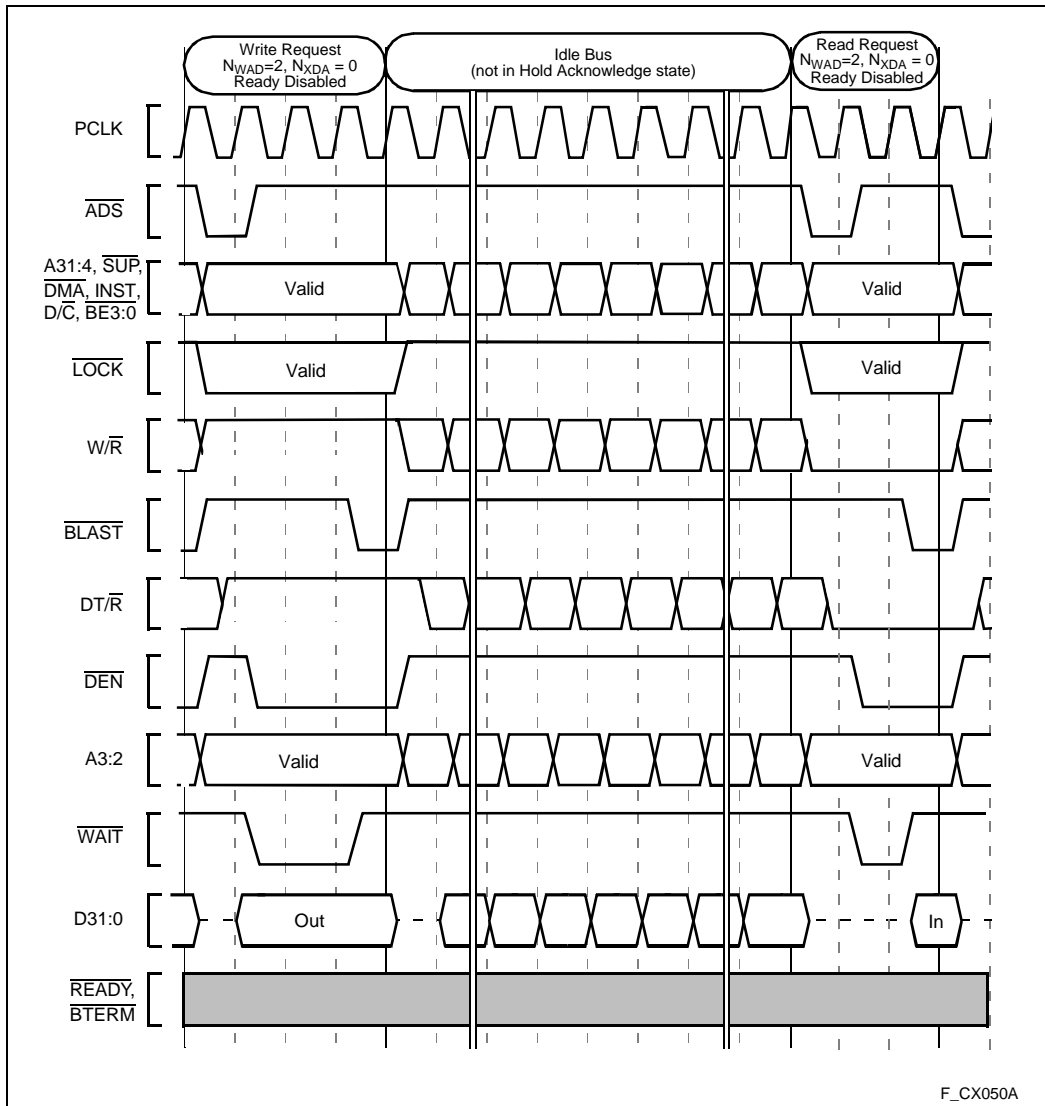


Figure 49. Idle Bus Operation

## 7.0 REVISION HISTORY

This data sheet supersedes data sheet 270727-005. Specification changes in the 80960CA data sheet are a result of design changes. The sections significantly changed since the previous revision are:

| Section  | Last Rev. | Description  |
|--|-----------|--|
| Table 11. 80960CA PGA Package Thermal Characteristics                              | -005      | Removed references and notes pertaining to $\theta_{J-CAP}$ and $\theta_{J-PIN}$ .   |
| Table 12. 80960CA PQFP package Thermal Characteristics                             | -005      | Removed references and notes pertaining to $\theta_{JL}$ and $\theta_{JB}$ .   |
| 3.3 80960CA Mechanical Data  | -005      | Removed section containing information on Package Dimensions. Moved section header to encompass Pinout tables and diagrams.  |
| 3.7 Suggested Sources for 80960CA Accessories                                      | -005      | Removed entire section containing information about 80960CA accessories.   |
| Tables 16, 17 and 18 80960CA AC Characteristics (33-, 25- and 16MHz, respectively) | -005      | $T_{TVEL}$ maximum deleted.<br>$T_{NHQX}$ and $T_{EHTV}$ minimums changed:<br>WAS:                    IS:<br>$T_{NHQX}$ $(N+1)*T-6$ $(N+1)*T-8$<br>$T_{EHTV}$ $T/2 - 6$ $T/2 - 7$  |
| All  | -005      | All timing diagrams and waveforms have been redrawn to conform to consistent format.<br>Data sheet formatting has been changed to conform to corporate standards. Specific formatting changes are not itemized in this revision history. |