



# MACH111 Family

## High-Density EE CMOS Programmable Logic

---

### DISTINCTIVE CHARACTERISTICS

- 44 Pins
- 32 Macrocells
- 5 ns  $t_{PD}$
- 182 MHz  $f_{CNT}$
- 38 Bus-Friendly™ Inputs
- Peripheral Component Interconnect (PCI) compliant
- Programmable power-down mode
- 32 Outputs
- 32 Flip-flops; 4 clock choices
- 2 "PAL26V16" Blocks
- Pin-compatible with MACH110, MACH210, MACH211, MACH215
- Improved routing over the MACH110

---

### GENERAL DESCRIPTION

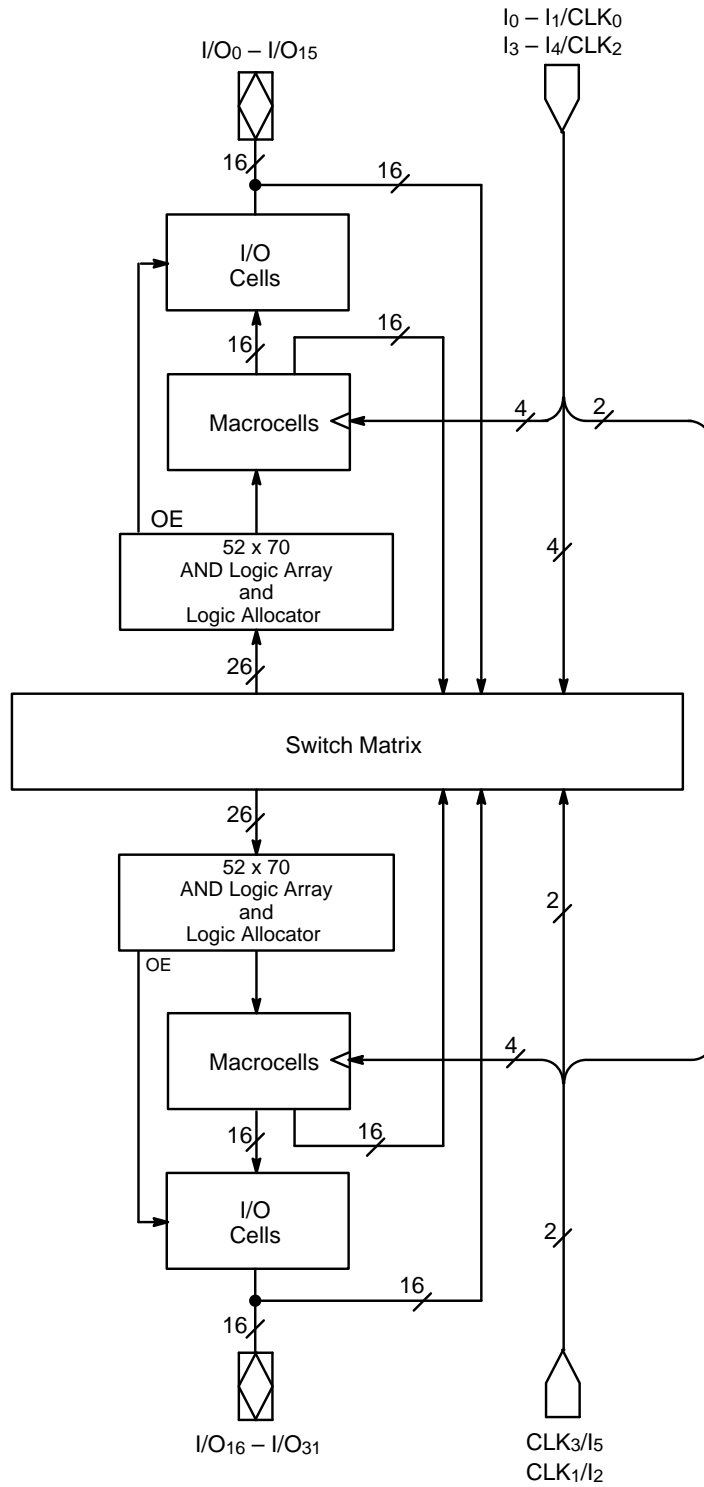
The MACH111 is a member of AMD's EE CMOS Performance Plus MACH® 1 family. This device has approximately three times the logic macrocell capability of the popular PAL22V10 without loss of speed.

The MACH111 consists of two PAL® blocks interconnected by a programmable switch matrix. The two PAL blocks are essentially "PAL26V16" structures complete with product-term arrays and programmable macrocells, which can be programmed as high speed or low power. The switch matrix connects the PAL blocks to each other and to all input pins, providing a high degree

of connectivity between the fully-connected PAL blocks. This allows designs to be placed and routed efficiently.

The MACH111 macrocell provides either registered or combinatorial outputs with programmable polarity. If a registered configuration is chosen, the register can be configured as D-type or T-type to help reduce the number of product terms. The register type decision can be made by the designer or by the software. All macrocells can be connected to an I/O cell. If a buried macrocell is desired, the internal feedback path from the macrocell can be used, which frees up the I/O pin for use as an input.

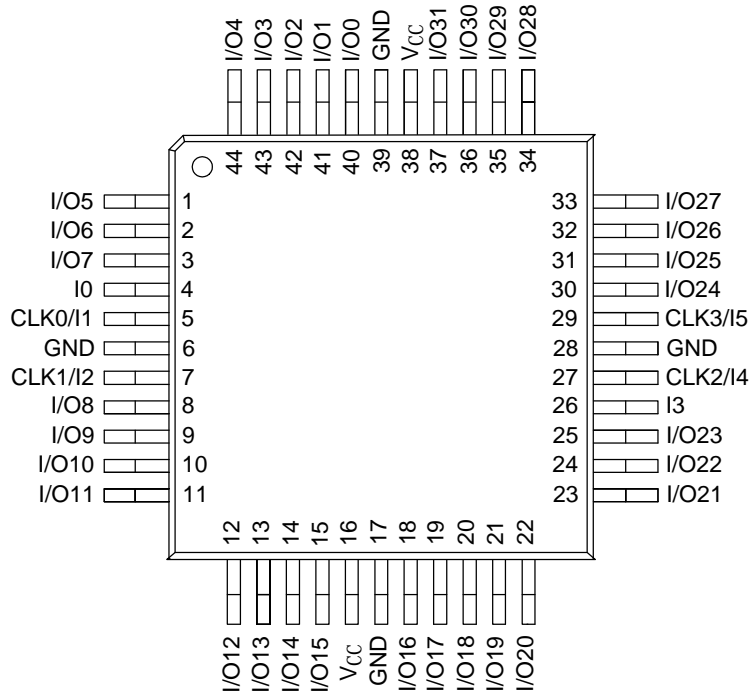
BLOCK DIAGRAM



20420A-1

**CONNECTION DIAGRAM**  
**Top View**

**TQFP**



**Note:**  
*Pin-compatible with MACH211 and MACH210A.*

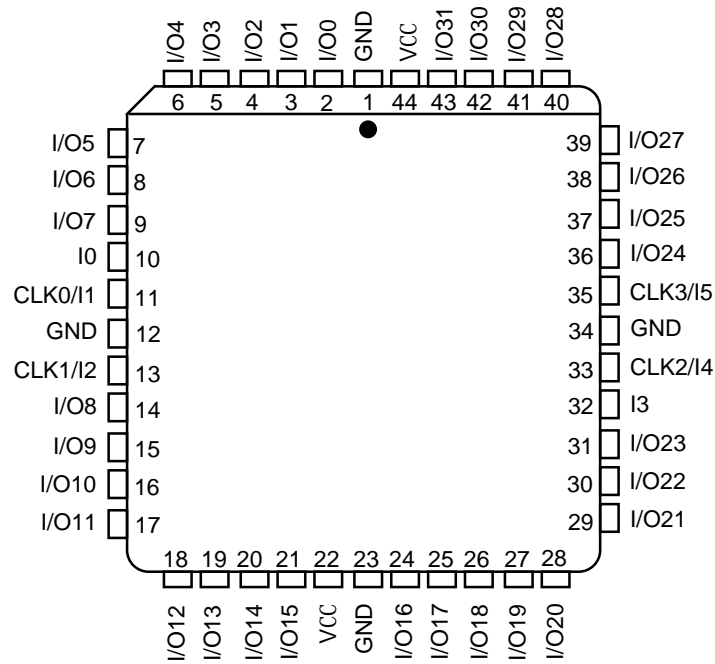
20420A-2

**PIN DESIGNATIONS**

- CLK/I = Clock or Input
- GND = Ground
- I = Input
- I/O = Input/Output
- V<sub>cc</sub> = Supply Voltage

**CONNECTION DIAGRAM**  
Top View

**PLCC**



**Note:** 20420A-3  
*Pin-compatible with MACH110, MACH210, MACH211, and MACH215.*

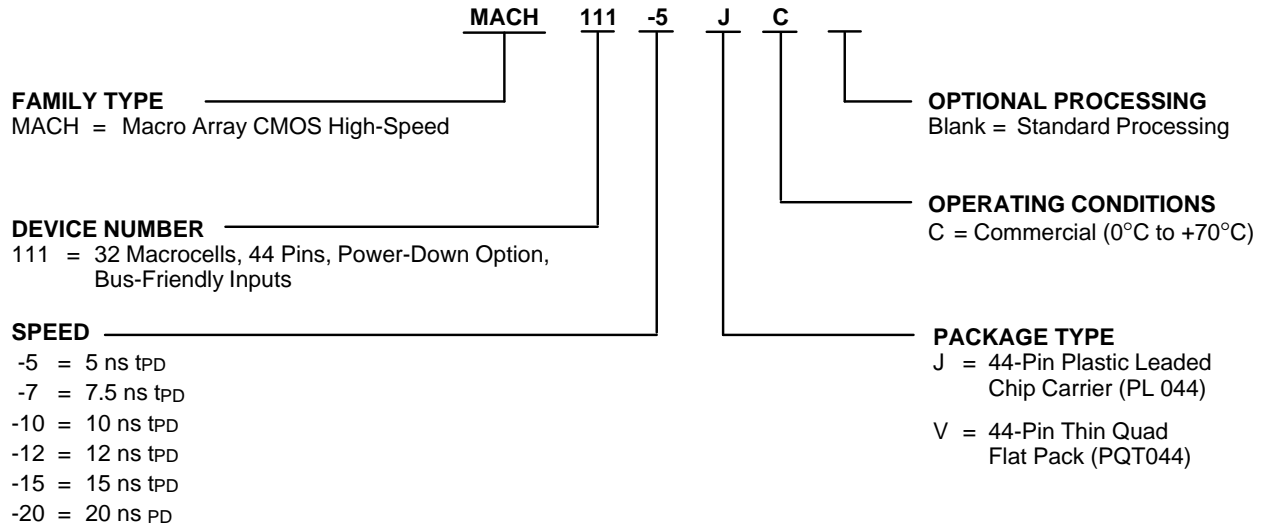
**PIN DESIGNATIONS**

- CLK/I = Clock or Input
- GND = Ground
- I = Input
- I/O = Input/Output
- Vcc = Supply Voltage

## ORDERING INFORMATION

### Commercial Products

AMD programmable logic products for commercial applications are available with several ordering options. The order number (Valid Combination) is formed by a combination of:



Valid Combinations	
MACH111-5	JC, VC
MACH111-7	
MACH111-10	
MACH111-12	
MACH111-15	
MACH111-20	

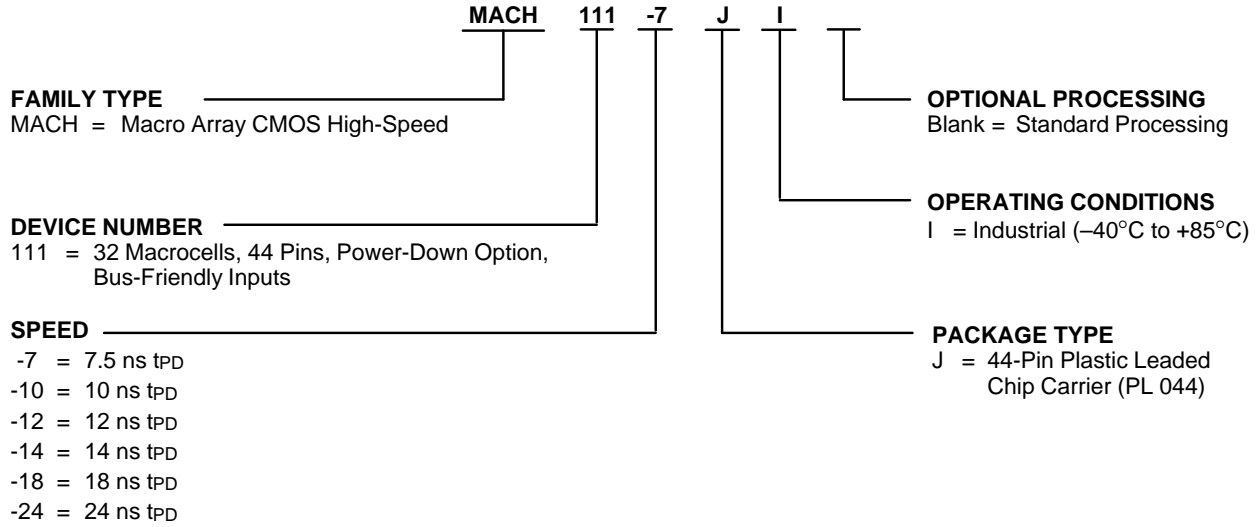
#### Valid Combinations

The Valid Combinations table lists configurations planned to be supported in volume for this device. Consult the local AMD sales office to confirm availability of specific valid combinations and to check on newly released combinations.

**ORDERING INFORMATION**

**Industrial Products**

AMD programmable logic products for industrial applications are available with several ordering options. The order number (Valid Combination) is formed by a combination of:



Valid Combinations	
MACH111-7	JC
MACH111-10	
MACH111-12	
MACH111-14	
MACH111-18	
MACH111-24	

**Valid Combinations**

The Valid Combinations table lists configurations planned to be supported in volume for this device. Consult the local AMD sales office to confirm availability of specific valid combinations and to check on newly released combinations.

## FUNCTIONAL DESCRIPTION

The MACH111 consists of two PAL blocks connected by a switch matrix. There are 32 I/O pins and 6 dedicated input pins feeding the switch matrix. These signals are distributed to the two PAL blocks for efficient design implementation. There are four clock pins that can also be used as dedicated inputs.

### The PAL Blocks

Each PAL block in the MACH111 (Figure 1) contains a 64-product-term logic array, a logic allocator, 16 macrocells and 16 I/O cells. The switch matrix feeds each PAL block with 26 inputs. This makes the PAL block look effectively like an independent “PAL26V16”.

There are four additional output enable product terms in each PAL block. For purposes of output enable, the 16 I/O cells are divided into 2 banks of 8 macrocells. Each bank is allocated two of the output enable product terms.

An asynchronous reset product term and an asynchronous preset product term are provided for flip-flop initialization. All flip-flops within the PAL block are initialized together.

### The Switch Matrix

The MACH111 switch matrix is fed by the inputs and feedback signals from the PAL blocks. Each PAL block provides 16 internal feedback signals and 16 I/O feedback signals. The switch matrix distributes these signals back to the PAL blocks in an efficient manner that also provides for high performance. The design software automatically configures the switch matrix when fitting a design into the device.

### The Product-Term Array

The MACH111 product-term array consists of 64 product terms for logic use, and 6 special-purpose product terms. Four of the special-purpose product terms provide programmable output enable, one provides asynchronous reset, and one provides

asynchronous preset. Two of the output enable product terms are used for the first eight I/O cells; the other two control the last eight macrocells.

### The Logic Allocator

The logic allocator in the MACH111 takes the 64 logic product terms and allocates them to the 16 macrocells as needed. Each macrocell can be driven by up to 12 product terms. The design software automatically configures the logic allocator when fitting the design into the device.

Table 1 illustrates which product term clusters are available to each macrocell within a PAL block. Refer to Figure 1 for cluster and macrocell numbers.

**Table 1. Logic Allocation**

Output Macrocell	Available Clusters
M <sub>0</sub>	C <sub>0</sub> , C <sub>1</sub>
M <sub>1</sub>	C <sub>0</sub> , C <sub>1</sub> , C <sub>2</sub>
M <sub>2</sub>	C <sub>1</sub> , C <sub>2</sub> , C <sub>3</sub>
M <sub>3</sub>	C <sub>2</sub> , C <sub>3</sub> , C <sub>4</sub>
M <sub>4</sub>	C <sub>3</sub> , C <sub>4</sub> , C <sub>5</sub>
M <sub>5</sub>	C <sub>4</sub> , C <sub>5</sub> , C <sub>6</sub>
M <sub>6</sub>	C <sub>5</sub> , C <sub>6</sub> , C <sub>7</sub>
M <sub>7</sub>	C <sub>6</sub> , C <sub>7</sub>
M <sub>8</sub>	C <sub>8</sub> , C <sub>9</sub>
M <sub>9</sub>	C <sub>8</sub> , C <sub>9</sub> , C <sub>10</sub>
M <sub>10</sub>	C <sub>9</sub> , C <sub>10</sub> , C <sub>11</sub>
M <sub>11</sub>	C <sub>10</sub> , C <sub>11</sub> , C <sub>12</sub>
M <sub>12</sub>	C <sub>11</sub> , C <sub>12</sub> , C <sub>13</sub>
M <sub>13</sub>	C <sub>12</sub> , C <sub>13</sub> , C <sub>14</sub>
M <sub>14</sub>	C <sub>13</sub> , C <sub>14</sub> , C <sub>15</sub>
M <sub>15</sub>	C <sub>14</sub> , C <sub>15</sub>

## The Macrocell

The MACH111 macrocells can be configured as either registered or combinatorial, with programmable polarity. The macrocell provides internal feedback whether configured as registered or combinatorial. The flip-flops can be configured as D-type or T-type, allowing for product-term optimization.

The flip-flops can individually select one of four clock pins, which are also available as data inputs. The registers are clocked on the LOW-to-HIGH transition of the clock signal. The flip-flops can also be asynchronously initialized with the common asynchronous reset and preset product terms.

## Power-Down Mode

The MACH111 features a programmable low-power mode in which individual signal paths can be programmed as low power. These low-power speed paths will be slightly slower than the non-low-power paths. This feature allows speed critical paths to run at maximum frequency while the rest of the paths operate in the low-power mode, resulting in power savings of up to 50%.

## The I/O Cell

The I/O cell in the MACH111 consists of a three-state output buffer. The three-state buffer can be configured in one of three ways: always enabled, always disabled,

or controlled by a product term. If product term control is chosen, one of two product terms may be used to provide the control. The two product terms that are available are common to eight I/O cells. Within each PAL block, two product terms are available for selection by the first eight three-state outputs; two other product terms are available for selection by the last eight three-state outputs.

## Bus-Friendly Inputs and I/Os

The MACH111 inputs and I/Os include two inverters in series which loop back to the input. This double inversion reinforces the state of the input and pulls the voltage away from the input threshold voltage. Unlike a pull-up, this configuration cannot cause contention on a bus. For an illustration of this configuration, please turn to the input and output equivalent schematics at the end of this data book.

## PCI Compliance

The MACH111-5/7/10/12 is fully compliant with the *PCI Local Bus Specification* published by the PCI Special Interest Group. The MACH111-5/7/10/12's predictable timing ensures compliance with the PCI AC specifications independent of the design. On the other hand, in CPLD and FPGA architectures without predictable timing, PCI compliance is dependent upon routing and product term distribution.



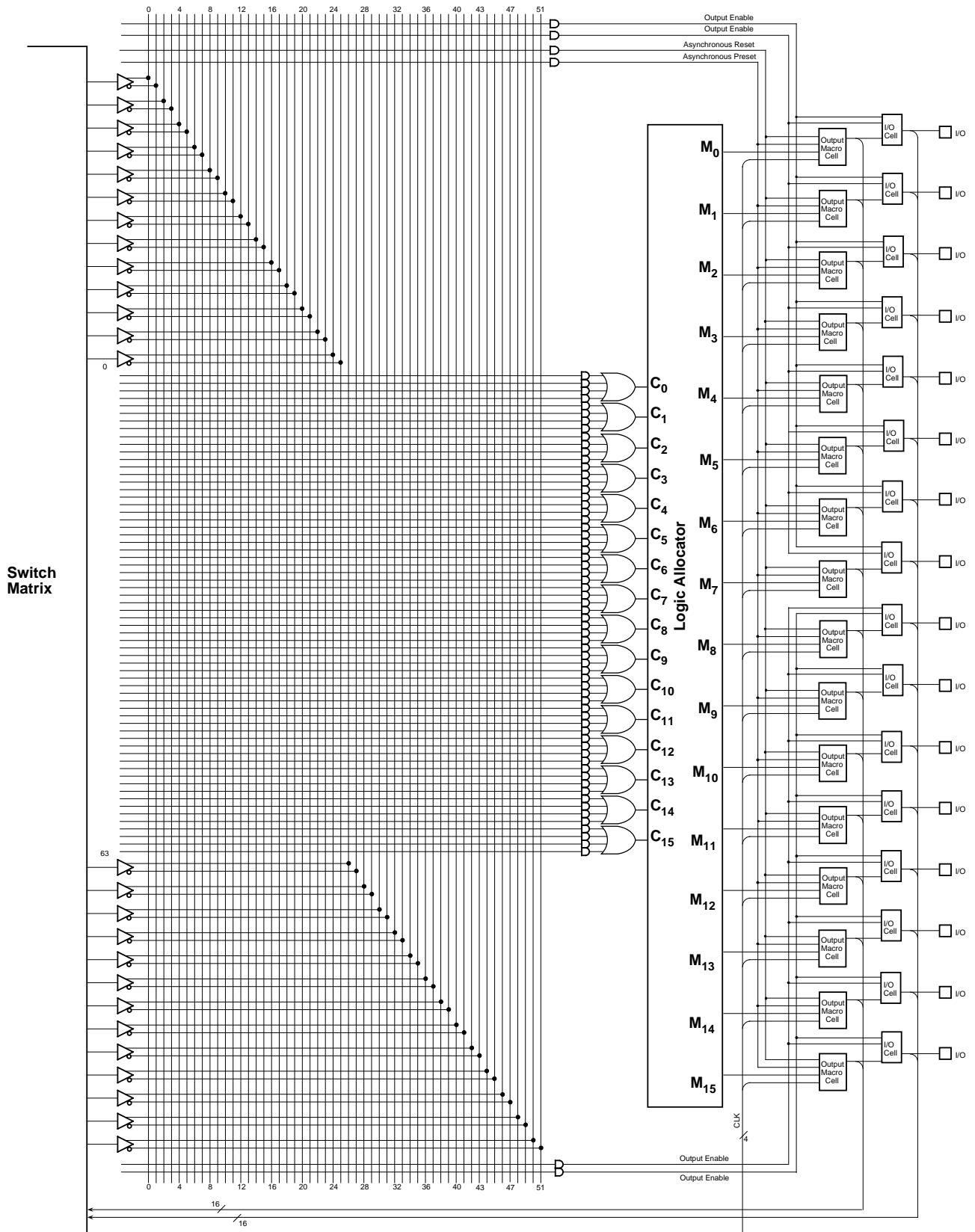


Figure 1. MACH111 PAL Block

20420A-4

**ABSOLUTE MAXIMUM RATINGS**

Storage Temperature . . . . . -65°C to +150°C  
 Ambient Temperature  
 With Power Applied . . . . . -55°C to +125°C  
 Supply Voltage with  
 Respect to Ground . . . . . -0.5 V to +7.0 V  
 DC Input Voltage . . . . . -0.5 V to V<sub>CC</sub> + 0.5 V  
 DC Output or I/O  
 Pin Voltage . . . . . -0.5 V to V<sub>CC</sub> + 0.5 V  
 Static Discharge Voltage . . . . . 2001 V  
 Latchup Current  
 (T<sub>A</sub> = 0°C to 70°C) . . . . . 200 mA

*Stresses above those listed under Absolute Maximum Ratings may cause permanent device failure. Functionality at or above these limits is not implied. Exposure to Absolute Maximum Ratings for extended periods may affect device reliability. Programming conditions may differ.*

**OPERATING RANGES**

**Commercial (C) Devices**

Ambient Temperature (T<sub>A</sub>)  
 Operating in Free Air . . . . . 0°C to +70°C  
 Supply Voltage (V<sub>CC</sub>)  
 with Respect to Ground . . . . . +4.75 V to +5.25 V

*Operating ranges define those limits between which the functionality of the device is guaranteed.*

**DC CHARACTERISTICS over COMMERCIAL operating ranges unless otherwise specified**

Parameter Symbol	Parameter Description	Test Conditions	Min	Typ	Max	Unit
V <sub>OH</sub>	Output HIGH Voltage	I <sub>OH</sub> = -3.2 mA, V <sub>CC</sub> = Min V <sub>IN</sub> = V <sub>IH</sub> or V <sub>IL</sub>	2.4			V
V <sub>OL</sub>	Output LOW Voltage	I <sub>OL</sub> = 16 mA, V <sub>CC</sub> = Min V <sub>IN</sub> = V <sub>IH</sub> or V <sub>IL</sub>			0.5	V
V <sub>IH</sub>	Input HIGH Voltage	Guaranteed Input Logical HIGH Voltage for all Inputs (Note 1)	2.0			V
V <sub>IL</sub>	Input LOW Voltage	Guaranteed Input Logical LOW Voltage for all Inputs (Note 1)			0.8	V
I <sub>IH</sub>	Input HIGH Current	V <sub>IN</sub> = 5.25 V, V <sub>CC</sub> = Max (Note 2)			10	μA
I <sub>IL</sub>	Input LOW Current	V <sub>IN</sub> = 0 V, V <sub>CC</sub> = Max (Note 2)			-10	μA
I <sub>OZH</sub>	Off-State Output Leakage Current HIGH	V <sub>OUT</sub> = 5.25 V, V <sub>CC</sub> = Max V <sub>IN</sub> = V <sub>IH</sub> or V <sub>IL</sub> (Note 2)			10	μA
I <sub>OZL</sub>	Off-State Output Leakage Current LOW	V <sub>OUT</sub> = 0 V, V <sub>CC</sub> = Max V <sub>IN</sub> = V <sub>IH</sub> or V <sub>IL</sub> (Note 2)			-10	μA
I <sub>sc</sub>	Output Short-Circuit Current	V <sub>OUT</sub> = 0.5 V, V <sub>CC</sub> = Max (Note 3)	-30		-160	mA
I <sub>CC</sub>	Supply Current (Static)	V <sub>CC</sub> = 5 V, T <sub>A</sub> =25°C, f = 0 MHz (Note 4)		40		mA
	Supply Current (Active)	V <sub>CC</sub> = 5 V, T <sub>A</sub> =25°C, f = 1 MHz (Note 4)		45		mA

**Notes:**

1. These are absolute values with respect to device ground and all overshoots due to system and/or tester noise are included.
2. I/O pin leakage is the worst case of I<sub>IL</sub> and I<sub>OZL</sub> (or I<sub>IH</sub> and I<sub>OZH</sub>).
3. Not more than one output should be shorted at a time. Duration of the short-circuit should not exceed one second. V<sub>OUT</sub> = 0.5 V has been chosen to avoid test problems caused by tester ground degradation.
4. Measured with a 16-bit up/down counter program in low-power mode. This pattern is programmed in each PAL block and is capable of being enabled and reset.

## CAPACITANCE (Note 1)

Parameter Symbol	Parameter Description	Test Conditions		Typ	Unit
C <sub>IN</sub>	Input Capacitance	V <sub>IN</sub> = V <sub>CC</sub> - 0.5 V	V <sub>CC</sub> = 5.0 V, T <sub>A</sub> = 25°C f = 1 MHz	6	pF
C <sub>OUT</sub>	Output Capacitance	V <sub>OUT</sub> = 2.0 V		8	pF

## SWITCHING CHARACTERISTICS over COMMERCIAL operating ranges (Note 2)

Parameter Symbol	Parameter Description		-5		Unit	
			Min	Max		
t <sub>PD</sub>	Input, I/O, or Feedback to Combinatorial Output			5	ns	
t <sub>s</sub>	Setup Time from Input, I/O, or Feedback to Clock		D-type	3.5	ns	
			T-type	4	ns	
t <sub>H</sub>	Hold Time		0		ns	
t <sub>CO</sub>	Clock to Output			3.5	ns	
t <sub>WL</sub>	Clock Width		LOW	2.5	ns	
t <sub>WH</sub>			HIGH	2.5	ns	
f <sub>MAX</sub>	Maximum Frequency (Note 1)	External Feedback	1/(t <sub>S</sub> + t <sub>CO</sub> )	D-type	143	MHz
		Internal Feedback (f <sub>CNT</sub> )		T-type	133	MHz
				D-type	182	MHz
		No Feedback	1/(t <sub>WL</sub> + t <sub>WH</sub> )	T-type	167	MHz
				200	MHz	
t <sub>AR</sub>	Asynchronous Reset to Registered Output			7.5	ns	
t <sub>ARW</sub>	Asynchronous Reset Width (Note 1)		4.5		ns	
t <sub>ARR</sub>	Asynchronous Reset Recovery Time (Note 1)		4.5		ns	
t <sub>AP</sub>	Asynchronous Preset to Registered Output			7.5	ns	
t <sub>APW</sub>	Asynchronous Preset Width (Note 1)		4.5		ns	
t <sub>APR</sub>	Asynchronous Preset Recovery Time (Note 1)		4.5		ns	
t <sub>EA</sub>	Input, I/O, or Feedback to Output Enable			7.5	ns	
t <sub>ER</sub>	Input, I/O, or Feedback to Output Disable			7.5	ns	
t <sub>LP</sub>	t <sub>PD</sub> Increase for Powered-Down Macrocell (Note 3)			10	ns	
t <sub>LPS</sub>	t <sub>S</sub> Increase for Powered-Down Macrocell (Note 3)			7	ns	
t <sub>LPCO</sub>	t <sub>CO</sub> Increase for Powered-Down Macrocell (Note 3)			3	ns	
t <sub>LPEA</sub>	t <sub>EA</sub> Increase for Powered-Down Macrocell (Note 3)			10	ns	

### Notes:

1. These parameters are not 100% tested, but are evaluated at initial characterization and at any time the design is modified where capacitance may be affected.
2. See Switching Test Conditions.
3. If a signal is powered down, this parameter must be added to its respective high-speed parameter.

## ABSOLUTE MAXIMUM RATINGS

Storage Temperature	−65°C to +150°C
Ambient Temperature With Power Applied	−55°C to +125°C
Supply Voltage with Respect to Ground	−0.5 V to +7.0 V
DC Input Voltage	−0.5 V to V <sub>CC</sub> + 0.5 V
DC Output or I/O Pin Voltage	−0.5 V to V <sub>CC</sub> + 0.5 V
Static Discharge Voltage	2001 V
Latchup Current (T <sub>A</sub> = 0°C to 70°C)	200 mA

Stresses above those listed under Absolute Maximum Ratings may cause permanent device failure. Functionality at or above these limits is not implied. Exposure to Absolute Maximum Ratings for extended periods may affect device reliability. Programming conditions may differ.

## OPERATING RANGES

### Commercial (C) Devices

Ambient Temperature (T <sub>A</sub> ) Operating in Free Air	0°C to +70°C
Supply Voltage (V <sub>CC</sub> ) with Respect to Ground	+4.75 V to +5.25 V

Operating ranges define those limits between which the functionality of the device is guaranteed.

## DC CHARACTERISTICS over COMMERCIAL operating ranges unless otherwise specified

Parameter Symbol	Parameter Description	Test Conditions	Min	Typ	Max	Unit
V <sub>OH</sub>	Output HIGH Voltage	I <sub>OH</sub> = −3.2 mA, V <sub>CC</sub> = Min V <sub>IN</sub> = V <sub>IH</sub> or V <sub>IL</sub>	2.4			V
V <sub>OL</sub>	Output LOW Voltage	I <sub>OL</sub> = 16 mA, V <sub>CC</sub> = Min V <sub>IN</sub> = V <sub>IH</sub> or V <sub>IL</sub>			0.5	V
V <sub>IH</sub>	Input HIGH Voltage	Guaranteed Input Logical HIGH Voltage for all Inputs (Note 1)	2.0			V
V <sub>IL</sub>	Input LOW Voltage	Guaranteed Input Logical LOW Voltage for all Inputs (Note 1)			0.8	V
I <sub>IH</sub>	Input HIGH Current	V <sub>IN</sub> = 5.25 V, V <sub>CC</sub> = Max (Note 2)			10	μA
I <sub>IL</sub>	Input LOW Current	V <sub>IN</sub> = 0 V, V <sub>CC</sub> = Max (Note 2)			−10	μA
I <sub>OZH</sub>	Off-State Output Leakage Current HIGH	V <sub>OUT</sub> = 5.25 V, V <sub>CC</sub> = Max V <sub>IN</sub> = V <sub>IH</sub> or V <sub>IL</sub> (Note 2)			10	μA
I <sub>OZL</sub>	Off-State Output Leakage Current LOW	V <sub>OUT</sub> = 0 V, V <sub>CC</sub> = Max V <sub>IN</sub> = V <sub>IH</sub> or V <sub>IL</sub> (Note 2)			−10	μA
I <sub>SC</sub>	Output Short-Circuit Current	V <sub>OUT</sub> = 0.5 V, V <sub>CC</sub> = Max (Note 3)	−30		−160	mA
I <sub>CC</sub>	Supply Current (Static)	V <sub>CC</sub> = 5 V, T <sub>A</sub> = 25°C, f = 0 MHz (Note 4)	(Note 5)	90		mA
			(Note 6)	40		
	Supply Current (Active)	V <sub>CC</sub> = 5 V, T <sub>A</sub> = 25°C, f = 1 MHz (Note 4)	(Note 5)	95		mA
			(Note 6)	45		

### Notes:

- These are absolute values with respect to device ground and all overshoots due to system and/or tester noise are included.
- I/O pin leakage is the worst case of I<sub>IL</sub> and I<sub>OZL</sub> (or I<sub>IH</sub> and I<sub>OZH</sub>).
- Not more than one output should be shorted at a time. Duration of the short-circuit should not exceed one second. V<sub>OUT</sub> = 0.5 V has been chosen to avoid test problems caused by tester ground degradation.
- Measured with a 16-bit up/down counter program in low-power mode. This pattern is programmed in each PAL block and is capable of being enabled and reset.
- This specification corresponds to devices with topside mark A.
- This specification corresponds to devices with topside mark B.

**CAPACITANCE (Note 1)**

Parameter Symbol	Parameter Description	Test Conditions		Typ	Unit
C <sub>IN</sub>	Input Capacitance	V <sub>IN</sub> = V <sub>CC</sub> -0.5 V	V <sub>CC</sub> = 5.0 V, T <sub>A</sub> = 25°C f = 1 MHz	6	pF
C <sub>OUT</sub>	Output Capacitance	V <sub>OUT</sub> = 2.0 V		8	pF

**SWITCHING CHARACTERISTICS over COMMERCIAL operating ranges (Note 2)**

Parameter Symbol	Parameter Description		-7		-10		Unit	
			Min	Max	Min	Max		
t <sub>PD</sub>	Input, I/O, or Feedback to Combinatorial Output			7.5		10	ns	
t <sub>S</sub>	Setup Time from Input, I/O, or Feedback to Clock		D-type	5.5		6.5	ns	
			T-type	6.5		7.5	ns	
t <sub>H</sub>	Hold Time		0		0		ns	
t <sub>CO</sub>	Clock to Output			5		6	ns	
t <sub>WL</sub>	Clock Width		LOW	3		5	ns	
t <sub>WH</sub>			HIGH	3		5	ns	
f <sub>MAX</sub>	Maximum Frequency (Note 1)	External Feedback	1/(t <sub>S</sub> + t <sub>CO</sub> )	D-type	95		80	MHz
			T-type	87		74	MHz	
		Internal Feedback (f <sub>CNT</sub> )		D-type	133		100	MHz
				T-type	125		91	MHz
No Feedback	1/(t <sub>WL</sub> + t <sub>WH</sub> )	166.7		100		MHz		
t <sub>AR</sub>	Asynchronous Reset to Registered Output			9.5		11	ns	
t <sub>ARW</sub>	Asynchronous Reset Width (Note 1)		5		7.5		ns	
t <sub>ARR</sub>	Asynchronous Reset Recovery Time (Note 1)		5		7.5		ns	
t <sub>AP</sub>	Asynchronous Preset to Registered Output			9.5		11	ns	
t <sub>APW</sub>	Asynchronous Preset Width (Note 1)		5		7.5		ns	
t <sub>APR</sub>	Asynchronous Preset Recovery Time (Note 1)		5		7.5		ns	
t <sub>EA</sub>	Input, I/O, or Feedback to Output Enable			9.5		10	ns	
t <sub>ER</sub>	Input, I/O, or Feedback to Output Disable			9.5		10	ns	
t <sub>LP</sub>	t <sub>PD</sub> Increase for Powered-Down Macrocell (Note 3)			10		10	ns	
t <sub>LPS</sub>	t <sub>S</sub> Increase for Powered-Down Macrocell (Note 3)			7		7	ns	
t <sub>LPCO</sub>	t <sub>CO</sub> Increase for Powered-Down Macrocell (Note 3)			3		3	ns	
t <sub>LPEA</sub>	t <sub>EA</sub> Increase for Powered-Down Macrocell (Note 3)		10		10		ns	

**Notes:**

1. These parameters are not 100% tested, but are evaluated at initial characterization and at any time the design is modified where capacitance may be affected.
2. See Switching Test Conditions.
3. If a signal is powered down, this parameter must be added to its respective high-speed parameter.

## ABSOLUTE MAXIMUM RATINGS

Storage Temperature	−65°C to +150°C
Ambient Temperature	
With Power Applied	−55°C to +125°C
Supply Voltage with Respect to Ground	−0.5 V to +7.0 V
DC Input Voltage	−0.5 V to V <sub>CC</sub> + 0.5 V
DC Output or I/O Pin Voltage	−0.5 V to V <sub>CC</sub> + 0.5 V
Static Discharge Voltage	2001 V
Latchup Current (T <sub>A</sub> = 0°C to 70°C)	200 mA

Stresses above those listed under Absolute Maximum Ratings may cause permanent device failure. Functionality at or above these limits is not implied. Exposure to Absolute Maximum Ratings for extended periods may affect device reliability. Programming conditions may differ.

## OPERATING RANGES

### Commercial (C) Devices

Ambient Temperature (T <sub>A</sub> )	
Operating in Free Air	0°C to +70°C
Supply Voltage (V <sub>CC</sub> )	
with Respect to Ground	+4.75 V to +5.25 V

Operating ranges define those limits between which the functionality of the device is guaranteed.

## DC CHARACTERISTICS over COMMERCIAL operating ranges unless otherwise specified

Parameter Symbol	Parameter Description	Test Conditions	Min	Typ	Max	Unit
V <sub>OH</sub>	Output HIGH Voltage	I <sub>OH</sub> = −3.2 mA, V <sub>CC</sub> = Min V <sub>IN</sub> = V <sub>IH</sub> or V <sub>IL</sub>	2.4			V
V <sub>OL</sub>	Output LOW Voltage	I <sub>OL</sub> = 16 mA, V <sub>CC</sub> = Min V <sub>IN</sub> = V <sub>IH</sub> or V <sub>IL</sub>			0.5	V
V <sub>IH</sub>	Input HIGH Voltage	Guaranteed Input Logical HIGH Voltage for all Inputs (Note 1)	2.0			V
V <sub>IL</sub>	Input LOW Voltage	Guaranteed Input Logical LOW Voltage for all Inputs (Note 1)			0.8	V
I <sub>IH</sub>	Input HIGH Current	V <sub>IN</sub> = 5.25 V, V <sub>CC</sub> = Max (Note 2)			10	μA
I <sub>IL</sub>	Input LOW Current	V <sub>IN</sub> = 0 V, V <sub>CC</sub> = Max (Note 2)			−10	μA
I <sub>OZH</sub>	Off-State Output Leakage Current HIGH	V <sub>OUT</sub> = 5.25 V, V <sub>CC</sub> = Max V <sub>IN</sub> = V <sub>IH</sub> or V <sub>IL</sub> (Note 2)			10	μA
I <sub>OZL</sub>	Off-State Output Leakage Current LOW	V <sub>OUT</sub> = 0 V, V <sub>CC</sub> = Max V <sub>IN</sub> = V <sub>IH</sub> or V <sub>IL</sub> (Note 2)			−10	μA
I <sub>sc</sub>	Output Short-Circuit Current	V <sub>OUT</sub> = 0.5 V, V <sub>CC</sub> = Max (Note 3)	−30		−160	mA
I <sub>CC</sub>	Supply Current (Typical)	V <sub>CC</sub> = 5 V, T <sub>A</sub> = 25°C, f = 0 MHz (Note 4)	(Note 5)	90		mA
			(Note 6)	40		
I <sub>CC</sub>	Supply Current (Typical)	V <sub>CC</sub> = 5 V, T <sub>A</sub> = 25°C, f = 1 MHz (Note 4)	(Note 5)	95		mA
			(Note 6)	45		

### Notes:

- These are absolute values with respect to device ground and all overshoots due to system and/or tester noise are included.
- I/O pin leakage is the worst case of I<sub>IL</sub> and I<sub>OZL</sub> (or I<sub>IH</sub> and I<sub>OZH</sub>).
- Not more than one output should be shorted at a time. Duration of the short-circuit should not exceed one second. V<sub>OUT</sub> = 0.5 V has been chosen to avoid test problems caused by tester ground degradation.
- Measured with a 16-bit up/down counter program in low power mode. This pattern is programmed in each PAL block and is capable of being enabled and reset.
- This specification corresponds to devices with topside mark A.
- This specification corresponds to devices with topside mark B.

**CAPACITANCE (Note 1)**

Parameter Symbol	Parameter Description	Test Conditions		Typ	Unit
C <sub>IN</sub>	Input Capacitance	V <sub>IN</sub> = V <sub>CC</sub> - 0.5 V	V <sub>CC</sub> = 5.0 V, T <sub>A</sub> = 25°C f = 1 MHz	6	pF
C <sub>OUT</sub>	Output Capacitance	V <sub>OUT</sub> = 2.0 V		8	pF

**SWITCHING CHARACTERISTICS over COMMERCIAL operating ranges (Note 2)**

Parameter Symbol	Parameter Description		-12		-15		-20		Unit	
			Min	Max	Min	Max	Min	Max		
t <sub>PD</sub>	Input, I/O, or Feedback to Combinatorial Output			12		15		20	ns	
t <sub>s</sub>	Setup Time from Input, I/O, or Feedback to Clock		D-type	7		10		13	ns	
			T-type	8		11		14	ns	
t <sub>H</sub>	Hold Time		0		0		0		ns	
t <sub>CO</sub>	Clock to Output			8		10		12	ns	
t <sub>WL</sub>	Clock Width		LOW	6		6		8	ns	
t <sub>WH</sub>			HIGH	6		6		8	ns	
f <sub>MAX</sub>	Maximum Frequency (Note 1)	External Feedback	1/(t <sub>s</sub> + t <sub>CO</sub> )	D-type	66.7		50		40	MHz
			T-type	62.5		47.6		38.5	MHz	
		Internal Feedback (f <sub>CNT</sub> )	D-type	76.9		66.6		47.6	MHz	
			T-type	71.4		55.5		43.5	MHz	
No Feedback	1/(t <sub>WL</sub> + t <sub>WH</sub> )	83.3		83.3		62.5	MHz			
t <sub>AR</sub>	Asynchronous Reset to Registered Output			16		20		25	ns	
t <sub>ARW</sub>	Asynchronous Reset Width (Note 1)		12		15		20		ns	
t <sub>ARR</sub>	Asynchronous Reset Recovery Time (Note 1)		8		10		15		ns	
t <sub>AP</sub>	Asynchronous Preset to Registered Output			16		20		25	ns	
t <sub>APW</sub>	Asynchronous Preset Width (Note 1)		12		15		20		ns	
t <sub>APR</sub>	Asynchronous Preset Recovery Time (Note 1)		8		10		15		ns	
t <sub>EA</sub>	Input, I/O, or Feedback to Output Enable			12		15		20	ns	
t <sub>ER</sub>	Input, I/O, or Feedback to Output Disable			12		15		20	ns	
t <sub>LP</sub>	t <sub>PD</sub> Increase for Powered-Down Macrocell (Note 3)			10		10		10	ns	
t <sub>LPS</sub>	t <sub>s</sub> Increase for Powered-Down Macrocell (Note 3)			7		7		7	ns	
t <sub>LPCO</sub>	t <sub>CO</sub> Increase for Powered-Down Macrocell (Note 3)			3		3		3	ns	
t <sub>LPEA</sub>	t <sub>EA</sub> Increase for Powered-Down Macrocell (Note 3)			10		10		10	ns	

**Notes:**

1. These parameters are not 100% tested, but are evaluated at initial characterization and at any time the design is modified where capacitance may be affected.
2. See Switching Test Conditions.
3. If a signal is powered down, this parameter must be added to its respective high-speed parameter.

## ABSOLUTE MAXIMUM RATINGS

Storage Temperature	−65°C to +150°C
Ambient Temperature With Power Applied	−55°C to +125°C
Supply Voltage with Respect to Ground	−0.5 V to +7.0 V
DC Input Voltage	−0.5 V to V <sub>CC</sub> + 0.5 V
DC Output or I/O Pin Voltage	−0.5 V to V <sub>CC</sub> + 0.5 V
Static Discharge Voltage	2001 V
Latchup Current (T <sub>A</sub> = −40°C to +85°C)	200 mA

Stresses above those listed under Absolute Maximum Ratings may cause permanent device failure. Functionality at or above these limits is not implied. Exposure to Absolute Maximum Ratings for extended periods may affect device reliability. Programming conditions may differ.

## OPERATING RANGES

### Industrial (I) Devices

Ambient Temperature (T <sub>A</sub> ) Operating in Free Air	−40°C to +85°C
Supply Voltage (V <sub>CC</sub> ) with Respect to Ground	+4.5 V to +5.5 V

Operating ranges define those limits between which the functionality of the device is guaranteed.

## DC CHARACTERISTICS over INDUSTRIAL operating ranges unless otherwise specified

Parameter Symbol	Parameter Description	Test Conditions	Min	Typ	Max	Unit
V <sub>OH</sub>	Output HIGH Voltage	I <sub>OH</sub> = −3.2 mA, V <sub>CC</sub> = Min V <sub>IN</sub> = V <sub>IH</sub> or V <sub>IL</sub>	2.4			V
V <sub>OL</sub>	Output LOW Voltage	I <sub>OL</sub> = 16 mA, V <sub>CC</sub> = Min V <sub>IN</sub> = V <sub>IH</sub> or V <sub>IL</sub>			0.5	V
V <sub>IH</sub>	Input HIGH Voltage	Guaranteed Input Logical HIGH Voltage for all Inputs (Note 1)	2.0			V
V <sub>IL</sub>	Input LOW Voltage	Guaranteed Input Logical LOW Voltage for all Inputs (Note 1)			0.8	V
I <sub>IH</sub>	Input HIGH Current	V <sub>IN</sub> = 5.25 V, V <sub>CC</sub> = Max (Note 2)			10	μA
I <sub>IL</sub>	Input LOW Current	V <sub>IN</sub> = 0 V, V <sub>CC</sub> = Max (Note 2)			−10	μA
I <sub>OZH</sub>	Off-State Output Leakage Current HIGH	V <sub>OUT</sub> = 5.25 V, V <sub>CC</sub> = Max V <sub>IN</sub> = V <sub>IH</sub> or V <sub>IL</sub> (Note 2)			10	μA
I <sub>OZL</sub>	Off-State Output Leakage Current LOW	V <sub>OUT</sub> = 0 V, V <sub>CC</sub> = Max V <sub>IN</sub> = V <sub>IH</sub> or V <sub>IL</sub> (Note 2)			−10	μA
I <sub>SC</sub>	Output Short-Circuit Current	V <sub>OUT</sub> = 0.5 V, V <sub>CC</sub> = Max (Note 3)	−30		−160	mA
I <sub>CC</sub>	Supply Current (Static)	V <sub>CC</sub> = 5 V, T <sub>A</sub> = 25°C, f = 0 MHz (Note 4)	(Note 5)	90		mA
			(Note 6)	40		
	Supply Current (Active)	V <sub>CC</sub> = 5 V, T <sub>A</sub> = 25°C, f = 1 MHz (Note 4)	(Note 5)	95		mA
			(Note 6)	45		

### Notes:

- These are absolute values with respect to device ground and all overshoots due to system and/or tester noise are included.
- I/O pin leakage is the worst case of I<sub>IL</sub> and I<sub>OZL</sub> (or I<sub>IH</sub> and I<sub>OZH</sub>).
- Not more than one output should be shorted at a time. Duration of the short-circuit should not exceed one second. V<sub>OUT</sub> = 0.5 V has been chosen to avoid test problems caused by tester ground degradation.
- Measured with a 16-bit up/down counter program in low-power mode. This pattern is programmed in each PAL block and is capable of being enabled and reset.
- This specification corresponds to devices with topside mark A.
- This specification corresponds to devices with topside mark B.



**CAPACITANCE (Note 1)**

Parameter Symbol	Parameter Description	Test Conditions		Typ	Unit
C <sub>IN</sub>	Input Capacitance	V <sub>IN</sub> = V <sub>CC</sub> - 0.5 V	V <sub>CC</sub> = 5.0 V, T <sub>A</sub> = 25°C f = 1 MHz	6	pF
C <sub>OUT</sub>	Output Capacitance	V <sub>OUT</sub> = 2.0 V		8	pF

**SWITCHING CHARACTERISTICS over INDUSTRIAL operating ranges (Note 2)**

Parameter Symbol	Parameter Description		-7		-10		Unit	
			Min	Max	Min	Max		
t <sub>PD</sub>	Input, I/O, or Feedback to Combinatorial Output			7.5		10	ns	
t <sub>S</sub>	Setup Time from Input, I/O, or Feedback to Clock		D-type	5.5		6.5	ns	
			T-type	6.5		7.5	ns	
t <sub>H</sub>	Hold Time		0		0		ns	
t <sub>CO</sub>	Clock to Output			5		6	ns	
t <sub>WL</sub>	Clock Width		LOW	3		5	ns	
t <sub>WH</sub>			HIGH	3		5	ns	
f <sub>MAX</sub>	Maximum Frequency (Note 1)	External Feedback	1/(t <sub>S</sub> + t <sub>CO</sub> )	D-type	95		80	MHz
			T-type	87		74	MHz	
		Internal Feedback (f <sub>CNT</sub> )		D-type	133		100	MHz
				T-type	125		91	MHz
No Feedback	1/(t <sub>WL</sub> + t <sub>WH</sub> )	166.7		100		MHz		
t <sub>AR</sub>	Asynchronous Reset to Registered Output			9.5		11	ns	
t <sub>ARW</sub>	Asynchronous Reset Width (Note 1)		5		7.5		ns	
t <sub>ARR</sub>	Asynchronous Reset Recovery Time (Note 1)		5		7.5		ns	
t <sub>AP</sub>	Asynchronous Preset to Registered Output			9.5		11	ns	
t <sub>APW</sub>	Asynchronous Preset Width (Note 1)		5		7.5		ns	
t <sub>APR</sub>	Asynchronous Preset Recovery Time (Note 1)		5		7.5		ns	
t <sub>EA</sub>	Input, I/O, or Feedback to Output Enable			9.5		10	ns	
t <sub>ER</sub>	Input, I/O, or Feedback to Output Disable			9.5		10	ns	
t <sub>LP</sub>	t <sub>PD</sub> Increase for Powered-Down Macrocell (Note 3)			10		10	ns	
t <sub>LPS</sub>	t <sub>S</sub> Increase for Powered-Down Macrocell (Note 3)			7		7	ns	
t <sub>LPCO</sub>	t <sub>CO</sub> Increase for Powered-Down Macrocell (Note 3)			3		3	ns	
t <sub>LPEA</sub>	t <sub>EA</sub> Increase for Powered-Down Macrocell (Note 3)		10		10		ns	

**Notes:**

1. These parameters are not 100% tested, but are evaluated at initial characterization and at any time the design is modified where capacitance may be affected.
2. See Switching Test Conditions.
3. If a signal is powered down, this parameter must be added to its respective high-speed parameter.

## ABSOLUTE MAXIMUM RATINGS

Storage Temperature	−65°C to +150°C
Ambient Temperature	
With Power Applied	−55°C to +125°C
Supply Voltage with Respect to Ground	−0.5 V to +7.0 V
DC Input Voltage	−0.5 V to V <sub>CC</sub> + 0.5 V
DC Output or I/O Pin Voltage	−0.5 V to V <sub>CC</sub> + 0.5 V
Static Discharge Voltage	2001 V
Latchup Current (T <sub>A</sub> = −40°C to +85°C)	200 mA

Stresses above those listed under Absolute Maximum Ratings may cause permanent device failure. Functionality at or above these limits is not implied. Exposure to Absolute Maximum Ratings for extended periods may affect device reliability. Programming conditions may differ.

## OPERATING RANGES

### Industrial (I) Devices

Ambient Temperature (T <sub>A</sub> )	
Operating in Free Air	−40°C to +85°C
Supply Voltage (V <sub>CC</sub> ) with Respect to Ground	+4.5 V to +5.5 V

Operating ranges define those limits between which the functionality of the device is guaranteed.

## DC CHARACTERISTICS over INDUSTRIAL operating ranges unless otherwise specified

Parameter Symbol	Parameter Description	Test Conditions	Min	Typ	Max	Unit
V <sub>OH</sub>	Output HIGH Voltage	I <sub>OH</sub> = −3.2 mA, V <sub>CC</sub> = Min V <sub>IN</sub> = V <sub>IH</sub> or V <sub>IL</sub>	2.4			V
V <sub>OL</sub>	Output LOW Voltage	I <sub>OL</sub> = 16 mA, V <sub>CC</sub> = Min V <sub>IN</sub> = V <sub>IH</sub> or V <sub>IL</sub>			0.5	V
V <sub>IH</sub>	Input HIGH Voltage	Guaranteed Input Logical HIGH Voltage for all Inputs (Note 1)	2.0			V
V <sub>IL</sub>	Input LOW Voltage	Guaranteed Input Logical LOW Voltage for all Inputs (Note 1)			0.8	V
I <sub>IH</sub>	Input HIGH Current	V <sub>IN</sub> = 5.25 V, V <sub>CC</sub> = Max (Note 2)			10	μA
I <sub>IL</sub>	Input LOW Current	V <sub>IN</sub> = 0 V, V <sub>CC</sub> = Max (Note 2)			−10	μA
I <sub>OZH</sub>	Off-State Output Leakage Current HIGH	V <sub>OUT</sub> = 5.25 V, V <sub>CC</sub> = Max V <sub>IN</sub> = V <sub>IH</sub> or V <sub>IL</sub> (Note 2)			10	μA
I <sub>OZL</sub>	Off-State Output Leakage Current LOW	V <sub>OUT</sub> = 0 V, V <sub>CC</sub> = Max V <sub>IN</sub> = V <sub>IH</sub> or V <sub>IL</sub> (Note 2)			−10	μA
I <sub>SC</sub>	Output Short-Circuit Current	V <sub>OUT</sub> = 0.5 V, V <sub>CC</sub> = Max (Note 3)	−30		−160	mA
I <sub>CC</sub>	Supply Current (Typical)	V <sub>CC</sub> = 5 V, T <sub>A</sub> = 25°C, f = 0 MHz (Note 4)	(Note 5)	90		mA
			(Note 6)	40		
	Supply Current (Typical)	V <sub>CC</sub> = 5 V, T <sub>A</sub> = 25°C, f = 1 MHz (Note 4)	(Note 5)	95		mA
			(Note 6)	45		

### Notes:

- These are absolute values with respect to device ground and all overshoots due to system and/or tester noise are included.
- I/O pin leakage is the worst case of I<sub>IL</sub> and I<sub>OZL</sub> (or I<sub>IH</sub> and I<sub>OZH</sub>).
- Not more than one output should be shorted at a time. Duration of the short-circuit should not exceed one second. V<sub>OUT</sub> = 0.5 V has been chosen to avoid test problems caused by tester ground degradation.
- Measured with a 16-bit up/down counter program in low power mode. This pattern is programmed in each PAL block and is capable of being enabled and reset.
- This specification corresponds to devices with topside mark A.
- This specification corresponds to devices with topside mark B.

## CAPACITANCE (Note 1)

Parameter Symbol	Parameter Description	Test Conditions		Typ	Unit
C <sub>IN</sub>	Input Capacitance	V <sub>IN</sub> = V <sub>CC</sub> - 0.5 V	V <sub>CC</sub> = 5.0 V, T <sub>A</sub> = 25°C	6	pF
C <sub>OUT</sub>	Output Capacitance	V <sub>OUT</sub> = 2.0 V		f = 1 MHz	8

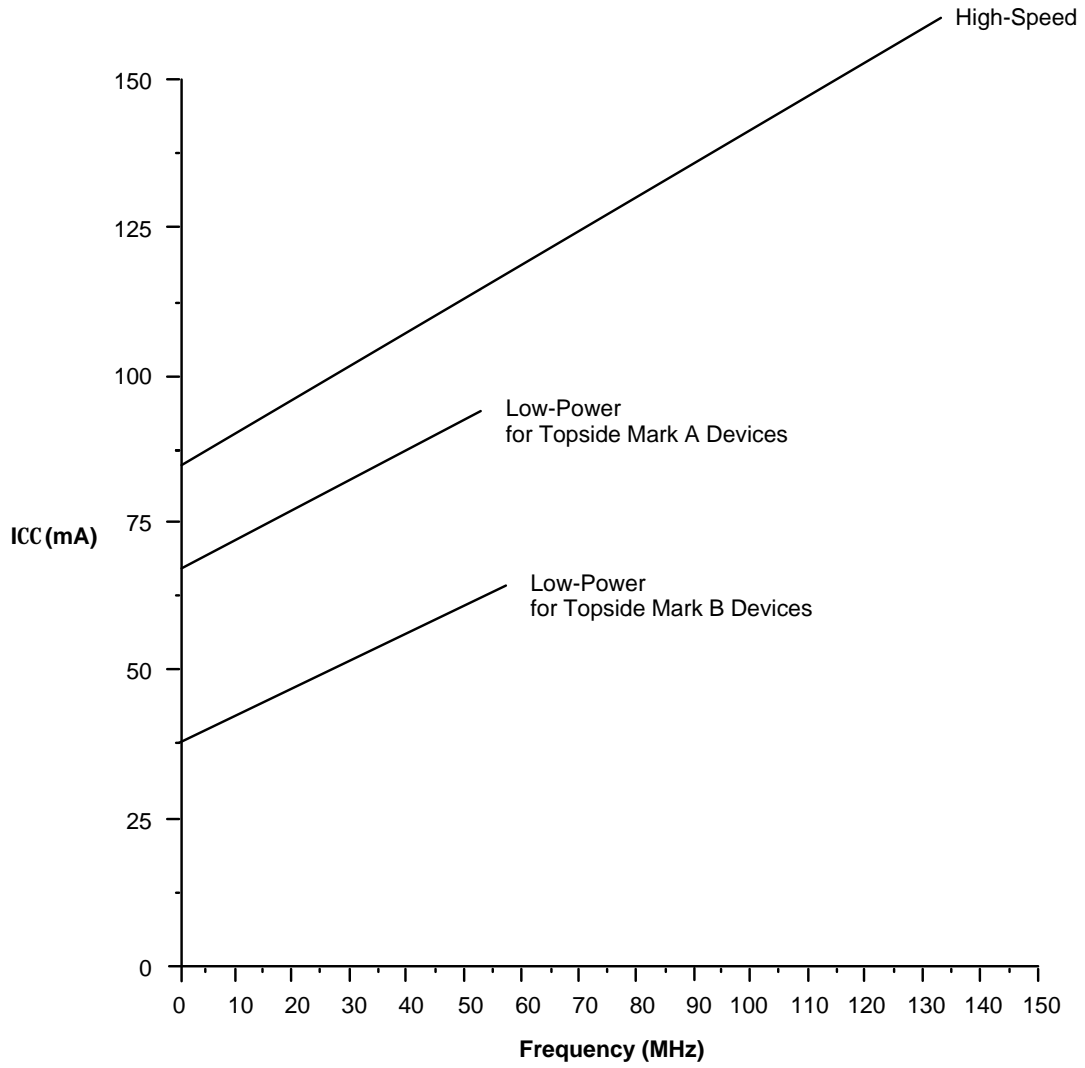
## SWITCHING CHARACTERISTICS over INDUSTRIAL operating ranges (Note 2)

Parameter Symbol	Parameter Description		-12		-14		-18		-24		Unit	
			Min	Max	Min	Max	Min	Max	Min	Max		
t <sub>PD</sub>	Input, I/O, or Feedback to Combinatorial Output			12		14.5		18		24	ns	
t <sub>S</sub>	Setup Time from Input, I/O, or Feedback to Clock	D-type	7		8.5		12		16		ns	
		T-type	8		10		13.5		17		ns	
t <sub>H</sub>	Hold Time		0		0		0		0		ns	
t <sub>CO</sub>	Clock to Output			8		10		12		14.5	ns	
t <sub>WL</sub>	Clock Width	LOW	6		6		7.5		10		ns	
		HIGH	6		6		7.5		10		ns	
f <sub>MAX</sub>	Maximum Frequency (Note 1)	External Feedback 1/(t <sub>S</sub> + t <sub>CO</sub> )	D-type	66.7		54		40		32		MHz
			T-type	62.5		50		38		30		MHz
		Internal Feedback (f <sub>CNT</sub> )	D-type	76.9		61.5		53		38		MHz
			T-type	71.4		57		44		34.5		MHz
No Feedback 1/(t <sub>WL</sub> + t <sub>WH</sub> )			83.3		83.3		61.5		50		MHz	
t <sub>AR</sub>	Asynchronous Reset to Registered Output			16		19.5		24		30	ns	
t <sub>ARW</sub>	Asynchronous Reset Width (Note 1)		12		14.5		18		24		ns	
t <sub>ARR</sub>	Asynchronous Reset Recovery Time (Note 1)		8		10		12		18		ns	
t <sub>AP</sub>	Asynchronous Preset to Registered Output			16		19.5		24		30	ns	
t <sub>APW</sub>	Asynchronous Preset Width (Note 1)		12		14.5		18		24		ns	
t <sub>APR</sub>	Asynchronous Preset Recovery Time (Note 1)		8		10		12		18		ns	
t <sub>EA</sub>	Input, I/O, or Feedback to Output Enable			12		14.5		18		24	ns	
t <sub>ER</sub>	Input, I/O, or Feedback to Output Disable			12		14.5		18		24	ns	
t <sub>LP</sub>	t <sub>PD</sub> Increase for Powered-Down Macrocell (Note 3)			10		10		10		10	ns	
t <sub>LPS</sub>	t <sub>S</sub> Increase for Powered-Down Macrocell (Note 3)			7		7		7		7	ns	
t <sub>LPCO</sub>	t <sub>CO</sub> Increase for Powered-Down Macrocell (Note 3)			3		3		3		3	ns	
t <sub>LPEA</sub>	t <sub>EA</sub> Increase for Powered-Down Macrocell (Note 3)			10		10		10		10	ns	

### Notes:

1. These parameters are not 100% tested, but are evaluated at initial characterization and at any time the design is modified where capacitance may be affected.
2. See Switching Test Conditions.
3. If a signal is powered down, this parameter must be added to its respective high-speed parameter.

**TYPICAL  $I_{CC}$  CHARACTERISTICS**  
 $V_{CC} = 5\text{ V}$ ,  $T_A = 25^\circ\text{C}$

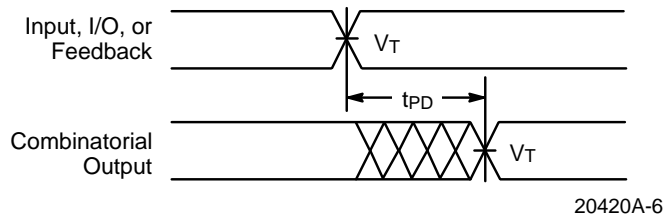


20420A-5

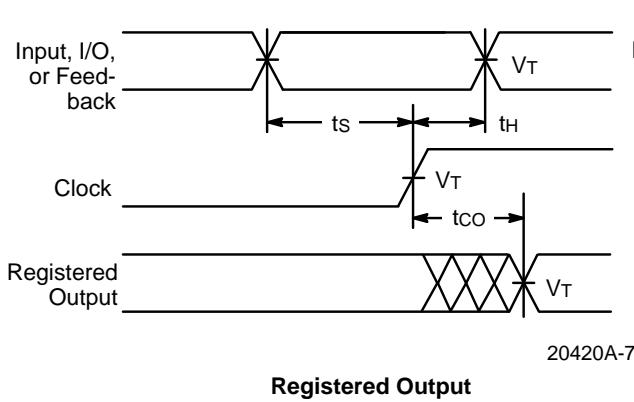
*The selected "typical" pattern is a 16-bit up/down counter. This pattern is programmed in each PAL block and is capable of being loaded, enabled, and reset.*

*Maximum frequency shown uses internal feedback and a D-type register.*

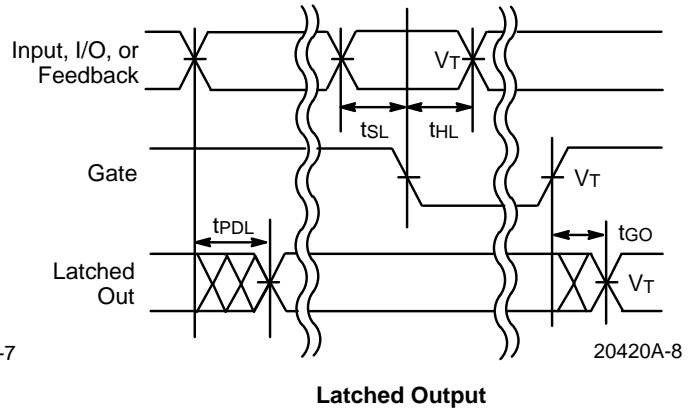
**SWITCHING WAVEFORMS**



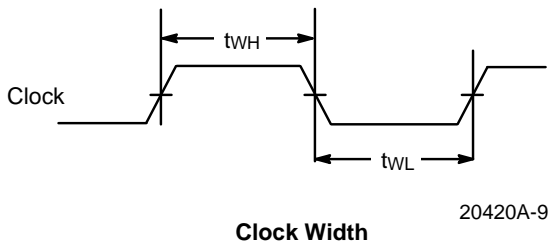
**Combinatorial Output**



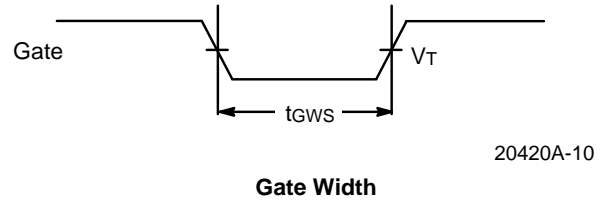
**Registered Output**



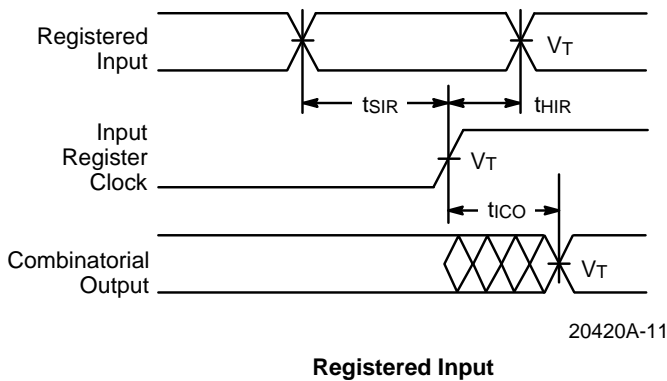
**Latched Output**



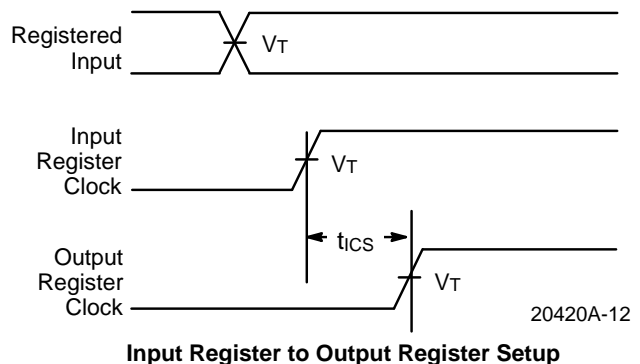
**Clock Width**



**Gate Width**



**Registered Input**

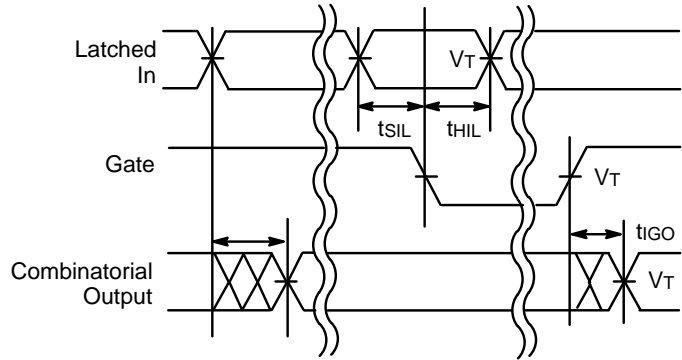


**Input Register to Output Register Setup**

**Notes:**

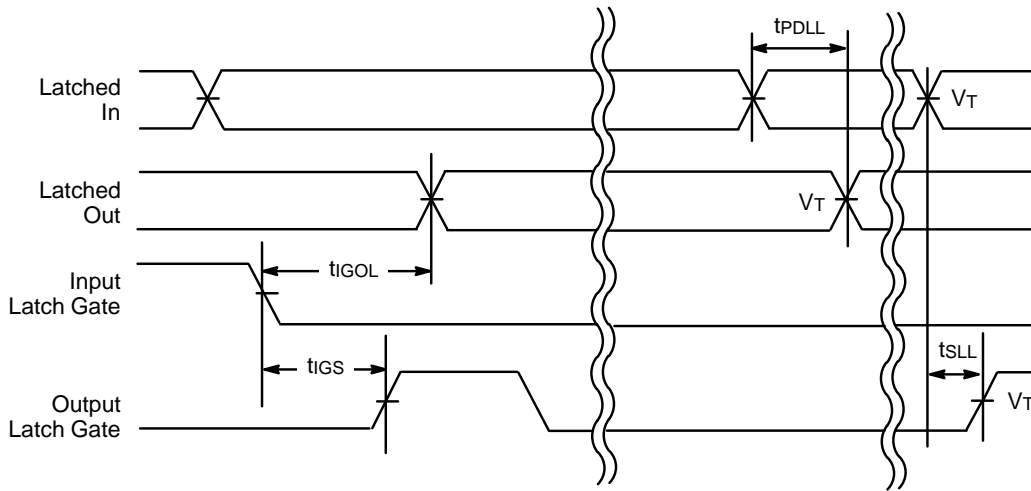
1.  $V_T = 1.5\text{ V}$ .
2. Input pulse amplitude 0 V to 3.0 V.
3. Input rise and fall times 2 ns–4 ns typical.

SWITCHING WAVEFORMS



20420A-13

Latched Input



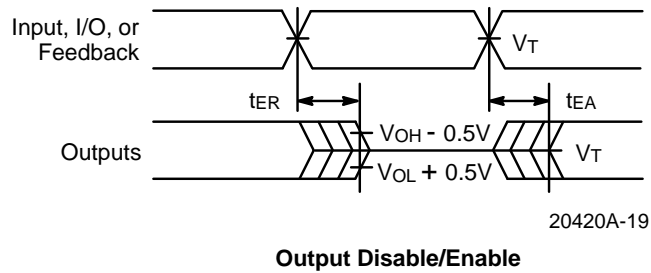
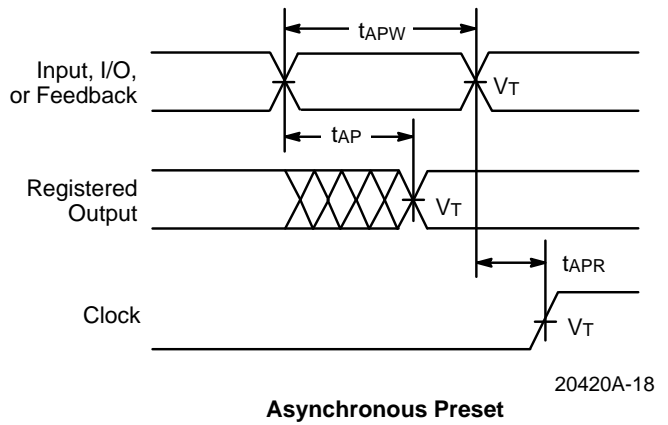
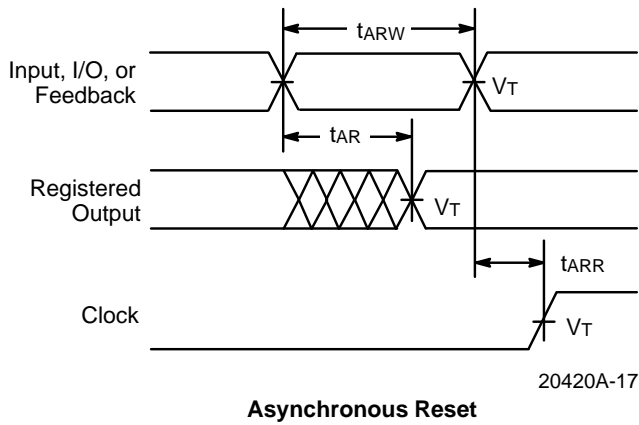
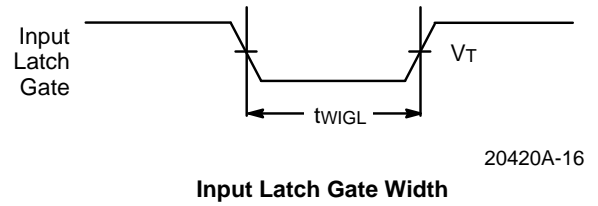
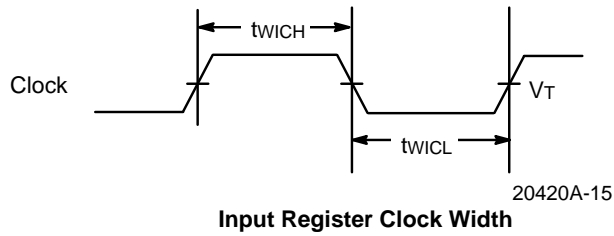
20420A-14

Latched Input and Output

Notes:

1.  $V_T = 1.5 V$ .
2. Input pulse amplitude 0 V to 3.0 V.
3. Input rise and fall times 2 ns–4 ns typical.

**SWITCHING WAVEFORMS**



**Notes:**

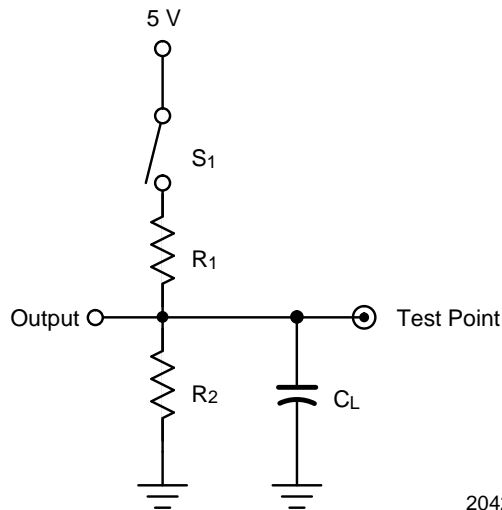
1.  $V_T = 1.5\text{ V}$ .
2. Input pulse amplitude 0 V to 3.0 V.
3. Input rise and fall times 2 ns–4 ns typical.

KEY TO SWITCHING WAVEFORMS

WAVEFORM	INPUTS	OUTPUTS
	Must be Steady	Will be Steady
	May Change from H to L	Will be Changing from H to L
	May Change from L to H	Will be Changing from L to H
	Don't Care, Any Change Permitted	Changing, State Unknown
	Does Not Apply	Center Line is High-Impedance "Off" State

KS000010-PAL

SWITCHING TEST CIRCUIT



20420A-20

Specification	S <sub>1</sub>	C <sub>L</sub>	Commercial		Measured Output Value
			R <sub>1</sub>	R <sub>2</sub>	
t <sub>PD</sub> , t <sub>CO</sub>	Closed	35 pF	300 Ω	390 Ω	1.5 V
t <sub>EA</sub>	Z → H: Open Z → L: Closed				1.5 V
t <sub>ER</sub>	H → Z: Open L → Z: Closed	5 pF			H → Z: V <sub>OH</sub> - 0.5 V L → Z: V <sub>OL</sub> + 0.5 V

\*Switching several outputs simultaneously should be avoided for accurate measurement.



### f<sub>MAX</sub> PARAMETERS

The parameter f<sub>MAX</sub> is the maximum clock rate at which the device is guaranteed to operate. Because the flexibility inherent in programmable logic devices offers a choice of clocked flip-flop designs, f<sub>MAX</sub> is specified for three types of synchronous designs.

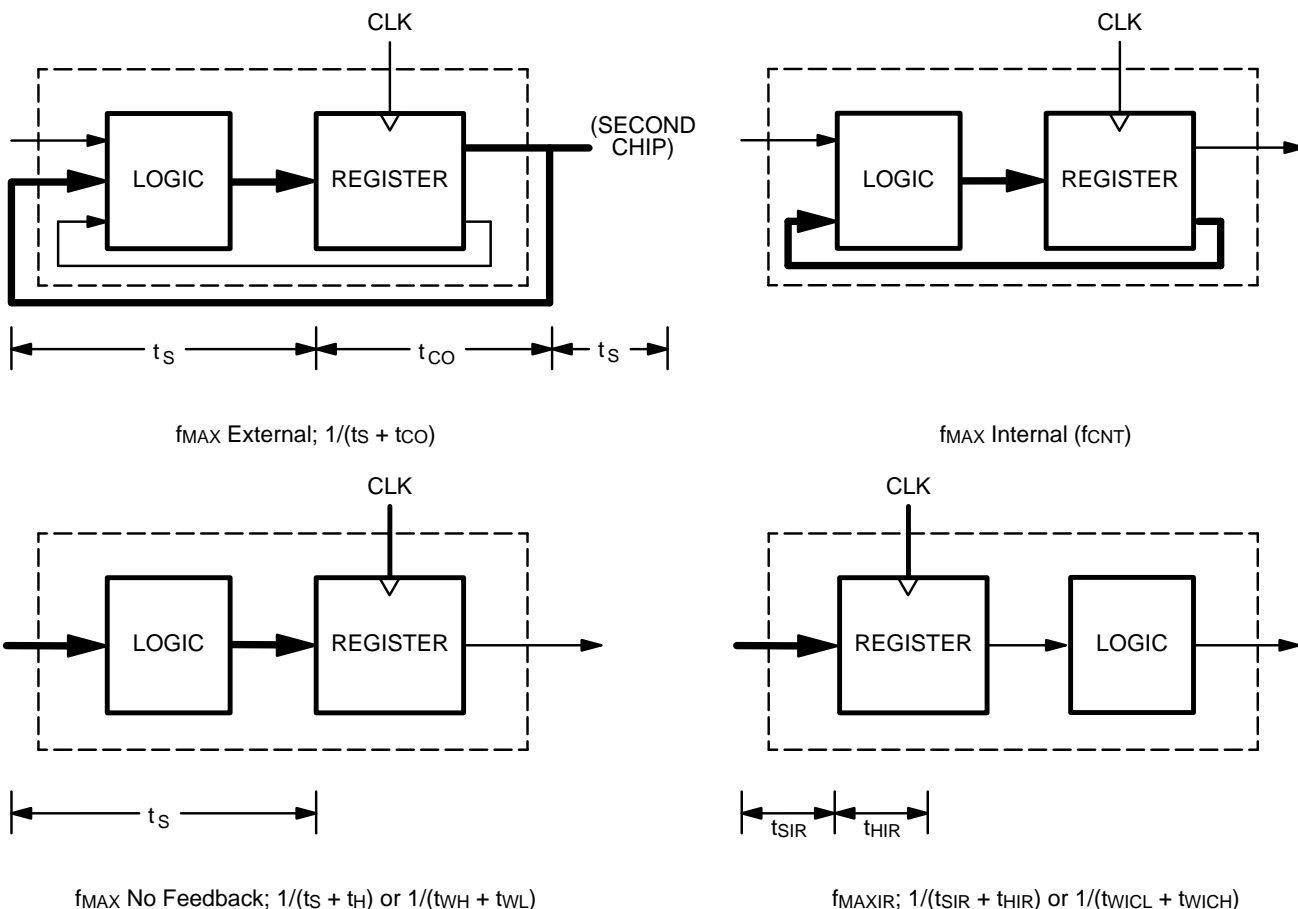
The first type of design is a state machine with feedback signals sent off-chip. This external feedback could go back to the device inputs, or to a second device in a multi-chip state machine. The slowest path defining the period is the sum of the clock-to-output time and the input setup time for the external signals (t<sub>s</sub> + t<sub>CO</sub>). The reciprocal, f<sub>MAX</sub>, is the maximum frequency with external feedback or in conjunction with an equivalent speed device. This f<sub>MAX</sub> is designated "f<sub>MAX</sub> external."

The second type of design is a single-chip state machine with internal feedback only. In this case, flip-flop inputs are defined by the device inputs and flip-flop outputs. Under these conditions, the period is limited by the internal delay from the flip-flop outputs through the internal feedback and logic to the flip-flop inputs. This f<sub>MAX</sub> is designated "f<sub>MAX</sub> internal". A simple internal counter is a good example of this type of design; therefore, this parameter is sometimes called "f<sub>CNT</sub>."

The third type of design is a simple data path application. In this case, input data is presented to the flip-flop and clocked through; no feedback is employed. Under these conditions, the period is limited by the sum of the data setup time and the data hold time (t<sub>s</sub> + t<sub>H</sub>). However, a lower limit for the period of each f<sub>MAX</sub> type is the minimum clock period (t<sub>WH</sub> + t<sub>WL</sub>). Usually, this minimum clock period determines the period for the third f<sub>MAX</sub>, designated "f<sub>MAX</sub> no feedback."

For devices with input registers, one additional f<sub>MAX</sub> parameter is specified: f<sub>MAXIR</sub>. Because this involves no feedback, it is calculated the same way as f<sub>MAX</sub> no feedback. The minimum period will be limited either by the sum of the setup and hold times (t<sub>SIR</sub> + t<sub>HIR</sub>) or the sum of the clock widths (t<sub>WICL</sub> + t<sub>WICH</sub>). The clock widths are normally the limiting parameters, so that f<sub>MAXIR</sub> is specified as 1/(t<sub>WICL</sub> + t<sub>WICH</sub>). Note that if both input and output registers are use in the same path, the overall frequency will be limited by t<sub>CS</sub>.

All frequencies except f<sub>MAX</sub> internal are calculated from other measured AC parameters. f<sub>MAX</sub> internal is measured directly.



**ENDURANCE CHARACTERISTICS**

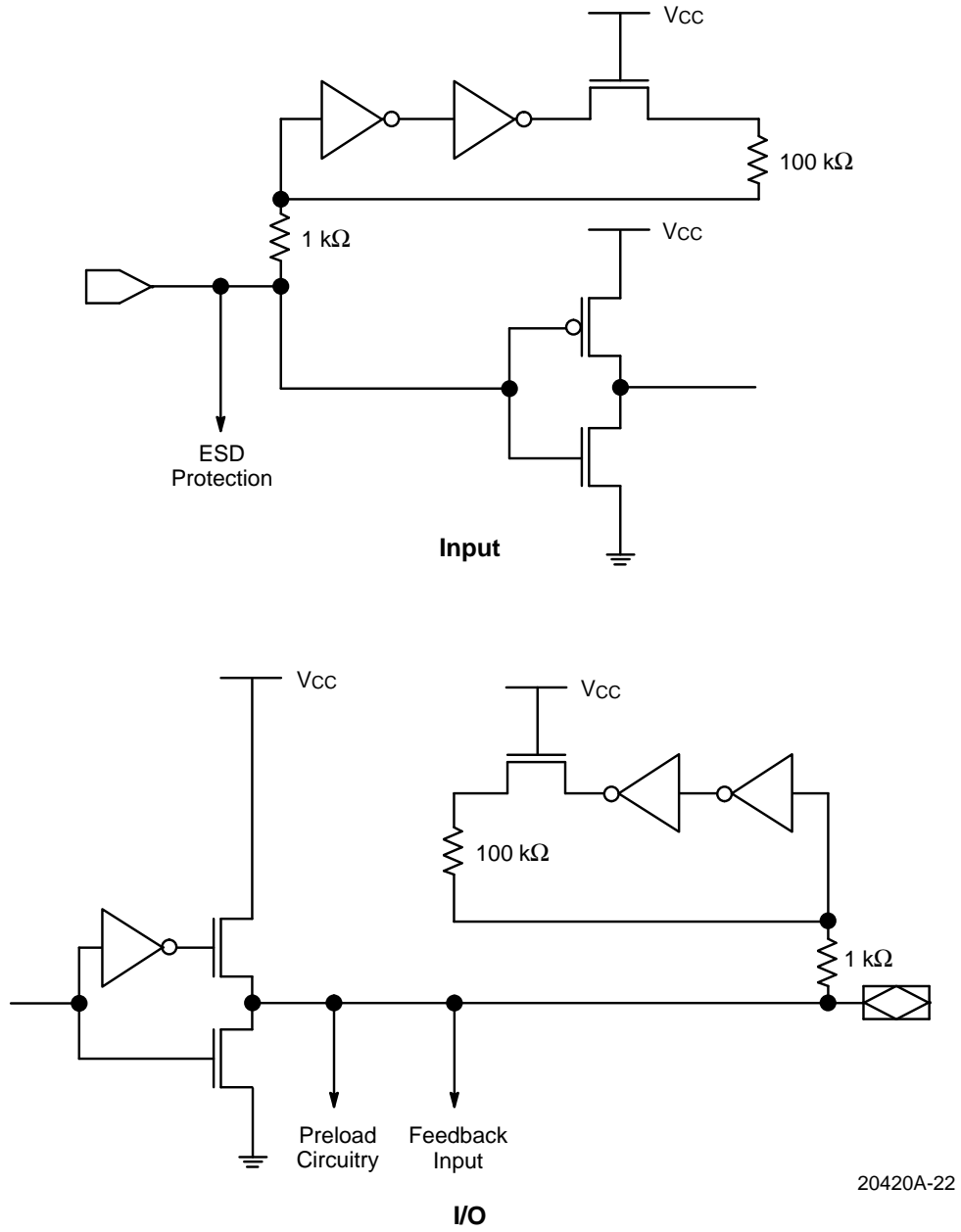
The MACH families are manufactured using AMD's advanced Electrically Erasable process. This technology uses an EE cell to replace the fuse link used in

bipolar parts. As a result, the device can be erased and reprogrammed, a feature which allows 100% testing at the factory.

**Endurance Characteristics**

Parameter Symbol	Parameter Description	Min	Units	Test Conditions
t <sub>DR</sub>	Min Pattern Data Retention Time	10	Years	Max Storage Temperature
		20	Years	Max Operating Temperature
N	Max Reprogramming Cycles	100	Cycles	Normal Programming Conditions

**INPUT/OUTPUT EQUIVALENT SCHEMATICS**  
 (For MACH111, MACH131, MACH211, MACH221, and MACH231)



20420A-22

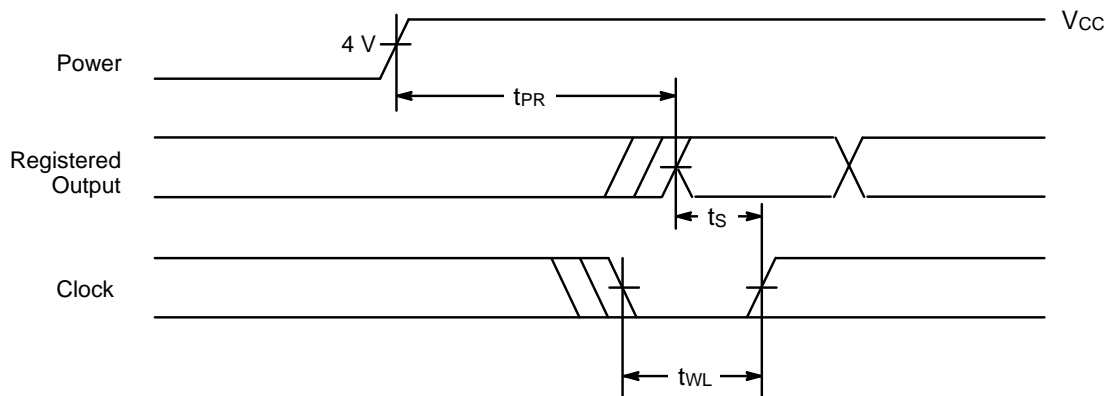
**POWER-UP RESET**

The MACH devices have been designed with the capability to reset during system power-up. Following power-up, all flip-flops will be reset to LOW. The output state will depend on the logic polarity. This feature provides extra flexibility to the designer and is especially valuable in simplifying state machine initialization. A timing diagram and parameter table are shown below. Due to the synchronous operation of the power-up reset and the

wide range of ways  $V_{CC}$  can rise to its steady state, two conditions are required to insure a valid power-up reset. These conditions are:

1. The  $V_{CC}$  rise must be monotonic.
2. Following reset, the clock input must not be driven from LOW to HIGH until all applicable input and feedback setup times are met.

Parameter Symbol	Parameter Descriptions	Max	Unit
$t_{PR}$	Power-Up Reset Time	10	$\mu s$
$t_s$	Input or Feedback Setup Time	See Switching Characteristics	
$t_{WL}$	Clock Width LOW		



20420A-23

**Power-Up Reset Waveform**

## USING PRELOAD AND OBSERVABILITY

In order to be testable, a circuit must be both controllable and observable. To achieve this, the MACH devices incorporate register preload and observability.

In preload mode, each flip-flop in the MACH device can be loaded from the I/O pins, in order to perform functional testing of complex state machines. Register preload makes it possible to run a series of tests from a known starting state, or to load illegal states and test for proper recovery. This ability to control the MACH device's internal state can shorten test sequences, since it is easier to reach the state of interest.

The observability function makes it possible to see the internal state of the buried registers during test by overriding each register's output enable and activating the output buffer. The values stored in output and buried registers can then be observed on the I/O pins. Without this feature, a thorough functional test would be impossible for any designs with buried registers.

While the implementation of the testability features is fairly straightforward, care must be taken in certain instances to insure valid testing.

One case involves asynchronous reset and preset. If the MACH registers drive asynchronous reset or preset lines and are preloaded in such a way that reset or preset are asserted, the reset or preset may remove the preloaded data. This is illustrated in Figure 2. Care should be taken when planning functional tests, so that states that will cause unexpected resets and presets are not preloaded.

Another case to be aware of arises in testing combinatorial logic. When an output is configured as combinatorial, the observability feature forces the output into registered mode. When this happens, all product terms are forced to zero, which eliminates all combinatorial data. For a straight combinatorial output, the correct value will be restored after the preload or observe function, and there will be no problem. If the function implements a combinatorial latch, however, it relies on feedback to hold the correct value, as shown in Figure 3. As this value may change during the preload or observe operation, you cannot count on the data being correct after the operation. To insure valid testing in these cases, outputs that are combinatorial latches should not be tested immediately following a preload or observe sequence, but should first be restored to a known state.

All MACH 1 devices support preload and all MACH 2 devices support both preload and observability.

Contact individual programming vendors in order to verify programmer support.

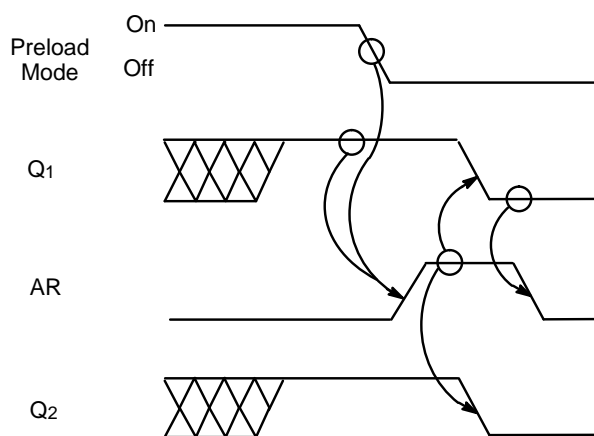
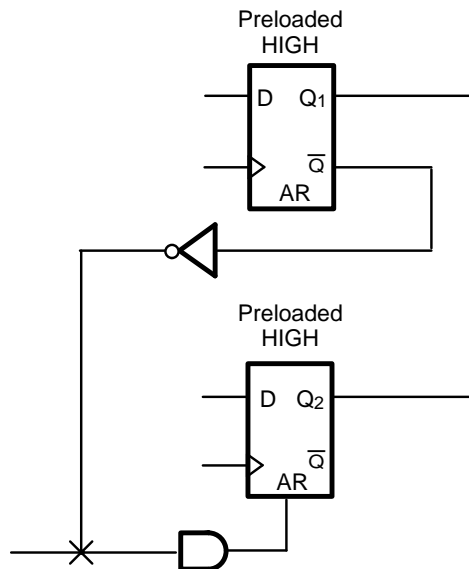


Figure 2. Preload/Reset Conflict

20420A-24

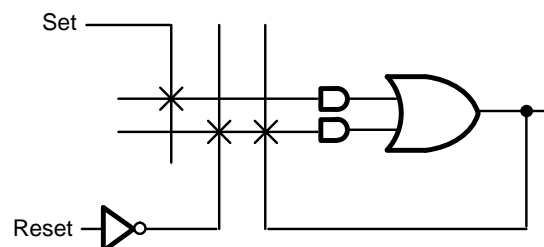


Figure 3. Combinatorial Latch

20420A-25

## TYPICAL THERMAL CHARACTERISTICS AS MEASURED FROM A 6-LAYER BOARD

Measured at 25°C ambient. These parameters are not tested.

Parameter Symbol	Parameter Description	Typ		Unit	
		TQFP	PLCC		
$\theta_{jc}$	Thermal impedance, junction to case	11.3	15	°C/W	
$\theta_{ja}$	Thermal impedance, junction to ambient	40	24.4	°C/W	
$\theta_{jma}$	Thermal impedance, junction to ambient with air flow	200 lfpm air	34.7	17.5	°C/W
		400 lfpm air	32.9	16.7	°C/W
		600 lfpm air	32.5	15.5	°C/W
		800 lfpm air	31.3	14.7	°C/W

### Plastic $\theta_{jc}$ Considerations

The data listed for plastic  $\theta_{jc}$  are for reference only and are not recommended for use in calculating junction temperatures. The heat-flow paths in plastic-encapsulated devices are complex, making the  $\theta_{jc}$  measurement relative to a specific location on the package surface. Tests indicate this measurement reference point is directly below the die-attach area on the bottom center of the package. Furthermore,  $\theta_{jc}$  tests on packages are performed in a constant-temperature bath, keeping the package surface at a constant temperature. Therefore, the measurements can only be used in a similar environment.

## DEVELOPMENT SYSTEMS (subject to change)

For more information on the products listed below, please consult the AMD FusionPLD Catalog.

MANUFACTURER	SOFTWARE DEVELOPMENT SYSTEMS
Advanced Micro Devices, Inc. P.O. Box 3453, MS 1028 Sunnyvale, CA 94088-3543 (800) 222-9323 or (408) 732-2400	MACHXL® Software  Ver. 3.0
Advanced Micro Devices, Inc. P.O. Box 3453, MS 1028 Sunnyvale, CA 94088-3543 (800) 222-9323 or (408) 732-2400	Design Center/AMD Software
Advanced Micro Devices, Inc. P.O. Box 3453, MS 1028 Sunnyvale, CA 94088-3543 (800) 222-9323 or (408) 732-2400	AMD-ABEL Software Data I/O MACH Fitters
Advanced Micro Devices, Inc. P.O. Box 3453, MS 1028 Sunnyvale, CA 94088-3543 (800) 222-9323 or (408) 732-2400	PROdeveloper/AMD Software PROsynthesis/AMD Software
Cadence Design Systems 555 River Oaks Pkwy San Jose, CA 95134 (408) 943-1234	PLD™ Designer Verilog, LeapFrog, RapidSim Simulators Ver. 9504
Data I/O Corporation 10525 Willows Road N.E. P.O. Box 97046 Redmond, WA 98073-9746 (800) 332-8246 or (206) 881-6444	ABEL™ Software Synario™ Software
Mentor Graphics Corp. 8005 S.W. Boeckman Rd. Wilsonville, OR 97070-7777 (800) 547-3000 or (503) 685-7000	PLDSynthesis™ II QuickSim Simulator
MicroSim Corp. 20 Fairbanks Irvine, CA 92718 (714) 770-3022	Design Center Software
MINC Incorporated 6755 Earl Drive, Suite 200 Colorado Springs, CO 80918 (800) 755-FPGA or (719) 590-1155	PLDesigner™-XL Software
SUSIE-CAD 10000 Nevada Highway, Suite 201 Boulder City, NV 89005 (702) 293-2271	SUSIE™ Simulator
Synopsys Logic Modeling 19500 NW Gibbs Dr. P.O. Box 310 Beaverton, OR 97075 (503) 690-6900	SmartModel® Library
Teradyne EDA 321 Harrison Ave. Boston, MA 02118 (800) 777-2432 or (617) 422-2793	MultiSIM Interactive Simulator LASAR

**DEVELOPMENT SYSTEMS** (subject to change) **(continued)**

<b>MANUFACTURER</b>	<b>SOFTWARE DEVELOPMENT SYSTEMS</b>
Viewlogic Systems, Inc. 293 Boston Post Road West Marlboro, MA 01752 (800) 442-4660 or (508) 480-0881	ViewPLD or PROPLD (Requires PROSim Simulator MACH Fitter) ViewSim Simulator
<b>MANUFACTURER</b>	<b>TEST GENERATION SYSTEM</b>
Acugen Software, Inc. 427-3 Amherst St., Suite 391 Nashua, NH 03063 (603) 891-1995	ATGEN™ Test Generation Software
iNt GmbH Busenstrasse 6 D-8033 Martinsried, Munich, Germany (87) 857-6667	PLDCheck 90

Advanced Micro Devices is not responsible for any information relating to the products of third parties. The inclusion of such information is not a representation nor an endorsement by AMD of these products.



## APPROVED PROGRAMMERS (subject to change)

For more information on the products listed below, please consult the AMD FusionPLD Catalog.

MANUFACTURER	PROGRAMMER CONFIGURATION
Advin Systems, Inc. 1050-L East Duane Ave. Sunnyvale, CA 94086 (408) 243-7000	Pilot U84
BP Microsystems 100 N. Post Oak Rd. Houston, TX 77055-7237 (800) 225-2102 or (713) 688-4600	BP1148    BP1200    BP2100
Data I/O Corporation 10525 Willows Road N.E. P.O. Box 97046 Redmond, WA 98073-9746 (800) 332-8246 or (206) 881-6444	UniSite™    Model 2900    Model 3900    AutoSite
HI-LO/Tribal 4F, No. 2, Sec. 5, Ming Shoh E. Rd. Taipei, Taiwan	ALL-07    FLEX-700
Logical Devices Inc./Digelec 692 S. Military Trail Deerfield Beach, FL 33442 (800) 331-7766 or (305) 428-6868	ALLPRO™-88
SMS North America, Inc. 16522 NE 135th Place Redmond, WA 98052 (800) 722-4122 or SMS Im Grund 15 D-7988 Vangen Im Allgau, Germany 07522-5018	Sprint    Expert    MultiSite
Stag Microsystems Inc. 1600 Wyatt Dr. Suite 3 Santa Clara, CA 95054 (408) 988-1118 or Stag House Martinfield, Welwyn Garden City Herfordshire UK AL7 1JT 707-332148	Stag Quazar Stag Eclipse
System General 510 S. Park Victoria Dr. Milpitas, CA 95035 (408) 263-6667 or 3F, No. 1, Alley 8, Lane 45 Bao Shing Rd., Shin Diau Taipei, Taiwan 2-917-3005	Turpro-1    FX    TX

## APPROVED ON-BOARD PROGRAMMERS

MANUFACTURER	PROGRAMMER CONFIGURATION
Corelis, Inc. 12607 Hidden Creek Way, Suite H Cerritos, California 70703 (310) 926-6727	JTAG PROG
Advanced Micro Devices P.O. Box 3453, MS-1028 Sunnyvale, CA 94088-3453 (800) 222-9323	MACHpro

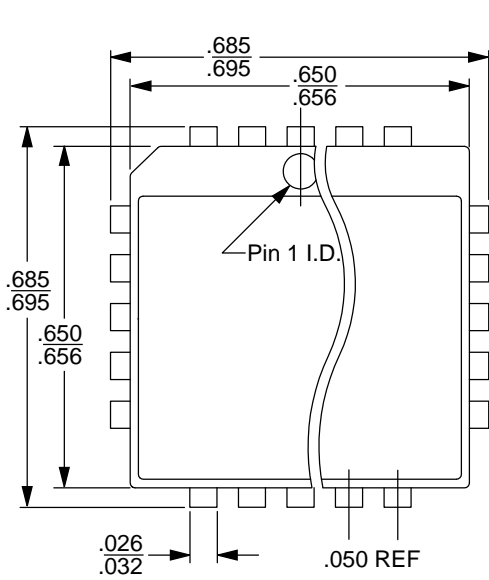
**PROGRAMMER SOCKET ADAPTERS** (subject to change)

<b>MANUFACTURER</b>	<b>PART NUMBER</b>
California Integration Coordinators, Inc. 656 Main Street Placerville, CA 95667 (916) 626-6168	Contact Manufacturer
EDI Corporation P.O. Box 366 Patterson, CA 95363 (209) 892-3270	Contact Manufacturer
Emulation Technology 2344 Walsh Ave., Bldg. F Santa Clara, CA 95051 (408) 982-0660	Contact Manufacturer
Logical Systems Corp. P.O. Box 6184 Syracuse, NY 13217-6184 (315) 478-0722	Contact Manufacturer
Procon Technologies, Inc. 1333 Lawrence Expwy, Suite 207 Santa Clara, CA 95051 (408) 246-4456	Contact Manufacturer

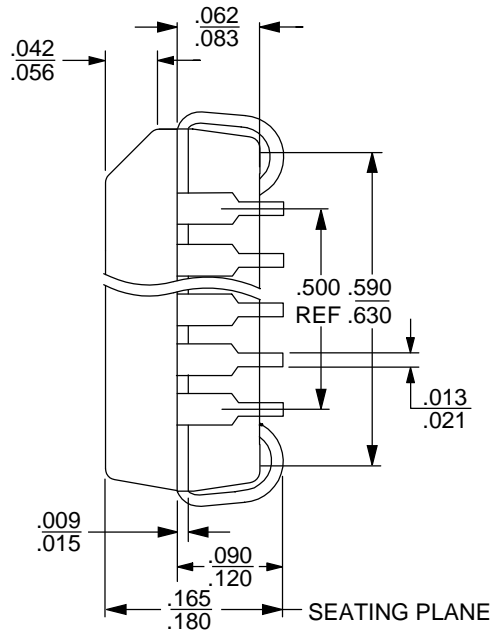
**PHYSICAL DIMENSIONS\***

**PL 044**

**44-Pin Plastic Leaded Chip Carrier (measured in inches)**



TOP VIEW



SIDE VIEW

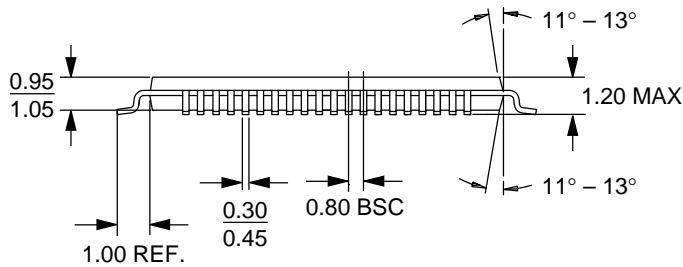
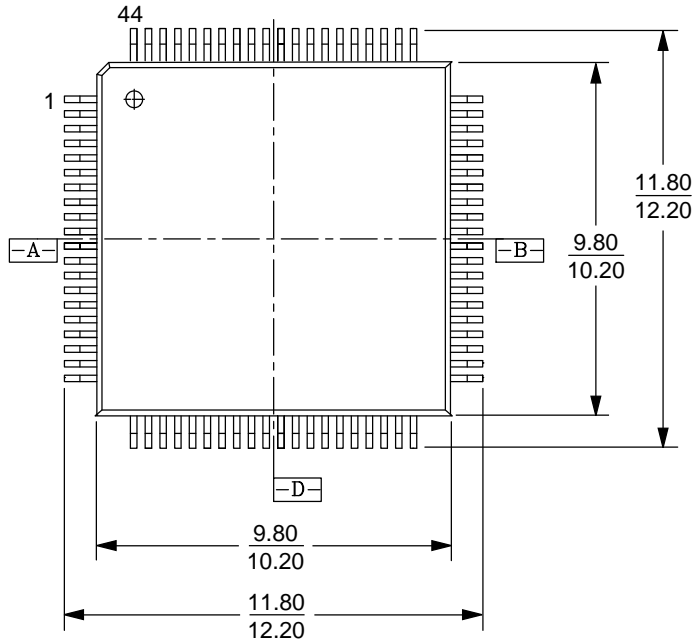
16-038-SQ  
 PL 044  
 DA78  
 6-28-94 ae

\*For reference only, not drawn to scale. BSC is an ANSI standard for Basic Space Centering.

PHYSICAL DIMENSIONS

PQT044

44-Pin Thin Quad Flat Pack (measured in millimeters)



16-038-PQT-2  
PQT 44  
7-11-95 ae

Trademarks

Copyright © 1995 Advanced Micro Devices, Inc. All rights reserved.

AMD, the AMD logo, MACH, and PAL are registered trademarks of Advanced Micro Devices, Inc.

Bus-Friendly is a trademark of Advanced Micro Devices, Inc.

Product names used in this publication are for identification purposes only and may be trademarks of their respective companies.