



PIC32MX270F256D

PIC32MX270F256D Bluetooth® Audio 44-pin to 100-pin TQFP Plug-In Module (PIM) Information Sheet

The PIC32MX270F256D Bluetooth Audio PIM is designed to demonstrate the capabilities of the PIC32MX1XX/2XX family of devices using the PIC32 Bluetooth Audio Development Kit board.

Note: This PIM can only be used with the PIC32 Bluetooth Audio Development Board. To get started with development, please visit: <http://www.microchip.com/pic32tools> and click the PIC32 Bluetooth Audio Development Board product link.

The PIC32MX1XX/2XX family of devices are high-performance 32-bit microcontrollers in low-pin count packages.

Table 1 shows the mapping between the development board functions and the device pins.

The MCP23008 (see Figure 3) is an I²C bus expander, which was added to help maintain most of the functionality of the 100-pin device. The I²C expander controls the on-board LEDs and charge management logic control lines. For flexibility, the I²C expander has a changeable slave address.

TABLE 1: 44-PIN TO 100-PIN PINOUT

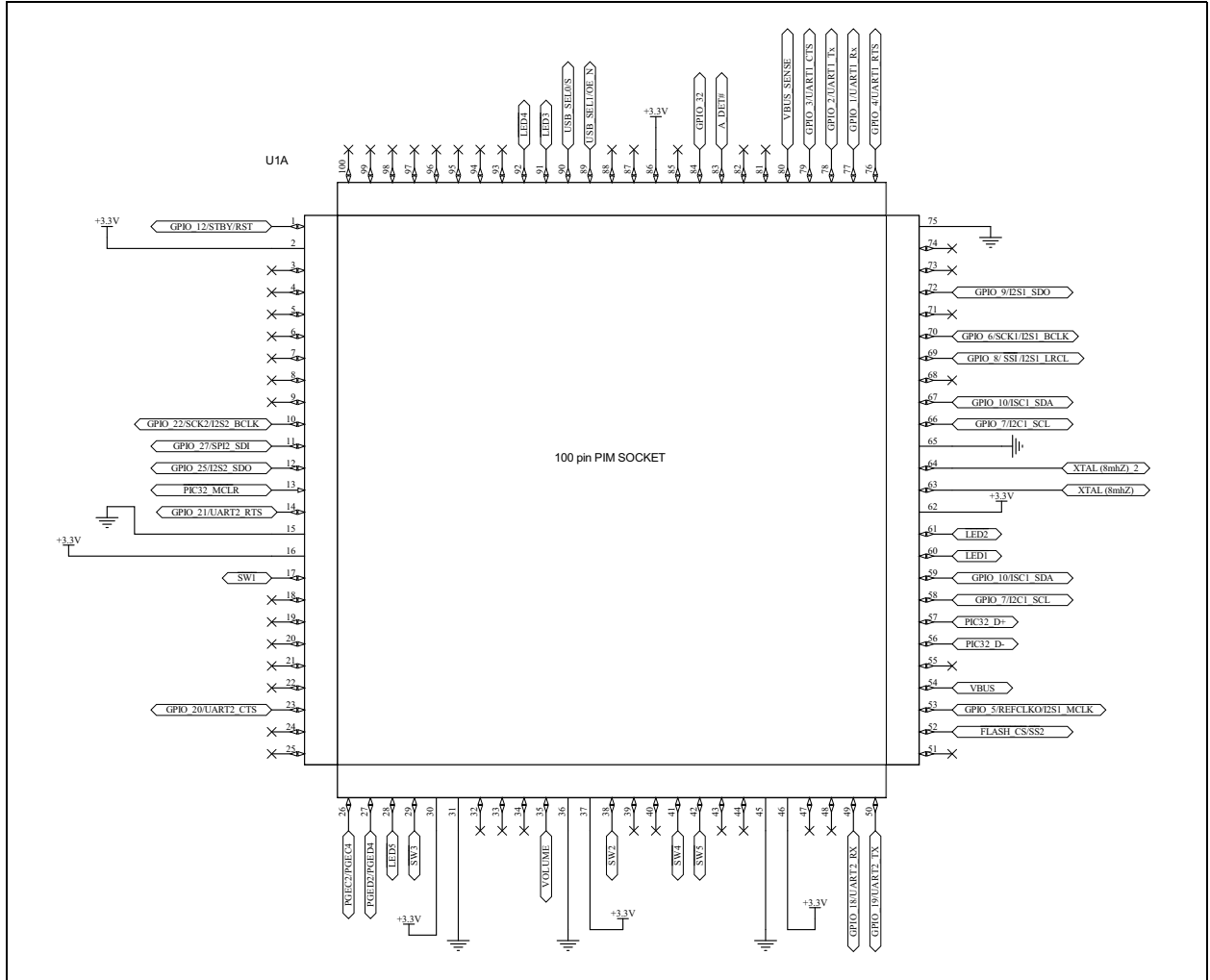
Device Pin #	PIC32MX270F256D Pin Name	PIM Pin #	Functional Description	I ² C Expander (MCP23008)
1	RPB9/SDA1/CTED4/PMD3/RB9	59, 67	I2C SDA	2
2	RPC6/PMA1/RC6	77	UART1_RX	—
3	RPC7/PMA0/RC7	78	UART_TX	—
4	RPC8/PMA5/RC8	49	UART2_RX	—
5	RPC9/CTED7/PMA6/RC9	41	SW4	—
6	Vss	15, 31, 36, 45, 65, 75	GND	3, 5, 9
7	VCAP	2, 16, 30, 37, 46, 62, 86	3.3V/VCAP	—
8	PGED2/RPB10/D+/CTED11/RB10	57	USB D+	—
9	PGEC2/RPB11/D-/RB11	56	USB D-	—
10	VBUS3V3		3.3V	20
11	AN11/RPB13/CTPLS/PMRD/RB13	11	SPI2_SDI	—
12	PGED/TMS/PMA10/RA10	27	PGD4	—
13	PGEC/TCK/CTED8/PMA7/RA7	26	PGC4	—
14	CVREFOUT/AN10/C3INB/RPB14/VBUSON/SCK1/CTED5/RB14	70	I2S1_BCLK	—
15	AN9/C3INA/RPB15/SCK2/CTED6/PMCS1/RB15	10	SCK2	—
16	AVss	15, 31, 36, 45, 65, 75	GND	3, 5, 9
17	AVDD	2, 16, 30, 37, 46, 62, 86	3.3V	20
18	MCLR	13	MCLR#	—
19	PGED3/VREF+/CVREF+/AN0/C3INC/RPA0/CTED1/PMD7/RA0	35	VOLUME	—
20	PGEC3/VREF-/CVREF-/AN1/RPA1/CTED2/PMD6/RA1	80	VBUS_SENSE	—
21	PGED1/AN2/C1IND/C2INB/C3IND/RPB0/PMD0/RB0	52	SS2	—
22	PGEC1/AN3/C1INC/C2INA/RPB1/CTED12/PMD1/RB1	79	UART1_CTS#	—
23	AN4/C1INB/C2IND/RPB2/SDA2/CTED13/PMD2/RB2	17	SW1	—
24	AN5/C1INA/C2INC/RTCC/RPB3/SCL2/PMWR/RB3	38	SW2	—
25	AN6/RPC0/RC0	1	STBY/RS#	—
26	AN7/RPC1/RC1	53	I2S1_MCLK	—

PIC32MX270F256D

TABLE 1: 44-PIN TO 100-PIN PINOUT (CONTINUED)

Device Pin #	PIC32MX270F256D Pin Name	PIM Pin #	Functional Description	I ² C Expander (MCP23008)
27	AN8/RPC2/PMA2/RC2	76	UART_RTS#	—
28	VDD	2, 16, 30, 37, 46, 62, 86	3.3V	20
29	VSS	15, 31, 36, 45, 65, 75	GND	3, 5, 9
30	OSC1/CLKI/RPA2/RA2	63	OSC1	—
31	OSC2/CLKO/RPA3/RA3	64	OSC2	—
32	TDO/RPA8/PMA8/RA8	83	A_DET#	—
33	SOSCI/RPB4/RB4	69	I2S1_LRCL	—
34	SOSCO/RPA4/T1CK/CTED9/RA4	12	SDO2	—
35	TDI/RPA9/PMA9/RA9	72	I2S1_SDO	—
36	AN12/RPC3/RC3	23	UART2_CTS#	—
37	RPC4/PMA4/RC4	50	UART2_TX	—
38	RPC5/PMA3/RC5	29	SW3	—
39	VSS	15, 31, 36, 45, 65, 75	GND	3, 5, 9
40	VDD	2, 16, 30, 37, 46, 62, 86	3.3V	20
41	RPB5/USBID/RB5	42	SW5	—
42	VBUS	54	3.3V/VBUS	—
43	RPB7/CTED3/PMD5/INT0/RB7	14	UART2_RTS#	—
44	RPB8/SCL1/CTED10/PMD4/RB8	58, 66	I2C SCL	1

FIGURE 1: 100-PIN HEADER SCHEMATIC



PIC32MX270F256D

FIGURE 2: 44-PIN DEVICE SCHEMATIC

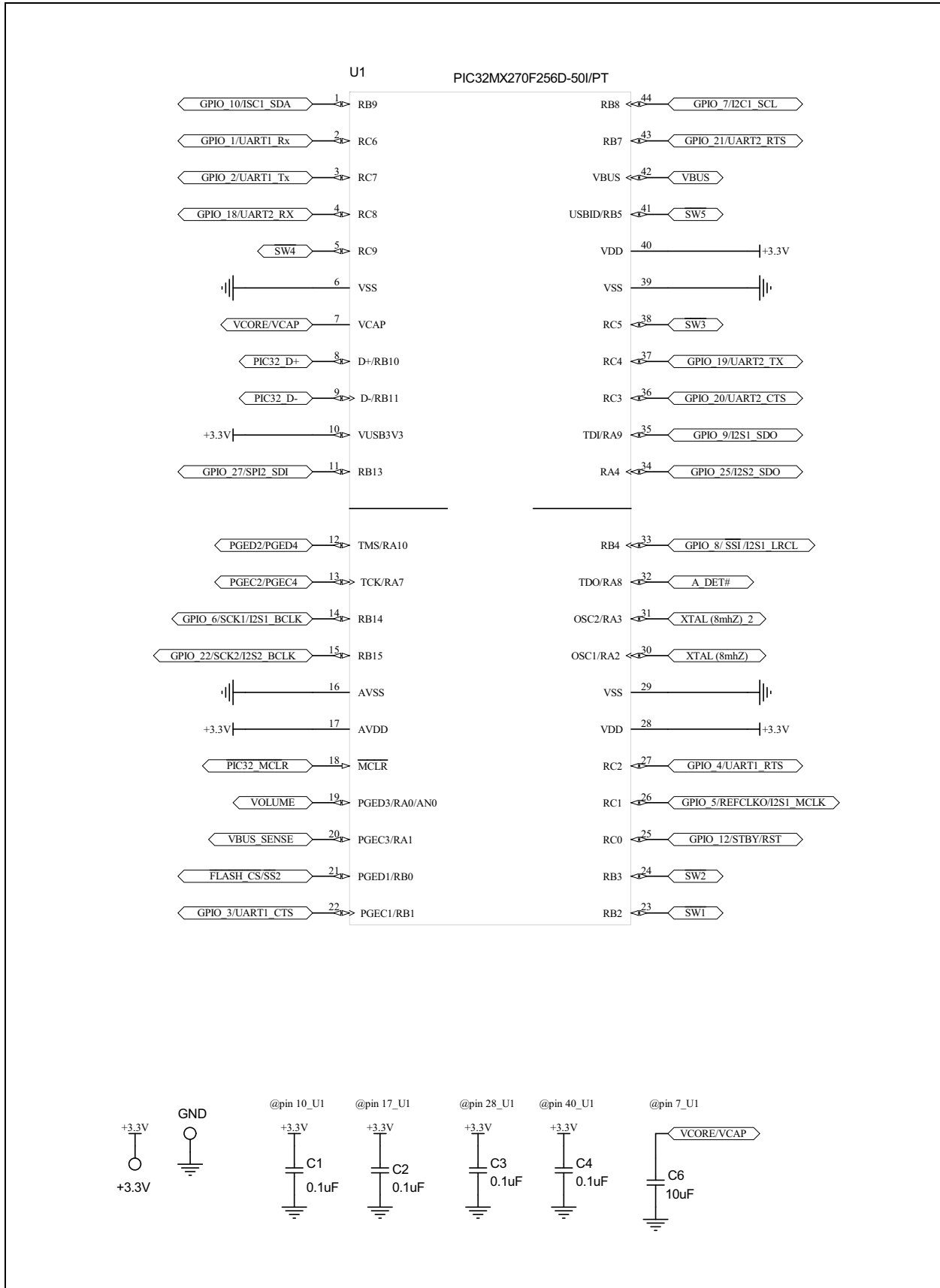
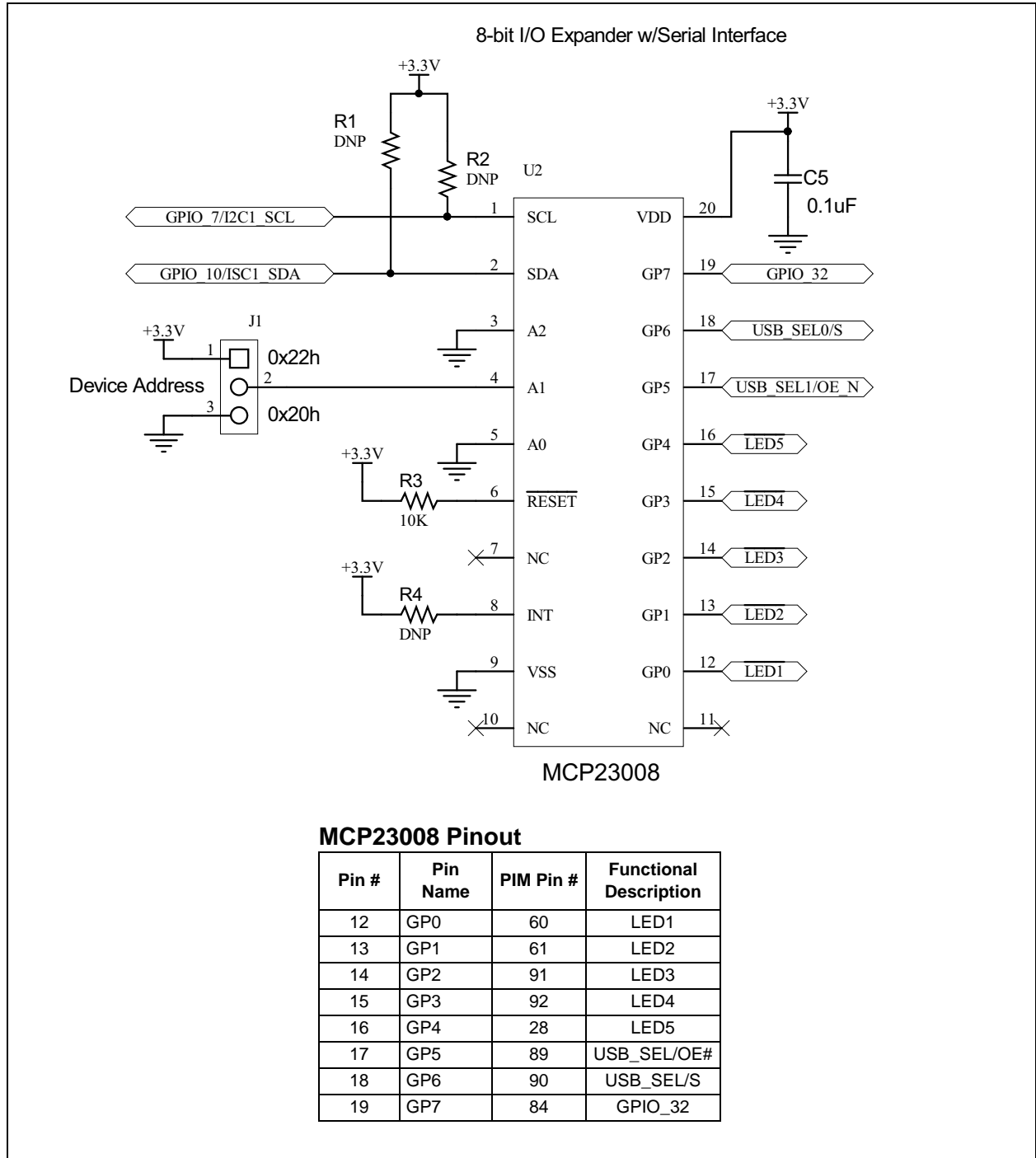


FIGURE 3: MCP23008 EXPANDER



PIC32MX270F256D

REVISION HISTORY

Revision A (May 2014)

This is the initial released version of this document.

Note the following details of the code protection feature on Microchip devices:

- Microchip products meet the specification contained in their particular Microchip Data Sheet.
- Microchip believes that its family of products is one of the most secure families of its kind on the market today, when used in the intended manner and under normal conditions.
- There are dishonest and possibly illegal methods used to breach the code protection feature. All of these methods, to our knowledge, require using the Microchip products in a manner outside the operating specifications contained in Microchip's Data Sheets. Most likely, the person doing so is engaged in theft of intellectual property.
- Microchip is willing to work with the customer who is concerned about the integrity of their code.
- Neither Microchip nor any other semiconductor manufacturer can guarantee the security of their code. Code protection does not mean that we are guaranteeing the product as "unbreakable."

Code protection is constantly evolving. We at Microchip are committed to continuously improving the code protection features of our products. Attempts to break Microchip's code protection feature may be a violation of the Digital Millennium Copyright Act. If such acts allow unauthorized access to your software or other copyrighted work, you may have a right to sue for relief under that Act.

Information contained in this publication regarding device applications and the like is provided only for your convenience and may be superseded by updates. It is your responsibility to ensure that your application meets with your specifications. MICROCHIP MAKES NO REPRESENTATIONS OR WARRANTIES OF ANY KIND WHETHER EXPRESS OR IMPLIED, WRITTEN OR ORAL, STATUTORY OR OTHERWISE, RELATED TO THE INFORMATION, INCLUDING BUT NOT LIMITED TO ITS CONDITION, QUALITY, PERFORMANCE, MERCHANTABILITY OR FITNESS FOR PURPOSE. Microchip disclaims all liability arising from this information and its use. Use of Microchip devices in life support and/or safety applications is entirely at the buyer's risk, and the buyer agrees to defend, indemnify and hold harmless Microchip from any and all damages, claims, suits, or expenses resulting from such use. No licenses are conveyed, implicitly or otherwise, under any Microchip intellectual property rights.

Trademarks

The Microchip name and logo, the Microchip logo, dsPIC, FlashFlex, KEELOQ, KEELOQ logo, MPLAB, PIC, PICmicro, PICSTART, PIC³² logo, rPIC, SST, SST Logo, SuperFlash and UNI/O are registered trademarks of Microchip Technology Incorporated in the U.S.A. and other countries.

FilterLab, Hampshire, HI-TECH C, Linear Active Thermistor, MTP, SEEVAL and The Embedded Control Solutions Company are registered trademarks of Microchip Technology Incorporated in the U.S.A.

Silicon Storage Technology is a registered trademark of Microchip Technology Inc. in other countries.


Analog-for-the-Digital Age, Application Maestro, BodyCom, chipKIT, chipKIT logo, CodeGuard, dsPICDEM, dsPICDEM.net, dsPICworks, dsSPEAK, ECAN, ECONOMONITOR, FanSense, HI-TIDE, In-Circuit Serial Programming, ICSP, Mindi, MiWi, MPASM, MPF, MPLAB Certified logo, MPLIB, MPLINK, mTouch, Omniscient Code Generation, PICC, PICC-18, PICDEM, PICDEM.net, PICkit, PICTail, REAL ICE, rLAB, Select Mode, SQI, Serial Quad I/O, Total Endurance, TSHARC, UniWinDriver, WiperLock, ZENA and Z-Scale are trademarks of Microchip Technology Incorporated in the U.S.A. and other countries.

SQTP is a service mark of Microchip Technology Incorporated in the U.S.A.

GestIC and ULPP are registered trademarks of Microchip Technology Germany II GmbH & Co. KG, a subsidiary of Microchip Technology Inc., in other countries.

All other trademarks mentioned herein are property of their respective companies.

© 2014, Microchip Technology Incorporated, Printed in the U.S.A., All Rights Reserved.

 Printed on recycled paper.

ISBN: 978-1-63276-195-8

**QUALITY MANAGEMENT SYSTEM
CERTIFIED BY DNV
= ISO/TS 16949 =**

Microchip received ISO/TS-16949:2009 certification for its worldwide headquarters, design and wafer fabrication facilities in Chandler and Tempe, Arizona; Gresham, Oregon and design centers in California and India. The Company's quality system processes and procedures are for its PIC[®] MCUs and dsPIC[®] DSCs, KEELOQ[®] code hopping devices, Serial EEPROMs, microperipherals, nonvolatile memory and analog products. In addition, Microchip's quality system for the design and manufacture of development systems is ISO 9001:2000 certified.



MICROCHIP

Worldwide Sales and Service

AMERICAS

Corporate Office
2355 West Chandler Blvd.
Chandler, AZ 85224-6199
Tel: 480-792-7200
Fax: 480-792-7277
Technical Support:
[http://www.microchip.com/
support](http://www.microchip.com/support)
Web Address:
www.microchip.com

Atlanta
Duluth, GA
Tel: 678-957-9614
Fax: 678-957-1455

Austin, TX
Tel: 512-257-3370

Boston
Westborough, MA
Tel: 774-760-0087
Fax: 774-760-0088

Chicago
Itasca, IL
Tel: 630-285-0071
Fax: 630-285-0075

Cleveland
Independence, OH
Tel: 216-447-0464
Fax: 216-447-0643

Dallas
Addison, TX
Tel: 972-818-7423
Fax: 972-818-2924

Detroit
Novi, MI
Tel: 248-848-4000

Houston, TX
Tel: 281-894-5983

Indianapolis
Noblesville, IN
Tel: 317-773-8323
Fax: 317-773-5453

Los Angeles
Mission Viejo, CA
Tel: 949-462-9523
Fax: 949-462-9608

New York, NY
Tel: 631-435-6000

San Jose, CA
Tel: 408-735-9110

Canada - Toronto
Tel: 905-673-0699
Fax: 905-673-6509

ASIA/PACIFIC

Asia Pacific Office
Suites 3707-14, 37th Floor
Tower 6, The Gateway
Harbour City, Kowloon
Hong Kong
Tel: 852-2943-5100
Fax: 852-2401-3431

Australia - Sydney
Tel: 61-2-9868-6733
Fax: 61-2-9868-6755

China - Beijing
Tel: 86-10-8569-7000
Fax: 86-10-8528-2104

China - Chengdu
Tel: 86-28-8665-5511
Fax: 86-28-8665-7889

China - Chongqing
Tel: 86-23-8980-9588
Fax: 86-23-8980-9500

China - Hangzhou
Tel: 86-571-8792-8115
Fax: 86-571-8792-8116

China - Hong Kong SAR
Tel: 852-2943-5100
Fax: 852-2401-3431

China - Nanjing
Tel: 86-25-8473-2460
Fax: 86-25-8473-2470

China - Qingdao
Tel: 86-532-8502-7355
Fax: 86-532-8502-7205

China - Shanghai
Tel: 86-21-5407-5533
Fax: 86-21-5407-5066

China - Shenyang
Tel: 86-24-2334-2829
Fax: 86-24-2334-2393

China - Shenzhen
Tel: 86-755-8864-2200
Fax: 86-755-8203-1760

China - Wuhan
Tel: 86-27-5980-5300
Fax: 86-27-5980-5118

China - Xian
Tel: 86-29-8833-7252
Fax: 86-29-8833-7256

China - Xiamen
Tel: 86-592-2388138
Fax: 86-592-2388130

China - Zhuhai
Tel: 86-756-3210040
Fax: 86-756-3210049

ASIA/PACIFIC

India - Bangalore
Tel: 91-80-3090-4444
Fax: 91-80-3090-4123

India - New Delhi
Tel: 91-11-4160-8631
Fax: 91-11-4160-8632

India - Pune
Tel: 91-20-3019-1500

Japan - Osaka
Tel: 81-6-6152-7160
Fax: 81-6-6152-9310

Japan - Tokyo
Tel: 81-3-6880-3770
Fax: 81-3-6880-3771

Korea - Daegu
Tel: 82-53-744-4301
Fax: 82-53-744-4302

Korea - Seoul
Tel: 82-2-554-7200
Fax: 82-2-558-5932 or
82-2-558-5934

Malaysia - Kuala Lumpur
Tel: 60-3-6201-9857
Fax: 60-3-6201-9859

Malaysia - Penang
Tel: 60-4-227-8870
Fax: 60-4-227-4068

Philippines - Manila
Tel: 63-2-634-9065
Fax: 63-2-634-9069

Singapore
Tel: 65-6334-8870
Fax: 65-6334-8850

Taiwan - Hsin Chu
Tel: 886-3-5778-366
Fax: 886-3-5770-955

Taiwan - Kaohsiung
Tel: 886-7-213-7830

Taiwan - Taipei
Tel: 886-2-2508-8600
Fax: 886-2-2508-0102

Thailand - Bangkok
Tel: 66-2-694-1351
Fax: 66-2-694-1350

EUROPE

Austria - Wels
Tel: 43-7242-2244-39
Fax: 43-7242-2244-393

Denmark - Copenhagen
Tel: 45-4450-2828
Fax: 45-4485-2829

France - Paris
Tel: 33-1-69-53-63-20
Fax: 33-1-69-30-90-79

Germany - Dusseldorf
Tel: 49-2129-3766400

Germany - Munich
Tel: 49-89-627-144-0
Fax: 49-89-627-144-44

Germany - Pforzheim
Tel: 49-7231-424750

Italy - Milan
Tel: 39-0331-742611
Fax: 39-0331-466781

Italy - Venice
Tel: 39-049-7625286

Netherlands - Druen
Tel: 31-416-690399
Fax: 31-416-690340

Poland - Warsaw
Tel: 48-22-3325737

Spain - Madrid
Tel: 34-91-708-08-90
Fax: 34-91-708-08-91

Sweden - Stockholm
Tel: 46-8-5090-4654

UK - Wokingham
Tel: 44-118-921-5800
Fax: 44-118-921-5820

03/25/14