

**S29GLxxxM MirrorBit™ Flash Family**  
**S29GL256M, S29GL128M, S29GL064M, S29GL032M**  
256 Megabit, 128 Megabit, 64 Megabit, and 32Megabit,  
3.0 Volt-only Page Mode Flash Memory featuring  
0.23 um MirrorBit process technology



Datasheet

PRELIMINARY

## Distinctive Characteristics

### Architectural Advantages

- **Single power supply operation**
  - 3 volt read, erase, and program operations
- **Manufactured on 0.23 um MirrorBit process technology**
- **SecSi™ (Secured Silicon) Sector region**
  - 128-word/256-byte sector for permanent, secure identification through an 8-word/16-byte random Electronic Serial Number, accessible through a command sequence
  - May be programmed and locked at the factory or by the customer
- **Flexible sector architecture**
  - 256Mb: 512 32 Kword (64 Kbyte) sectors
  - 128Mb: 256 32 Kword (64 Kbyte) sectors
  - 64Mb (uniform sector models): 128 32 Kword (64 Kbyte) sectors or 128 32 Kword sectors
  - 64Mb (boot sector models): 127 32 Kword (64 Kbyte) sectors + 8 4Kword (8Kbyte) boot sectors
  - 32Mb (uniform sector models): 64 32Kword (64 Kbyte) sectors of 64 32Kword sectors
  - 32Mb (boot sector models): 63 32Kword (64 Kbyte) sectors + 8 4Kword (8Kbyte) boot sectors
- **Compatibility with JEDEC standards**
  - Provides pinout and software compatibility for single-power supply flash, and superior inadvertent write protection
- **100,000 erase cycles typical per sector**
- **20-year data retention typical**

### Performance Characteristics

- **High performance**
  - 90 ns access time (128Mb, 64Mb, 32Mb),  
100 ns access time (256Mb)
  - 4-word/8-byte page read buffer
  - 25 ns page read times (128Mb, 64Mb, 32Mb)
  - 30 ns page read times (256Mb)
  - 16-word/32-byte write buffer

- 16-word/32-byte write buffer reduces overall programming time for multiple-word updates

- **Low power consumption (typical values at 3.0 V, 5 MHz)**
  - 18 mA typical active read current (64 Mb, 32 Mb)
  - 25 mA typical active read current (256 Mb, 128 Mb)
  - 50 mA typical erase/program current
  - 1 µA typical standby mode current
- **Package options**
  - 40-pin TSOP
  - 48-pin TSOP
  - 56-pin TSOP
  - 64-ball Fortified BGA
  - 48-ball fine-pitch BGA
  - 63-ball fine-pitch BGA

### Software & Hardware Features

- **Software features**
  - Program Suspend & Resume: read other sectors before programming operation is completed
  - Erase Suspend & Resume: read/program other sectors before an erase operation is completed
  - Data# polling & toggle bits provide status
  - CFI (Common Flash Interface) compliant: allows host system to identify and accommodate multiple flash devices
  - Unlock Bypass Program command reduces overall multiple-word programming time
- **Hardware features**
  - Sector Group Protection: hardware-level method of preventing write operations within a sector group
  - Temporary Sector Unprotect: V<sub>ID</sub>-level method of changing code in locked sectors
  - WP#/ACC input accelerates programming time (when high voltage is applied) for greater throughput during system production. Protects first or last sector regardless of sector protection settings on uniform sector models
  - Hardware reset input (RESET#) resets device
  - Ready/Busy# output (RY/BY#) detects program or erase cycle completion

## General Description

The S29GL256/128/064/032M family of devices are 3.0 V single power Flash memory manufactured using 0.23 um MirrorBit technology. The S29GL256M is a 256 Mbit, organized as 16,777,216 words or 33,554,432 bytes. The S29GL128M is a 128 Mbit, organized as 8,388,608 words or 16,777,216 bytes. The S29GL064M is a 64 Mbit, organized as 4,194,304 words or 8,388,608 bytes. The S29GL032M is a 32 Mbit, organized as 2,097,152 words or 4,194,304 bytes. Depending on the model number, the devices have an 8-bit wide data bus only, 16-bit wide data bus only, or a 16-bit wide data bus that can also function as an 8-bit wide data bus by using the BYTE# input. The devices can be programmed either in the host system or in standard EPROM programmers.

Access times as fast as 90 ns (S29GL128M, S29GL064M, S29GL032M) or 100 ns (S29GL256M) are available. Note that each access time has a specific operating voltage range ( $V_{CC}$ ) as specified in the [Product Selector Guide](#) and the [Ordering Information](#) sections. Package offerings include 40-pin TSOP, 48-pin TSOP, 56-pin TSOP, 48-ball fine-pitch BGA, 63-ball fine-pitch BGA and 64-ball Fortified BGA, depending on model number. Each device has separate chip enable (CE#), write enable (WE#) and output enable (OE#) controls.

Each device requires only a **single 3.0 volt power supply** for both read and write functions. In addition to a  $V_{CC}$  input, a high-voltage **accelerated program (ACC)** feature provides shorter programming times through increased current on the WP#/ACC input. This feature is intended to facilitate factory throughput during system production, but may also be used in the field if desired.

The device is entirely command set compatible with the **JEDEC single-power-supply Flash standard**. Commands are written to the device using standard microprocessor write timing. Write cycles also internally latch addresses and data needed for the programming and erase operations.

The **sector erase architecture** allows memory sectors to be erased and reprogrammed without affecting the data contents of other sectors. The device is fully erased when shipped from the factory.

Device programming and erasure are initiated through command sequences. Once a program or erase operation has begun, the host system need only poll the DQ7 (Data# Polling) or DQ6 (toggle) **status bits** or monitor the **Ready/Busy# (RY/BY#)** output to determine whether the operation is complete. To facilitate programming, an **Unlock Bypass** mode reduces command sequence overhead by requiring only two write cycles to program data instead of four.

**Hardware data protection** measures include a low  $V_{CC}$  detector that automatically inhibits write operations during power transitions. The hardware sector protection feature disables both program and erase operations in any combination of sectors of memory. This can be achieved in-system or via programming equipment.

The **Erase Suspend/Erase Resume** feature allows the host system to pause an erase operation in a given sector to read or program any other sector and then complete the erase operation. The **Program Suspend/Program Resume** feature enables the host system to pause a program operation in a given sector to read any other sector and then complete the program operation.

The **hardware RESET# pin** terminates any operation in progress and resets the device, after which it is then ready for a new operation. The RESET# pin may be tied to the system reset circuitry. A system reset would thus also reset the device,

enabling the host system to read boot-up firmware from the Flash memory device.

The device reduces power consumption in the **standby mode** when it detects specific voltage levels on CE# and RESET#, or when addresses have been stable for a specified period of time.

The **Write Protect (WP#)** feature protects the first or last sector by asserting a logic low on the WP#/ACC pin or WP# pin, depending on model number. The protected sector will still be protected even during accelerated programming.

The **SecSi™ (Secured Silicon) Sector** provides a 128-word/256-byte area for code or data that can be permanently protected. Once this sector is protected, no further changes within the sector can occur.

Spansion MirrorBit flash technology combines years of Flash memory manufacturing experience to produce the highest levels of quality, reliability and cost effectiveness. The device electrically erases all bits within a sector simultaneously via hot-hole assisted erase. The data is programmed using hot electron injection.

# Table of Contents

<b>Product Selector Guide</b> .....	<b>6</b>	Table 15. S29GL032M (Model R0) Sector Group Protection/Unprotection Address Table .....	80
S29GL256M .....	6	Table 16. S29GL032M (Model R1) Top Boot Sector Protection .....	80
S29GL128M .....	6	Table 17. S29GL032M (Model R2) Bottom Boot Sector Protection .....	81
S29GL064M .....	6	Table 18. S29GL032M (Models R3, R4) Sector Group Protection/Unprotection Address Table .....	82
S29GL032M .....	6	Table 19. S29GL065M (Model 00) Sector Group Protection/Unprotection Address Table .....	83
<b>Block Diagram</b> .....	<b>7</b>	Table 20. S29GL064M (Model R1) Top Boot Sector Protection .....	83
<b>Connection Diagrams</b> .....	<b>8</b>	Table 21. S29GL064M (Model R2) Bottom Boot Sector Protection .....	84
For S29GL064M (model R0) only. ....	10	Table 22. S29GL064M (Models R3, R4) Sector Group Protection/Unprotection Address Table .....	85
For S29GL064M (model R0) only. ....	14	Table 23. S29GL064M (Model R5) Sector Group Protection/Unprotection Address Table .....	87
Special Package Handling Instructions .....	15	Table 24. S29GL064M (Models R6, R7) Sector Group Protection/Unprotection Address Table .....	88
For S29GL032M (model R0) only. ....	16	Table 25. S29GL128M Sector Group Protection/Unprotection Address Table .....	88
Logic Symbol-S29GL032M (Model R0) .....	18	Table 26. S29GL256M Sector Group Protection/Unprotection Address Table .....	90
Logic Symbol-S29GL032M (Models R1, R2) .....	18	Temporary Sector Group Unprotect .....	94
Logic Symbol-S29GL032M (Models R3, R4) .....	18	Figure 1. Temporary Sector Group Unprotect Operation .....	94
Logic Symbol-S29GL064M (Models R0) .....	19	Figure 2. In-System Sector Group Protect/Unprotect Algorithms.....	95
Logic Symbol-S29GL064M (Models R1, R2) .....	19	SecSi (Secured Silicon) Sector Flash Memory Region .....	96
Logic Symbol-S29GL064M (Models R3, R4) .....	19	Write Protect (WP#) .....	97
Logic Symbol-S29GL064M (Model R5) .....	20	Hardware Data Protection .....	97
Logic Symbol-S29GL064M (Model R6, R7) .....	20	Low VCC Write Inhibit .....	97
Logic Symbol-S29GL128M .....	20	Write Pulse "Glitch" Protection .....	98
Logic Symbol-S29GL256M .....	21	Logical Inhibit .....	98
<b>Ordering Information-S29GL032M</b> .....	<b>22</b>	Power-Up Write Inhibit .....	98
S29GL032M Standard Products .....	22	<b>Common Flash Memory Interface (CFI)</b> .....	<b>98</b>
<b>Ordering Information-S29GL064M</b> .....	<b>24</b>	Table 28. System Interface String.....	99
S29GL064M Standard Products .....	24	<b>Command Definitions</b> .....	<b>101</b>
<b>Ordering Information-S29GL128M</b> .....	<b>26</b>	Reading Array Data .....	102
S29GL128M Standard Products .....	26	Reset Command .....	102
<b>Ordering Information-S29GL256M</b> .....	<b>27</b>	Autoselect Command Sequence .....	103
S29GL256M Standard Products .....	27	Enter SecSi Sector/Exit SecSi Sector Command Sequence .....	103
<b>Device Bus Operations</b> .....	<b>28</b>	Word Program Command Sequence .....	103
Table 1. Device Bus Operations .....	28	Unlock Bypass Command Sequence .....	104
Word/Byte Configuration .....	29	Write Buffer Programming .....	104
Requirements for Reading Array Data .....	29	Accelerated Program .....	106
Page Mode Read .....	29	Figure 3. Write Buffer Programming Operation.....	107
Writing Commands/Command Sequences .....	29	Figure 4. Program Operation .....	108
Write Buffer .....	30	Program Suspend/Program Resume Command Sequence .....	108
Accelerated Program Operation .....	30	Figure 5. Program Suspend/Program Resume.....	109
Autoselect Functions .....	30	Chip Erase Command Sequence .....	109
Standby Mode .....	30	Sector Erase Command Sequence .....	110
Automatic Sleep Mode .....	31	Figure 6. Erase Operation .....	111
RESET#: Hardware Reset Pin .....	31	Erase Suspend/Erase Resume Commands .....	111
Output Disable Mode .....	31	Command Definitions .....	113
Table 2. S29GL032M (Model R0) Sector Address Table .....	32	Table 31. Command Definitions (x16 Mode, BYTE# = V <sub>IH</sub> ) ....	113
Table 3. S29GL032M (Models R1, R2) Sector Address Table ....	34	Table 32. Command Definitions (x8 Mode, BYTE# = V <sub>IL</sub> ) .....	114
Table 4. S29GL032M (Model R3) Top Boot Sector Architecture .....	36	Write Operation Status .....	115
Table 5. S29GL032M (Model R4) Bottom Boot Sector Architecture .....	38	DQ7: Data# Polling .....	115
Table 6. S29GL064M (Model R0) Sector Address Table .....	40	Figure 7. Data# Polling Algorithm .....	116
Table 7. S29GL064M (Model R1, R2) Sector Address Table ....	44	RY/BY#: Ready/Busy# .....	116
Table 8. S29GL064M (Model R3) Top Boot Sector Architecture .....	47	DQ6: Toggle Bit I .....	117
Table 9. S29GL064M (Model R4) Bottom Boot Sector Architecture .....	51		
Table 10. S29GL064M (Model R5) Sector Address Table .....	55		
Table 11. S29GL064M (Model R6, R7) Sector Address Table ....	58		
Table 12. S29GL128M Sector Address Table .....	61		
Table 13. S29GL256M Sector Address Table .....	67		
Autoselect Mode .....	78		
Table 14. Autoselect Codes, (High Voltage Method) .....	79		
Sector Group Protection and Unprotection .....	79		

Figure 8. Toggle Bit Algorithm.....	118
DQ2: Toggle Bit II .....	118
Reading Toggle Bits DQ6/DQ2 .....	119
DQ5: Exceeded Timing Limits .....	119
DQ3: Sector Erase Timer .....	119
DQ1: Write-to-Buffer Abort .....	120
Table 33. Write Operation Status .....	120
Figure 9. Maximum Negative Overshoot Waveform .....	121
Figure 10. Maximum Positive Overshoot Waveform .....	121
<b>Operating Ranges .....</b>	<b>121</b>
<b>DC Characteristics .....</b>	<b>122</b>
<b>Test Conditions .....</b>	<b>123</b>
Figure 11. Test Setup .....	123
Table 34. Test Specifications .....	123
<b>Key to Switching Waveforms .....</b>	<b>123</b>
Figure 12. Input Waveforms and Measurement Levels.....	123
<b>AC Characteristics .....</b>	<b>124</b>
Read-Only Operations-S29GL256M only .....	124
Read-Only Operations-S29GLI28M only .....	124
Read-Only Operations-S29GL064M only .....	125
Read-Only Operations-S29GL032M only .....	125
Figure 13. Read Operation Timings.....	126
Figure 14. Page Read Timings.....	126
Hardware Reset (RESET#) .....	127
Figure 15. Reset Timings.....	127
Erase and Program Operations-S29GL256M only .....	128
Erase and Program Operations-S29GLI28M only .....	129
Erase and Program Operations-S29GL064M only .....	130
Erase and Program Operations-S29GL032M only .....	131
Figure 16. Program Operation Timings .....	132
Figure 17. Accelerated Program Timing Diagram .....	132
Figure 18. Chip/Sector Erase Operation Timings.....	133
Figure 19. Data# Polling Timings (During Embedded Algorithms) .....	134
Figure 20. Toggle Bit Timings (During Embedded Algorithms) .....	135
Figure 21. DQ2 vs. DQ6 .....	135

Temporary Sector Unprotect .....	136
Figure 22. Temporary Sector Group Unprotect Timing Diagram .....	136
Figure 23. Sector Group Protect and Unprotect Timing Diagram .....	137
Alternate CE# Controlled Erase and Program Operations-S29GL256M .....	138
Alternate CE# Controlled Erase and Program Operations-S29GLI28M .....	139
Alternate CE# Controlled Erase and Program Operations-S29GL064M .....	140
Alternate CE# Controlled Erase and Program Operations-S29GL032M .....	141
Figure 24. Alternate CE# Controlled Write (Erase/Program) Operation Timings.....	142
<b>Erase And Programming Performance .....</b>	<b>143</b>
<b>TSOP Pin and BGA Package Capacitance .....</b>	<b>144</b>
<b>Physical Dimensions .....</b>	<b>145</b>
TS040—40-Pin Standard Thin Small Outline Package .....	145
TS048—48-Pin Standard/Reverse Thin Small Outline Package (TSOP) .....	147
TSR048—48-Pin Standard/Reverse Thin Small Outline Package (TSOP) .....	148
TS056/TSR056—56-Pin Standard/Reverse Thin Small Outline Package (TSOP) .....	149
LAA064—64-Ball Fortified Ball Grid Array (FBGA) .....	150
LAC064—64-Pin 18 x 12 mm package .....	151
FBA048—48-Pin 6.15 x 8.15 mm package .....	152
FBC048—48-Pin 8 x 9 mm package .....	153
FBE063—63-Pin 12 x 11 mm package .....	154
FPT-48P-M19 .....	155
FPT-56P-M01 .....	156
BGA-48P-M20 .....	157
<b>Revision Summary .....</b>	<b>158</b>
Pin Description .....	159
Logic Symbols .....	160

## Product Selector Guide

### S29GL256M

Part Number	S29GL256M	
Speed Option	<b>10</b>	<b>11</b>
Max. Access Time (ns)	100	110
Max. CE# Access Time (ns)	100	110
Max. Page Access Time (ns)	30	30
Max. OE# Access Time (ns)	30	30

### S29GL128M

Part Number	S29GL128M	
Speed Option	<b>90</b>	<b>10</b>
Max. Access Time (ns)	90	100
Max. CE# Access Time (ns)	90	100
Max. Page Access Time (ns)	25	30
Max. OE# Access Time (ns)	25	30

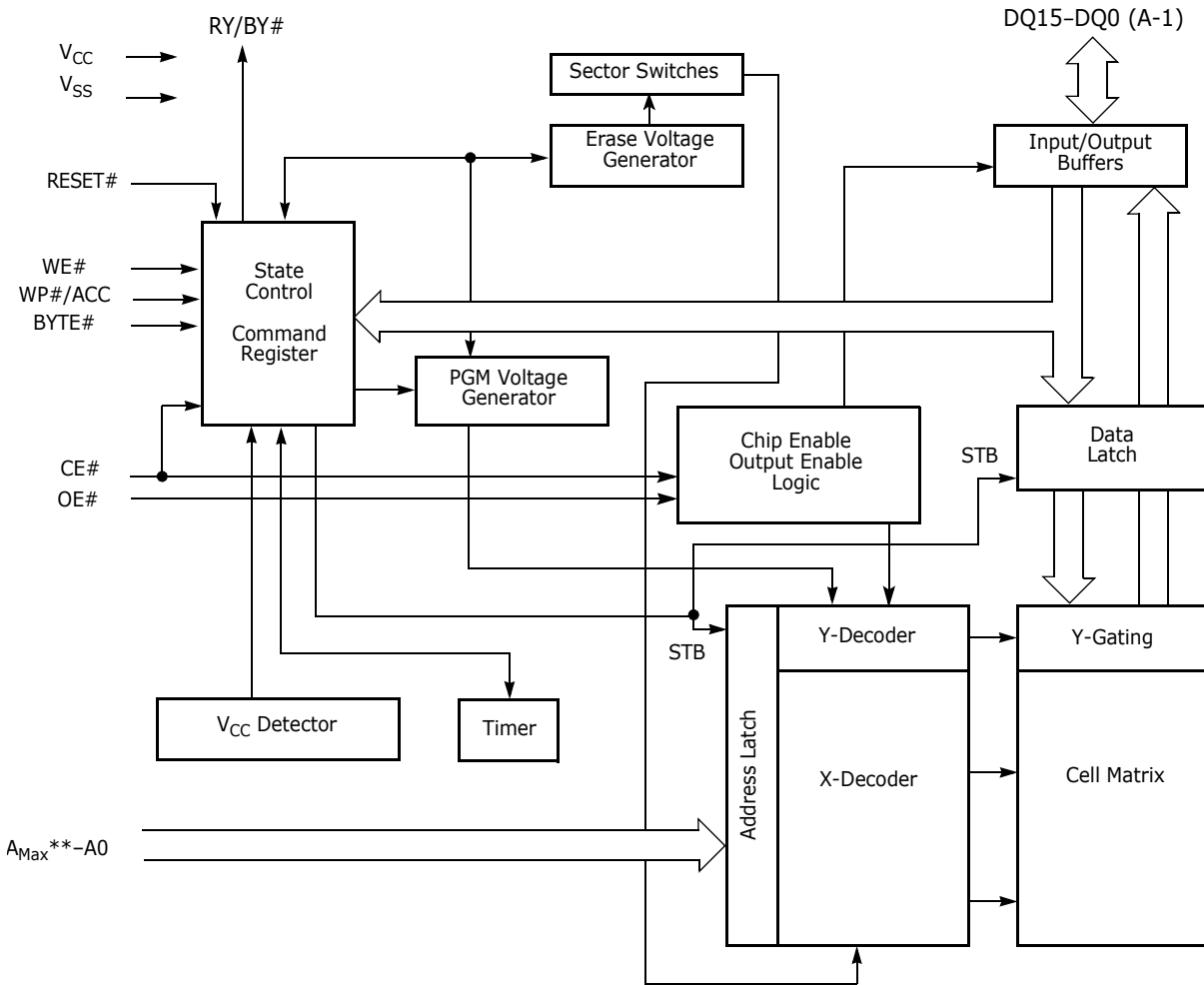
### S29GL064M

Part Number	S29GL064M		
Speed Option	<b>90</b>	<b>10</b>	<b>11</b>
Max. Access Time (ns)	90	100	110
Max. CE# Access Time (ns)	90	100	110
Max. Page Access Time (ns)	25	30	30
Max. OE# Access Time (ns)	25	30	30

### S29GL032M

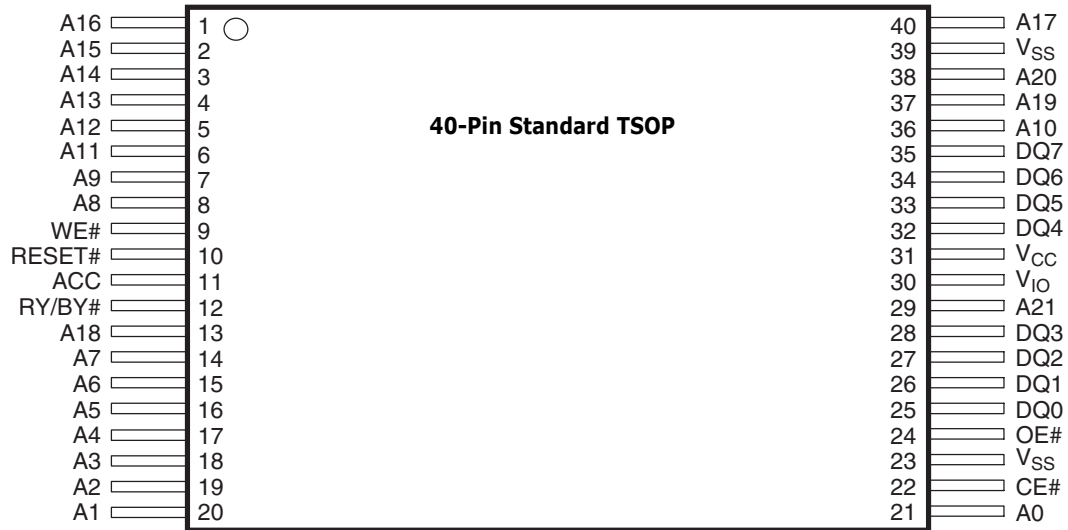
Part Number	S29GL032M		
Speed Option	<b>90</b>	<b>10</b>	<b>11</b>
Max. Access Time (ns)	90	100	110
Max. CE# Access Time (ns)	90	100	110
Max. Page Access Time (ns)	25	30	30
Max. OE# Access Time (ns)	25	30	30

## Block Diagram



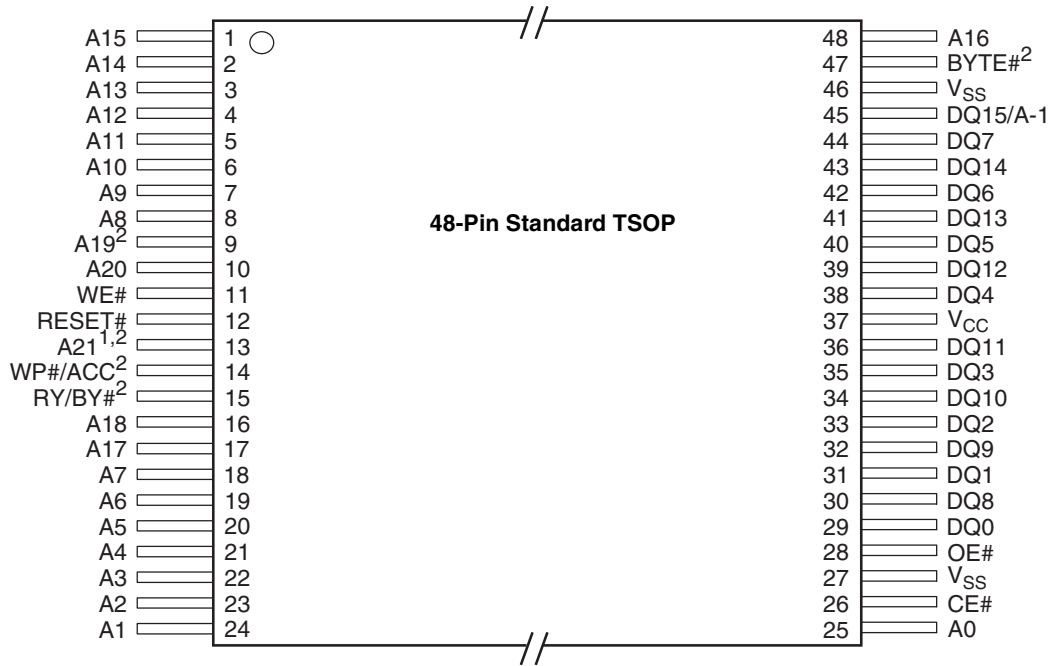
\*\*  $A_{Max}$  GL256M = A23,  $A_{Max}$  GL128M = A22,  $A_{Max}$  GL064M = A21 ( $A_{Max}$  GL064M-00 = A22),  
 $A_{Max}$  GL032M = A20 ( $A_{Max}$  GL032M-00 = A21)

## Connection Diagrams





## Connection Diagrams

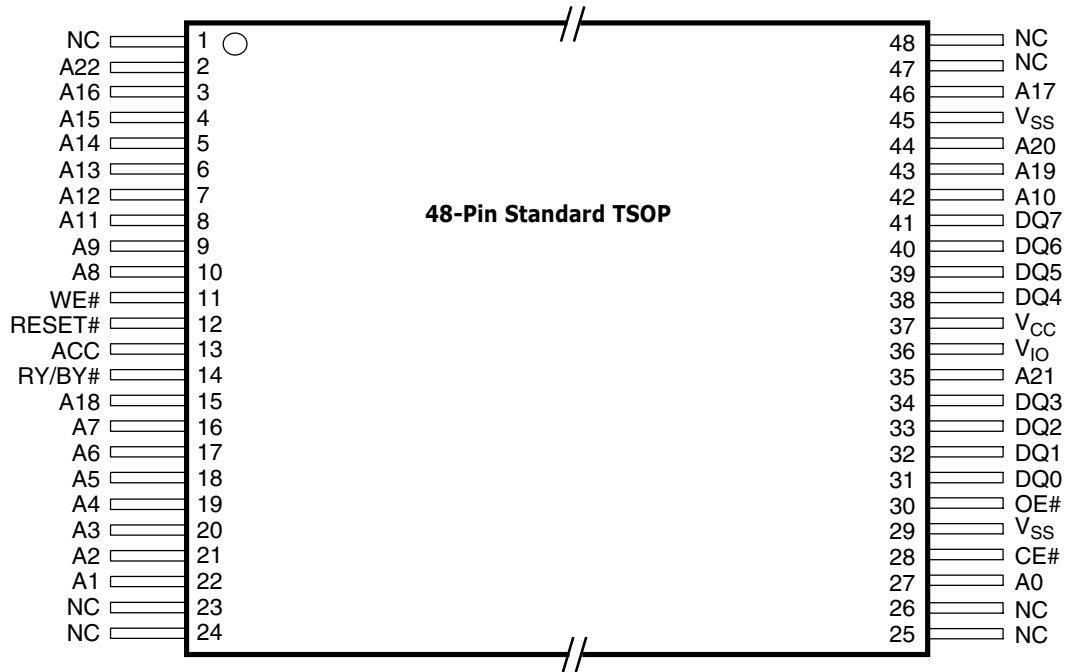


**Notes:**

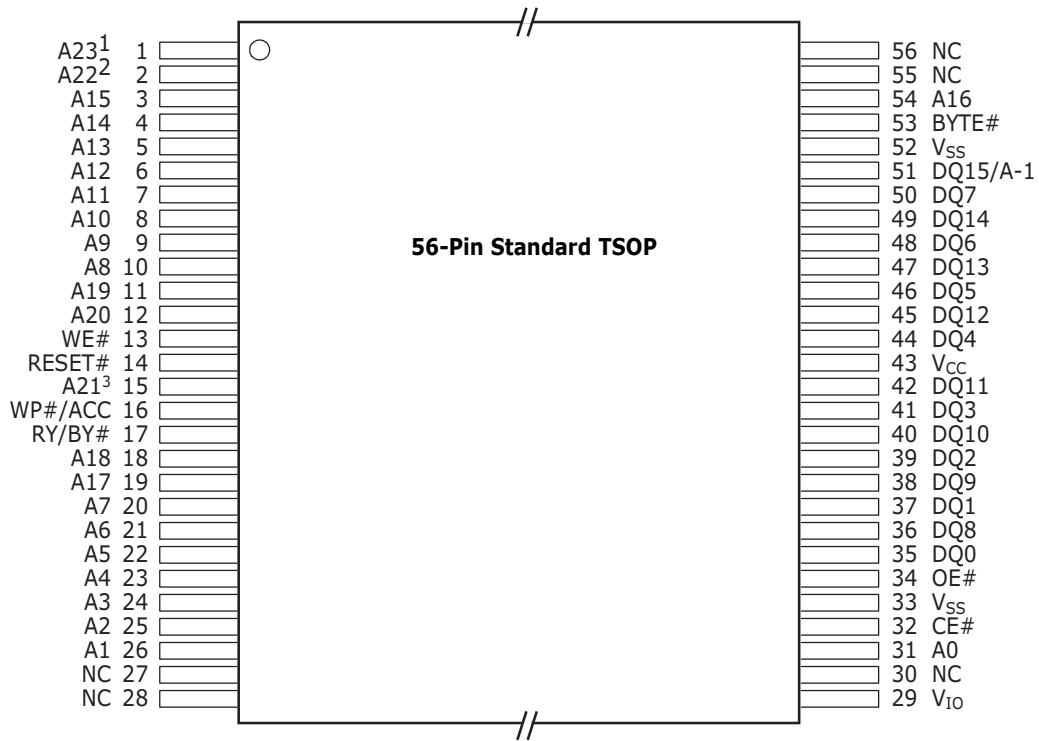
1. Pin 13 is NC on S29GL032M.
2. Pin 9 is A21, Pin 13 is ACC, Pin 14 is WP#, Pin 15 is A19, and Pin 47 is V<sub>IO</sub> on S29GL064M (models R6, R7).

## Connection Diagrams

For S29GL064M (model R0) only.



## Connection Diagrams

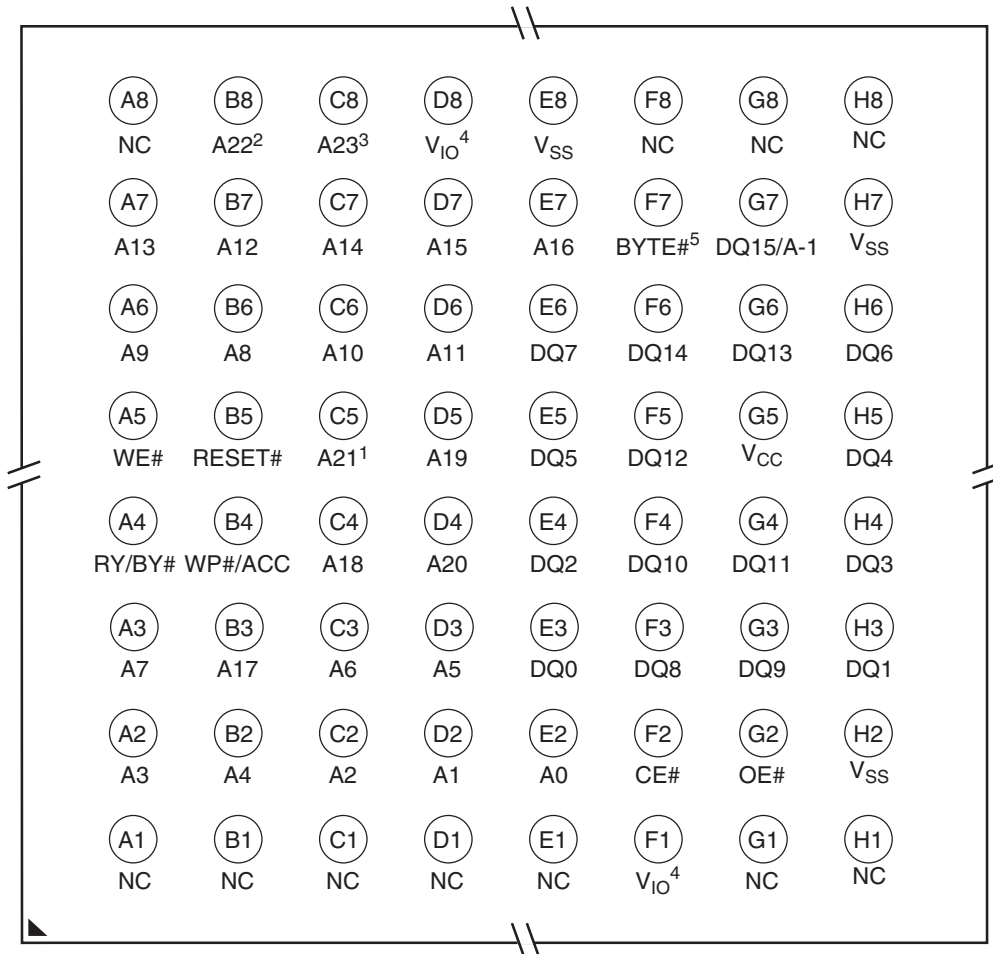


**Notes:**

1. Pin 1 is NC on S29GL128M, 29GL064M, and S29GL032M.
2. Pin 2 is NC on S29GL064M, and S29GL032M.
3. Pin 15 is NC on S29GL032M.

## Connection Diagrams

**64-ball Fortified BGA**  
Top View, Balls Facing Down



**Notes:**

1. Ball C5 is NC on S29GL032M.
2. Ball B8 is NC on S29GL064M and S29GL032M.
3. Ball C8 is NC on S29GL128M, S29GL064M and S29GL032M.
4. Ball D8 and Ball F1 are NC on S29GL064M (models R3, R4).
5. Ball F7 is NC on S29GL064M (model R5).

### Special Package Handling Instructions

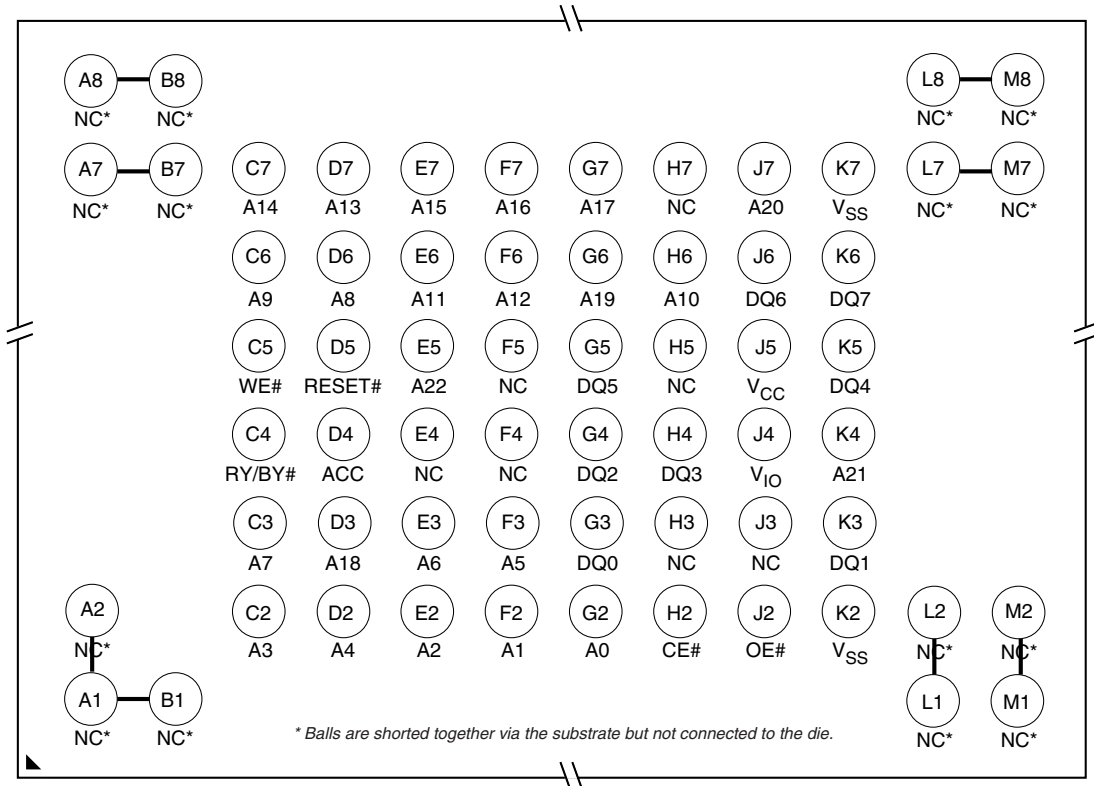
Special handling is required for Flash Memory products in moulded packages (TSOP and BGA). The package and/or data integrity may be compromised if the package body is exposed to temperatures above 150°C for prolonged periods of time.



## Connection Diagrams

For S29GL064M (model R0) only.

**63-Ball Fine-Pitch BGA**  
Top View, Balls Facing Down

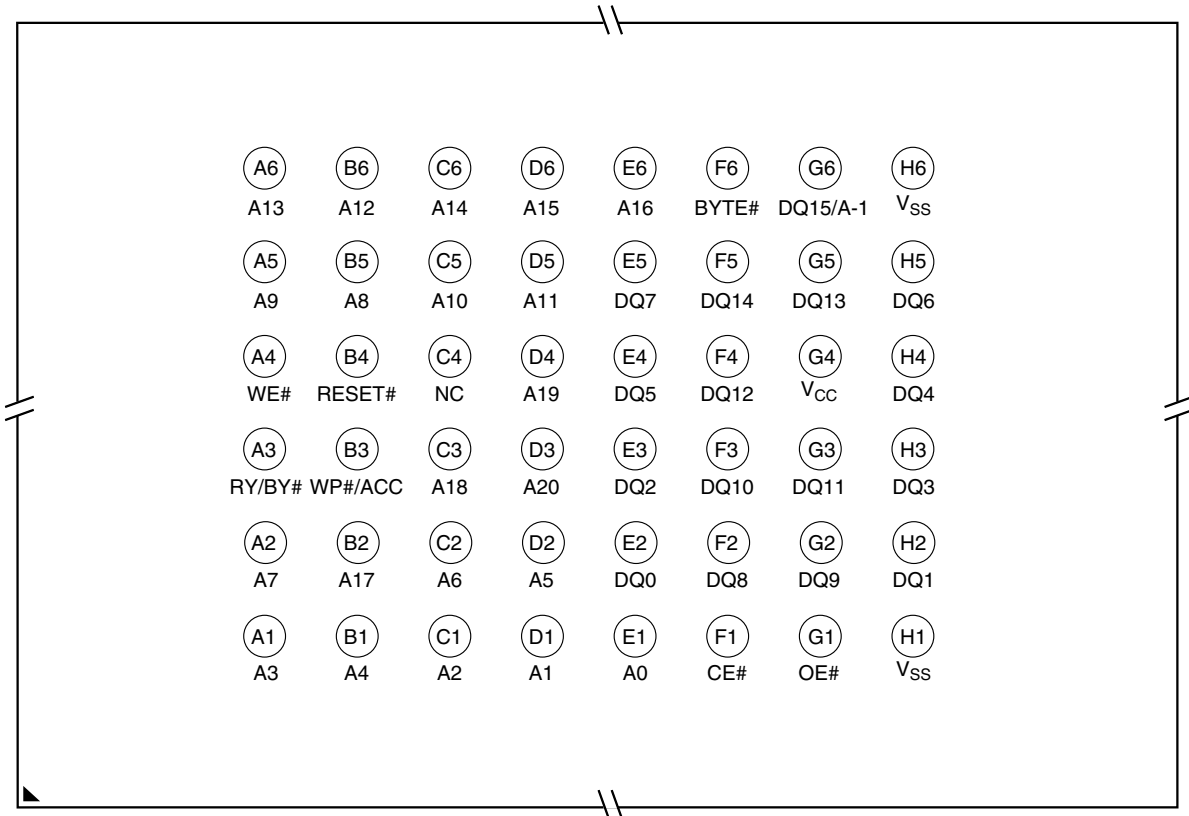


## Special Package Handling Instructions

Special handling is required for Flash Memory products in molded packages (TSOP and BGA). The package and/or data integrity may be compromised if the package body is exposed to temperatures above 150°C for prolonged periods of time.

## Connection Diagrams

**48-ball Fine-pitch BGA**  
Top View, Balls Facing Down



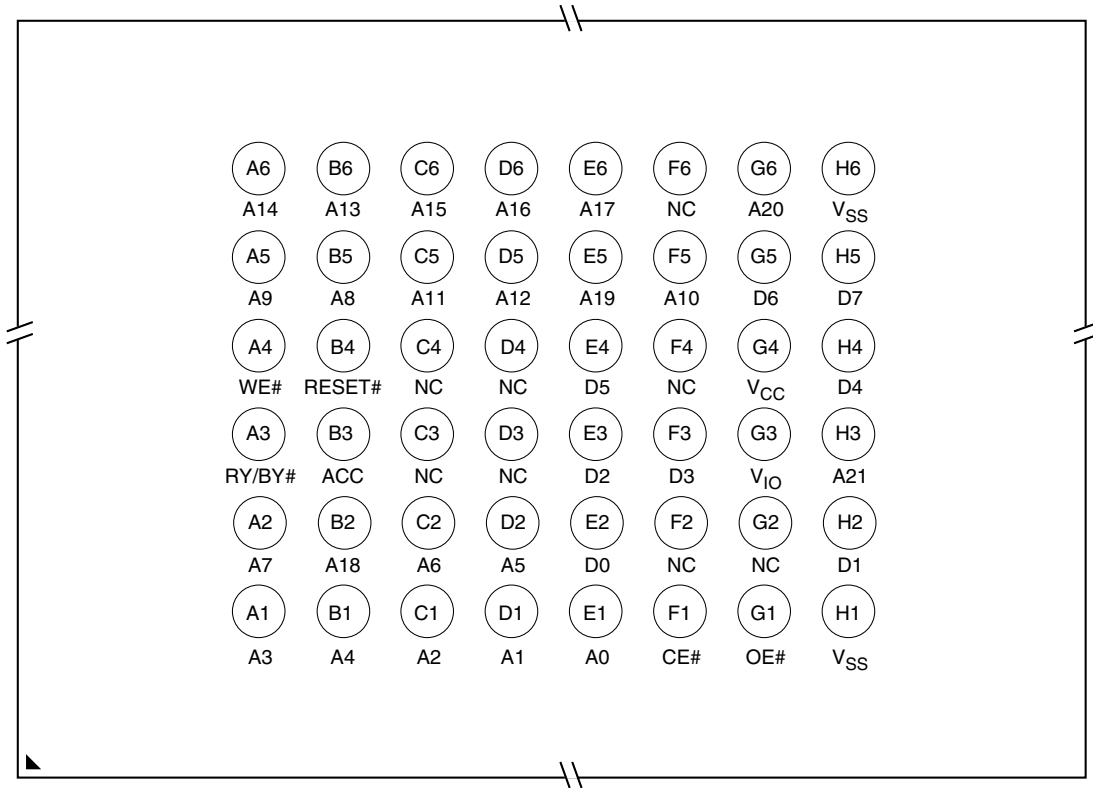
### Special Package Handling Instructions

Special handling is required for Flash Memory products in molded packages (TSOP and BGA). The package and/or data integrity may be compromised if the package body is exposed to temperatures above 150°C for prolonged periods of time.

## Connection Diagrams

For S29GL032M (model R0) only.

**48-Ball Fine-Pitch BGA**  
Top View, Balls Facing Down



## Special Package Handling Instructions

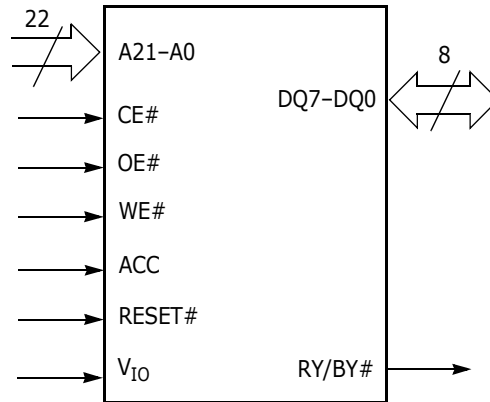
Special handling is required for Flash Memory products in molded packages (TSOP and BGA). The package and/or data integrity may be compromised if the package body is exposed to temperatures above 150°C for prolonged periods of time.



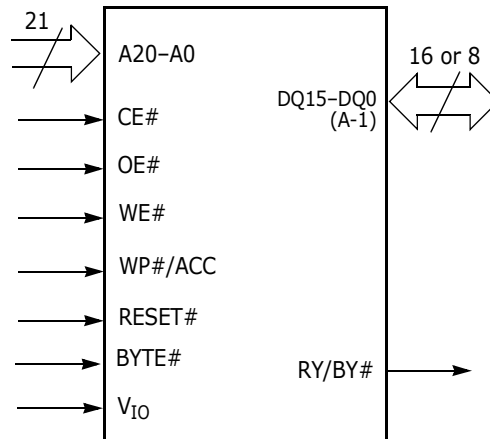
## Pin Description

A23-A0	=	24 Address inputs
A22-A0	=	23 Address inputs
A21-A0	=	22 Address inputs
A20-A0	=	21 Address inputs
DQ7-DQ0	=	8 Data inputs/outputs
DQ14-DQ0	=	15 Data inputs/outputs
DQ15/A-1	=	DQ15 (Data input/output, word mode), A-1 (LSB Address input, byte mode)
CE#	=	Chip Enable input
OE#	=	Output Enable input
WE#	=	Write Enable input
WP#/ACC	=	Hardware Write Protect input/Programming Acceleration input
ACC	=	Acceleration input
WP#	=	Hardware Write Protect input
RESET#	=	Hardware Reset Pin input
RY/BY#	=	Ready/Busy output
BYTE#	=	Selects 8-bit or 16-bit mode
V <sub>CC</sub>	=	3.0 volt-only single power supply (see Product Selector Guide for speed options and voltage supply tolerances)
V <sub>SS</sub>	=	Device Ground
NC	=	Pin Not Connected Internally
V <sub>IO</sub>	=	Output Buffer Power

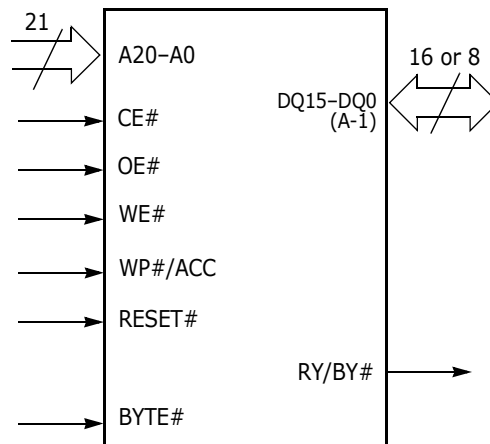
### Logic Symbol-S29GL032M (Model R0)



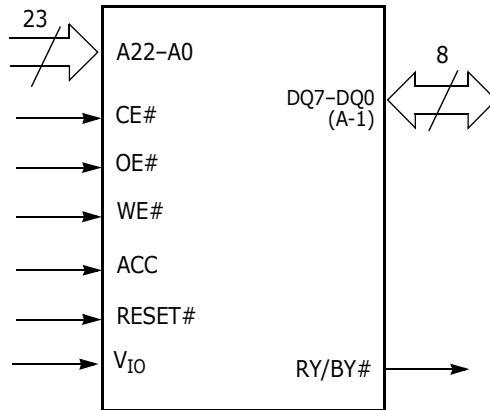
### Logic Symbol-S29GL032M (Models R1, R2)



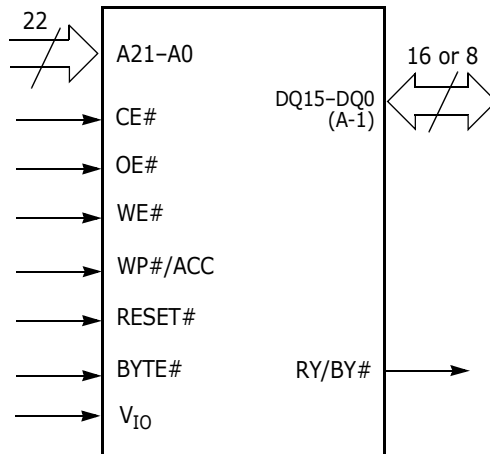
### Logic Symbol-S29GL032M (Models R3, R4)



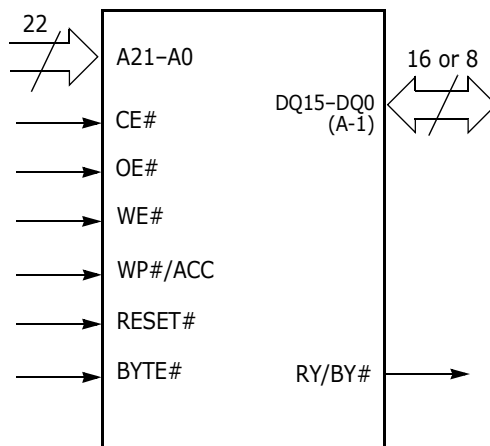
**Logic Symbol-S29GL064M (Models R0)**



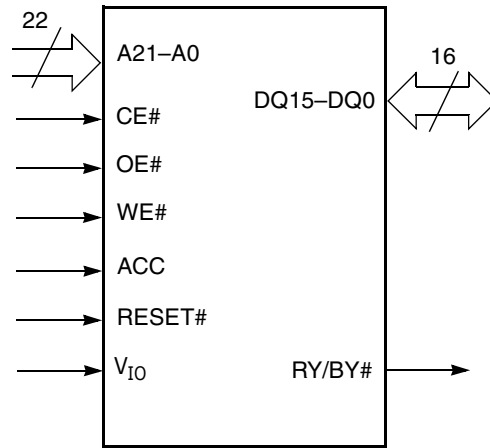
**Logic Symbol-S29GL064M (Models R1, R2)**



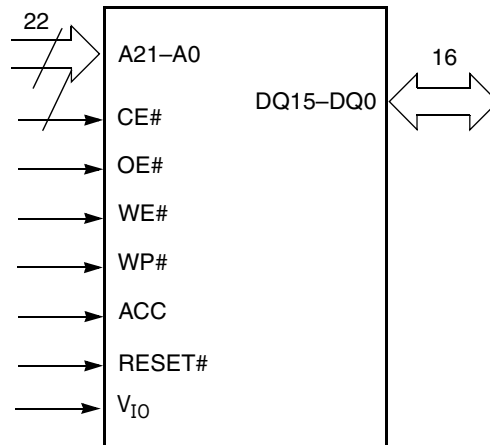
**Logic Symbol-S29GL064M (Models R3, R4)**



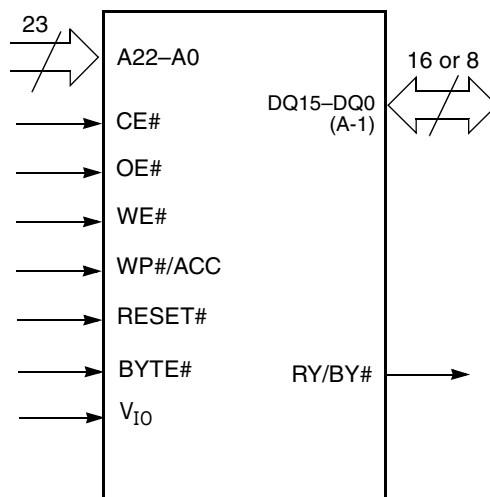
**Logic Symbol-S29GL064M (Model R5)**



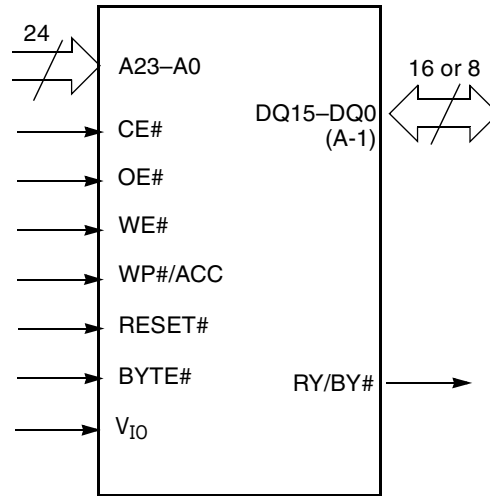
**Logic Symbol-S29GL064M (Model R6, R7)**



**Logic Symbol-S29GL128M**



### Logic Symbol-S29GL256M



## Ordering Information-S29GL032M

### S29GL032M Standard Products

Standard products are available in several packages and operating ranges. The order number (Valid Combination) is formed by a combination of the following:

S29GL032M	I0	T	A	I	RI	2
						<b>PACKAGE TYPE</b> 0 = Tray 2 = 7" Tape and Reel 3 = 13" Tape and Reel
						<b>MODEL NUMBER</b> R0 = x8, V <sub>CC</sub> =3.0-3.6V, Uniform sector device R1 = x8/x16, V <sub>CC</sub> =3.0-3.6V, Uniform sector device, highest address sector protected when WP#/ACC=V <sub>IL</sub> R2 = x8/x16, V <sub>CC</sub> =3.0-3.6V, Uniform sector device, lowest address sector protected when WP#/ACC=V <sub>IL</sub> R3 = x8/x16, V <sub>CC</sub> =3.0-3.6V, Top boot sector device, top two address sectors protected when WP#/ACC=V <sub>IL</sub> R4 = x8/x16, V <sub>CC</sub> =3.0-3.6V, Bottom boot sector device, bottom two address sectors protected when WP#/ACC=V <sub>IL</sub> R5 = x8/x16, V <sub>CC</sub> =3.0-3.6V, Top boot sector device, top two address sectors protected when WP#/ACC=V <sub>IL</sub> , BGA-48P-M20 package only R6 = x8/x16, V <sub>CC</sub> =3.0-3.6V, Bottom boot sector device, bottom two address sectors protected when WP#/ACC=V <sub>IL</sub> BGA-48P-M20 package only
						<b>TEMPERATURE RANGE</b> I = Industrial (-40°C to +85°C)
						<b>PACKAGE MATERIAL SET</b> A = Standard F = Pb-Free B = Standard C = Pb-Free
						<b>PACKAGE TYPE</b> T = Thin Small Outline Package (TSOP) Standard Pinout B = Fine-pitch Ball-Grid Array Package F = Fortified Ball-Grid Array Package
						<b>SPEED OPTION</b> See Product Selector Guide and Valid Combinations
						<b>DEVICE NUMBER/DESCRIPTION</b> S29GL032M 32 Megabit Page-Mode Flash Memory Manufactured using 0.23 um MirrorBit™ Process Technology, 3.0 Volt-only Read, Program, and Erase

Valid Combinations for TSOP Package			Package	Notes
S29GL032M10 S29GL032M11	TAI TFI	R0	TS040	(1)
	TAI TFI	R1 R2	TS056	(1)
	TAI TFI	R3 R4	TS048	(1)
	TBI TCI	R3 R4	FPT-48P-M19	

The TSOP package marking appears as the first 16 characters of the OPN. For example, the package marking for OPN S29GL032M10TAIR00 is "S29GL032M10TAIR0."

Valid Combinations for BGA Package			Package	Notes
S29GL032M10 S29GL032M11	BAI BFI	R0	FBC048	
	FAI FFI	R1 R2	LAA064	
	BAI BFI	R3 R4	FBC048	
	FAI FFI		LAA064	
	BAI BFI	R5 R6	BGA-48P-M20	

The BGA package marking appears as characters 4-16 of the OPN. For example, the package marking for OPN S29GL032M10BAIR00 is "GL032M10BAIR0."

**Valid Combinations**

Valid Combinations list configurations planned to be supported in volume for this device. Consult your local sales office to confirm availability of specific valid combinations and to check on newly released combinations.

**Note:**

1. This package is recommended for new designs using TSOPs.
2. For availability of ordering numbers beginning with S29GL032M90 and S29GL032M95, please contact your local sales representative.

## Ordering Information-S29GL064M

### S29GL064M Standard Products

Standard products are available in several packages and operating ranges. The order number (Valid Combination) is formed by a combination of the following:

S29GL064M	90	T	A	I	RI	2
						<p><b>PACKAGE TYPE</b></p> <p>0 = Tray 2 = 7" Tape and Reel 3 = 13" Tape and Reel</p> <p><b>MODEL NUMBER</b></p> <p>R0 = x8, V<sub>CC</sub>=3.0-3.6V, Uniform sector device R1 = x8/x16, V<sub>CC</sub>=3.0-3.6V, Uniform sector device, highest address sector protected when WP#/ACC=V<sub>IL</sub> R2 = x8/x16, V<sub>CC</sub>=3.0-3.6V, Uniform sector device, lowest address sector protected when WP#/ACC=V<sub>IL</sub> R3 = x8/x16, V<sub>CC</sub>=3.0-3.6V, Top boot sector device, top two address sectors protected when WP#/ACC=V<sub>IL</sub> R4 = x8/x16, V<sub>CC</sub>=3.0-3.6V, Bottom boot sector device, bottom two address sectors protected when WP#/ACC=V<sub>IL</sub> R5 = x16, V<sub>CC</sub>=3.0-3.6V, Uniform sector device R6 = x16, V<sub>CC</sub>=3.0-3.6V, Uniform sector device, highest address sector protected when WP#=V<sub>IL</sub> R7 = x16, V<sub>CC</sub>=3.0-3.6V, Uniform sector device, lowest address sector protected when WP#=V<sub>IL</sub> R8 = x8/x16, V<sub>CC</sub>=3.0-3.6V, Uniform sector device, highest address sector protected when WP#/ACC=V<sub>IL</sub>, FPT-56P-M01 package only R9 = x8/x16, V<sub>CC</sub>=3.0-3.6V, Uniform sector device, lowest address sector protected when WP#/ACC=V<sub>IL</sub>, FPT-56P-M01 package only</p> <p><b>TEMPERATURE RANGE</b></p> <p>I = Industrial (-40°C to +85°C)</p> <p><b>PACKAGE MATERIAL SET</b></p> <p>A = Standard F = Pb-Free B = Standard C = Pb-Free D = Pb-Free</p> <p><b>PACKAGE TYPE</b></p> <p>T = Thin Small Outline Package (TSOP) Standard Pinout B = Fine-pitch Ball-Grid Array Package F = Fortified Ball-Grid Array Package</p> <p><b>SPEED OPTION</b></p> <p>See Product Selector Guide and Valid Combinations</p>
<p><b>DEVICE NUMBER/DESCRIPTION</b></p> <p>S29GL064M 64 Megabit Page-Mode Flash Memory Manufactured using 0.23 um MirrorBit™ Process Technology, 3.0 Volt-only Read, Program, and Erase</p>						



Valid Combinations for TSOP Package		Package	Notes
S29GL064M90 S29GL064M10 S29GL064M11	TAI TFI	R0 R3 R4 R6 R7	TS048     (1)
	TAI TFI	R1 R2	TS056  (1)
	TBI TCI	R2 R7	FPT-48P-M19
	TAI TDI	R9	FPT-56P-M01

The TSOP package marking appears as the first 16 characters of the OPN. For example, the package marking for OPN S29GL064M90TAIR10 is "S29GL064M90TAIR1."

Valid Combinations for BGA Package		Package	Notes
S29GL064M90 S29GL064M10 S29GL064M11	BAI BFI	R0 R3 R4 R5	FBE063
	FAI FFI	R1 R2 R3 R4 R5	LAA064

The BGA package marking appears as characters 4-16 of the OPN. For example, the package marking for OPN S29GL064M90BAIR00 is "GL064M90BAIR0."

**Valid Combinations**

Valid Combinations list configurations planned to be supported in volume for this device. Consult your local sales office to confirm availability of specific valid combinations and to check on newly released combinations.

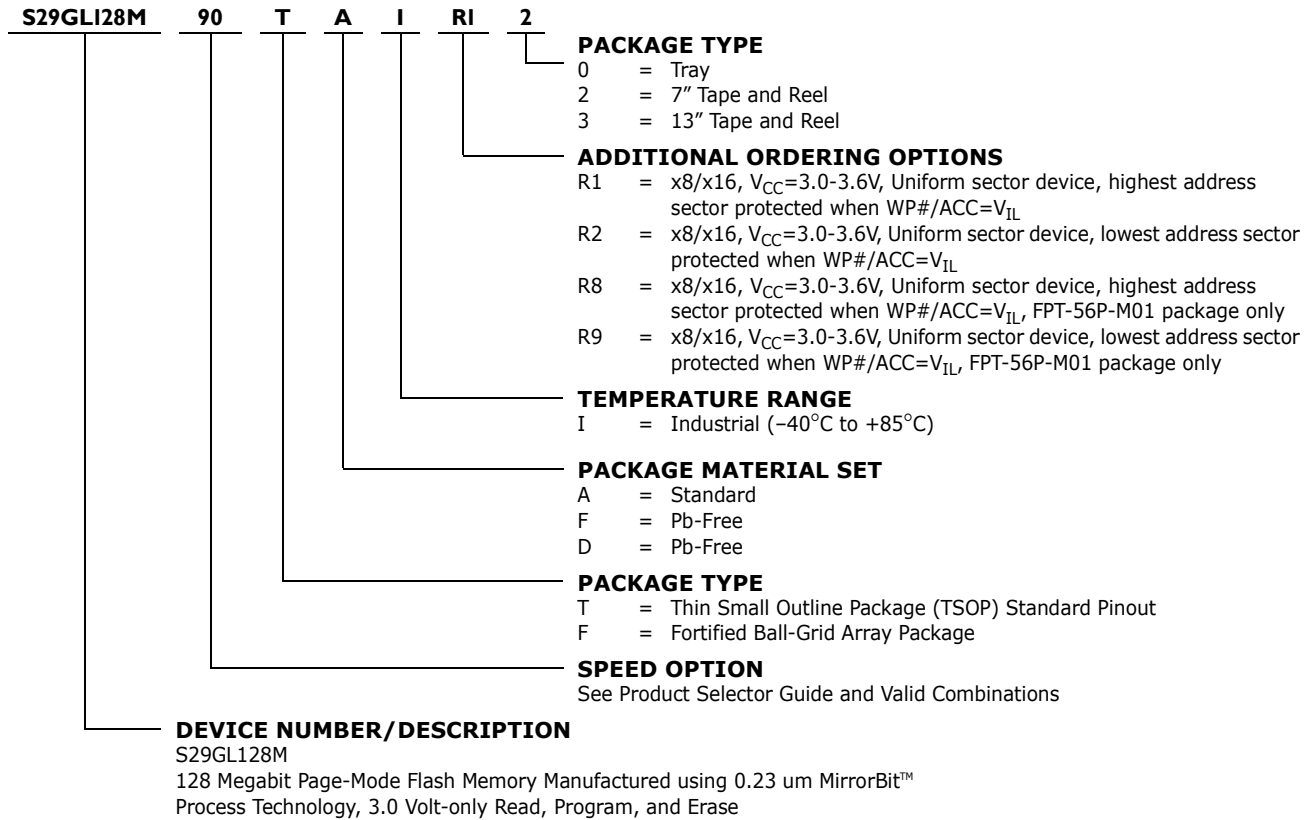
**Note:**

1. This package is recommended for new designs using TSOPs.

# Ordering Information-S29GL128M

## S29GL128M Standard Products

Standard products are available in several packages and operating ranges. The order number (Valid Combination) is formed by a combination of the following:



Valid Combinations for TSOP Package			Package	Notes
S29GL128M90 S29GL128M10	TAI TFI	R1 R2	TS056	(1)
	TAI TDI	R9	FPT-56P-M01	

The TSOP package marking appears as the first 16 characters of the OPN. For example, the package marking for OPN S29GL128M90TAIR10 is "S29GL128M90TAIR1."

Valid Combinations for BGA Package			Package	Notes
S29GL0128M90 S29GL0128M10	FAI FFI	R1 R2	LAA064	

The BGA package marking appears as characters 4-16 of the OPN. For example, the package marking for OPN S29GL128M90FAIR10 is "GL128M90FAIR1."

### Valid Combinations

Valid Combinations list configurations planned to be supported in volume for this device. Consult your local sales office to confirm availability of specific valid combinations and to check on newly released combinations.

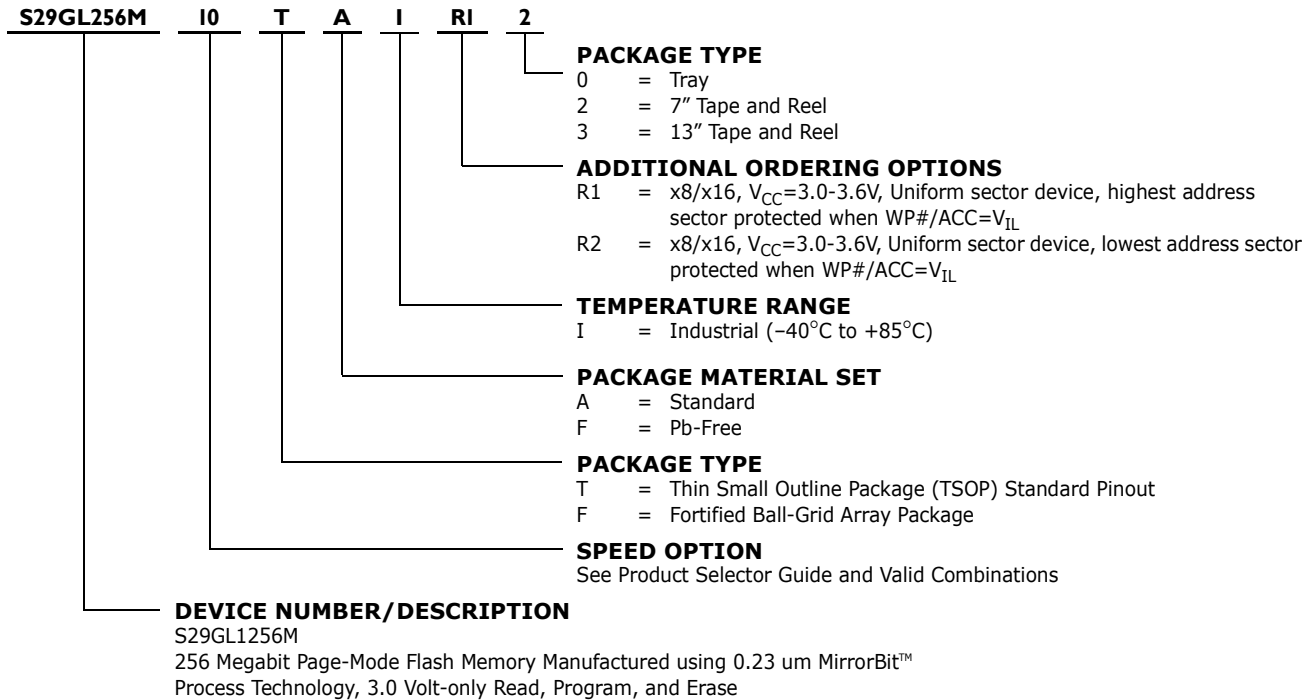
**Note:**

1. This package is recommended for new designs using TSOPs.

# Ordering Information-S29GL256M

## S29GL256M Standard Products

Standard products are available in several packages and operating ranges. The order number (Valid Combination) is formed by a combination of the following:



Valid Combinations for TSOP Package			Package	Notes
S29GL256M10	TAI	R1	TS056	
S29GL256M11	TFI	R2		

The TSOP package marking appears as the first 16 characters of the OPN. For example, the package marking for OPN S29GL256M10TAIR10 is "S29GL256M10TAIR1."

Valid Combinations for BGA Package			Package	Notes
S29GL0256M10	FAI	R1	LAC064	
S29GL0256M11	FFI	R2		

The BGA package marking appears as characters 4-16 of the OPN. For example, the package marking for OPN S29GL256M10FAIR10 is "GL256M10FAIR1."

### Valid Combinations

Valid Combinations list configurations planned to be supported in volume for this device. Consult your local sales office to confirm availability of specific valid combinations and to check on newly released combinations.

## Device Bus Operations

This section describes the requirements and use of the device bus operations, which are initiated through the internal command register. The command register itself does not occupy any addressable memory location. The register is a latch used to store the commands, along with the address and data information needed to execute the command. The contents of the register serve as inputs to the internal state machine. The state machine outputs dictate the function of the device. Table 1 lists the device bus operations, the inputs and control levels they require, and the resulting output. The following subsections describe each of these operations in further detail.

**Table 1. Device Bus Operations**

Operation	CE#	OE#	WE #	RESET#	WP#	ACC	Addresses (Note 1)	DQ0-DQ7	DQ8-DQ15	
									BYTE# = V <sub>IH</sub>	BYTE# = V <sub>IL</sub>
Read	L	L	H	H	X	X	A <sub>IN</sub>	D <sub>OUT</sub>	D <sub>OUT</sub>	DQ8-DQ14 = High-Z, DQ15 = A-1
Write (Program/Erase)	L	H	L	H	(Note 3)	X	A <sub>IN</sub>	(Note 4)	(Note 4)	
Accelerated Program	L	H	L	H	(Note 3)	V <sub>HH</sub>	A <sub>IN</sub>	(Note 4)	(Note 4)	
Standby	V <sub>CC</sub> ± 0.3 V	X	X	V <sub>CC</sub> ± 0.3 V	X	H	X	High-Z	High-Z	High-Z
Output Disable	L	H	H	H	X	X	X	High-Z	High-Z	High-Z
Reset	X	X	X	L	X	X	X	High-Z	High-Z	High-Z
Sector Group Protect (Note 2)	L	H	L	V <sub>ID</sub>	H	X	SA, A6=L, A3=L, A2=L, A1=H, A0=L	(Note 4)	X	X
Sector Group Unprotect (Note 2)	L	H	L	V <sub>ID</sub>	H	X	SA, A6=H, A3=L, A2=L, A1=H, A0=L	(Note 4)	X	X
Temporary Sector Group Unprotect	X	X	X	V <sub>ID</sub>	H	X	A <sub>IN</sub>	(Note 4)	(Note 4)	High-Z

**Legend:** L = Logic Low = V<sub>IL</sub>, H = Logic High = V<sub>IH</sub>, V<sub>ID</sub> = 11.5–12.5 V, V<sub>HH</sub> = 11.5–12.5 V, X = Don't Care, SA = Sector Address, A<sub>IN</sub> = Address In, D<sub>IN</sub> = Data In, D<sub>OUT</sub> = Data Out

**Notes:**

- Addresses are Amax:A0 in word mode; Amax:A-1 in byte mode. Sector addresses are Amax:A15 in both modes.
- The sector protect and sector unprotect functions may also be implemented via programming equipment. See the "Sector Group Protection and Unprotection" section.
- If WP# = V<sub>IL</sub>, the first or last sector remains protected (for uniform sector devices), and the two outer boot sectors are protected (for boot sector devices). If WP# = V<sub>IH</sub>, the first or last sector, or the two outer boot sectors will be protected or unprotected as determined by the method described in "Sector Group Protection and Unprotection". All sectors are unprotected when shipped from the factory (The SecSi Sector may be factory protected depending on version ordered.)
- D<sub>IN</sub> or D<sub>OUT</sub> as required by command sequence, data polling, or sector protect algorithm (see Figure 2).

## Word/Byte Configuration

The BYTE# pin controls whether the device data I/O pins operate in the byte or word configuration. If the BYTE# pin is set at logic '1', the device is in word configuration, DQ0–DQ15 are active and controlled by CE# and OE#.

If the BYTE# pin is set at logic '0', the device is in byte configuration, and only data I/O pins DQ0–DQ7 are active and controlled by CE# and OE#. The data I/O pins DQ8–DQ14 are tri-stated, and the DQ15 pin is used as an input for the LSB (A-1) address function.

## Requirements for Reading Array Data

To read array data from the outputs, the system must drive the CE# and OE# pins to  $V_{IL}$ . CE# is the power control and selects the device. OE# is the output control and gates array data to the output pins. WE# should remain at  $V_{IH}$ .

The internal state machine is set for reading array data upon device power-up, or after a hardware reset. This ensures that no spurious alteration of the memory content occurs during the power transition. No command is necessary in this mode to obtain array data. Standard microprocessor read cycles that assert valid addresses on the device address inputs produce valid data on the device data outputs. The device remains enabled for read access until the command register contents are altered.

See "Reading Array Data" for more information. Refer to the AC Read-Only Operations table for timing specifications and the timing diagram. Refer to the DC Characteristics table for the active current specification on reading array data.

## Page Mode Read

The device is capable of fast page mode read and is compatible with the page mode Mask ROM read operation. This mode provides faster read access speed for random locations within a page. The page size of the device is 4 words/8 bytes. The appropriate page is selected by the higher address bits A(max)–A2. Address bits A1–A0 in word mode (A1–A-1 in byte mode) determine the specific word within a page. This is an asynchronous operation; the microprocessor supplies the specific word location.

The random or initial page access is equal to  $t_{ACC}$  or  $t_{CE}$  and subsequent page read accesses (as long as the locations specified by the microprocessor falls within that page) is equivalent to  $t_{PACC}$ . When CE# is deasserted and reasserted for a subsequent access, the access time is  $t_{ACC}$  or  $t_{CE}$ . Fast page mode accesses are obtained by keeping the "read-page addresses" constant and changing the "intra-read page" addresses.

## Writing Commands/Command Sequences

To write a command or command sequence (which includes programming data to the device and erasing sectors of memory), the system must drive WE# and CE# to  $V_{IL}$ , and OE# to  $V_{IH}$ .

The device features an **Unlock Bypass** mode to facilitate faster programming. Once the device enters the Unlock Bypass mode, only two write cycles are required to program a word, instead of four. The "Word Program Command Sequence" section has details on programming data to the device using both standard and Unlock Bypass command sequences.

An erase operation can erase one sector, multiple sectors, or the entire device. Table 2-Table 13 indicates the address space that each sector occupies.

Refer to the DC Characteristics table for the active current specification for the write mode. The AC Characteristics section contains timing specification tables and timing diagrams for write operations.

### Write Buffer

Write Buffer Programming allows the system write to a maximum of 16 words/32 bytes in one programming operation. This results in faster effective programming time than the standard programming algorithms. See "Write Buffer" for more information.

### Accelerated Program Operation

The device offers accelerated program operations through the ACC function. This is one of two functions provided by the WP#/ACC or ACC pin, depending on model number. This function is primarily intended to allow faster manufacturing throughput at the factory.

If the system asserts  $V_{HH}$  on this pin, the device automatically enters the aforementioned Unlock Bypass mode, temporarily unprotects any protected sector groups, and uses the higher voltage on the pin to reduce the time required for program operations. The system would use a two-cycle program command sequence as required by the Unlock Bypass mode. Removing  $V_{HH}$  from the WP#/ACC or ACC pin, depending on model number, returns the device to normal operation. *Note that the WP#/ACC or ACC pin must not be at  $V_{HH}$  for operations other than accelerated programming, or device damage may result. WP# has an internal pullup; when unconnected, WP# is at  $V_{IH}$ .*

### Autoselect Functions

If the system writes the autoselect command sequence, the device enters the autoselect mode. The system can then read autoselect codes from the internal register (which is separate from the memory array) on DQ7–DQ0. Standard read cycle timings apply in this mode. Refer to the "Autoselect Mode" section on page 78 and "Autoselect Command Sequence" section on page 103 sections for more information.

## Standby Mode

When the system is not reading or writing to the device, it can place the device in the standby mode. In this mode, current consumption is greatly reduced, and the outputs are placed in the high impedance state, independent of the OE# input.

The device enters the CMOS standby mode when the CE# and RESET# pins are both held at  $V_{IO} \pm 0.3$  V. (Note that this is a more restricted voltage range than  $V_{IH}$ .) If CE# and RESET# are held at  $V_{IH}$ , but not within  $V_{IO} \pm 0.3$  V, the device will be in the standby mode, but the standby current will be greater. The device requires standard access time ( $t_{CE}$ ) for read access when the device is in either of these standby modes, before it is ready to read data.

If the device is deselected during erasure or programming, the device draws active current until the operation is completed.

Refer to the "DC Characteristics" section on page 122 for the standby current specification.

## Automatic Sleep Mode

The automatic sleep mode minimizes Flash device energy consumption. The device automatically enables this mode when addresses remain stable for  $t_{ACC} + 30$  ns. The automatic sleep mode is independent of the CE#, WE#, and OE# control signals. Standard address access timings provide new data when addresses are changed. While in sleep mode, output data is latched and always available to the system. Refer to the "DC Characteristics" section on page 122 for the automatic sleep mode current specification.

## RESET#: Hardware Reset Pin

The RESET# pin provides a hardware method of resetting the device to reading array data. When the RESET# pin is driven low for at least a period of  $t_{RP}$ , the device immediately terminates any operation in progress, tristates all output pins, and ignores all read/write commands for the duration of the RESET# pulse. The device also resets the internal state machine to reading array data. The operation that was interrupted should be reinitiated once the device is ready to accept another command sequence, to ensure data integrity.

Current is reduced for the duration of the RESET# pulse. When RESET# is held at  $V_{SS} \pm 0.3$  V, the device draws CMOS standby current ( $I_{CC5}$ ). If RESET# is held at  $V_{IL}$  but not within  $V_{SS} \pm 0.3$  V, the standby current will be greater.

The RESET# pin may be tied to the system reset circuitry. A system reset would thus also reset the Flash memory, enabling the system to read the boot-up firmware from the Flash memory.

Refer to the AC Characteristics tables for RESET# parameters and to Figure 15 for the timing diagram.

## Output Disable Mode

When the OE# input is at  $V_{IH}$ , output from the device is disabled. The output pins are placed in the high impedance state.

**Table 2. S29GL032M (Model R0) Sector Address Table**

Sector	A21	A20	A19	A18	A17	A16	8-bit Address Range (in hexadecimal)
SA0	0	0	0	0	0	0	000000–00FFFF
SA1	0	0	0	0	0	1	010000–01FFFF
SA2	0	0	0	0	1	0	020000–02FFFF
SA3	0	0	0	0	1	1	030000–03FFFF
SA4	0	0	0	1	0	0	040000–04FFFF
SA5	0	0	0	1	0	1	050000–05FFFF
SA6	0	0	0	1	1	0	060000–06FFFF
SA7	0	0	0	1	1	1	070000–07FFFF
SA8	0	0	1	0	0	0	080000–08FFFF
SA9	0	0	1	0	0	1	090000–09FFFF
SA10	0	0	1	0	1	0	0A0000–0AFFFF
SA11	0	0	1	0	1	1	0B0000–0BFFFF
SA12	0	0	1	1	0	0	0C0000–0CFFFF
SA13	0	0	1	1	0	1	0D0000–0DFFFF
SA14	0	0	1	1	1	0	0E0000–0EFFFF
SA15	0	0	1	1	1	1	0F0000–0FFFFF
SA16	0	1	0	0	0	0	100000–10FFFF
SA17	0	1	0	0	0	1	110000–11FFFF
SA18	0	1	0	0	1	0	120000–12FFFF
SA19	0	1	0	0	1	1	130000–13FFFF
SA20	0	1	0	1	0	0	140000–14FFFF
SA21	0	1	0	1	0	1	150000–15FFFF
SA22	0	1	0	1	1	0	160000–16FFFF
SA23	0	1	0	1	1	1	170000–17FFFF
SA24	0	1	1	0	0	0	180000–18FFFF
SA25	0	1	1	0	0	1	190000–19FFFF
SA26	0	1	1	0	1	0	1A0000–1AFFFF
SA27	0	1	1	0	1	1	1B0000–1BFFFF
SA28	0	1	1	1	0	0	1C0000–1CFFFF
SA29	0	1	1	1	0	1	1D0000–1DFFFF
SA30	0	1	1	1	1	0	1E0000–1EFFFF
SA31	0	1	1	1	1	1	1F0000–1FFFFF
SA32	1	0	0	0	0	0	200000–20FFFF
SA33	1	0	0	0	0	1	210000–21FFFF
SA34	1	0	0	0	1	0	220000–22FFFF



Table 2. S29GL032M (Model R0) Sector Address Table (Continued)

Sector	A21	A20	A19	A18	A17	A16	8-bit Address Range (in hexadecimal)
SA35	1	0	0	0	1	1	230000–23FFFF
SA36	1	0	0	1	0	0	240000–24FFFF
SA37	1	0	0	1	0	1	250000–25FFFF
SA38	1	0	0	1	1	0	260000–26FFFF
SA39	1	0	0	1	1	1	270000–27FFFF
SA40	1	0	1	0	0	0	280000–28FFFF
SA41	1	0	1	0	0	1	290000–29FFFF
SA42	1	0	1	0	1	0	2A0000–2AFFFF
SA43	1	0	1	0	1	1	2B0000–2BFFFF
SA44	1	0	1	1	0	0	2C0000–2CFFFF
SA45	1	0	1	1	0	1	2D0000–2DFFFF
SA46	1	0	1	1	1	0	2E0000–2EFFFF
SA47	1	0	1	1	1	1	2F0000–2FFFFF
SA48	1	1	0	0	0	0	300000–30FFFF
SA49	1	1	0	0	0	1	310000–31FFFF
SA50	1	1	0	0	1	0	320000–32FFFF
SA51	1	1	0	0	1	1	330000–33FFFF
SA52	1	1	0	1	0	0	340000–34FFFF
SA53	1	1	0	1	0	1	350000–35FFFF
SA54	1	1	0	1	1	0	360000–36FFFF
SA55	1	1	0	1	1	1	370000–37FFFF
SA56	1	1	1	0	0	0	380000–38FFFF
SA57	1	1	1	0	0	1	390000–39FFFF
SA58	1	1	1	0	1	0	3A0000–3AFFFF
SA59	1	1	1	0	1	1	3B0000–3BFFFF
SA60	1	1	1	1	0	0	3C0000–3CFFFF
SA61	1	1	1	1	0	1	3D0000–3DFFFF
SA62	1	1	1	1	1	0	3E0000–3EFFFF
SA63	1	1	1	1	1	1	3F0000–3FFFFF

**Table 3. S29GL032M (Models RI, R2) Sector Address Table**

Sector	A20-A15						Sector Size (Kbytes/Kwords)	8-bit Address Range (in hexadecimal)	16-bit Address Range (in hexadecimal)
SA0	0	0	0	0	0	0	64/32	000000-00FFFF	000000-007FFF
SA1	0	0	0	0	0	1	64/32	010000-01FFFF	008000-00FFFF
SA2	0	0	0	0	1	0	64/32	020000-02FFFF	010000-017FFF
SA3	0	0	0	0	1	1	64/32	030000-03FFFF	018000-01FFFF
SA4	0	0	0	1	0	0	64/32	040000-04FFFF	020000-027FFF
SA5	0	0	0	1	0	1	64/32	050000-05FFFF	028000-02FFFF
SA6	0	0	0	1	1	0	64/32	060000-06FFFF	030000-037FFF
SA7	0	0	0	1	1	1	64/32	070000-07FFFF	038000-03FFFF
SA8	0	0	1	0	0	0	64/32	080000-08FFFF	040000-047FFF
SA9	0	0	1	0	0	1	64/32	090000-09FFFF	048000-04FFFF
SA10	0	0	1	0	1	0	64/32	0A0000-0AFFFF	050000-057FFF
SA11	0	0	1	0	1	1	64/32	0B0000-0BFFFF	058000-05FFFF
SA12	0	0	1	1	0	0	64/32	0C0000-0CFFFF	060000-067FFF
SA13	0	0	1	1	0	1	64/32	0D0000-0DFFFF	068000-06FFFF
SA14	0	0	1	1	1	0	64/32	0E0000-0EFFFF	070000-077FFF
SA15	0	0	1	1	1	1	64/32	0F0000-0FFFFF	078000-07FFFF
SA16	0	1	0	0	0	0	64/32	100000-10FFFF	080000-087FFF
SA17	0	1	0	0	0	1	64/32	110000-11FFFF	088000-08FFFF
SA18	0	1	0	0	1	0	64/32	120000-12FFFF	090000-097FFF
SA19	0	1	0	0	1	1	64/32	130000-13FFFF	098000-09FFFF
SA20	0	1	0	1	0	0	64/32	140000-14FFFF	0A0000-0A7FFF
SA21	0	1	0	1	0	1	64/32	150000-15FFFF	0A8000-0AFFFF
SA22	0	1	0	1	1	0	64/32	160000-16FFFF	0B0000-0B7FFF
SA23	0	1	0	1	1	1	64/32	170000-17FFFF	0B8000-0BFFFF
SA24	0	1	1	0	0	0	64/32	180000-18FFFF	0C0000-0C7FFF
SA25	0	1	1	0	0	1	64/32	190000-19FFFF	0C8000-0CFFFF
SA26	0	1	1	0	1	0	64/32	1A0000-1AFFFF	0D0000-0D7FFF
SA27	0	1	1	0	1	1	64/32	1B0000-1BFFFF	0D8000-0DFFFF
SA28	0	1	1	1	0	0	64/32	1C0000-1CFFFF	0E0000-0E7FFF
SA29	0	1	1	1	0	1	64/32	1D0000-1DFFFF	0E8000-0EFFFF
SA30	0	1	1	1	1	0	64/32	1E0000-1EFFFF	0F0000-0F7FFF
SA31	0	1	1	1	1	1	64/32	1F0000-1FFFFF	0F8000-0FFFFF
SA32	1	0	0	0	0	0	64/32	200000-20FFFF	100000-107FFF
SA33	1	0	0	0	0	1	64/32	210000-21FFFF	108000-10FFFF
SA34	1	0	0	0	1	0	64/32	220000-22FFFF	110000-117FFF
SA35	1	0	0	0	1	1	64/32	230000-23FFFF	118000-11FFFF
SA36	1	0	0	1	0	0	64/32	240000-24FFFF	120000-127FFF
SA37	1	0	0	1	0	1	64/32	250000-25FFFF	128000-12FFFF
SA38	1	0	0	1	1	0	64/32	260000-26FFFF	130000-137FFF
SA39	1	0	0	1	1	1	64/32	270000-27FFFF	138000-13FFFF
SA40	1	0	1	0	0	0	64/32	280000-28FFFF	140000-147FFF
SA41	1	0	1	0	0	1	64/32	290000-29FFFF	148000-14FFFF
SA42	1	0	1	0	1	0	64/32	2A0000-2AFFFF	150000-157FFF
SA43	1	0	1	0	1	1	64/32	2B0000-2BFFFF	158000-15FFFF
SA44	1	0	1	1	0	0	64/32	2C0000-2CFFFF	160000-167FFF

Table 3. S29GL032M (Models RI, R2) Sector Address Table (Continued)

Sector	A20-A15						Sector Size (Kbytes/Kwords)	8-bit Address Range (in hexadecimal)	16-bit Address Range (in hexadecimal)
SA45	1	0	1	1	0	1	64/32	2D0000–2DFFFF	168000–16FFFF
SA46	1	0	1	1	1	0	64/32	2E0000–2EFFFF	170000–177FFF
SA47	1	0	1	1	1	1	64/32	2F0000–2FFFFF	178000–17FFFF
SA48	1	1	0	0	0	0	64/32	300000–30FFFF	180000–187FFF
SA49	1	1	0	0	0	1	64/32	310000–31FFFF	188000–18FFFF
SA50	1	1	0	0	1	0	64/32	320000–32FFFF	190000–197FFF
SA51	1	1	0	0	1	1	64/32	330000–33FFFF	198000–19FFFF
SA52	1	1	0	1	0	0	64/32	340000–34FFFF	1A0000–1A7FFF
SA53	1	1	0	1	0	1	64/32	350000–35FFFF	1A8000–1AFFFF
SA54	1	1	0	1	1	0	64/32	360000–36FFFF	1B0000–1B7FFF
SA55	1	1	0	1	1	1	64/32	370000–37FFFF	1B8000–1BFFFF
SA56	1	1	1	0	0	0	64/32	380000–38FFFF	1C0000–1C7FFF
SA57	1	1	1	0	0	1	64/32	390000–39FFFF	1C8000–1CFFFF
SA58	1	1	1	0	1	0	64/32	3A0000–3AFFFF	1D0000–1D7FFF
SA59	1	1	1	0	1	1	64/32	3B0000–3BFFFF	1D8000–1DFFFF
SA60	1	1	1	1	0	0	64/32	3C0000–3CFFFF	1E0000–1E7FFF
SA61	1	1	1	1	0	1	64/32	3D0000–3DFFFF	1E8000–1EFFFF
SA62	1	1	1	1	1	0	64/32	3E0000–3EFFFF	1F0000–1F7FFF
SA63	1	1	1	1	1	1	64/32	3F0000–3FFFFF	1F8000–1FFFFF

**Table 4. S29GL032M (Model R3) Top Boot Sector Architecture**

Sector	Sector Address A20–A12	Sector Size (Kbytes/Kwords)	(x8) Address Range	(x16) Address Range
SA0	00000xxx	64/32	00000h–00FFFh	0000h–07FFFh
SA1	00001xxx	64/32	01000h–01FFFh	0800h–0FFFFh
SA2	00010xxx	64/32	02000h–02FFFh	1000h–17FFFh
SA3	00011xxx	64/32	03000h–03FFFh	1800h–1FFFFh
SA4	00100xxx	64/32	04000h–04FFFh	2000h–27FFFh
SA5	00101xxx	64/32	05000h–05FFFh	2800h–2FFFFh
SA6	00110xxx	64/32	06000h–06FFFh	3000h–37FFFh
SA7	00111xxx	64/32	07000h–07FFFh	3800h–3FFFFh
SA8	001000xxx	64/32	08000h–08FFFh	4000h–47FFFh
SA9	001001xxx	64/32	09000h–09FFFh	4800h–4FFFFh
SA10	001010xxx	64/32	0A000h–0AFFFh	5000h–57FFFh
SA11	001011xxx	64/32	0B000h–0BFFFh	5800h–5FFFFh
SA12	001100xxx	64/32	0C000h–0CFFFh	6000h–67FFFh
SA13	001101xxx	64/32	0D000h–0DFFFh	6800h–6FFFFh
SA14	001110xxx	64/32	0E000h–0EFFFh	7000h–77FFFh
SA15	001111xxx	64/32	0F000h–0FFFFh	7800h–7FFFFh
SA16	010000xxx	64/32	10000h–10FFFh	8000h–87FFFh
SA17	010001xxx	64/32	11000h–11FFFh	8800h–8FFFFh
SA18	010010xxx	64/32	12000h–12FFFh	9000h–97FFFh
SA19	010011xxx	64/32	13000h–13FFFh	9800h–9FFFFh
SA20	010100xxx	64/32	14000h–14FFFh	A000h–A7FFFh
SA21	010101xxx	64/32	15000h–15FFFh	A800h–AFFFFh
SA22	010110xxx	64/32	16000h–16FFFh	B000h–B7FFFh
SA23	010111xxx	64/32	17000h–17FFFh	B800h–BFFFFh
SA24	011000xxx	64/32	18000h–18FFFh	C000h–C7FFFh
SA25	011001xxx	64/32	19000h–19FFFh	C800h–CFFFFh
SA26	011010xxx	64/32	1A000h–1AFFFh	D000h–D7FFFh
SA27	011011xxx	64/32	1B000h–1BFFFh	D800h–DFFFFh
SA28	011000xxx	64/32	1C000h–1CFFFh	E000h–E7FFFh
SA29	011010xxx	64/32	1D000h–1DFFFh	E800h–EFFFFh
SA30	01110xxx	64/32	1E000h–1EFFFh	F000h–F7FFFh
SA31	01111xxx	64/32	1F000h–1FFFFh	F800h–FFFFh
SA32	10000xxx	64/32	20000h–20FFFh	F900h–I07FFFh
SA33	100001xxx	64/32	21000h–21FFFh	I0800h–I0FFFFh
SA34	100010xxx	64/32	22000h–22FFFh	I1000h–I17FFFh
SA35	101011xxx	64/32	23000h–23FFFh	I1800h–I1FFFFh

Table 4. S29GL032M (Model R3) Top Boot Sector Architecture (Continued)

Sector	Sector Address A20–A12	Sector Size (Kbytes/Kwords)	(x8) Address Range	(x16) Address Range
SA36	I00I00xxx	64/32	240000h–24FFFFh	I20000h–I27FFFh
SA37	I00I0Ixxx	64/32	250000h–25FFFFh	I28000h–I2FFFFh
SA38	I00II0xxx	64/32	260000h–26FFFFh	I30000h–I37FFFh
SA39	I00IIIxxx	64/32	270000h–27FFFFh	I38000h–I3FFFFh
SA40	I0I000xxx	64/32	280000h–28FFFFh	I40000h–I47FFFh
SA41	I0I00Ixxx	64/32	290000h–29FFFFh	I48000h–I4FFFFh
SA42	I0I0I0xxx	64/32	2A0000h–2AFFFFh	I50000h–I57FFFh
SA43	I0I0IIxxx	64/32	2B0000h–2BFFFFh	I58000h–I5FFFFh
SA44	I0II00xxx	64/32	2C0000h–2CFFFFh	I60000h–I67FFFh
SA45	I0II0Ixxx	64/32	2D0000h–2DFFFFh	I68000h–I6FFFFh
SA46	I0IIIOxxx	64/32	2E0000h–2EFFFFh	I70000h–I77FFFh
SA47	I0IIIIxxx	64/32	2F0000h–2FFFFFh	I78000h–I7FFFFh
SA48	II0000xxx	64/32	300000h–30FFFFh	I80000h–I87FFFh
SA49	II000Ixxx	64/32	310000h–31FFFFh	I88000h–I8FFFFh
SA50	II00I0xxx	64/32	320000h–32FFFFh	I90000h–I97FFFh
SA51	II00IIxxx	64/32	330000h–33FFFFh	I98000h–I9FFFFh
SA52	I00I00xxx	64/32	340000h–34FFFFh	IA0000h–IA7FFFh
SA53	II0I0Ixxx	64/32	350000h–35FFFFh	IA8000h–IAFFFFh
SA54	II0II0xxx	64/32	360000h–36FFFFh	IB0000h–IB7FFFh
SA55	II0IIIxxx	64/32	370000h–37FFFFh	IB8000h–IBFFFFh
SA56	IIII00xxx	64/32	380000h–38FFFFh	IC0000h–IC7FFFh
SA57	IIII0Ixxx	64/32	390000h–39FFFFh	IC8000h–ICFFFFh
SA58	IIIOI0xxx	64/32	3A0000h–3AFFFFh	ID0000h–ID7FFFh
SA59	IIIOIIxxx	64/32	3B0000h–3BFFFFh	ID8000h–IDFFFFh
SA60	IIIII0xxx	64/32	3C0000h–3CFFFFh	IE0000h–IE7FFFh
SA61	IIIII0Ixxx	64/32	3D0000h–3DFFFFh	IE8000h–IEFFFFh
SA62	IIIIIOxxx	64/32	3E0000h–3EFFFFh	IF0000h–IF7FFFh
SA63	IIIIII000	8/4	3F0000h–3F1FFFh	IF8000h–IF8FFFh
SA64	IIIIII00I	8/4	3F2000h–3F3FFFh	IF9000h–IF9FFFh
SA65	IIIIII0I0	8/4	3F4000h–3F5FFFh	IFA000h–IFAFFFh
SA66	IIIIII0II	8/4	3F6000h–3F7FFFh	IFB000h–IFBFFFh
SA67	IIIIII00	8/4	3F8000h–3F9FFFh	IFC000h–IFCFFFh
SA68	IIIIII0I	8/4	3FA000h–3FBFFFh	IFD000h–IFDFFFh
SA69	IIIIIIIO	8/4	3FC000h–3FDFFFh	IFE000h–IFEFFFh
SA70	IIIIIIII	8/4	3FE000h–3FFFFFh	IFF000h–IFFFFFh

**Table 5. S29GL032M (Model R4) Bottom Boot Sector Architecture**

Sector	Sector Address A20–A12	Sector Size (Kbytes/Kwords)	(x8) Address Range	(x16) Address Range
SA0	00000000	8/4	00000h–001FFFh	00000h–00FFFh
SA1	00000001	8/4	002000h–003FFFh	01000h–01FFFh
SA2	00000010	8/4	004000h–005FFFh	02000h–02FFFh
SA3	00000011	8/4	006000h–007FFFh	03000h–03FFFh
SA4	00000100	8/4	008000h–009FFFh	04000h–04FFFh
SA5	00000101	8/4	00A000h–00BFFFh	05000h–05FFFh
SA6	00000110	8/4	00C000h–00DFFFh	06000h–06FFFh
SA7	00000111	8/4	00E000h–00FFFFh	07000h–07FFFh
SA8	00001xxx	64/32	010000h–01FFFFh	08000h–0FFFFh
SA9	00010xxx	64/32	020000h–02FFFFh	10000h–17FFFh
SA10	00011xxx	64/32	030000h–03FFFFh	18000h–1FFFFh
SA11	00100xxx	64/32	040000h–04FFFFh	20000h–27FFFh
SA12	00101xxx	64/32	050000h–05FFFFh	28000h–2FFFFh
SA13	00110xxx	64/32	060000h–06FFFFh	30000h–37FFFh
SA14	00111xxx	64/32	070000h–07FFFFh	38000h–3FFFFh
SA15	001000xxx	64/32	080000h–08FFFFh	40000h–47FFFh
SA16	001001xxx	64/32	090000h–09FFFFh	48000h–4FFFFh
SA17	001010xxx	64/32	0A0000h–0AFFFFh	50000h–57FFFh
SA18	001011xxx	64/32	0B0000h–0BFFFFh	58000h–5FFFFh
SA19	001100xxx	64/32	0C0000h–0CFFFFh	60000h–67FFFh
SA20	001101xxx	64/32	0D0000h–0DFFFFh	68000h–6FFFFh
SA21	001110xxx	64/32	0E0000h–0EFFFFh	70000h–77FFFh
SA22	001111xxx	64/32	0F0000h–0FFFFFh	78000h–7FFFFh
SA23	010000xxx	64/32	100000h–00FFFFh	80000h–87FFFh
SA24	010001xxx	64/32	110000h–11FFFFh	88000h–8FFFFh
SA25	010010xxx	64/32	120000h–12FFFFh	90000h–97FFFh
SA26	010011xxx	64/32	130000h–13FFFFh	98000h–9FFFFh
SA27	010100xxx	64/32	140000h–14FFFFh	A0000h–A7FFFh
SA28	010101xxx	64/32	150000h–15FFFFh	A8000h–AFFFFh
SA29	010110xxx	64/32	160000h–16FFFFh	B0000h–B7FFFh
SA30	010111xxx	64/32	170000h–17FFFFh	B8000h–BFFFFh
SA31	011000xxx	64/32	180000h–18FFFFh	C0000h–C7FFFh
SA32	011001xxx	64/32	190000h–19FFFFh	C8000h–CFFFFh
SA33	011010xxx	64/32	1A0000h–1AFFFFh	D0000h–D7FFFh
SA34	011011xxx	64/32	1B0000h–1BFFFFh	D8000h–DFFFFh
SA35	011000xxx	64/32	1C0000h–1CFFFFh	E0000h–E7FFFh

**Table 5. S29GL032M (Model R4) Bottom Boot Sector Architecture (Continued)**

Sector	Sector Address A20–A12	Sector Size (Kbytes/Kwords)	(x8) Address Range	(x16) Address Range
SA36	011101xxx	64/32	ID0000h–IDFFFFh	E8000h–EFFFFh
SA37	011110xxx	64/32	IE0000h–IEFFFFh	F0000h–F7FFFh
SA38	011111xxx	64/32	IF0000h–IFFFFFh	F8000h–FFFFFh
SA39	100000xxx	64/32	200000h–20FFFFh	F9000h–I07FFFh
SA40	100001xxx	64/32	210000h–21FFFFh	I08000h–I0FFFFh
SA41	100010xxx	64/32	220000h–22FFFFh	I10000h–I17FFFh
SA42	101011xxx	64/32	230000h–23FFFFh	I18000h–I1FFFFh
SA43	100100xxx	64/32	240000h–24FFFFh	I20000h–I27FFFh
SA44	100101xxx	64/32	250000h–25FFFFh	I28000h–I2FFFFh
SA45	100110xxx	64/32	260000h–26FFFFh	I30000h–I37FFFh
SA46	100111xxx	64/32	270000h–27FFFFh	I38000h–I3FFFFh
SA47	101000xxx	64/32	280000h–28FFFFh	I40000h–I47FFFh
SA48	101001xxx	64/32	290000h–29FFFFh	I48000h–I4FFFFh
SA49	101010xxx	64/32	2A0000h–2AFFFFh	I50000h–I57FFFh
SA50	101011xxx	64/32	2B0000h–2BFFFFh	I58000h–I5FFFFh
SA51	101100xxx	64/32	2C0000h–2CFFFFh	I60000h–I67FFFh
SA52	101101xxx	64/32	2D0000h–2DFFFFh	I68000h–I6FFFFh
SA53	101110xxx	64/32	2E0000h–2EFFFFh	I70000h–I77FFFh
SA54	101111xxx	64/32	2F0000h–2FFFFFh	I78000h–I7FFFFh
SA55	110000xxx	64/32	300000h–30FFFFh	I80000h–I87FFFh
SA56	110001xxx	64/32	310000h–31FFFFh	I88000h–I8FFFFh
SA57	110010xxx	64/32	320000h–32FFFFh	I90000h–I97FFFh
SA58	110011xxx	64/32	330000h–33FFFFh	I98000h–I9FFFFh
SA59	100100xxx	64/32	340000h–34FFFFh	IA0000h–IA7FFFh
SA60	110101xxx	64/32	350000h–35FFFFh	IA8000h–IAFFFFh
SA61	110110xxx	64/32	360000h–36FFFFh	IB0000h–IB7FFFh
SA62	110111xxx	64/32	370000h–37FFFFh	IB8000h–IBFFFFh
SA63	111000xxx	64/32	380000h–38FFFFh	IC0000h–IC7FFFh
SA64	111001xxx	64/32	390000h–39FFFFh	IC8000h–ICFFFFh
SA65	111010xxx	64/32	3A0000h–3AFFFFh	ID0000h–ID7FFFh
SA66	111011xxx	64/32	3B0000h–3BFFFFh	ID8000h–IDFFFFh
SA67	111100xxx	64/32	3C0000h–3CFFFFh	IE0000h–IE7FFFh
SA68	111101xxx	64/32	3D0000h–3DFFFFh	IE8000h–IEFFFFh
SA69	111110xxx	64/32	3E0000h–3EFFFFh	IF0000h–IF7FFFh
SA70	111111xxx	64/32	3F0000h–3FFFFFh	IF8000h–IFFFFFh

**Table 6. S29GL064M (Model R0) Sector Address Table**

Sector	A22	A21	A20	A19	A18	A17	A16	8-bit Address Range (in hexadecimal)
SA0	0	0	0	0	0	0	0	000000–00FFFF
SA1	0	0	0	0	0	0	1	010000–01FFFF
SA2	0	0	0	0	0	1	0	020000–02FFFF
SA3	0	0	0	0	0	1	1	030000–03FFFF
SA4	0	0	0	0	1	0	0	040000–04FFFF
SA5	0	0	0	0	1	0	1	050000–05FFFF
SA6	0	0	0	0	1	1	0	060000–06FFFF
SA7	0	0	0	0	1	1	1	070000–07FFFF
SA8	0	0	0	1	0	0	0	080000–08FFFF
SA9	0	0	0	1	0	0	1	090000–09FFFF
SA10	0	0	0	1	0	1	0	0A0000–0AFFFF
SA11	0	0	0	1	0	1	1	0B0000–0BFFFF
SA12	0	0	0	1	1	0	0	0C0000–0CFFFF
SA13	0	0	0	1	1	0	1	0D0000–0DFFFF
SA14	0	0	0	1	1	1	0	0E0000–0EFFFF
SA15	0	0	0	1	1	1	1	0F0000–0FFFFF
SA16	0	0	1	0	0	0	0	100000–10FFFF
SA17	0	0	1	0	0	0	1	110000–11FFFF
SA18	0	0	1	0	0	1	0	120000–12FFFF
SA19	0	0	1	0	0	1	1	130000–13FFFF
SA20	0	0	1	0	1	0	0	140000–14FFFF
SA21	0	0	1	0	1	0	1	150000–15FFFF
SA22	0	0	1	0	1	1	0	160000–16FFFF
SA23	0	0	1	0	1	1	1	170000–17FFFF
SA24	0	0	1	1	0	0	0	180000–18FFFF
SA25	0	0	1	1	0	0	1	190000–19FFFF
SA26	0	0	1	1	0	1	0	1A0000–1AFFFF
SA27	0	0	1	1	0	1	1	1B0000–1BFFFF
SA28	0	0	1	1	1	0	0	1C0000–1CFFFF
SA29	0	0	1	1	1	0	1	1D0000–1DFFFF
SA30	0	0	1	1	1	1	0	1E0000–1EFFFF
SA31	0	0	1	1	1	1	1	1F0000–1FFFFF
SA32	0	1	0	0	0	0	0	200000–20FFFF
SA33	0	1	0	0	0	0	1	210000–21FFFF
SA34	0	1	0	0	0	1	0	220000–22FFFF



Table 6. S29GL064M (Model R0) Sector Address Table (Continued)

Sector	A22	A21	A20	A19	A18	A17	A16	8-bit Address Range (in hexadecimal)
SA35	0	1	0	0	0	1	1	230000–23FFFF
SA36	0	1	0	0	1	0	0	240000–24FFFF
SA37	0	1	0	0	1	0	1	250000–25FFFF
SA38	0	1	0	0	1	1	0	260000–26FFFF
SA39	0	1	0	0	1	1	1	270000–27FFFF
SA40	0	1	0	1	0	0	0	280000–28FFFF
SA41	0	1	0	1	0	0	1	290000–29FFFF
SA42	0	1	0	1	0	1	0	2A0000–2AFFFF
SA43	0	1	0	1	0	1	1	2B0000–2BFFFF
SA44	0	1	0	1	1	0	0	2C0000–2CFFFF
SA45	0	1	0	1	1	0	1	2D0000–2DFFFF
SA46	0	1	0	1	1	1	0	2E0000–2EFFFF
SA47	0	1	0	1	1	1	1	2F0000–2FFFFF
SA48	0	1	1	0	0	0	0	300000–30FFFF
SA49	0	1	1	0	0	0	1	310000–31FFFF
SA50	0	1	1	0	0	1	0	320000–32FFFF
SA51	0	1	1	0	0	1	1	330000–33FFFF
SA52	0	1	1	0	1	0	0	340000–34FFFF
SA53	0	1	1	0	1	0	1	350000–35FFFF
SA54	0	1	1	0	1	1	0	360000–36FFFF
SA55	0	1	1	0	1	1	1	370000–37FFFF
SA56	0	1	1	1	0	0	0	380000–38FFFF
SA57	0	1	1	1	0	0	1	390000–39FFFF
SA58	0	1	1	1	0	1	0	3A0000–3AFFFF
SA59	0	1	1	1	0	1	1	3B0000–3BFFFF
SA60	0	1	1	1	1	0	0	3C0000–3CFFFF
SA61	0	1	1	1	1	0	1	3D0000–3DFFFF
SA62	0	1	1	1	1	1	0	3E0000–3EFFFF
SA63	0	1	1	1	1	1	1	3F0000–3FFFFF
SA64	1	0	0	0	0	0	0	400000–40FFFF
SA65	1	0	0	0	0	0	1	410000–41FFFF
SA66	1	0	0	0	0	1	0	420000–42FFFF
SA67	1	0	0	0	0	1	1	430000–43FFFF
SA68	1	0	0	0	1	0	0	440000–44FFFF
SA69	1	0	0	0	1	0	1	450000–45FFFF

**Table 6. S29GL064M (Model R0) Sector Address Table (Continued)**

Sector	A22	A21	A20	A19	A18	A17	A16	8-bit Address Range (in hexadecimal)
SA70	1	0	0	0	1	1	0	460000–46FFFF
SA71	1	0	0	0	1	1	1	470000–47FFFF
SA72	1	0	0	1	0	0	0	480000–48FFFF
SA73	1	0	0	1	0	0	1	490000–49FFFF
SA74	1	0	0	1	0	1	0	4A0000–4AFFFF
SA75	1	0	0	1	0	1	1	4B0000–4BFFFF
SA76	1	0	0	1	1	0	0	4C0000–4CFFFF
SA77	1	0	0	1	1	0	1	4D0000–4DFFFF
SA78	1	0	0	1	1	1	0	4E0000–4EFFFF
SA79	1	0	0	1	1	1	1	4F0000–4FFFFFF
SA80	1	0	1	0	0	0	0	500000–50FFFF
SA81	1	0	1	0	0	0	1	510000–51FFFF
SA82	1	0	1	0	0	1	0	520000–52FFFF
SA83	1	0	1	0	0	1	1	530000–53FFFF
SA84	1	0	1	0	1	0	0	540000–54FFFF
SA85	1	0	1	0	1	0	1	550000–55FFFF
SA86	1	0	1	0	1	1	0	560000–56FFFF
SA87	1	0	1	0	1	1	1	570000–57FFFF
SA88	1	0	1	1	0	0	0	580000–58FFFF
SA89	1	0	1	1	0	0	1	590000–59FFFF
SA90	1	0	1	1	0	1	0	5A0000–5AFFFF
SA91	1	0	1	1	0	1	1	5B0000–5BFFFF
SA92	1	0	1	1	1	0	0	5C0000–5CFFFF
SA93	1	0	1	1	1	0	1	5D0000–5DFFFF
SA94	1	0	1	1	1	1	0	5E0000–5EFFFF
SA95	1	0	1	1	1	1	1	5F0000–5FFFFFF
SA96	1	1	0	0	0	0	0	600000–60FFFF
SA97	1	1	0	0	0	0	1	610000–61FFFF
SA98	1	1	0	0	0	1	0	620000–62FFFF
SA99	1	1	0	0	0	1	1	630000–63FFFF
SA100	1	1	0	0	1	0	0	640000–64FFFF
SA101	1	1	0	0	1	0	1	650000–65FFFF
SA102	1	1	0	0	1	1	0	660000–66FFFF
SA103	1	1	0	0	1	1	1	670000–67FFFF
SA104	1	1	0	1	0	0	0	680000–68FFFF

Table 6. S29GL064M (Model R0) Sector Address Table (Continued)

Sector	A22	A21	A20	A19	A18	A17	A16	8-bit Address Range (in hexadecimal)
SA105	1	1	0	1	0	0	1	690000–69FFFF
SA106	1	1	0	1	0	1	0	6A0000–6AFFFF
SA107	1	1	0	1	0	1	1	6B0000–6BFFFF
SA108	1	1	0	1	1	0	0	6C0000–6CFFFF
SA109	1	1	0	1	1	0	1	6D0000–6DFFFF
SA110	1	1	0	1	1	1	0	6E0000–6EFFFF
SA111	1	1	0	1	1	1	1	6F0000–6FFFFFF
SA112	1	1	1	0	0	0	0	700000–70FFFF
SA113	1	1	1	0	0	0	1	710000–71FFFF
SA114	1	1	1	0	0	1	0	720000–72FFFF
SA115	1	1	1	0	0	1	1	730000–73FFFF
SA116	1	1	1	0	1	0	0	740000–74FFFF
SA117	1	1	1	0	1	0	1	750000–75FFFF
SA118	1	1	1	0	1	1	0	760000–76FFFF
SA119	1	1	1	0	1	1	1	770000–77FFFF
SA120	1	1	1	1	0	0	0	780000–78FFFF
SA121	1	1	1	1	0	0	1	790000–79FFFF
SA122	1	1	1	1	0	1	0	7A0000–7AFFFF
SA123	1	1	1	1	0	1	1	7B0000–7BFFFF
SA124	1	1	1	1	1	0	0	7C0000–7CFFFF
SA125	1	1	1	1	1	0	1	7D0000–7DFFFF
SA126	1	1	1	1	1	1	0	7E0000–7EFFFF
SA127	1	1	1	1	1	1	1	7F0000–7FFFFFF

**Table 7. S29GL064M (Model R1, R2) Sector Address Table**

Sector	A21-A15							Sector Size (Kbytes/ Kwords)	8-bit Address Range (in hexadecimal)	16-bit Address Range (in hexadecimal)
SA0	0	0	0	0	0	0	0	64/32	000000-00FFFF	000000-007FFF
SA1	0	0	0	0	0	0	1	64/32	010000-01FFFF	008000-00FFFF
SA2	0	0	0	0	0	1	0	64/32	020000-02FFFF	010000-017FFF
SA3	0	0	0	0	0	1	1	64/32	030000-03FFFF	018000-01FFFF
SA4	0	0	0	0	1	0	0	64/32	040000-04FFFF	020000-027FFF
SA5	0	0	0	0	1	0	1	64/32	050000-05FFFF	028000-02FFFF
SA6	0	0	0	0	1	1	0	64/32	060000-06FFFF	030000-037FFF
SA7	0	0	0	0	1	1	1	64/32	070000-07FFFF	038000-03FFFF
SA8	0	0	0	1	0	0	0	64/32	080000-08FFFF	040000-047FFF
SA9	0	0	0	1	0	0	1	64/32	090000-09FFFF	048000-04FFFF
SA10	0	0	0	1	0	1	0	64/32	0A0000-0AFFFF	050000-057FFF
SA11	0	0	0	1	0	1	1	64/32	0B0000-0BFFFF	058000-05FFFF
SA12	0	0	0	1	1	0	0	64/32	0C0000-0CFFFF	060000-067FFF
SA13	0	0	0	1	1	0	1	64/32	0D0000-0DFFFF	068000-06FFFF
SA14	0	0	0	1	1	1	0	64/32	0E0000-0EFFFF	070000-077FFF
SA15	0	0	0	1	1	1	1	64/32	0F0000-0FFFFF	078000-07FFFF
SA16	0	0	1	0	0	0	0	64/32	100000-10FFFF	080000-087FFF
SA17	0	0	1	0	0	0	1	64/32	110000-11FFFF	088000-08FFFF
SA18	0	0	1	0	0	1	0	64/32	120000-12FFFF	090000-097FFF
SA19	0	0	1	0	0	1	1	64/32	130000-13FFFF	098000-09FFFF
SA20	0	0	1	0	1	0	0	64/32	140000-14FFFF	0A0000-0A7FFF
SA21	0	0	1	0	1	0	1	64/32	150000-15FFFF	0A8000-0AFFFF
SA22	0	0	1	0	1	1	0	64/32	160000-16FFFF	0B0000-0B7FFF
SA23	0	0	1	0	1	1	1	64/32	170000-17FFFF	0B8000-0BFFFF
SA24	0	0	1	1	0	0	0	64/32	180000-18FFFF	0C0000-0C7FFF
SA25	0	0	1	1	0	0	1	64/32	190000-19FFFF	0C8000-0CFFFF
SA26	0	0	1	1	0	1	0	64/32	1A0000-1AFFFF	0D0000-0D7FFF
SA27	0	0	1	1	0	1	1	64/32	1B0000-1BFFFF	0D8000-0DFFFF
SA28	0	0	1	1	1	0	0	64/32	1C0000-1CFFFF	0E0000-0E7FFF
SA29	0	0	1	1	1	0	1	64/32	1D0000-1DFFFF	0E8000-0EFFFF
SA30	0	0	1	1	1	1	0	64/32	1E0000-1EFFFF	0F0000-0F7FFF
SA31	0	0	1	1	1	1	1	64/32	1F0000-1FFFFF	0F8000-0FFFFF
SA32	0	1	0	0	0	0	0	64/32	200000-20FFFF	100000-107FFF
SA33	0	1	0	0	0	0	1	64/32	210000-21FFFF	108000-10FFFF

Table 7. S29GL064M (Model RI, R2) Sector Address Table (Continued)

Sector	A21-A15							Sector Size (Kbytes/ Kwords)	8-bit Address Range (in hexadecimal)	16-bit Address Range (in hexadecimal)
	0	1	0	0	0	1	0			
SA34	0	1	0	0	0	1	0	64/32	220000-22FFFF	110000-117FFF
SA35	0	1	0	0	0	1	1	64/32	230000-23FFFF	118000-11FFFF
SA36	0	1	0	0	1	0	0	64/32	240000-24FFFF	120000-127FFF
SA37	0	1	0	0	1	0	1	64/32	250000-25FFFF	128000-12FFFF
SA38	0	1	0	0	1	1	0	64/32	260000-26FFFF	130000-137FFF
SA39	0	1	0	0	1	1	1	64/32	270000-27FFFF	138000-13FFFF
SA40	0	1	0	1	0	0	0	64/32	280000-28FFFF	140000-147FFF
SA41	0	1	0	1	0	0	1	64/32	290000-29FFFF	148000-14FFFF
SA42	0	1	0	1	0	1	0	64/32	2A0000-2AFFFF	150000-157FFF
SA43	0	1	0	1	0	1	1	64/32	2B0000-2BFFFF	158000-15FFFF
SA44	0	1	0	1	1	0	0	64/32	2C0000-2CFFFF	160000-167FFF
SA45	0	1	0	1	1	0	1	64/32	2D0000-2DFFFF	168000-16FFFF
SA46	0	1	0	1	1	1	0	64/32	2E0000-2EFFFF	170000-177FFF
SA47	0	1	0	1	1	1	1	64/32	2F0000-2FFFFF	178000-17FFFF
SA48	0	1	1	0	0	0	0	64/32	300000-30FFFF	180000-187FFF
SA49	0	1	1	0	0	0	1	64/32	310000-31FFFF	188000-18FFFF
SA50	0	1	1	0	0	1	0	64/32	320000-32FFFF	190000-197FFF
SA51	0	1	1	0	0	1	1	64/32	330000-33FFFF	198000-19FFFF
SA52	0	1	1	0	1	0	0	64/32	340000-34FFFF	1A0000-1A7FFF
SA53	0	1	1	0	1	0	1	64/32	350000-35FFFF	1A8000-1AFFFF
SA54	0	1	1	0	1	1	0	64/32	360000-36FFFF	1B0000-1B7FFF
SA55	0	1	1	0	1	1	1	64/32	370000-37FFFF	1B8000-1BFFFF
SA56	0	1	1	1	0	0	0	64/32	380000-38FFFF	1C0000-1C7FFF
SA57	0	1	1	1	0	0	1	64/32	390000-39FFFF	1C8000-1CFFFF
SA58	0	1	1	1	0	1	0	64/32	3A0000-3AFFFF	1D0000-1D7FFF
SA59	0	1	1	1	0	1	1	64/32	3B0000-3BFFFF	1D8000-1DFFFF
SA60	0	1	1	1	1	0	0	64/32	3C0000-3CFFFF	1E0000-1E7FFF
SA61	0	1	1	1	1	0	1	64/32	3D0000-3DFFFF	1E8000-1EFFFF
SA62	0	1	1	1	1	1	0	64/32	3E0000-3EFFFF	1F0000-1F7FFF
SA63	0	1	1	1	1	1	1	64/32	3F0000-3FFFFF	1F8000-1FFFFF
SA64	1	0	0	0	0	0	0	64/32	400000-40FFFF	200000-207FFF
SA65	1	0	0	0	0	0	1	64/32	410000-41FFFF	208000-20FFFF
SA66	1	0	0	0	0	1	0	64/32	420000-42FFFF	210000-217FFF
SA67	1	0	0	0	0	1	1	64/32	430000-43FFFF	218000-21FFFF
SA68	1	0	0	0	1	0	0	64/32	440000-44FFFF	220000-227FFF

**Table 7. S29GL064M (Model RI, R2) Sector Address Table (Continued)**

Sector	A21-A15							Sector Size (Kbytes/ Kwords)	8-bit Address Range (in hexadecimal)	16-bit Address Range (in hexadecimal)
SA69	1	0	0	0	1	0	1	64/32	450000-45FFFF	228000-22FFFF
SA70	1	0	0	0	1	1	0	64/32	460000-46FFFF	230000-237FFF
SA71	1	0	0	0	1	1	1	64/32	470000-47FFFF	238000-23FFFF
SA72	1	0	0	1	0	0	0	64/32	480000-48FFFF	240000-247FFF
SA73	1	0	0	1	0	0	1	64/32	490000-49FFFF	248000-24FFFF
SA74	1	0	0	1	0	1	0	64/32	4A0000-4AFFFF	250000-257FFF
SA75	1	0	0	1	0	1	1	64/32	4B0000-4BFFFF	258000-25FFFF
SA76	1	0	0	1	1	0	0	64/32	4C0000-4CFFFF	260000-267FFF
SA77	1	0	0	1	1	0	1	64/32	4D0000-4DFFFF	268000-26FFFF
SA78	1	0	0	1	1	1	0	64/32	4E0000-4EFFFF	270000-277FFF
SA79	1	0	0	1	1	1	1	64/32	4F0000-4FFFFF	278000-27FFFF
SA80	1	0	1	0	0	0	0	64/32	500000-50FFFF	280000-287FFF
SA81	1	0	1	0	0	0	1	64/32	510000-51FFFF	288000-28FFFF
SA82	1	0	1	0	0	1	0	64/32	520000-52FFFF	290000-297FFF
SA83	1	0	1	0	0	1	1	64/32	530000-53FFFF	298000-29FFFF
SA84	1	0	1	0	1	0	0	64/32	540000-54FFFF	2A0000-2A7FFF
SA85	1	0	1	0	1	0	1	64/32	550000-55FFFF	2A8000-2AFFFF
SA86	1	0	1	0	1	1	0	64/32	560000-56FFFF	2B0000-2B7FFF
SA87	1	0	1	0	1	1	1	64/32	570000-57FFFF	2B8000-2BFFFF
SA88	1	0	1	1	0	0	0	64/32	580000-58FFFF	2C0000-2C7FFF
SA89	1	0	1	1	0	0	1	64/32	590000-59FFFF	2C8000-2CFFFF
SA90	1	0	1	1	0	1	0	64/32	5A0000-5AFFFF	2D0000-2D7FFF
SA91	1	0	1	1	0	1	1	64/32	5B0000-5BFFFF	2D8000-2DFFFF
SA92	1	0	1	1	1	0	0	64/32	5C0000-5CFFFF	2E0000-2E7FFF
SA93	1	0	1	1	1	0	1	64/32	5D0000-5DFFFF	2E8000-2EFFFF
SA94	1	0	1	1	1	1	0	64/32	5E0000-5EFFFF	2F0000-2F7FFF
SA95	1	0	1	1	1	1	1	64/32	5F0000-5FFFFF	2F8000-2FFFFF
SA96	1	1	0	0	0	0	0	64/32	600000-60FFFF	300000-307FFF
SA97	1	1	0	0	0	0	1	64/32	610000-61FFFF	308000-30FFFF
SA98	1	1	0	0	0	1	0	64/32	620000-62FFFF	310000-317FFF
SA99	1	1	0	0	0	1	1	64/32	630000-63FFFF	318000-31FFFF
SA100	1	1	0	0	1	0	0	64/32	640000-64FFFF	320000-327FFF
SA101	1	1	0	0	1	0	1	64/32	650000-65FFFF	328000-32FFFF
SA102	1	1	0	0	1	1	0	64/32	660000-66FFFF	330000-337FFF
SA103	1	1	0	0	1	1	1	64/32	670000-67FFFF	338000-33FFFF

Table 7. S29GL064M (Model R1, R2) Sector Address Table (Continued)

Sector	A21-A15							Sector Size (Kbytes/ Kwords)	8-bit Address Range (in hexadecimal)	16-bit Address Range (in hexadecimal)
SA104	1	1	0	1	0	0	0	64/32	680000-68FFFF	340000-347FFF
SA105	1	1	0	1	0	0	1	64/32	690000-69FFFF	348000-34FFFF
SA106	1	1	0	1	0	1	0	64/32	6A0000-6AFFFF	350000-357FFF
SA107	1	1	0	1	0	1	1	64/32	6B0000-6BFFFF	358000-35FFFF
SA108	1	1	0	1	1	0	0	64/32	6C0000-6CFFFF	360000-367FFF
SA109	1	1	0	1	1	0	1	64/32	6D0000-6DFFFF	368000-36FFFF
SA110	1	1	0	1	1	1	0	64/32	6E0000-6EFFFF	370000-377FFF
SA111	1	1	0	1	1	1	1	64/32	6F0000-6FFFFF	378000-37FFFF
SA112	1	1	1	0	0	0	0	64/32	700000-70FFFF	380000-387FFF
SA113	1	1	1	0	0	0	1	64/32	710000-71FFFF	388000-38FFFF
SA114	1	1	1	0	0	1	0	64/32	720000-72FFFF	390000-397FFF
SA115	1	1	1	0	0	1	1	64/32	730000-73FFFF	398000-39FFFF
SA116	1	1	1	0	1	0	0	64/32	740000-74FFFF	3A0000-3A7FFF
SA117	1	1	1	0	1	0	1	64/32	750000-75FFFF	3A8000-3AFFFF
SA118	1	1	1	0	1	1	0	64/32	760000-76FFFF	3B0000-3B7FFF
SA119	1	1	1	0	1	1	1	64/32	770000-77FFFF	3B8000-3BFFFF
SA120	1	1	1	1	0	0	0	64/32	780000-78FFFF	3C0000-3C7FFF
SA121	1	1	1	1	0	0	1	64/32	790000-79FFFF	3C8000-3CFFFF
SA122	1	1	1	1	0	1	0	64/32	7A0000-7AFFFF	3D0000-3D7FFF
SA123	1	1	1	1	0	1	1	64/32	7B0000-7BFFFF	3D8000-3DFFFF
SA124	1	1	1	1	1	0	0	64/32	7C0000-7CFFFF	3E0000-3E7FFF
SA125	1	1	1	1	1	0	1	64/32	7D0000-7DFFFF	3E8000-3EFFFF
SA126	1	1	1	1	1	1	0	64/32	7E0000-7EFFFF	3F0000-3F7FFF
SA127	1	1	1	1	1	1	1	64/32	7F0000-7FFFFF	3F8000-3FFFFF

Table 8. S29GL064M (Model R3) Top Boot Sector Architecture

Sector	Sector Address A21-A12	Sector Size (Kbytes/Kwords)	(x8) Address Range	(x16) Address Range
SA0	000000xxx	64/32	000000h-00FFFFh	00000h-07FFFh
SA1	000001xxx	64/32	010000h-01FFFFh	08000h-0FFFFh
SA2	000010xxx	64/32	020000h-02FFFFh	10000h-17FFFh
SA3	000011xxx	64/32	030000h-03FFFFh	18000h-1FFFFh
SA4	0000100xxx	64/32	040000h-04FFFFh	20000h-27FFFh
SA5	0000101xxx	64/32	050000h-05FFFFh	28000h-2FFFFh
SA6	0000110xxx	64/32	060000h-06FFFFh	30000h-37FFFh

**Table 8. S29GL064M (Model R3) Top Boot Sector Architecture (Continued)**

Sector	Sector Address A21-A12	Sector Size (Kbytes/Kwords)	(x8) Address Range	(x16) Address Range
SA7	000011xxx	64/32	070000h-07FFFFh	38000h-3FFFFh
SA8	0001000xxx	64/32	080000h-08FFFFh	40000h-47FFFFh
SA9	0001001xxx	64/32	090000h-09FFFFh	48000h-4FFFFh
SA10	0001010xxx	64/32	0A0000h-0AFFFFh	50000h-57FFFFh
SA11	0001011xxx	64/32	0B0000h-0BFFFFh	58000h-5FFFFh
SA12	0001100xxx	64/32	0C0000h-0CFFFFh	60000h-67FFFFh
SA13	0001101xxx	64/32	0D0000h-0DFFFFh	68000h-6FFFFh
SA14	0001101xxx	64/32	0E0000h-0EFFFFh	70000h-77FFFFh
SA15	0001111xxx	64/32	0F0000h-0FFFFFh	78000h-7FFFFh
SA16	0010000xxx	64/32	100000h-00FFFFh	80000h-87FFFFh
SA17	0010001xxx	64/32	110000h-11FFFFh	88000h-8FFFFh
SA18	0010010xxx	64/32	120000h-12FFFFh	90000h-97FFFFh
SA19	0010011xxx	64/32	130000h-13FFFFh	98000h-9FFFFh
SA20	0010100xxx	64/32	140000h-14FFFFh	A0000h-A7FFFFh
SA21	0010101xxx	64/32	150000h-15FFFFh	A8000h-AFFFFh
SA22	0010110xxx	64/32	160000h-16FFFFh	B0000h-B7FFFFh
SA23	0010111xxx	64/32	170000h-17FFFFh	B8000h-BFFFFh
SA24	0011000xxx	64/32	180000h-18FFFFh	C0000h-C7FFFFh
SA25	0011001xxx	64/32	190000h-19FFFFh	C8000h-CFFFFh
SA26	0011010xxx	64/32	1A0000h-1AFFFFh	D0000h-D7FFFFh
SA27	0011011xxx	64/32	1B0000h-1BFFFFh	D8000h-DFFFFh
SA28	0011000xxx	64/32	1C0000h-1CFFFFh	E0000h-E7FFFFh
SA29	0011101xxx	64/32	1D0000h-1DFFFFh	E8000h-EFFFFh
SA30	0011110xxx	64/32	1E0000h-1EFFFFh	F0000h-F7FFFFh
SA31	0011111xxx	64/32	1F0000h-1FFFFFh	F8000h-FFFFFh
SA32	0100000xxx	64/32	200000h-20FFFFh	F9000h-I07FFFFh
SA33	0100001xxx	64/32	210000h-21FFFFh	I08000h-I0FFFFh
SA34	0100010xxx	64/32	220000h-22FFFFh	I10000h-I17FFFFh
SA35	0101011xxx	64/32	230000h-23FFFFh	I18000h-I1FFFFh
SA36	0101010xxx	64/32	240000h-24FFFFh	I20000h-I27FFFFh
SA37	0101011xxx	64/32	250000h-25FFFFh	I28000h-I2FFFFh
SA38	010110xxx	64/32	260000h-26FFFFh	I30000h-I37FFFFh
SA39	010111xxx	64/32	270000h-27FFFFh	I38000h-I3FFFFh
SA40	0101000xxx	64/32	280000h-28FFFFh	I40000h-I47FFFFh
SA41	0101001xxx	64/32	290000h-29FFFFh	I48000h-I4FFFFh
SA42	0101010xxx	64/32	2A0000h-2AFFFFh	I50000h-I57FFFFh



Table 8. S29GL064M (Model R3) Top Boot Sector Architecture (Continued)

Sector	Sector Address A21-A12	Sector Size (Kbytes/Kwords)	(x8) Address Range	(x16) Address Range
SA43	010101xxx	64/32	2B0000h-2BFFFFh	158000h-15FFFFh
SA44	010100xxx	64/32	2C0000h-2CFFFFh	160000h-16FFFFh
SA45	010101xxx	64/32	2D0000h-2DFFFFh	168000h-16FFFFh
SA46	010110xxx	64/32	2E0000h-2EFFFFh	170000h-17FFFFh
SA47	010111xxx	64/32	2F0000h-2FFFFFh	178000h-17FFFFh
SA48	0110000xxx	64/32	300000h-30FFFFh	180000h-187FFFFh
SA49	0110001xxx	64/32	310000h-31FFFFh	188000h-18FFFFh
SA50	0110010xxx	64/32	320000h-32FFFFh	190000h-197FFFFh
SA51	0110011xxx	64/32	330000h-33FFFFh	198000h-19FFFFh
SA52	0100100xxx	64/32	340000h-34FFFFh	1A0000h-1A7FFFFh
SA53	0110101xxx	64/32	350000h-35FFFFh	1A8000h-1AFFFFh
SA54	0110110xxx	64/32	360000h-36FFFFh	1B0000h-1B7FFFFh
SA55	0110111xxx	64/32	370000h-37FFFFh	1B8000h-1BFFFFh
SA56	0111000xxx	64/32	380000h-38FFFFh	1C0000h-1C7FFFFh
SA57	0111001xxx	64/32	390000h-39FFFFh	1C8000h-1CFFFFh
SA58	0111010xxx	64/32	3A0000h-3AFFFFh	1D0000h-1D7FFFFh
SA59	0111011xxx	64/32	3B0000h-3BFFFFh	1D8000h-1DFFFFh
SA60	0111100xxx	64/32	3C0000h-3CFFFFh	1E0000h-1E7FFFFh
SA61	0111101xxx	64/32	3D0000h-3DFFFFh	1E8000h-1EFFFFh
SA62	0111110xxx	64/32	3E0000h-3EFFFFh	1F0000h-1F7FFFFh
SA63	0111111xxx	64/32	3F0000h-3FFFFFh	1F8000h-1FFFFFh
SA64	1000000xxx	64/32	400000h-40FFFFh	200000h-207FFFFh
SA65	1000001xxx	64/32	410000h-41FFFFh	208000h-20FFFFh
SA66	1000010xxx	64/32	420000h-42FFFFh	210000h-217FFFFh
SA67	1000011xxx	64/32	430000h-43FFFFh	218000h-21FFFFh
SA68	1000100xxx	64/32	440000h-44FFFFh	220000h-227FFFFh
SA69	1000101xxx	64/32	450000h-45FFFFh	228000h-22FFFFh
SA70	1000110xxx	64/32	460000h-46FFFFh	230000h-237FFFFh
SA71	1000111xxx	64/32	470000h-47FFFFh	238000h-23FFFFh
SA72	1001000xxx	64/32	480000h-48FFFFh	240000h-247FFFFh
SA73	1001001xxx	64/32	490000h-49FFFFh	248000h-24FFFFh
SA74	1001010xxx	64/32	4A0000h-4AFFFFh	250000h-257FFFFh
SA75	1001011xxx	64/32	4B0000h-4BFFFFh	258000h-25FFFFh
SA76	1001100xxx	64/32	4C0000h-4CFFFFh	260000h-267FFFFh
SA77	1001101xxx	64/32	4D0000h-4DFFFFh	268000h-26FFFFh
SA78	1001110xxx	64/32	4E0000h-4EFFFFh	270000h-277FFFFh

**Table 8. S29GL064M (Model R3) Top Boot Sector Architecture (Continued)**

Sector	Sector Address A21-A12	Sector Size (Kbytes/Kwords)	(x8) Address Range	(x16) Address Range
SA79	I00111xxx	64/32	4F0000h-4FFFFFFh	278000h-27FFFFh
SA80	I010000xxx	64/32	500000h-50FFFFFFh	280000h-28FFFFh
SA81	I010001xxx	64/32	510000h-51FFFFFFh	288000h-28FFFFh
SA82	I010010xxx	64/32	520000h-52FFFFFFh	290000h-297FFFh
SA83	I010011xxx	64/32	530000h-53FFFFFFh	298000h-29FFFFh
SA84	I010100xxx	64/32	540000h-54FFFFFFh	2A0000h-2A7FFFh
SA85	I010101xxx	64/32	550000h-55FFFFFFh	2A8000h-2AFFFFh
SA86	I010110xxx	64/32	560000h-56FFFFFFh	2B0000h-2B7FFFh
SA87	I010111xxx	64/32	570000h-57FFFFFFh	2B8000h-2BFFFFh
SA88	I011000xxx	64/32	580000h-58FFFFFFh	2C0000h-2C7FFFh
SA89	I011001xxx	64/32	590000h-59FFFFFFh	2C8000h-2CFFFFh
SA90	I011010xxx	64/32	5A0000h-5AFFFFh	2D0000h-2D7FFFh
SA91	I011011xxx	64/32	5B0000h-5BFFFFh	2D8000h-2DFFFFh
SA92	I011100xxx	64/32	5C0000h-5CFFFFh	2E0000h-2E7FFFh
SA93	I011101xxx	64/32	5D0000h-5DFFFFh	2E8000h-2EFFFFh
SA94	I011110xxx	64/32	5E0000h-5EFFFFh	2F0000h-2FFFFh
SA95	I011111xxx	64/32	5F0000h-5FFFFFFh	2F8000h-2FFFFh
SA96	I100000xxx	64/32	600000h-60FFFFFFh	300000h-307FFFh
SA97	I100001xxx	64/32	610000h-61FFFFh	308000h-30FFFFh
SA98	I100010xxx	64/32	620000h-62FFFFh	310000h-317FFFh
SA99	I100011xxx	64/32	630000h-63FFFFh	318000h-31FFFFh
SAI00	I100100xxx	64/32	640000h-64FFFFh	320000h-327FFFh
SAI01	I100101xxx	64/32	650000h-65FFFFh	328000h-32FFFFh
SAI02	I100110xxx	64/32	660000h-66FFFFh	330000h-337FFFh
SAI03	I100111xxx	64/32	670000h-67FFFFh	338000h-33FFFFh
SAI04	I101000xxx	64/32	680000h-68FFFFh	340000h-347FFFh
SAI05	I101001xxx	64/32	690000h-69FFFFh	348000h-34FFFFh
SAI06	I101010xxx	64/32	6A0000h-6AFFFFh	350000h-357FFFh
SAI07	I101011xxx	64/32	6B0000h-6BFFFFh	358000h-35FFFFh
SAI08	I101100xxx	64/32	6C0000h-6CFFFFh	360000h-367FFFh
SAI09	I101101xxx	64/32	6D0000h-6DFFFFh	368000h-36FFFFh
SAI10	I101110xxx	64/32	6E0000h-6EFFFFh	370000h-377FFFh
SAI11	I101111xxx	64/32	6F0000h-6FFFFFFh	378000h-37FFFFh
SAI12	I110000xxx	64/32	700000h-70FFFFFFh	380000h-387FFFh
SAI13	I110001xxx	64/32	710000h-71FFFFh	388000h-38FFFFh
SAI14	I110010xxx	64/32	720000h-72FFFFh	390000h-397FFFh

**Table 8. S29GL064M (Model R3) Top Boot Sector Architecture (Continued)**

Sector	Sector Address A21-A12	Sector Size (Kbytes/Kwords)	(x8) Address Range	(x16) Address Range
SAI15	111001xxx	64/32	730000h-73FFFFh	398000h-39FFFFh
SAI16	111010xxx	64/32	740000h-74FFFFh	3A0000h-3A7FFFh
SAI17	111011xxx	64/32	750000h-75FFFFh	3A8000h-3AFFFFh
SAI18	1110110xxx	64/32	760000h-76FFFFh	3B0000h-3B7FFFh
SAI19	1110111xxx	64/32	770000h-77FFFFh	3B8000h-3BFFFFh
SAI20	1111000xxx	64/32	780000h-78FFFFh	3C0000h-3C7FFFh
SAI21	1111001xxx	64/32	790000h-79FFFFh	3C8000h-3CFFFFh
SAI22	1111010xxx	64/32	7A0000h-7AFFFFh	3D0000h-3D7FFFh
SAI23	1111011xxx	64/32	7B0000h-7BFFFFh	3D8000h-3DFFFFh
SAI24	1111100xxx	64/32	7C0000h-7CFFFFh	3E0000h-3E7FFFh
SAI25	1111101xxx	64/32	7D0000h-7DFFFFh	3E8000h-3EFFFFh
SAI26	1111110xxx	64/32	7E0000h-7EFFFFh	3F0000h-3F7FFFh
SAI27	111111000	8/4	7F0000h-7F1FFFh	3F8000h-3F8FFFh
SAI28	111111001	8/4	7F2000h-7F3FFFh	3F9000h-3F9FFFh
SAI29	111111010	8/4	7F4000h-7F5FFFh	3FA000h-3FAFFFh
SAI30	111111011	8/4	7F6000h-7F7FFFh	3FB000h-3FBFFFh
SAI31	111111100	8/4	7F8000h-7F9FFFh	3FC000h-3FCFFFh
SAI32	111111101	8/4	7FA000h-7FBFFFh	3FD000h-3FDFFFh
SAI33	111111110	8/4	7FC000h-7FDFFFh	3FE000h-3FEFFFh
SAI34	111111111	8/4	7FE000h-7FFFFFFh	3FF000h-3FFFFFFh

**Table 9. S29GL064M (Model R4) Bottom Boot Sector Architecture**

Sector	Sector Address A21-A12	Sector Size (Kbytes/Kwords)	(x8) Address Range	(x16) Address Range
SA0	000000000	8/4	000000h-001FFFh	00000h-00FFFh
SA1	000000001	8/4	002000h-003FFFh	01000h-01FFFh
SA2	000000010	8/4	004000h-005FFFh	02000h-02FFFh
SA3	000000011	8/4	006000h-007FFFh	03000h-03FFFh
SA4	000000100	8/4	008000h-009FFFh	04000h-04FFFh
SA5	000000101	8/4	00A000h-00BFFFh	05000h-05FFFh
SA6	000000110	8/4	00C000h-00DFFFh	06000h-06FFFh
SA7	000000111	8/4	00E000h-00FFFFFFh	07000h-07FFFh
SA8	000001xxx	64/32	010000h-01FFFFh	08000h-0FFFFh
SA9	000010xxx	64/32	020000h-02FFFFh	10000h-17FFFh
SA10	000011xxx	64/32	030000h-03FFFFh	18000h-1FFFFh
SA11	0000100xxx	64/32	040000h-04FFFFh	20000h-27FFFh
SA12	0000101xxx	64/32	050000h-05FFFFh	28000h-2FFFFh

**Table 9. S29GL064M (Model R4) Bottom Boot Sector Architecture (Continued)**

Sector	Sector Address A21-A12	Sector Size (Kbytes/Kwords)	(x8) Address Range	(x16) Address Range
SA13	0000110xxx	64/32	060000h-06FFFFh	30000h-37FFFh
SA14	0000111xxx	64/32	070000h-07FFFFh	38000h-3FFFFh
SA15	0001000xxx	64/32	080000h-08FFFFh	40000h-47FFFh
SA16	0001001xxx	64/32	090000h-09FFFFh	48000h-4FFFFh
SA17	0001010xxx	64/32	0A0000h-0AFFFFh	50000h-57FFFh
SA18	0001011xxx	64/32	0B0000h-0BFFFFh	58000h-5FFFFh
SA19	0001100xxx	64/32	0C0000h-0CFFFFh	60000h-67FFFh
SA20	0001101xxx	64/32	0D0000h-0DFFFFh	68000h-6FFFFh
SA21	0001110xxx	64/32	0E0000h-0EFFFFh	70000h-77FFFh
SA22	0001111xxx	64/32	0F0000h-0FFFFFh	78000h-7FFFFh
SA23	0010000xxx	64/32	100000h-10FFFFh	80000h-87FFFh
SA24	0010001xxx	64/32	110000h-11FFFFh	88000h-8FFFFh
SA25	0010010xxx	64/32	120000h-12FFFFh	90000h-97FFFh
SA26	0010011xxx	64/32	130000h-13FFFFh	98000h-9FFFFh
SA27	0010100xxx	64/32	140000h-14FFFFh	A0000h-A7FFFh
SA28	0010101xxx	64/32	150000h-15FFFFh	A8000h-AFFFFh
SA29	0010110xxx	64/32	160000h-16FFFFh	B0000h-B7FFFh
SA30	0010111xxx	64/32	170000h-17FFFFh	B8000h-BFFFFh
SA31	0011000xxx	64/32	180000h-18FFFFh	C0000h-C7FFFh
SA32	0011001xxx	64/32	190000h-19FFFFh	C8000h-CFFFFh
SA33	0011010xxx	64/32	1A0000h-1AFFFFh	D0000h-D7FFFh
SA34	0011011xxx	64/32	1B0000h-1BFFFFh	D8000h-DFFFFh
SA35	0011000xxx	64/32	1C0000h-1CFFFFh	E0000h-E7FFFh
SA36	0011101xxx	64/32	1D0000h-1DFFFFh	E8000h-EFFFFh
SA37	0011110xxx	64/32	1E0000h-1EFFFFh	F0000h-F7FFFh
SA38	0011111xxx	64/32	1F0000h-1FFFFFh	F8000h-FFFFFh
SA39	0100000xxx	64/32	200000h-20FFFFh	F9000h-I07FFFh
SA40	0100001xxx	64/32	210000h-21FFFFh	I08000h-I0FFFFh
SA41	0100010xxx	64/32	220000h-22FFFFh	I10000h-I17FFFh
SA42	0101011xxx	64/32	230000h-23FFFFh	I18000h-I1FFFFh
SA43	0100100xxx	64/32	240000h-24FFFFh	I20000h-I27FFFh
SA44	0100101xxx	64/32	250000h-25FFFFh	I28000h-I2FFFFh
SA45	0100110xxx	64/32	260000h-26FFFFh	I30000h-I37FFFh
SA46	0100111xxx	64/32	270000h-27FFFFh	I38000h-I3FFFFh
SA47	0101000xxx	64/32	280000h-28FFFFh	I40000h-I47FFFh
SA48	0101001xxx	64/32	290000h-29FFFFh	I48000h-I4FFFFh

**Table 9. S29GL064M (Model R4) Bottom Boot Sector Architecture (Continued)**

Sector	Sector Address A21–A12	Sector Size (Kbytes/Kwords)	(x8) Address Range	(x16) Address Range
SA49	0101010xxx	64/32	2A0000h–2AFFFFh	150000h–15FFFFh
SA50	0101011xxx	64/32	2B0000h–2BFFFFh	158000h–15FFFFh
SA51	0101100xxx	64/32	2C0000h–2CFFFFh	160000h–167FFFh
SA52	0101101xxx	64/32	2D0000h–2DFFFFh	168000h–16FFFFh
SA53	0101110xxx	64/32	2E0000h–2EFFFFh	170000h–177FFFh
SA54	0101111xxx	64/32	2F0000h–2FFFFFh	178000h–17FFFFh
SA55	0110000xxx	64/32	300000h–30FFFFh	180000h–187FFFh
SA56	0110001xxx	64/32	310000h–31FFFFh	188000h–18FFFFh
SA57	0110010xxx	64/32	320000h–32FFFFh	190000h–197FFFh
SA58	0110011xxx	64/32	330000h–33FFFFh	198000h–19FFFFh
SA59	0100100xxx	64/32	340000h–34FFFFh	1A0000h–1A7FFFh
SA60	0110101xxx	64/32	350000h–35FFFFh	1A8000h–1AFFFFh
SA61	0110110xxx	64/32	360000h–36FFFFh	1B0000h–1B7FFFh
SA62	0110111xxx	64/32	370000h–37FFFFh	1B8000h–1BFFFFh
SA63	0111000xxx	64/32	380000h–38FFFFh	1C0000h–1C7FFFh
SA64	0111001xxx	64/32	390000h–39FFFFh	1C8000h–1CFFFFh
SA65	0111010xxx	64/32	3A0000h–3AFFFFh	1D0000h–1D7FFFh
SA66	0111011xxx	64/32	3B0000h–3BFFFFh	1D8000h–1DFFFFh
SA67	0111100xxx	64/32	3C0000h–3CFFFFh	1E0000h–1E7FFFh
SA68	0111101xxx	64/32	3D0000h–3DFFFFh	1E8000h–1EFFFFh
SA69	0111110xxx	64/32	3E0000h–3EFFFFh	1F0000h–1F7FFFh
SA70	0111111xxx	64/32	3F0000h–3FFFFFh	1F8000h–1FFFFFh
SA71	1000000xxx	64/32	400000h–40FFFFh	200000h–207FFFh
SA72	1000001xxx	64/32	410000h–41FFFFh	208000h–20FFFFh
SA73	1000010xxx	64/32	420000h–42FFFFh	210000h–217FFFh
SA74	1000011xxx	64/32	430000h–43FFFFh	218000h–21FFFFh
SA75	1000100xxx	64/32	440000h–44FFFFh	220000h–227FFFh
SA76	1000101xxx	64/32	450000h–45FFFFh	228000h–22FFFFh
SA77	1000110xxx	64/32	460000h–46FFFFh	230000h–237FFFh
SA78	1000111xxx	64/32	470000h–47FFFFh	238000h–23FFFFh
SA79	1001000xxx	64/32	480000h–48FFFFh	240000h–247FFFh
SA80	1001001xxx	64/32	490000h–49FFFFh	248000h–24FFFFh
SA81	1001010xxx	64/32	4A0000h–4AFFFFh	250000h–257FFFh
SA82	1001011xxx	64/32	4B0000h–4BFFFFh	258000h–25FFFFh
SA83	1001100xxx	64/32	4C0000h–4CFFFFh	260000h–267FFFh
SA84	1001101xxx	64/32	4D0000h–4DFFFFh	268000h–26FFFFh

**Table 9. S29GL064M (Model R4) Bottom Boot Sector Architecture (Continued)**

Sector	Sector Address A21-A12	Sector Size (Kbytes/Kwords)	(x8) Address Range	(x16) Address Range
SA85	I00110xxx	64/32	4E0000h-4EFFFFh	270000h-277FFFh
SA86	I00111xxx	64/32	4F0000h-4FFFFFFh	278000h-27FFFFh
SA87	I01000xxx	64/32	500000h-50FFFFh	280000h-28FFFFh
SA88	I01000lxxx	64/32	510000h-51FFFFh	288000h-28FFFFh
SA89	I010010xxx	64/32	520000h-52FFFFh	290000h-297FFFh
SA90	I01001lxxx	64/32	530000h-53FFFFh	298000h-29FFFFh
SA91	I010100xxx	64/32	540000h-54FFFFh	2A0000h-2A7FFFh
SA92	I01010lxxx	64/32	550000h-55FFFFh	2A8000h-2AFFFFh
SA93	I010110xxx	64/32	560000h-56FFFFh	2B0000h-2B7FFFh
SA94	I01011lxxx	64/32	570000h-57FFFFh	2B8000h-2BFFFFh
SA95	I011000xxx	64/32	580000h-58FFFFh	2C0000h-2C7FFFh
SA96	I01100lxxx	64/32	590000h-59FFFFh	2C8000h-2CFFFFh
SA97	I011010xxx	64/32	5A0000h-5AFFFFh	2D0000h-2D7FFFh
SA98	I01101lxxx	64/32	5B0000h-5BFFFFh	2D8000h-2DFFFFh
SA99	I01100xxx	64/32	5C0000h-5CFFFFh	2E0000h-2E7FFFh
SAI00	I01101lxxx	64/32	5D0000h-5DFFFFh	2E8000h-2EFFFFh
SAI01	I011110xxx	64/32	5E0000h-5EFFFFh	2F0000h-2FFFFh
SAI02	I01111lxxx	64/32	5F0000h-5FFFFFFh	2F8000h-2FFFFFFh
SAI03	I100000xxx	64/32	600000h-60FFFFh	300000h-307FFFh
SAI04	I10000lxxx	64/32	610000h-61FFFFh	308000h-30FFFFh
SAI05	I100010xxx	64/32	620000h-62FFFFh	310000h-317FFFh
SAI06	I10001lxxx	64/32	630000h-63FFFFh	318000h-31FFFFh
SAI07	I100100xxx	64/32	640000h-64FFFFh	320000h-327FFFh
SAI08	I10010lxxx	64/32	650000h-65FFFFh	328000h-32FFFFh
SAI09	I100110xxx	64/32	660000h-66FFFFh	330000h-337FFFh
SAI10	I10011lxxx	64/32	670000h-67FFFFh	338000h-33FFFFh
SAI11	I101000xxx	64/32	680000h-68FFFFh	340000h-347FFFh
SAI12	I10100lxxx	64/32	690000h-69FFFFh	348000h-34FFFFh
SAI13	I101010xxx	64/32	6A0000h-6AFFFFh	350000h-357FFFh
SAI14	I10101lxxx	64/32	6B0000h-6BFFFFh	358000h-35FFFFh
SAI15	I101100xxx	64/32	6C0000h-6CFFFFh	360000h-367FFFh
SAI16	I10110lxxx	64/32	6D0000h-6DFFFFh	368000h-36FFFFh
SAI17	I101110xxx	64/32	6E0000h-6EFFFFh	370000h-377FFFh
SAI18	I10111lxxx	64/32	6F0000h-6FFFFFFh	378000h-37FFFFh
SAI19	I110000xxx	64/32	700000h-70FFFFh	380000h-387FFFh
SAI20	I11000lxxx	64/32	710000h-71FFFFh	388000h-38FFFFh

**Table 9. S29GL064M (Model R4) Bottom Boot Sector Architecture (Continued)**

Sector	Sector Address A21-A12	Sector Size (Kbytes/Kwords)	(x8) Address Range	(x16) Address Range
SAI21	IIII0I0xxx	64/32	720000h-72FFFFh	390000h-397FFFh
SAI22	IIII0IIxxx	64/32	730000h-73FFFFh	398000h-39FFFFh
SAI23	IIII0I0xxx	64/32	740000h-74FFFFh	3A0000h-3A7FFFh
SAI24	IIII0I0xxx	64/32	750000h-75FFFFh	3A8000h-3AFFFFh
SAI25	IIII0I0xxx	64/32	760000h-76FFFFh	3B0000h-3B7FFFh
SAI26	IIII0IIxxx	64/32	770000h-77FFFFh	3B8000h-3BFFFFh
SAI27	IIII000xxx	64/32	780000h-78FFFFh	3C0000h-3C7FFFh
SAI28	IIII00Ixxx	64/32	790000h-79FFFFh	3C8000h-3CFFFFh
SAI29	IIII0I0xxx	64/32	7A0000h-7AFFFFh	3D0000h-3D7FFFh
SAI30	IIII0IIxxx	64/32	7B0000h-7BFFFFh	3D8000h-3DFFFFh
SAI31	IIII000xxx	64/32	7C0000h-7CFFFFh	3E0000h-3E7FFFh
SAI32	IIII0I0xxx	64/32	7D0000h-7DFFFFh	3E8000h-3EFFFFh
SAI33	IIII000xxx	64/32	7E0000h-7EFFFFh	3F0000h-3F7FFFh
SAI34	IIII00000	64/32	7F0000h-7FFFFFh	3F8000h-3FFFFFh

**Table 10. S29GL064M (Model R5) Sector Address Table**

Sector	A21-A15							16-bit Address Range (in hexadecimal)
	A21	A20	A19	A18	A17	A16	A15	
SA0	0	0	0	0	0	0	0	000000-007FFF
SA1	0	0	0	0	0	0	1	008000-00FFFF
SA2	0	0	0	0	0	1	0	010000-017FFF
SA3	0	0	0	0	0	1	1	018000-01FFFF
SA4	0	0	0	0	1	0	0	020000-027FFF
SA5	0	0	0	0	1	0	1	028000-02FFFF
SA6	0	0	0	0	1	1	0	030000-037FFF
SA7	0	0	0	0	1	1	1	038000-03FFFF
SA8	0	0	0	1	0	0	0	040000-047FFF
SA9	0	0	0	1	0	0	1	048000-04FFFF
SA10	0	0	0	1	0	1	0	050000-057FFF
SA11	0	0	0	1	0	1	1	058000-05FFFF
SA12	0	0	0	1	1	0	0	060000-067FFF
SA13	0	0	0	1	1	0	1	068000-06FFFF
SA14	0	0	0	1	1	1	0	070000-077FFF
SA15	0	0	0	1	1	1	1	078000-07FFFF
SA16	0	0	1	0	0	0	0	080000-087FFF
SA17	0	0	1	0	0	0	1	088000-08FFFF
SA18	0	0	1	0	0	1	0	090000-097FFF
SA19	0	0	1	0	0	1	1	098000-09FFFF
SA20	0	0	1	0	1	0	0	0A0000-0A7FFF
SA21	0	0	1	0	1	0	1	0A8000-0AFFFF
SA22	0	0	1	0	1	1	0	0B0000-0B7FFF

**Table I0. S29GL064M (Model R5) Sector Address Table (Continued)**

Sector	A21-A15							16-bit Address Range (in hexadecimal)
SA23	0	0	1	0	1	1	1	0B8000-0BFFFF
SA24	0	0	1	1	0	0	0	0C0000-0C7FFF
SA25	0	0	1	1	0	0	1	0C8000-0CFFFF
SA26	0	0	1	1	0	1	0	0D0000-0D7FFF
SA27	0	0	1	1	0	1	1	0D8000-0DFFFF
SA28	0	0	1	1	1	0	0	0E0000-0E7FFF
SA29	0	0	1	1	1	0	1	0E8000-0EFFFF
SA30	0	0	1	1	1	1	0	0F0000-0F7FFF
SA31	0	0	1	1	1	1	1	0F8000-0FFFFF
SA64	1	0	0	0	0	0	0	200000-207FFF
SA65	1	0	0	0	0	0	1	208000-20FFFF
SA66	1	0	0	0	0	1	0	210000-217FFF
SA67	1	0	0	0	0	1	1	218000-21FFFF
SA68	1	0	0	0	1	0	0	220000-227FFF
SA69	1	0	0	0	1	0	1	228000-22FFFF
SA70	1	0	0	0	1	1	0	230000-237FFF
SA71	1	0	0	0	1	1	1	238000-23FFFF
SA72	1	0	0	1	0	0	0	240000-247FFF
SA73	1	0	0	1	0	0	1	248000-24FFFF
SA74	1	0	0	1	0	1	0	250000-257FFF
SA75	1	0	0	1	0	1	1	258000-25FFFF
SA76	1	0	0	1	1	0	0	260000-267FFF
SA77	1	0	0	1	1	0	1	268000-26FFFF
SA78	1	0	0	1	1	1	0	270000-277FFF
SA79	1	0	0	1	1	1	1	278000-27FFFF
SA80	1	0	1	0	0	0	0	280000-287FFF
SA81	1	0	1	0	0	0	1	288000-28FFFF
SA82	1	0	1	0	0	1	0	290000-297FFF
SA83	1	0	1	0	0	1	1	298000-29FFFF
SA84	1	0	1	0	1	0	0	2A0000-2A7FFF
SA85	1	0	1	0	1	0	1	2A8000-2AFFFF
SA86	1	0	1	0	1	1	0	2B0000-2B7FFF
SA87	1	0	1	0	1	1	1	2B8000-2BFFFF
SA88	1	0	1	1	0	0	0	2C0000-2C7FFF
SA89	1	0	1	1	0	0	1	2C8000-2CFFFF
SA90	1	0	1	1	0	1	0	2D0000-2D7FFF
SA91	1	0	1	1	0	1	1	2D8000-2DFFFF
SA92	1	0	1	1	1	0	0	2E0000-2E7FFF
SA93	1	0	1	1	1	0	1	2E8000-2EFFFF
SA94	1	0	1	1	1	1	0	2F0000-2F7FFF
SA95	1	0	1	1	1	1	1	2F8000-2FFFFF
SA32	0	1	0	0	0	0	0	100000-107FFF
SA33	0	1	0	0	0	0	1	108000-10FFFF
SA34	0	1	0	0	0	1	0	110000-117FFF
SA35	0	1	0	0	0	1	1	118000-11FFFF



Table I0. S29GL064M (Model R5) Sector Address Table (Continued)

Sector	A21-A15							16-bit Address Range (in hexadecimal)
SA36	0	1	0	0	1	0	0	120000-127FFF
SA37	0	1	0	0	1	0	1	128000-12FFFF
SA38	0	1	0	0	1	1	0	130000-137FFF
SA39	0	1	0	0	1	1	1	138000-13FFFF
SA40	0	1	0	1	0	0	0	140000-147FFF
SA41	0	1	0	1	0	0	1	148000-14FFFF
SA42	0	1	0	1	0	1	0	150000-157FFF
SA43	0	1	0	1	0	1	1	158000-15FFFF
SA44	0	1	0	1	1	0	0	160000-167FFF
SA45	0	1	0	1	1	0	1	168000-16FFFF
SA46	0	1	0	1	1	1	0	170000-177FFF
SA47	0	1	0	1	1	1	1	178000-17FFFF
SA48	0	1	1	0	0	0	0	180000-187FFF
SA49	0	1	1	0	0	0	1	188000-18FFFF
SA50	0	1	1	0	0	1	0	190000-197FFF
SA51	0	1	1	0	0	1	1	198000-19FFFF
SA52	0	1	1	0	1	0	0	1A0000-1A7FFF
SA53	0	1	1	0	1	0	1	1A8000-1AFFFF
SA54	0	1	1	0	1	1	0	1B0000-1B7FFF
SA55	0	1	1	0	1	1	1	1B8000-1BFFFF
SA56	0	1	1	1	0	0	0	1C0000-1C7FFF
SA57	0	1	1	1	0	0	1	1C8000-1CFFFF
SA58	0	1	1	1	0	1	0	1D0000-1D7FFF
SA59	0	1	1	1	0	1	1	1D8000-1DFFFF
SA60	0	1	1	1	1	0	0	1E0000-1E7FFF
SA61	0	1	1	1	1	0	1	1E8000-1EFFFF
SA62	0	1	1	1	1	1	0	1F0000-1F7FFF
SA63	0	1	1	1	1	1	1	1F8000-1FFFFF
SA96	1	1	0	0	0	0	0	300000-307FFF
SA97	1	1	0	0	0	0	1	308000-30FFFF
SA98	1	1	0	0	0	1	0	310000-317FFF
SA99	1	1	0	0	0	1	1	318000-31FFFF
SA100	1	1	0	0	1	0	0	320000-327FFF
SA101	1	1	0	0	1	0	1	328000-32FFFF
SA102	1	1	0	0	1	1	0	330000-337FFF
SA103	1	1	0	0	1	1	1	338000-33FFFF
SA104	1	1	0	1	0	0	0	340000-347FFF
SA105	1	1	0	1	0	0	1	348000-34FFFF
SA106	1	1	0	1	0	1	0	350000-357FFF
SA107	1	1	0	1	0	1	1	358000-35FFFF
SA108	1	1	0	1	1	0	0	360000-367FFF
SA109	1	1	0	1	1	0	1	368000-36FFFF
SA110	1	1	0	1	1	1	0	370000-377FFF
SA111	1	1	0	1	1	1	1	378000-37FFFF
SA112	1	1	1	0	0	0	0	380000-387FFF

**Table I0. S29GL064M (Model R5) Sector Address Table (Continued)**

Sector	A21-A15							16-bit Address Range (in hexadecimal)
SA113	1	1	1	0	0	0	1	388000-38FFFF
SA114	1	1	1	0	0	1	0	390000-397FFF
SA115	1	1	1	0	0	1	1	398000-39FFFF
SA116	1	1	1	0	1	0	0	3A0000-3A7FFF
SA117	1	1	1	0	1	0	1	3A8000-3AFFFF
SA118	1	1	1	0	1	1	0	3B0000-3B7FFF
SA119	1	1	1	0	1	1	1	3B8000-3BFFFF
SA120	1	1	1	1	0	0	0	3C0000-3C7FFF
SA121	1	1	1	1	0	0	1	3C8000-3CFFFF
SA122	1	1	1	1	0	1	0	3D0000-3D7FFF
SA123	1	1	1	1	0	1	1	3D8000-3DFFFF
SA124	1	1	1	1	1	0	0	3E0000-3E7FFF
SA125	1	1	1	1	1	0	1	3E8000-3EFFFF
SA126	1	1	1	1	1	1	0	3F0000-3F7FFF
SA127	1	1	1	1	1	1	1	3F8000-3FFFFF

**Table II. S29GL064M (Model R6, R7) Sector Address Table**

Sector	A21-A15							16-bit Address Range (in hexadecimal)
SA0	0	0	0	0	0	0	0	000000-007FFF
SA1	0	0	0	0	0	0	1	008000-00FFFF
SA2	0	0	0	0	0	1	0	010000-017FFF
SA3	0	0	0	0	0	1	1	018000-01FFFF
SA4	0	0	0	0	1	0	0	020000-027FFF
SA5	0	0	0	0	1	0	1	028000-02FFFF
SA6	0	0	0	0	1	1	0	030000-037FFF
SA7	0	0	0	0	1	1	1	038000-03FFFF
SA8	0	0	0	1	0	0	0	040000-047FFF
SA9	0	0	0	1	0	0	1	048000-04FFFF
SA10	0	0	0	1	0	1	0	050000-057FFF
SA11	0	0	0	1	0	1	1	058000-05FFFF
SA12	0	0	0	1	1	0	0	060000-067FFF
SA13	0	0	0	1	1	0	1	068000-06FFFF
SA14	0	0	0	1	1	1	0	070000-077FFF
SA15	0	0	0	1	1	1	1	078000-07FFFF
SA16	0	0	1	0	0	0	0	080000-087FFF
SA17	0	0	1	0	0	0	1	088000-08FFFF
SA18	0	0	1	0	0	1	0	090000-097FFF
SA19	0	0	1	0	0	1	1	098000-09FFFF
SA20	0	0	1	0	1	0	0	0A0000-0A7FFF
SA21	0	0	1	0	1	0	1	0A8000-0AFFFF
SA22	0	0	1	0	1	1	0	0B0000-0B7FFF
SA23	0	0	1	0	1	1	1	0B8000-0BFFFF
SA24	0	0	1	1	0	0	0	0C0000-0C7FFF

Table II. S29GL064M (Model R6, R7) Sector Address Table (Continued)

Sector	A21-A15							16-bit Address Range (in hexadecimal)
SA25	0	0	1	1	0	0	1	0C8000-0CFFFF
SA26	0	0	1	1	0	1	0	0D0000-0D7FFF
SA27	0	0	1	1	0	1	1	0D8000-0DFFFF
SA28	0	0	1	1	1	0	0	0E0000-0E7FFF
SA29	0	0	1	1	1	0	1	0E8000-0EFFFF
SA30	0	0	1	1	1	1	0	0F0000-0F7FFF
SA31	0	0	1	1	1	1	1	0F8000-0FFFFF
SA64	1	0	0	0	0	0	0	200000-207FFF
SA65	1	0	0	0	0	0	1	208000-20FFFF
SA66	1	0	0	0	0	1	0	210000-217FFF
SA67	1	0	0	0	0	1	1	218000-21FFFF
SA68	1	0	0	0	1	0	0	220000-227FFF
SA69	1	0	0	0	1	0	1	228000-22FFFF
SA70	1	0	0	0	1	1	0	230000-237FFF
SA71	1	0	0	0	1	1	1	238000-23FFFF
SA72	1	0	0	1	0	0	0	240000-247FFF
SA73	1	0	0	1	0	0	1	248000-24FFFF
SA74	1	0	0	1	0	1	0	250000-257FFF
SA75	1	0	0	1	0	1	1	258000-25FFFF
SA76	1	0	0	1	1	0	0	260000-267FFF
SA77	1	0	0	1	1	0	1	268000-26FFFF
SA78	1	0	0	1	1	1	0	270000-277FFF
SA79	1	0	0	1	1	1	1	278000-27FFFF
SA80	1	0	1	0	0	0	0	280000-287FFF
SA81	1	0	1	0	0	0	1	288000-28FFFF
SA82	1	0	1	0	0	1	0	290000-297FFF
SA83	1	0	1	0	0	1	1	298000-29FFFF
SA84	1	0	1	0	1	0	0	2A0000-2A7FFF
SA85	1	0	1	0	1	0	1	2A8000-2AFFFF
SA86	1	0	1	0	1	1	0	2B0000-2B7FFF
SA87	1	0	1	0	1	1	1	2B8000-2BFFFF
SA88	1	0	1	1	0	0	0	2C0000-2C7FFF
SA89	1	0	1	1	0	0	1	2C8000-2CFFFF
SA90	1	0	1	1	0	1	0	2D0000-2D7FFF
SA91	1	0	1	1	0	1	1	2D8000-2DFFFF
SA92	1	0	1	1	1	0	0	2E0000-2E7FFF
SA93	1	0	1	1	1	0	1	2E8000-2EFFFF
SA94	1	0	1	1	1	1	0	2F0000-2F7FFF
SA95	1	0	1	1	1	1	1	2F8000-2FFFFF
SA32	0	1	0	0	0	0	0	100000-107FFF
SA33	0	1	0	0	0	0	1	108000-10FFFF
SA34	0	1	0	0	0	1	0	110000-117FFF
SA35	0	1	0	0	0	1	1	118000-11FFFF
SA36	0	1	0	0	1	0	0	120000-127FFF
SA37	0	1	0	0	1	0	1	128000-12FFFF

**Table II. S29GL064M (Model R6, R7) Sector Address Table (Continued)**

Sector	A21-A15							16-bit Address Range (in hexadecimal)
	0	1	0	0	1	1	0	
SA38	0	1	0	0	1	1	0	130000-137FFF
SA39	0	1	0	0	1	1	1	138000-13FFFF
SA40	0	1	0	1	0	0	0	140000-147FFF
SA41	0	1	0	1	0	0	1	148000-14FFFF
SA42	0	1	0	1	0	1	0	150000-157FFF
SA43	0	1	0	1	0	1	1	158000-15FFFF
SA44	0	1	0	1	1	0	0	160000-167FFF
SA45	0	1	0	1	1	0	1	168000-16FFFF
SA46	0	1	0	1	1	1	0	170000-177FFF
SA47	0	1	0	1	1	1	1	178000-17FFFF
SA48	0	1	1	0	0	0	0	180000-187FFF
SA49	0	1	1	0	0	0	1	188000-18FFFF
SA50	0	1	1	0	0	1	0	190000-197FFF
SA51	0	1	1	0	0	1	1	198000-19FFFF
SA52	0	1	1	0	1	0	0	1A0000-1A7FFF
SA53	0	1	1	0	1	0	1	1A8000-1AFFFF
SA54	0	1	1	0	1	1	0	1B0000-1B7FFF
SA55	0	1	1	0	1	1	1	1B8000-1BFFFF
SA56	0	1	1	1	0	0	0	1C0000-1C7FFF
SA57	0	1	1	1	0	0	1	1C8000-1CFFFF
SA58	0	1	1	1	0	1	0	1D0000-1D7FFF
SA59	0	1	1	1	0	1	1	1D8000-1DFFFF
SA60	0	1	1	1	1	0	0	1E0000-1E7FFF
SA61	0	1	1	1	1	0	1	1E8000-1EFFFF
SA62	0	1	1	1	1	1	0	1F0000-1F7FFF
SA63	0	1	1	1	1	1	1	1F8000-1FFFFF
SA96	1	1	0	0	0	0	0	300000-307FFF
SA97	1	1	0	0	0	0	1	308000-30FFFF
SA98	1	1	0	0	0	1	0	310000-317FFF
SA99	1	1	0	0	0	1	1	318000-31FFFF
SA100	1	1	0	0	1	0	0	320000-327FFF
SA101	1	1	0	0	1	0	1	328000-32FFFF
SA102	1	1	0	0	1	1	0	330000-337FFF
SA103	1	1	0	0	1	1	1	338000-33FFFF
SA104	1	1	0	1	0	0	0	340000-347FFF
SA105	1	1	0	1	0	0	1	348000-34FFFF
SA106	1	1	0	1	0	1	0	350000-357FFF
SA107	1	1	0	1	0	1	1	358000-35FFFF
SA108	1	1	0	1	1	0	0	360000-367FFF
SA109	1	1	0	1	1	0	1	368000-36FFFF
SA110	1	1	0	1	1	1	0	370000-377FFF
SA111	1	1	0	1	1	1	1	378000-37FFFF
SA112	1	1	1	0	0	0	0	380000-387FFF
SA113	1	1	1	0	0	0	1	388000-38FFFF
SA114	1	1	1	0	0	1	0	390000-397FFF

**Table II. S29GL064M (Model R6, R7) Sector Address Table (Continued)**

Sector	A21-A15							16-bit Address Range (in hexadecimal)
SA115	1	1	1	0	0	1	1	398000-39FFFF
SA116	1	1	1	0	1	0	0	3A0000-3A7FFF
SA117	1	1	1	0	1	0	1	3A8000-3AFFFF
SA118	1	1	1	0	1	1	0	3B0000-3B7FFF
SA119	1	1	1	0	1	1	1	3B8000-3BFFFF
SA120	1	1	1	1	0	0	0	3C0000-3C7FFF
SA121	1	1	1	1	0	0	1	3C8000-3CFFFF
SA122	1	1	1	1	0	1	0	3D0000-3D7FFF
SA123	1	1	1	1	0	1	1	3D8000-3DFFFF
SA124	1	1	1	1	1	0	0	3E0000-3E7FFF
SA125	1	1	1	1	1	0	1	3E8000-3EFFFF
SA126	1	1	1	1	1	1	0	3F0000-3F7FFF
SA127	1	1	1	1	1	1	1	3F8000-3FFFFF

**Table I2. S29GLI28M Sector Address Table**

Sector	A22-A15								Sector Size (Kbytes/ Kwords)	8-bit Address Range (in hexadecimal)	16-bit Address Range (in hexadecimal)
SA0	0	0	0	0	0	0	0	0	64/32	000000-00FFFF	000000-007FFF
SA1	0	0	0	0	0	0	0	1	64/32	010000-01FFFF	008000-00FFFF
SA2	0	0	0	0	0	0	1	0	64/32	020000-02FFFF	010000-017FFF
SA3	0	0	0	0	0	0	1	1	64/32	030000-03FFFF	018000-01FFFF
SA4	0	0	0	0	0	1	0	0	64/32	040000-04FFFF	020000-027FFF
SA5	0	0	0	0	0	1	0	1	64/32	050000-05FFFF	028000-02FFFF
SA6	0	0	0	0	0	1	1	0	64/32	060000-06FFFF	030000-037FFF
SA7	0	0	0	0	0	1	1	1	64/32	070000-07FFFF	038000-03FFFF
SA8	0	0	0	0	1	0	0	0	64/32	080000-08FFFF	040000-047FFF
SA9	0	0	0	0	1	0	0	1	64/32	090000-09FFFF	048000-04FFFF
SA10	0	0	0	0	1	0	1	0	64/32	0A0000-0AFFFF	050000-057FFF
SA11	0	0	0	0	1	0	1	1	64/32	0B0000-0BFFFF	058000-05FFFF
SA12	0	0	0	0	1	1	0	0	64/32	0C0000-0CFFFF	060000-067FFF
SA13	0	0	0	0	1	1	0	1	64/32	0D0000-0DFFFF	068000-06FFFF
SA14	0	0	0	0	1	1	1	0	64/32	0E0000-0EFFFF	070000-077FFF
SA15	0	0	0	0	1	1	1	1	64/32	0F0000-0FFFFF	078000-07FFFF
SA16	0	0	0	1	0	0	0	0	64/32	100000-10FFFF	080000-087FFF
SA17	0	0	0	1	0	0	0	1	64/32	110000-11FFFF	088000-08FFFF
SA18	0	0	0	1	0	0	1	0	64/32	120000-12FFFF	090000-097FFF
SA19	0	0	0	1	0	0	1	1	64/32	130000-13FFFF	098000-09FFFF
SA20	0	0	0	1	0	1	0	0	64/32	140000-14FFFF	0A0000-0A7FFF
SA21	0	0	0	1	0	1	0	1	64/32	150000-15FFFF	0A8000-0AFFFF
SA22	0	0	0	1	0	1	1	0	64/32	160000-16FFFF	0B0000-0B7FFF
SA23	0	0	0	1	0	1	1	1	64/32	170000-17FFFF	0B8000-0BFFFF
SA24	0	0	0	1	1	0	0	0	64/32	180000-18FFFF	0C0000-0C7FFF
SA25	0	0	0	1	1	0	0	1	64/32	190000-19FFFF	0C8000-0CFFFF
SA26	0	0	0	1	1	0	1	0	64/32	1A0000-1AFFFF	0D0000-0D7FFF

**Table I2. S29GLI28M Sector Address Table (Continued)**

Sector	A22-A15								Sector Size (Kbytes/ Kwords)	8-bit Address Range (in hexadecimal)	16-bit Address Range (in hexadecimal)
SA27	0	0	0	1	1	0	1	1	64/32	1B0000-1BFFFF	0D8000-0DFFFF
SA28	0	0	0	1	1	1	0	0	64/32	1C0000-1CFFFF	0E0000-0E7FFF
SA29	0	0	0	1	1	1	0	1	64/32	1D0000-1DFFFF	0E8000-0EFFFF
SA30	0	0	0	1	1	1	1	0	64/32	1E0000-1EFFFF	0F0000-0F7FFF
SA31	0	0	0	1	1	1	1	1	64/32	1F0000-1FFFFF	0F8000-0FFFFF
SA32	0	0	1	0	0	0	0	0	64/32	200000-20FFFF	100000-107FFF
SA33	0	0	1	0	0	0	0	1	64/32	210000-21FFFF	108000-10FFFF
SA34	0	0	1	0	0	0	1	0	64/32	220000-22FFFF	110000-117FFF
SA35	0	0	1	0	0	0	1	1	64/32	230000-23FFFF	118000-11FFFF
SA36	0	0	1	0	0	1	0	0	64/32	240000-24FFFF	120000-127FFF
SA37	0	0	1	0	0	1	0	1	64/32	250000-25FFFF	128000-12FFFF
SA38	0	0	1	0	0	1	1	0	64/32	260000-26FFFF	130000-137FFF
SA39	0	0	1	0	0	1	1	1	64/32	270000-27FFFF	138000-13FFFF
SA40	0	0	1	0	1	0	0	0	64/32	280000-28FFFF	140000-147FFF
SA41	0	0	1	0	1	0	0	1	64/32	290000-29FFFF	148000-14FFFF
SA42	0	0	1	0	1	0	1	0	64/32	2A0000-2AFFFF	150000-157FFF
SA43	0	0	1	0	1	0	1	1	64/32	2B0000-2BFFFF	158000-15FFFF
SA44	0	0	1	0	1	1	0	0	64/32	2C0000-2CFFFF	160000-167FFF
SA45	0	0	1	0	1	1	0	1	64/32	2D0000-2DFFFF	168000-16FFFF
SA46	0	0	1	0	1	1	1	0	64/32	2E0000-2EFFFF	170000-177FFF
SA47	0	0	1	0	1	1	1	1	64/32	2F0000-2FFFFF	178000-17FFFF
SA48	0	0	1	1	0	0	0	0	64/32	300000-30FFFF	180000-187FFF
SA49	0	0	1	1	0	0	0	1	64/32	310000-31FFFF	188000-18FFFF
SA50	0	0	1	1	0	0	1	0	64/32	320000-32FFFF	190000-197FFF
SA51	0	0	1	1	0	0	1	1	64/32	330000-33FFFF	198000-19FFFF
SA52	0	0	1	1	0	1	0	0	64/32	340000-34FFFF	1A0000-1A7FFF
SA53	0	0	1	1	0	1	0	1	64/32	350000-35FFFF	1A8000-1AFFFF
SA54	0	0	1	1	0	1	1	0	64/32	360000-36FFFF	1B0000-1B7FFF
SA55	0	0	1	1	0	1	1	1	64/32	370000-37FFFF	1B8000-1BFFFF
SA56	0	0	1	1	1	0	0	0	64/32	380000-38FFFF	1C0000-1C7FFF
SA57	0	0	1	1	1	0	0	1	64/32	390000-39FFFF	1C8000-1CFFFF
SA58	0	0	1	1	1	0	1	0	64/32	3A0000-3AFFFF	1D0000-1D7FFF
SA59	0	0	1	1	1	0	1	1	64/32	3B0000-3BFFFF	1D8000-1DFFFF
SA60	0	0	1	1	1	1	0	0	64/32	3C0000-3CFFFF	1E0000-1E7FFF
SA61	0	0	1	1	1	1	0	1	64/32	3D0000-3DFFFF	1E8000-1EFFFF
SA62	0	0	1	1	1	1	1	0	64/32	3E0000-3EFFFF	1F0000-1F7FFF
SA63	0	0	1	1	1	1	1	1	64/32	3F0000-3FFFFF	1F8000-1FFFFF
SA64	0	1	0	0	0	0	0	0	64/32	400000-40FFFF	200000-207FFF
SA65	0	1	0	0	0	0	0	1	64/32	410000-41FFFF	208000-20FFFF
SA66	0	1	0	0	0	0	1	0	64/32	420000-42FFFF	210000-217FFF
SA67	0	1	0	0	0	0	1	1	64/32	430000-43FFFF	218000-21FFFF
SA68	0	1	0	0	0	1	0	0	64/32	440000-44FFFF	220000-227FFF
SA69	0	1	0	0	0	1	0	1	64/32	450000-45FFFF	228000-22FFFF
SA70	0	1	0	0	0	1	1	0	64/32	460000-46FFFF	230000-237FFF
SA71	0	1	0	0	0	1	1	1	64/32	470000-47FFFF	238000-23FFFF

Table I2. S29GLI28M Sector Address Table (Continued)

Sector	A22-A15								Sector Size (Kbytes/ Kwords)	8-bit Address Range (in hexadecimal)	16-bit Address Range (in hexadecimal)
SA72	0	1	0	0	1	0	0	0	64/32	480000-48FFFF	240000-247FFF
SA73	0	1	0	0	1	0	0	1	64/32	490000-49FFFF	248000-24FFFF
SA74	0	1	0	0	1	0	1	0	64/32	4A0000-4AFFFF	250000-257FFF
SA75	0	1	0	0	1	0	1	1	64/32	4B0000-4BFFFF	258000-25FFFF
SA76	0	1	0	0	1	1	0	0	64/32	4C0000-4CFFFF	260000-267FFF
SA77	0	1	0	0	1	1	0	1	64/32	4D0000-4DFFFF	268000-26FFFF
SA78	0	1	0	0	1	1	1	0	64/32	4E0000-4EFFFF	270000-277FFF
SA79	0	1	0	0	1	1	1	1	64/32	4F0000-4FFFFF	278000-27FFFF
SA80	0	1	0	1	0	0	0	0	64/32	500000-50FFFF	280000-287FFF
SA81	0	1	0	1	0	0	0	1	64/32	510000-51FFFF	288000-28FFFF
SA82	0	1	0	1	0	0	1	0	64/32	520000-52FFFF	290000-297FFF
SA83	0	1	0	1	0	0	1	1	64/32	530000-53FFFF	298000-29FFFF
SA84	0	1	0	1	0	1	0	0	64/32	540000-54FFFF	2A0000-2A7FFF
SA85	0	1	0	1	0	1	0	1	64/32	550000-55FFFF	2A8000-2AFFFF
SA86	0	1	0	1	0	1	1	0	64/32	560000-56FFFF	2B0000-2B7FFF
SA87	0	1	0	1	0	1	1	1	64/32	570000-57FFFF	2B8000-2BFFFF
SA88	0	1	0	1	1	0	0	0	64/32	580000-58FFFF	2C0000-2C7FFF
SA89	0	1	0	1	1	0	0	1	64/32	590000-59FFFF	2C8000-2CFFFF
SA90	0	1	0	1	1	0	1	0	64/32	5A0000-5AFFFF	2D0000-2D7FFF
SA91	0	1	0	1	1	0	1	1	64/32	5B0000-5BFFFF	2D8000-2DFFFF
SA92	0	1	0	1	1	1	0	0	64/32	5C0000-5CFFFF	2E0000-2E7FFF
SA93	0	1	0	1	1	1	0	1	64/32	5D0000-5DFFFF	2E8000-2EFFFF
SA94	0	1	0	1	1	1	1	0	64/32	5E0000-5EFFFF	2F0000-2F7FFF
SA95	0	1	0	1	1	1	1	1	64/32	5F0000-5FFFFF	2F8000-2FFFFF
SA96	0	1	1	0	0	0	0	0	64/32	600000-60FFFF	300000-307FFF
SA97	0	1	1	0	0	0	0	1	64/32	610000-61FFFF	308000-30FFFF
SA98	0	1	1	0	0	0	1	0	64/32	620000-62FFFF	310000-317FFF
SA99	0	1	1	0	0	0	1	1	64/32	630000-63FFFF	318000-31FFFF
SA100	0	1	1	0	0	1	0	0	64/32	640000-64FFFF	320000-327FFF
SA101	0	1	1	0	0	1	0	1	64/32	650000-65FFFF	328000-32FFFF
SA102	0	1	1	0	0	1	1	0	64/32	660000-66FFFF	330000-337FFF
SA103	0	1	1	0	0	1	1	1	64/32	670000-67FFFF	338000-33FFFF
SA104	0	1	1	0	1	0	0	0	64/32	680000-68FFFF	340000-347FFF
SA105	0	1	1	0	1	0	0	1	64/32	690000-69FFFF	348000-34FFFF
SA106	0	1	1	0	1	0	1	0	64/32	6A0000-6AFFFF	350000-357FFF
SA107	0	1	1	0	1	0	1	1	64/32	6B0000-6BFFFF	358000-35FFFF
SA108	0	1	1	0	1	1	0	0	64/32	6C0000-6CFFFF	360000-367FFF
SA109	0	1	1	0	1	1	0	1	64/32	6D0000-6DFFFF	368000-36FFFF
SA110	0	1	1	0	1	1	1	0	64/32	6E0000-6EFFFF	370000-377FFF
SA111	0	1	1	0	1	1	1	1	64/32	6F0000-6FFFFF	378000-37FFFF
SA112	0	1	1	1	0	0	0	0	64/32	700000-70FFFF	380000-387FFF
SA113	0	1	1	1	0	0	0	1	64/32	710000-71FFFF	388000-38FFFF
SA114	0	1	1	1	0	0	1	0	64/32	720000-72FFFF	390000-397FFF
SA115	0	1	1	1	0	0	1	1	64/32	730000-73FFFF	398000-39FFFF
SA116	0	1	1	1	0	1	0	0	64/32	740000-74FFFF	3A0000-3A7FFF

**Table I2. S29GLI28M Sector Address Table (Continued)**

Sector	A22-A15								Sector Size (Kbytes/ Kwords)	8-bit Address Range (in hexadecimal)	16-bit Address Range (in hexadecimal)
SA117	0	1	1	1	0	1	0	1	64/32	750000-75FFFF	3A8000-3AFFFF
SA118	0	1	1	1	0	1	1	0	64/32	760000-76FFFF	3B0000-3BFFFF
SA119	0	1	1	1	0	1	1	1	64/32	770000-77FFFF	3B8000-3BFFFF
SA120	0	1	1	1	1	0	0	0	64/32	780000-78FFFF	3C0000-3CFFFF
SA121	0	1	1	1	1	0	0	1	64/32	790000-79FFFF	3C8000-3CFFFF
SA122	0	1	1	1	1	0	1	0	64/32	7A0000-7AFFFF	3D0000-3DFFFF
SA123	0	1	1	1	1	0	1	1	64/32	7B0000-7BFFFF	3D8000-3DFFFF
SA124	0	1	1	1	1	1	0	0	64/32	7C0000-7CFFFF	3E0000-3EFFFF
SA125	0	1	1	1	1	1	0	1	64/32	7D0000-7DFFFF	3E8000-3EFFFF
SA126	0	1	1	1	1	1	1	0	64/32	7E0000-7EFFFF	3F0000-3FFFFF
SA127	0	1	1	1	1	1	1	1	64/32	7F0000-7FFFFF	3F8000-3FFFFF
SA128	1	0	0	0	0	0	0	0	64/32	800000-80FFFF	400000-40FFFF
SA129	1	0	0	0	0	0	0	1	64/32	810000-81FFFF	408000-40FFFF
SA130	1	0	0	0	0	0	1	0	64/32	820000-82FFFF	410000-41FFFF
SA131	1	0	0	0	0	0	1	1	64/32	830000-83FFFF	418000-41FFFF
SA132	1	0	0	0	0	1	0	0	64/32	840000-84FFFF	420000-42FFFF
SA133	1	0	0	0	0	1	0	1	64/32	850000-85FFFF	428000-42FFFF
SA134	1	0	0	0	0	1	1	0	64/32	860000-86FFFF	430000-43FFFF
SA135	1	0	0	0	0	1	1	1	64/32	870000-87FFFF	438000-43FFFF
SA136	1	0	0	0	1	0	0	0	64/32	880000-88FFFF	440000-44FFFF
SA137	1	0	0	0	1	0	0	1	64/32	890000-89FFFF	448000-44FFFF
SA138	1	0	0	0	1	0	1	0	64/32	8A0000-8AFFFF	450000-45FFFF
SA139	1	0	0	0	1	0	1	1	64/32	8B0000-8BFFFF	458000-45FFFF
SA140	1	0	0	0	1	1	0	0	64/32	8C0000-8CFFFF	460000-46FFFF
SA141	1	0	0	0	1	1	0	1	64/32	8D0000-8DFFFF	468000-46FFFF
SA142	1	0	0	0	1	1	1	0	64/32	8E0000-8EFFFF	470000-47FFFF
SA143	1	0	0	0	1	1	1	1	64/32	8F0000-8FFFFF	478000-47FFFF
SA144	1	0	0	1	0	0	0	0	64/32	900000-90FFFF	480000-48FFFF
SA145	1	0	0	1	0	0	0	1	64/32	910000-91FFFF	488000-48FFFF
SA146	1	0	0	1	0	0	1	0	64/32	920000-92FFFF	490000-49FFFF
SA147	1	0	0	1	0	0	1	1	64/32	930000-93FFFF	498000-49FFFF
SA148	1	0	0	1	0	1	0	0	64/32	940000-94FFFF	4A0000-4AFFFF
SA149	1	0	0	1	0	1	0	1	64/32	950000-95FFFF	4A8000-4AFFFF
SA150	1	0	0	1	0	1	1	0	64/32	960000-96FFFF	4B0000-4BFFFF
SA151	1	0	0	1	0	1	1	1	64/32	970000-97FFFF	4B8000-4BFFFF
SA152	1	0	0	1	1	0	0	0	64/32	980000-98FFFF	4C0000-4CFFFF
SA153	1	0	0	1	1	0	0	1	64/32	990000-99FFFF	4C8000-4CFFFF
SA154	1	0	0	1	1	0	1	0	64/32	9A0000-9AFFFF	4D0000-4DFFFF
SA155	1	0	0	1	1	0	1	1	64/32	9B0000-9BFFFF	4D8000-4DFFFF
SA156	1	0	0	1	1	1	0	0	64/32	9C0000-9CFFFF	4E0000-4EFFFF
SA157	1	0	0	1	1	1	0	1	64/32	9D0000-9DFFFF	4E8000-4EFFFF
SA158	1	0	0	1	1	1	1	0	64/32	9E0000-9EFFFF	4F0000-4FFFFF
SA159	1	0	0	1	1	1	1	1	64/32	9F0000-9FFFFF	4F8000-4FFFFF
SA160	1	0	1	0	0	0	0	0	64/32	A00000-A0FFFF	500000-50FFFF
SA161	1	0	1	0	0	0	0	1	64/32	A10000-A1FFFF	508000-50FFFF



Table I2. S29GLI28M Sector Address Table (Continued)

Sector	A22-A15								Sector Size (Kbytes/ Kwords)	8-bit Address Range (in hexadecimal)	16-bit Address Range (in hexadecimal)
SA162	1	0	1	0	0	0	1	0	64/32	A20000-A2FFFF	510000-517FFF
SA163	1	0	1	0	0	0	1	1	64/32	A30000-A3FFFF	518000-51FFFF
SA164	1	0	1	0	0	1	0	0	64/32	A40000-A4FFFF	520000-527FFF
SA165	1	0	1	0	0	1	0	1	64/32	A50000-A5FFFF	528000-52FFFF
SA166	1	0	1	0	0	1	1	0	64/32	A60000-A6FFFF	530000-537FFF
SA167	1	0	1	0	0	1	1	1	64/32	A70000-A7FFFF	538000-53FFFF
SA168	1	0	1	0	1	0	0	0	64/32	A80000-A8FFFF	540000-547FFF
SA169	1	0	1	0	1	0	0	1	64/32	A90000-A9FFFF	548000-54FFFF
SA170	1	0	1	0	1	0	1	0	64/32	AA0000-AAFFFF	550000-557FFF
SA171	1	0	1	0	1	0	1	1	64/32	AB0000-ABFFFF	558000-55FFFF
SA172	1	0	1	0	1	1	0	0	64/32	AC0000-ACFFFF	560000-567FFF
SA173	1	0	1	0	1	1	0	1	64/32	AD0000-ADFFFF	568000-56FFFF
SA174	1	0	1	0	1	1	1	0	64/32	AE0000-AEFFFF	570000-577FFF
SA175	1	0	1	0	1	1	1	1	64/32	AF0000-AFFFFF	578000-57FFFF
SA176	1	0	1	1	0	0	0	0	64/32	B00000-B0FFFF	580000-587FFF
SA177	1	0	1	1	0	0	0	1	64/32	B10000-B1FFFF	588000-58FFFF
SA178	1	0	1	1	0	0	1	0	64/32	B20000-B2FFFF	590000-597FFF
SA179	1	0	1	1	0	0	1	1	64/32	B30000-B3FFFF	598000-59FFFF
SA180	1	0	1	1	0	1	0	0	64/32	B40000-B4FFFF	5A0000-5A7FFF
SA181	1	0	1	1	0	1	0	1	64/32	B50000-B5FFFF	5A8000-5AFFFF
SA182	1	0	1	1	0	1	1	0	64/32	B60000-B6FFFF	5B0000-5B7FFF
SA183	1	0	1	1	0	1	1	1	64/32	B70000-B7FFFF	5B8000-5BFFFF
SA184	1	0	1	1	1	0	0	0	64/32	B80000-B8FFFF	5C0000-5C7FFF
SA185	1	0	1	1	1	0	0	1	64/32	B90000-B9FFFF	5C8000-5CFFFF
SA186	1	0	1	1	1	0	1	0	64/32	BA0000-BAFFFF	5D0000-5D7FFF
SA187	1	0	1	1	1	0	1	1	64/32	BB0000-BBFFFF	5D8000-5DFFFF
SA188	1	0	1	1	1	1	0	0	64/32	BC0000-BCFFFF	5E0000-5E7FFF
SA189	1	0	1	1	1	1	0	1	64/32	BD0000-BDFFFF	5E8000-5EFFFF
SA190	1	0	1	1	1	1	1	0	64/32	BE0000-BEFFFF	5F0000-5F7FFF
SA191	1	0	1	1	1	1	1	1	64/32	BF0000-BFFFFF	5F8000-5FFFFF
SA192	1	1	0	0	0	0	0	0	64/32	C00000-C0FFFF	600000-607FFF
SA193	1	1	0	0	0	0	0	1	64/32	C10000-C1FFFF	608000-60FFFF
SA194	1	1	0	0	0	0	1	0	64/32	C20000-C2FFFF	610000-617FFF
SA195	1	1	0	0	0	0	1	1	64/32	C30000-C3FFFF	618000-61FFFF
SA196	1	1	0	0	0	1	0	0	64/32	C40000-C4FFFF	620000-627FFF
SA197	1	1	0	0	0	1	0	1	64/32	C50000-C5FFFF	628000-62FFFF
SA198	1	1	0	0	0	1	1	0	64/32	C60000-C6FFFF	630000-637FFF
SA199	1	1	0	0	0	1	1	1	64/32	C70000-C7FFFF	638000-63FFFF
SA200	1	1	0	0	1	0	0	0	64/32	C80000-C8FFFF	640000-647FFF
SA201	1	1	0	0	1	0	0	1	64/32	C90000-C9FFFF	648000-64FFFF
SA202	1	1	0	0	1	0	1	0	64/32	CA0000-CAFFFF	650000-657FFF
SA203	1	1	0	0	1	0	1	1	64/32	CB0000-CBFFFF	658000-65FFFF
SA204	1	1	0	0	1	1	0	0	64/32	CC0000-CCFFFF	660000-667FFF
SA205	1	1	0	0	1	1	0	1	64/32	CD0000-CDFFFF	668000-66FFFF
SA206	1	1	0	0	1	1	1	0	64/32	CE0000-CEFFFF	670000-677FFF

**Table I2. S29GLI28M Sector Address Table (Continued)**

Sector	A22-A15								Sector Size (Kbytes/ Kwords)	8-bit Address Range (in hexadecimal)	16-bit Address Range (in hexadecimal)
SA207	1	1	0	0	1	1	1	1	64/32	CF0000-CFFFFF	678000-67FFFF
SA208	1	1	0	1	0	0	0	0	64/32	D00000-D0FFFF	680000-687FFF
SA209	1	1	0	1	0	0	0	1	64/32	D10000-D1FFFF	688000-68FFFF
SA210	1	1	0	1	0	0	1	0	64/32	D20000-D2FFFF	690000-697FFF
SA211	1	1	0	1	0	0	1	1	64/32	D30000-D3FFFF	698000-69FFFF
SA212	1	1	0	1	0	1	0	0	64/32	D40000-D4FFFF	6A0000-6A7FFF
SA213	1	1	0	1	0	1	0	1	64/32	D50000-D5FFFF	6A8000-6AFFFF
SA214	1	1	0	1	0	1	1	0	64/32	D60000-D6FFFF	6B0000-6B7FFF
SA215	1	1	0	1	0	1	1	1	64/32	D70000-D7FFFF	6B8000-6BFFFF
SA216	1	1	0	1	1	0	0	0	64/32	D80000-D8FFFF	6C0000-6C7FFF
SA217	1	1	0	1	1	0	0	1	64/32	D90000-D9FFFF	6C8000-6CFFFF
SA218	1	1	0	1	1	0	1	0	64/32	DA0000-DAFFFF	6D0000-6D7FFF
SA219	1	1	0	1	1	0	1	1	64/32	DB0000-DBFFFF	6D8000-6DFFFF
SA220	1	1	0	1	1	1	0	0	64/32	DC0000-DCFFFF	6E0000-6E7FFF
SA221	1	1	0	1	1	1	0	1	64/32	DD0000-DDFFFF	6E8000-6EFFFF
SA222	1	1	0	1	1	1	1	0	64/32	DE0000-DEFFFF	6F0000-6F7FFF
SA223	1	1	0	1	1	1	1	1	64/32	DF0000-DFFFFF	6F8000-6FFFFF
SA224	1	1	1	0	0	0	0	0	64/32	E00000-E0FFFF	700000-707FFF
SA225	1	1	1	0	0	0	0	1	64/32	E10000-E1FFFF	708000-70FFFF
SA226	1	1	1	0	0	0	1	0	64/32	E20000-E2FFFF	710000-717FFF
SA227	1	1	1	0	0	0	1	1	64/32	E30000-E3FFFF	718000-71FFFF
SA228	1	1	1	0	0	1	0	0	64/32	E40000-E4FFFF	720000-727FFF
SA229	1	1	1	0	0	1	0	1	64/32	E50000-E5FFFF	728000-72FFFF
SA230	1	1	1	0	0	1	1	0	64/32	E60000-E6FFFF	730000-737FFF
SA231	1	1	1	0	0	1	1	1	64/32	E70000-E7FFFF	738000-73FFFF
SA232	1	1	1	0	1	0	0	0	64/32	E80000-E8FFFF	740000-747FFF
SA233	1	1	1	0	1	0	0	1	64/32	E90000-E9FFFF	748000-74FFFF
SA234	1	1	1	0	1	0	1	0	64/32	EA0000-EAFFFF	750000-757FFF
SA235	1	1	1	0	1	0	1	1	64/32	EB0000-EBFFFF	758000-75FFFF
SA236	1	1	1	0	1	1	0	0	64/32	EC0000-ECFFFF	760000-767FFF
SA237	1	1	1	0	1	1	0	1	64/32	ED0000-EDFFFF	768000-76FFFF
SA238	1	1	1	0	1	1	1	0	64/32	EE0000-EEFFFF	770000-777FFF
SA239	1	1	1	0	1	1	1	1	64/32	EF0000-EFFFFF	778000-77FFFF
SA240	1	1	1	1	0	0	0	0	64/32	F00000-F0FFFF	780000-787FFF
SA241	1	1	1	1	0	0	0	1	64/32	F10000-F1FFFF	788000-78FFFF
SA242	1	1	1	1	0	0	1	0	64/32	F20000-F2FFFF	790000-797FFF
SA243	1	1	1	1	0	0	1	1	64/32	F30000-F3FFFF	798000-79FFFF
SA244	1	1	1	1	0	1	0	0	64/32	F40000-F4FFFF	7A0000-7A7FFF
SA245	1	1	1	1	0	1	0	1	64/32	F50000-F5FFFF	7A8000-7AFFFF
SA246	1	1	1	1	0	1	1	0	64/32	F60000-F6FFFF	7B0000-7B7FFF
SA247	1	1	1	1	0	1	1	1	64/32	F70000-F7FFFF	7B8000-7BFFFF
SA248	1	1	1	1	1	0	0	0	64/32	F80000-F8FFFF	7C0000-7C7FFF
SA249	1	1	1	1	1	0	0	1	64/32	F90000-F9FFFF	7C8000-7CFFFF
SA250	1	1	1	1	1	0	1	0	64/32	FA0000-FAFFFF	7D0000-7D7FFF
SA251	1	1	1	1	1	0	1	1	64/32	FB0000-FBFFFF	7D8000-7DFFFF

Table I2. S29GLI28M Sector Address Table (Continued)

Sector	A22-A15								Sector Size (Kbytes/ Kwords)	8-bit Address Range (in hexadecimal)	16-bit Address Range (in hexadecimal)
SA252	1	1	1	1	1	1	0	0	64/32	FC0000-FCFFFF	7E0000-7E7FFF
SA253	1	1	1	1	1	1	0	1	64/32	FD0000-FDFFFF	7E8000-7EFFFF
SA254	1	1	1	1	1	1	1	0	64/32	FE0000-FEFFFF	7F0000-7F7FFF
SA255	1	1	1	1	1	1	1	1	64/32	FF0000-FFFFFF	7F8000-7FFFFF

Table I3. S29GL256M Sector Address Table

Sector	A23-A15									Sector Size (Kbytes/ Kwords)	8-bit Address Range (in hexadecimal)	16-bit Address Range (in hexadecimal)
SA0	0	0	0	0	0	0	0	0	0	64/32	0000000-000FFFF	000000-007FFF
SA1	0	0	0	0	0	0	0	0	1	64/32	0010000-001FFFF	008000-00FFFF
SA2	0	0	0	0	0	0	0	0	1	64/32	0020000-002FFFF	010000-017FFF
SA3	0	0	0	0	0	0	0	0	1	64/32	0030000-003FFFF	018000-01FFFF
SA4	0	0	0	0	0	0	1	0	0	64/32	0040000-004FFFF	020000-027FFF
SA5	0	0	0	0	0	0	1	0	1	64/32	0050000-005FFFF	028000-02FFFF
SA6	0	0	0	0	0	0	1	1	0	64/32	0060000-006FFFF	030000-037FFF
SA7	0	0	0	0	0	0	1	1	1	64/32	0070000-007FFFF	038000-03FFFF
SA8	0	0	0	0	0	1	0	0	0	64/32	0080000-008FFFF	040000-047FFF
SA9	0	0	0	0	0	1	0	0	1	64/32	0090000-009FFFF	048000-04FFFF
SA10	0	0	0	0	0	1	0	1	0	64/32	00A0000-00AFFFF	050000-057FFF
SA11	0	0	0	0	0	1	0	1	1	64/32	00B0000-00BFFFF	058000-05FFFF
SA12	0	0	0	0	0	1	1	0	0	64/32	00C0000-00CFFFF	060000-067FFF
SA13	0	0	0	0	0	1	1	0	1	64/32	00D0000-00DFFFF	068000-06FFFF
SA14	0	0	0	0	0	1	1	1	0	64/32	00E0000-00EFFFF	070000-077FFF
SA15	0	0	0	0	0	1	1	1	1	64/32	00F0000-00FFFFFF	078000-07FFFF
SA16	0	0	0	0	1	0	0	0	0	64/32	0100000-010FFFF	080000-087FFF
SA17	0	0	0	0	1	0	0	0	1	64/32	0110000-011FFFF	088000-08FFFF
SA18	0	0	0	0	1	0	0	1	0	64/32	0120000-012FFFF	090000-097FFF
SA19	0	0	0	0	1	0	0	1	1	64/32	0130000-013FFFF	098000-09FFFF
SA20	0	0	0	0	1	0	1	0	0	64/32	0140000-014FFFF	0A0000-0A7FFF
SA21	0	0	0	0	1	0	1	0	1	64/32	0150000-015FFFF	0A8000-0AFFFF
SA22	0	0	0	0	1	0	1	1	0	64/32	0160000-016FFFF	0B0000-0B7FFF
SA23	0	0	0	0	1	0	1	1	1	64/32	0170000-017FFFF	0B8000-0BFFFF
SA24	0	0	0	0	1	1	0	0	0	64/32	0180000-018FFFF	0C0000-0C7FFF
SA25	0	0	0	0	1	1	0	0	1	64/32	0190000-019FFFF	0C8000-0CFFFF
SA26	0	0	0	0	1	1	0	1	0	64/32	01A0000-01AFFFF	0D0000-0D7FFF
SA27	0	0	0	0	1	1	0	1	1	64/32	01B0000-01BFFFF	0D8000-0DFFFF
SA28	0	0	0	0	1	1	1	0	0	64/32	01C0000-01CFFFF	0E0000-0E7FFF
SA29	0	0	0	0	1	1	1	0	1	64/32	01D0000-01DFFFF	0E8000-0EFFFF
SA30	0	0	0	0	1	1	1	1	0	64/32	01E0000-01EFFFF	0F0000-0F7FFF
SA31	0	0	0	0	1	1	1	1	1	64/32	01F0000-01FFFFFF	0F8000-0FFFFFFF
SA32	0	0	0	1	0	0	0	0	0	64/32	0200000-020FFFF	100000-107FFF
SA33	0	0	0	1	0	0	0	0	1	64/32	0210000-021FFFF	108000-10FFFF
SA34	0	0	0	1	0	0	0	1	0	64/32	0220000-022FFFF	110000-117FFF

**Table I3. S29GL256M Sector Address Table (Continued)**

Sector	A23-A15									Sector Size (Kbytes/ Kwords)	8-bit Address Range (in hexadecimal)	16-bit Address Range (in hexadecimal)
	0	0	0	1	0	0	0	1	1			
SA35	0	0	0	1	0	0	0	1	1	64/32	0230000-023FFFF	118000-11FFFF
SA36	0	0	0	1	0	0	1	0	0	64/32	0240000-024FFFF	120000-127FFF
SA37	0	0	0	1	0	0	1	0	1	64/32	0250000-025FFFF	128000-12FFFF
SA38	0	0	0	1	0	0	1	1	0	64/32	0260000-026FFFF	130000-137FFF
SA39	0	0	0	1	0	0	1	1	1	64/32	0270000-027FFFF	138000-13FFFF
SA40	0	0	0	1	0	1	0	0	0	64/32	0280000-028FFFF	140000-147FFF
SA41	0	0	0	1	0	1	0	0	1	64/32	0290000-029FFFF	148000-14FFFF
SA42	0	0	0	1	0	1	0	1	0	64/32	02A0000-02AFFFF	150000-157FFF
SA43	0	0	0	1	0	1	0	1	1	64/32	02B0000-02BFFFF	158000-15FFFF
SA44	0	0	0	1	0	1	1	0	0	64/32	02C0000-02CFFFF	160000-167FFF
SA45	0	0	0	1	0	1	1	0	1	64/32	02D0000-02DFFFF	168000-16FFFF
SA46	0	0	0	1	0	1	1	1	0	64/32	02E0000-02EFFFF	170000-177FFF
SA47	0	0	0	1	0	1	1	1	1	64/32	02F0000-02FFFF	178000-17FFFF
SA48	0	0	0	1	1	0	0	0	0	64/32	0300000-030FFFF	180000-187FFF
SA49	0	0	0	1	1	0	0	0	1	64/32	0310000-031FFFF	188000-18FFFF
SA50	0	0	0	1	1	0	0	1	0	64/32	0320000-032FFFF	190000-197FFF
SA51	0	0	0	1	1	0	0	1	1	64/32	0330000-033FFFF	198000-19FFFF
SA52	0	0	0	1	1	0	1	0	0	64/32	0340000-034FFFF	1A0000-1A7FFF
SA53	0	0	0	1	1	0	1	0	1	64/32	0350000-035FFFF	1A8000-1AFFFF
SA54	0	0	0	1	1	0	1	1	0	64/32	0360000-036FFFF	1B0000-1B7FFF
SA55	0	0	0	1	1	0	1	1	1	64/32	0370000-037FFFF	1B8000-1BFFFF
SA56	0	0	0	1	1	1	0	0	0	64/32	0380000-038FFFF	1C0000-1C7FFF
SA57	0	0	0	1	1	1	0	0	1	64/32	0390000-039FFFF	1C8000-1CFFFF
SA58	0	0	0	1	1	1	0	1	0	64/32	03A0000-03AFFFF	1D0000-1D7FFF
SA59	0	0	0	1	1	1	0	1	1	64/32	03B0000-03BFFFF	1D8000-1DFFFF
SA60	0	0	0	1	1	1	1	0	0	64/32	03C0000-03CFFFF	1E0000-1E7FFF
SA61	0	0	0	1	1	1	1	0	1	64/32	03D0000-03DFFFF	1E8000-1EFFFF
SA62	0	0	0	1	1	1	1	1	0	64/32	03E0000-03EFFFF	1F0000-1F7FFF
SA63	0	0	0	1	1	1	1	1	1	64/32	03F0000-03FFFF	1F8000-1FFFF
SA64	0	0	1	0	0	0	0	0	0	64/32	0400000-040FFFF	200000-207FFF
SA65	0	0	1	0	0	0	0	0	1	64/32	0410000-041FFFF	208000-20FFFF
SA66	0	0	1	0	0	0	0	1	0	64/32	0420000-042FFFF	210000-217FFF
SA67	0	0	1	0	0	0	0	1	1	64/32	0430000-043FFFF	218000-21FFFF
SA68	0	0	1	0	0	0	1	0	0	64/32	0440000-044FFFF	220000-227FFF
SA69	0	0	1	0	0	0	1	0	1	64/32	0450000-045FFFF	228000-22FFFF
SA70	0	0	1	0	0	0	1	1	0	64/32	0460000-046FFFF	230000-237FFF
SA71	0	0	1	0	0	0	1	1	1	64/32	0470000-047FFFF	238000-23FFFF
SA72	0	0	1	0	0	1	0	0	0	64/32	0480000-048FFFF	240000-247FFF
SA73	0	0	1	0	0	1	0	0	1	64/32	0490000-049FFFF	248000-24FFFF
SA74	0	0	1	0	0	1	0	1	0	64/32	04A0000-04AFFFF	250000-257FFF
SA75	0	0	1	0	0	1	0	1	1	64/32	04B0000-04BFFFF	258000-25FFFF
SA76	0	0	1	0	0	1	1	0	0	64/32	04C0000-04CFFFF	260000-267FFF
SA77	0	0	1	0	0	1	1	0	1	64/32	04D0000-04DFFFF	268000-26FFFF
SA78	0	0	1	0	0	1	1	1	0	64/32	04E0000-04EFFFF	270000-277FFF
SA79	0	0	1	0	0	1	1	1	1	64/32	04F0000-04FFFF	278000-27FFFF

Table I3. S29GL256M Sector Address Table (Continued)

Sector	A23-A15									Sector Size (Kbytes/ Kwords)	8-bit Address Range (in hexadecimal)	16-bit Address Range (in hexadecimal)
	0	0	1	0	1	0	0	0	0			
SA80	0	0	1	0	1	0	0	0	0	64/32	0500000-050FFFF	280000-287FFF
SA81	0	0	1	0	1	0	0	0	1	64/32	0510000-051FFFF	288000-28FFFF
SA82	0	0	1	0	1	0	0	1	0	64/32	0520000-052FFFF	290000-297FFF
SA83	0	0	1	0	1	0	0	1	1	64/32	0530000-053FFFF	298000-29FFFF
SA84	0	0	1	0	1	0	1	0	0	64/32	0540000-054FFFF	2A0000-2A7FFF
SA85	0	0	1	0	1	0	1	0	1	64/32	0550000-055FFFF	2A8000-2AFFFF
SA86	0	0	1	0	1	0	1	1	0	64/32	0560000-056FFFF	2B0000-2B7FFF
SA87	0	0	1	0	1	0	1	1	1	64/32	0570000-057FFFF	2B8000-2BFFFF
SA88	0	0	1	0	1	1	0	0	0	64/32	0580000-058FFFF	2C0000-2C7FFF
SA89	0	0	1	0	1	1	0	0	1	64/32	0590000-059FFFF	2C8000-2CFFFF
SA90	0	0	1	0	1	1	0	1	0	64/32	05A0000-05AFFFF	2D0000-2D7FFF
SA91	0	0	1	0	1	1	0	1	1	64/32	05B0000-05BFFFF	2D8000-2DFFFF
SA92	0	0	1	0	1	1	1	0	0	64/32	05C0000-05CFFFF	2E0000-2E7FFF
SA93	0	0	1	0	1	1	1	0	1	64/32	05D0000-05DFFFF	2E8000-2EFFFF
SA94	0	0	1	0	1	1	1	1	0	64/32	05E0000-05EFFFF	2F0000-2F7FFF
SA95	0	0	1	0	1	1	1	1	1	64/32	05F0000-05FFFF	2F8000-2FFFF
SA96	0	0	1	1	0	0	0	0	0	64/32	0600000-060FFFF	300000-307FFF
SA97	0	0	1	1	0	0	0	0	1	64/32	0610000-061FFFF	308000-30FFFF
SA98	0	0	1	1	0	0	0	1	0	64/32	0620000-062FFFF	310000-317FFF
SA99	0	0	1	1	0	0	0	1	1	64/32	0630000-063FFFF	318000-31FFFF
SA100	0	0	1	1	0	0	1	0	0	64/32	0640000-064FFFF	320000-327FFF
SA101	0	0	1	1	0	0	1	0	1	64/32	0650000-065FFFF	328000-32FFFF
SA102	0	0	1	1	0	0	1	1	0	64/32	0660000-066FFFF	330000-337FFF
SA103	0	0	1	1	0	0	1	1	1	64/32	0670000-067FFFF	338000-33FFFF
SA104	0	0	1	1	0	1	0	0	0	64/32	0680000-068FFFF	340000-347FFF
SA105	0	0	1	1	0	1	0	0	1	64/32	0690000-069FFFF	348000-34FFFF
SA106	0	0	1	1	0	1	0	1	0	64/32	06A0000-06AFFFF	350000-357FFF
SA107	0	0	1	1	0	1	0	1	1	64/32	06B0000-06BFFFF	358000-35FFFF
SA108	0	0	1	1	0	1	1	0	0	64/32	06C0000-06CFFFF	360000-367FFF
SA109	0	0	1	1	0	1	1	0	1	64/32	06D0000-06DFFFF	368000-36FFFF
SA110	0	0	1	1	0	1	1	1	0	64/32	06E0000-06EFFFF	370000-377FFF
SA111	0	0	1	1	0	1	1	1	1	64/32	06F0000-06FFFF	378000-37FFFF
SA112	0	0	1	1	1	0	0	0	0	64/32	0700000-070FFFF	380000-387FFF
SA113	0	0	1	1	1	0	0	0	1	64/32	0710000-071FFFF	388000-38FFFF
SA114	0	0	1	1	1	0	0	1	0	64/32	0720000-072FFFF	390000-397FFF
SA115	0	0	1	1	1	0	0	1	1	64/32	0730000-073FFFF	398000-39FFFF
SA116	0	0	1	1	1	0	1	0	0	64/32	0740000-074FFFF	3A0000-3A7FFF
SA117	0	0	1	1	1	0	1	0	1	64/32	0750000-075FFFF	3A8000-3AFFFF
SA118	0	0	1	1	1	0	1	1	0	64/32	0760000-076FFFF	3B0000-3B7FFF
SA119	0	0	1	1	1	0	1	1	1	64/32	0770000-077FFFF	3B8000-3BFFFF
SA120	0	0	1	1	1	1	0	0	0	64/32	0780000-078FFFF	3C0000-3C7FFF
SA121	0	0	1	1	1	1	0	0	1	64/32	0790000-079FFFF	3C8000-3CFFFF
SA122	0	0	1	1	1	1	0	1	0	64/32	07A0000-07AFFFF	3D0000-3D7FFF
SA123	0	0	1	1	1	1	0	1	1	64/32	07B0000-07BFFFF	3D8000-3DFFFF
SA124	0	0	1	1	1	1	1	0	0	64/32	07C0000-07CFFFF	3E0000-3E7FFF

**Table I3. S29GL256M Sector Address Table (Continued)**

Sector	A23-A15									Sector Size (Kbytes/ Kwords)	8-bit Address Range (in hexadecimal)	16-bit Address Range (in hexadecimal)
	0	0	1	1	1	1	1	0	1			
SA125	0	0	1	1	1	1	1	0	1	64/32	07D0000-07DFFFF	3E8000-3EFFFF
SA126	0	0	1	1	1	1	1	1	0	64/32	07E0000-07EFFFF	3F0000-3F7FFF
SA127	0	0	1	1	1	1	1	1	1	64/32	07F0000-07FFFFFF	3F8000-3FFFFFF
SA128	0	1	0	0	0	0	0	0	0	64/32	0800000-080FFFF	400000-407FFF
SA129	0	1	0	0	0	0	0	0	1	64/32	0810000-081FFFF	408000-40FFFF
SA130	0	1	0	0	0	0	0	1	0	64/32	0820000-082FFFF	410000-417FFF
SA131	0	1	0	0	0	0	0	1	1	64/32	0830000-083FFFF	418000-41FFFF
SA132	0	1	0	0	0	0	1	0	0	64/32	0840000-084FFFF	420000-427FFF
SA133	0	1	0	0	0	0	1	0	1	64/32	0850000-085FFFF	428000-42FFFF
SA134	0	1	0	0	0	0	1	1	0	64/32	0860000-086FFFF	430000-437FFF
SA135	0	1	0	0	0	0	1	1	1	64/32	0870000-087FFFF	438000-43FFFF
SA136	0	1	0	0	0	1	0	0	0	64/32	0880000-088FFFF	440000-447FFF
SA137	0	1	0	0	0	1	0	0	1	64/32	0890000-089FFFF	448000-44FFFF
SA138	0	1	0	0	0	1	0	1	0	64/32	08A0000-08AFFFF	450000-457FFF
SA139	0	1	0	0	0	1	0	1	1	64/32	08B0000-08BFFFF	458000-45FFFF
SA140	0	1	0	0	0	1	1	0	0	64/32	08C0000-08CFFFF	460000-467FFF
SA141	0	1	0	0	0	1	1	0	1	64/32	08D0000-08DFFFF	468000-46FFFF
SA142	0	1	0	0	0	1	1	1	0	64/32	08E0000-08EFFFF	470000-477FFF
SA143	0	1	0	0	0	1	1	1	1	64/32	08F0000-08FFFFFF	478000-47FFFF
SA144	0	1	0	0	1	0	0	0	0	64/32	0900000-090FFFF	480000-487FFF
SA145	0	1	0	0	1	0	0	0	1	64/32	0910000-091FFFF	488000-48FFFF
SA146	0	1	0	0	1	0	0	1	0	64/32	0920000-092FFFF	490000-497FFF
SA147	0	1	0	0	1	0	0	1	1	64/32	0930000-093FFFF	498000-49FFFF
SA148	0	1	0	0	1	0	1	0	0	64/32	0940000-094FFFF	4A0000-4A7FFF
SA149	0	1	0	0	1	0	1	0	1	64/32	0950000-095FFFF	4A8000-4AFFFF
SA150	0	1	0	0	1	0	1	1	0	64/32	0960000-096FFFF	4B0000-4B7FFF
SA151	0	1	0	0	1	0	1	1	1	64/32	0970000-097FFFF	4B8000-4BFFFF
SA152	0	1	0	0	1	1	0	0	0	64/32	0980000-098FFFF	4C0000-4C7FFF
SA153	0	1	0	0	1	1	0	0	1	64/32	0990000-099FFFF	4C8000-4CFFFF
SA154	0	1	0	0	1	1	0	1	0	64/32	09A0000-09AFFFF	4D0000-4D7FFF
SA155	0	1	0	0	1	1	0	1	1	64/32	09B0000-09BFFFF	4D8000-4DFFFF
SA156	0	1	0	0	1	1	1	0	0	64/32	09C0000-09CFFFF	4E0000-4E7FFF
SA157	0	1	0	0	1	1	1	0	1	64/32	09D0000-09DFFFF	4E8000-4EFFFF
SA158	0	1	0	0	1	1	1	1	0	64/32	09E0000-09EFFFF	4F0000-4F7FFF
SA159	0	1	0	0	1	1	1	1	1	64/32	09F0000-09FFFFFF	4F8000-4FFFFFF
SA160	0	1	0	1	0	0	0	0	0	64/32	0A00000-0A0FFFF	500000-507FFF
SA161	0	1	0	1	0	0	0	0	1	64/32	0A10000-0A1FFFF	508000-50FFFF
SA162	0	1	0	1	0	0	0	1	0	64/32	0A20000-0A2FFFF	510000-517FFF
SA163	0	1	0	1	0	0	0	1	1	64/32	0A30000-0A3FFFF	518000-51FFFF
SA164	0	1	0	1	0	0	1	0	0	64/32	0A40000-0A4FFFF	520000-527FFF
SA165	0	1	0	1	0	0	1	0	1	64/32	0A50000-0A5FFFF	528000-52FFFF
SA166	0	1	0	1	0	0	1	1	0	64/32	0A60000-0A6FFFF	530000-537FFF
SA167	0	1	0	1	0	0	1	1	1	64/32	0A70000-0A7FFFF	538000-53FFFF
SA168	0	1	0	1	0	1	0	0	0	64/32	0A80000-0A8FFFF	540000-547FFF
SA169	0	1	0	1	0	1	0	0	1	64/32	0A90000-0A9FFFF	548000-54FFFF

Table I3. S29GL256M Sector Address Table (Continued)

Sector	A23-A15									Sector Size (Kbytes/ Kwords)	8-bit Address Range (in hexadecimal)	16-bit Address Range (in hexadecimal)
	0	1	0	1	0	1	0	1	0			
SA170	0	1	0	1	0	1	0	1	0	64/32	0AA0000-0AAFFFF	550000-557FFF
SA171	0	1	0	1	0	1	0	1	1	64/32	0AB0000-0ABFFFF	558000-55FFFF
SA172	0	1	0	1	0	1	1	0	0	64/32	0AC0000-0ACFFFF	560000-567FFF
SA173	0	1	0	1	0	1	1	0	1	64/32	0AD0000-0ADFFFF	568000-56FFFF
SA174	0	1	0	1	0	1	1	1	0	64/32	0AE0000-0AEFFFF	570000-577FFF
SA175	0	1	0	1	0	1	1	1	1	64/32	0AF0000-0AFFFFF	578000-57FFFF
SA176	0	1	0	1	1	0	0	0	0	64/32	0B00000-0B0FFFF	580000-587FFF
SA177	0	1	0	1	1	0	0	0	1	64/32	0B10000-0B1FFFF	588000-58FFFF
SA178	0	1	0	1	1	0	0	1	0	64/32	0B20000-0B2FFFF	590000-597FFF
SA179	0	1	0	1	1	0	0	1	1	64/32	0B30000-0B3FFFF	598000-59FFFF
SA180	0	1	0	1	1	0	1	0	0	64/32	0B40000-0B4FFFF	5A0000-5A7FFF
SA181	0	1	0	1	1	0	1	0	1	64/32	0B50000-0B5FFFF	5A8000-5AFFFF
SA182	0	1	0	1	1	0	1	1	0	64/32	0B60000-0B6FFFF	5B0000-5B7FFF
SA183	0	1	0	1	1	0	1	1	1	64/32	0B70000-0B7FFFF	5B8000-5BFFFF
SA184	0	1	0	1	1	1	0	0	0	64/32	0B80000-0B8FFFF	5C0000-5C7FFF
SA185	0	1	0	1	1	1	0	0	1	64/32	0B90000-0B9FFFF	5C8000-5CFFFF
SA186	0	1	0	1	1	1	0	1	0	64/32	0BA0000-0BAFFFF	5D0000-5D7FFF
SA187	0	1	0	1	1	1	0	1	1	64/32	0BB0000-0BBFFFF	5D8000-5DFFFF
SA188	0	1	0	1	1	1	1	0	0	64/32	0BC0000-0BCFFFF	5E0000-5E7FFF
SA189	0	1	0	1	1	1	1	0	1	64/32	0BD0000-0BDFFFF	5E8000-5EFFFF
SA190	0	1	0	1	1	1	1	1	0	64/32	0BE0000-0BEFFFF	5F0000-5F7FFF
SA191	0	1	0	1	1	1	1	1	1	64/32	0BF0000-0BFFFFF	5F8000-5FFFFF
SA192	0	1	1	0	0	0	0	0	0	64/32	0C00000-0C0FFFF	600000-607FFF
SA193	0	1	1	0	0	0	0	0	1	64/32	0C10000-0C1FFFF	608000-60FFFF
SA194	0	1	1	0	0	0	0	1	0	64/32	0C20000-0C2FFFF	610000-617FFF
SA195	0	1	1	0	0	0	0	1	1	64/32	0C30000-0C3FFFF	618000-61FFFF
SA196	0	1	1	0	0	0	1	0	0	64/32	0C40000-0C4FFFF	620000-627FFF
SA197	0	1	1	0	0	0	1	0	1	64/32	0C50000-0C5FFFF	628000-62FFFF
SA198	0	1	1	0	0	0	1	1	0	64/32	0C60000-0C6FFFF	630000-637FFF
SA199	0	1	1	0	0	0	1	1	1	64/32	0C70000-0C7FFFF	638000-63FFFF
SA200	0	1	1	0	0	1	0	0	0	64/32	0C80000-0C8FFFF	640000-647FFF
SA201	0	1	1	0	0	1	0	0	1	64/32	0C90000-0C9FFFF	648000-64FFFF
SA202	0	1	1	0	0	1	0	1	0	64/32	0CA0000-0CAFFFF	650000-657FFF
SA203	0	1	1	0	0	1	0	1	1	64/32	0CB0000-0CBFFFF	658000-65FFFF
SA204	0	1	1	0	0	1	1	0	0	64/32	0CC0000-0CCFFFF	660000-667FFF
SA205	0	1	1	0	0	1	1	0	1	64/32	0CD0000-0CDFFFF	668000-66FFFF
SA206	0	1	1	0	0	1	1	1	0	64/32	0CE0000-0CEFFFF	670000-677FFF
SA207	0	1	1	0	0	1	1	1	1	64/32	0CF0000-0CFFFFF	678000-67FFFF
SA208	0	1	1	0	1	0	0	0	0	64/32	0D00000-0D0FFFF	680000-687FFF
SA209	0	1	1	0	1	0	0	0	1	64/32	0D10000-0D1FFFF	688000-68FFFF
SA210	0	1	1	0	1	0	0	1	0	64/32	0D20000-0D2FFFF	690000-697FFF
SA211	0	1	1	0	1	0	0	1	1	64/32	0D30000-0D3FFFF	698000-69FFFF
SA212	0	1	1	0	1	0	1	0	0	64/32	0D40000-0D4FFFF	6A0000-6A7FFF
SA213	0	1	1	0	1	0	1	0	1	64/32	0D50000-0D5FFFF	6A8000-6AFFFF
SA214	0	1	1	0	1	0	1	1	0	64/32	0D60000-0D6FFFF	6B0000-6B7FFF

**Table I3. S29GL256M Sector Address Table (Continued)**

Sector	A23-A15									Sector Size (Kbytes/ Kwords)	8-bit Address Range (in hexadecimal)	16-bit Address Range (in hexadecimal)
	0	1	1	0	1	0	1	1	1			
SA215	0	1	1	0	1	0	1	1	1	64/32	0D70000-0D7FFFF	6B8000-6BFFFF
SA216	0	1	1	0	1	1	0	0	0	64/32	0D80000-0D8FFFF	6C0000-6C7FFF
SA217	0	1	1	0	1	1	0	0	1	64/32	0D90000-0D9FFFF	6C8000-6CFFFF
SA218	0	1	1	0	1	1	0	1	0	64/32	0DA0000-0DAFFFF	6D0000-6D7FFF
SA219	0	1	1	0	1	1	0	1	1	64/32	0DB0000-0DBFFFF	6D8000-6DFFFF
SA220	0	1	1	0	1	1	1	0	0	64/32	0DC0000-0DCFFFF	6E0000-6E7FFF
SA221	0	1	1	0	1	1	1	0	1	64/32	0DD0000-0DDFFFF	6E8000-6EFFFF
SA222	0	1	1	0	1	1	1	1	0	64/32	0DE0000-0DEFFFF	6F0000-6F7FFF
SA223	0	1	1	0	1	1	1	1	1	64/32	0DF0000-0DFFFFF	6F8000-6FFFFF
SA224	0	1	1	1	0	0	0	0	0	64/32	0E00000-0E0FFFF	700000-707FFF
SA225	0	1	1	1	0	0	0	0	1	64/32	0E10000-0E1FFFF	708000-70FFFF
SA226	0	1	1	1	0	0	0	1	0	64/32	0E20000-0E2FFFF	710000-717FFF
SA227	0	1	1	1	0	0	0	1	1	64/32	0E30000-0E3FFFF	718000-71FFFF
SA228	0	1	1	1	0	0	1	0	0	64/32	0E40000-0E4FFFF	720000-727FFF
SA229	0	1	1	1	0	0	1	0	1	64/32	0E50000-0E5FFFF	728000-72FFFF
SA230	0	1	1	1	0	0	1	1	0	64/32	0E60000-0E6FFFF	730000-737FFF
SA231	0	1	1	1	0	0	1	1	1	64/32	0E70000-0E7FFFF	738000-73FFFF
SA232	0	1	1	1	0	1	0	0	0	64/32	0E80000-0E8FFFF	740000-747FFF
SA233	0	1	1	1	0	1	0	0	1	64/32	0E90000-0E9FFFF	748000-74FFFF
SA234	0	1	1	1	0	1	0	1	0	64/32	0EA0000-0EAFFFF	750000-757FFF
SA235	0	1	1	1	0	1	0	1	1	64/32	0EB0000-0EBFFFF	758000-75FFFF
SA236	0	1	1	1	0	1	1	0	0	64/32	0EC0000-0ECFFFF	760000-767FFF
SA237	0	1	1	1	0	1	1	0	1	64/32	0ED0000-0EDFFFF	768000-76FFFF
SA238	0	1	1	1	0	1	1	1	0	64/32	0EE0000-0EEFFFF	770000-777FFF
SA239	0	1	1	1	0	1	1	1	1	64/32	0EF0000-0EFFFFF	778000-77FFFF
SA240	0	1	1	1	1	0	0	0	0	64/32	0F00000-0F0FFFF	780000-787FFF
SA241	0	1	1	1	1	0	0	0	1	64/32	0F10000-0F1FFFF	788000-78FFFF
SA242	0	1	1	1	1	0	0	1	0	64/32	0F20000-0F2FFFF	790000-797FFF
SA243	0	1	1	1	1	0	0	1	1	64/32	0F30000-0F3FFFF	798000-79FFFF
SA244	0	1	1	1	1	0	1	0	0	64/32	0F40000-0F4FFFF	7A0000-7A7FFF
SA245	0	1	1	1	1	0	1	0	1	64/32	0F50000-0F5FFFF	7A8000-7AFFFF
SA246	0	1	1	1	1	0	1	1	0	64/32	0F60000-0F6FFFF	7B0000-7B7FFF
SA247	0	1	1	1	1	0	1	1	1	64/32	0F70000-0F7FFFF	7B8000-7BFFFF
SA248	0	1	1	1	1	1	0	0	0	64/32	0F80000-0F8FFFF	7C0000-7C7FFF
SA249	0	1	1	1	1	1	0	0	1	64/32	0F90000-0F9FFFF	7C8000-7CFFFF
SA250	0	1	1	1	1	1	0	1	0	64/32	0FA0000-0FAFFFF	7D0000-7D7FFF
SA251	0	1	1	1	1	1	0	1	1	64/32	0FB0000-0FBFFFF	7D8000-7DFFFF
SA252	0	1	1	1	1	1	1	0	0	64/32	0FC0000-0FCFFFF	7E0000-7E7FFF
SA253	0	1	1	1	1	1	1	0	1	64/32	0FD0000-0FDFFFF	7E8000-7EFFFF
SA254	0	1	1	1	1	1	1	1	0	64/32	0FE0000-0FEFFFF	7F0000-7F7FFF
SA255	0	1	1	1	1	1	1	1	1	64/32	0FF0000-0FFFFFF	7F8000-7FFFFF
SA256	1	0	0	0	0	0	0	0	0	64/32	1000000-100FFFF	800000-807FFF
SA257	1	0	0	0	0	0	0	0	1	64/32	1010000-101FFFF	808000-80FFFF
SA258	1	0	0	0	0	0	0	1	0	64/32	1020000-102FFFF	810000-817FFF
SA259	1	0	0	0	0	0	0	1	1	64/32	1030000-103FFFF	818000-81FFFF



Table I3. S29GL256M Sector Address Table (Continued)

Sector	A23-A15									Sector Size (Kbytes/ Kwords)	8-bit Address Range (in hexadecimal)	16-bit Address Range (in hexadecimal)
SA260	1	0	0	0	0	0	1	0	0	64/32	1040000-104FFFF	820000-827FFF
SA261	1	0	0	0	0	0	1	0	1	64/32	1050000-105FFFF	828000-82FFFF
SA262	1	0	0	0	0	0	1	1	0	64/32	1060000-106FFFF	830000-837FFF
SA263	1	0	0	0	0	0	1	1	1	64/32	1070000-107FFFF	838000-83FFFF
SA264	1	0	0	0	0	1	0	0	0	64/32	1080000-108FFFF	840000-847FFF
SA265	1	0	0	0	0	1	0	0	1	64/32	1090000-109FFFF	848000-84FFFF
SA266	1	0	0	0	0	1	0	1	0	64/32	10A0000-10AFFFF	850000-857FFF
SA267	1	0	0	0	0	1	0	1	1	64/32	10B0000-10BFFFF	858000-85FFFF
SA268	1	0	0	0	0	1	1	0	0	64/32	10C0000-10CFFFF	860000-867FFF
SA269	1	0	0	0	0	1	1	0	1	64/32	10D0000-10DFFFF	868000-86FFFF
SA270	1	0	0	0	0	1	1	1	0	64/32	10E0000-10EFFFF	870000-877FFF
SA271	1	0	0	0	0	1	1	1	1	64/32	10F0000-10FFFFFF	878000-87FFFF
SA272	1	0	0	0	1	0	0	0	0	64/32	1100000-110FFFF	880000-887FFF
SA273	1	0	0	0	1	0	0	0	1	64/32	1110000-111FFFF	888000-88FFFF
SA274	1	0	0	0	1	0	0	1	0	64/32	1120000-112FFFF	890000-897FFF
SA275	1	0	0	0	1	0	0	1	1	64/32	1130000-113FFFF	898000-89FFFF
SA276	1	0	0	0	1	0	1	0	0	64/32	1140000-114FFFF	8A0000-8A7FFF
SA277	1	0	0	0	1	0	1	0	1	64/32	1150000-115FFFF	8A8000-8AFFFF
SA278	1	0	0	0	1	0	1	1	0	64/32	1160000-116FFFF	8B0000-8B7FFF
SA279	1	0	0	0	1	0	1	1	1	64/32	1170000-117FFFF	8B8000-8BFFFF
SA280	1	0	0	0	1	1	0	0	0	64/32	1180000-118FFFF	8C0000-8C7FFF
SA281	1	0	0	0	1	1	0	0	1	64/32	1190000-119FFFF	8C8000-8CFFFF
SA282	1	0	0	0	1	1	0	1	0	64/32	11A0000-11AFFFF	8D0000-8D7FFF
SA283	1	0	0	0	1	1	0	1	1	64/32	11B0000-11BFFFF	8D8000-8DFFFF
SA284	1	0	0	0	1	1	1	0	0	64/32	11C0000-11CFFFF	8E0000-8E7FFF
SA285	1	0	0	0	1	1	1	0	1	64/32	11D0000-11DFFFF	8E8000-8EFFFF
SA286	1	0	0	0	1	1	1	1	0	64/32	11E0000-11EFFFF	8F0000-8F7FFF
SA287	1	0	0	0	1	1	1	1	1	64/32	11F0000-11FFFFFF	8F8000-8FFFFFF
SA288	1	0	0	1	0	0	0	0	0	64/32	1200000-120FFFF	900000-907FFF
SA289	1	0	0	1	0	0	0	0	1	64/32	1210000-121FFFF	908000-90FFFF
SA290	1	0	0	1	0	0	0	1	0	64/32	1220000-122FFFF	910000-917FFF
SA291	1	0	0	1	0	0	0	1	1	64/32	1230000-123FFFF	918000-91FFFF
SA292	1	0	0	1	0	0	1	0	0	64/32	1240000-124FFFF	920000-927FFF
SA293	1	0	0	1	0	0	1	0	1	64/32	1250000-125FFFF	928000-92FFFF
SA294	1	0	0	1	0	0	1	1	0	64/32	1260000-126FFFF	930000-937FFF
SA295	1	0	0	1	0	0	1	1	1	64/32	1270000-127FFFF	938000-93FFFF
SA296	1	0	0	1	0	1	0	0	0	64/32	1280000-128FFFF	940000-947FFF
SA297	1	0	0	1	0	1	0	0	1	64/32	1290000-129FFFF	948000-94FFFF
SA298	1	0	0	1	0	1	0	1	0	64/32	12A0000-12AFFFF	950000-957FFF
SA299	1	0	0	1	0	1	0	1	1	64/32	12B0000-12BFFFF	958000-95FFFF
SA300	1	0	0	1	0	1	1	0	0	64/32	12C0000-12CFFFF	960000-967FFF
SA301	1	0	0	1	0	1	1	0	1	64/32	12D0000-12DFFFF	968000-96FFFF
SA302	1	0	0	1	0	1	1	1	0	64/32	12E0000-12EFFFF	970000-977FFF
SA303	1	0	0	1	0	1	1	1	1	64/32	12F0000-12FFFFFF	978000-97FFFF
SA304	1	0	0	1	1	0	0	0	0	64/32	1300000-130FFFF	980000-987FFF

**Table I3. S29GL256M Sector Address Table (Continued)**

Sector	A23-A15										Sector Size (Kbytes/ Kwords)	8-bit Address Range (in hexadecimal)	16-bit Address Range (in hexadecimal)
	1	0	0	1	1	0	0	0	1	0			
SA305	1	0	0	1	1	0	0	0	1		64/32	1310000-131FFFF	988000-98FFFF
SA306	1	0	0	1	1	0	0	1	0		64/32	1320000-132FFFF	990000-997FFF
SA307	1	0	0	1	1	0	0	1	1		64/32	1330000-133FFFF	998000-99FFFF
SA308	1	0	0	1	1	0	1	0	0		64/32	1340000-134FFFF	9A0000-9A7FFF
SA309	1	0	0	1	1	0	1	0	1		64/32	1350000-135FFFF	9A8000-9AFFFF
SA310	1	0	0	1	1	0	1	1	0		64/32	1360000-136FFFF	9B0000-9B7FFF
SA311	1	0	0	1	1	0	1	1	1		64/32	1370000-137FFFF	9B8000-9BFFFF
SA312	1	0	0	1	1	1	0	0	0		64/32	1380000-138FFFF	9C0000-9C7FFF
SA313	1	0	0	1	1	1	0	0	1		64/32	1390000-139FFFF	9C8000-9CFFFF
SA314	1	0	0	1	1	1	0	1	0		64/32	13A0000-13AFFFF	9D0000-9D7FFF
SA315	1	0	0	1	1	1	0	1	1		64/32	13B0000-13BFFFF	9D8000-9DFFFF
SA316	1	0	0	1	1	1	1	0	0		64/32	13C0000-13CFFFF	9E0000-9E7FFF
SA317	1	0	0	1	1	1	1	0	1		64/32	13D0000-13DFFFF	9E8000-9EFFFF
SA318	1	0	0	1	1	1	1	1	0		64/32	13E0000-13EFFFF	9F0000-9F7FFF
SA319	1	0	0	1	1	1	1	1	1		64/32	13F0000-13FFFF	9F8000-9FFFF
SA320	1	0	1	0	0	0	0	0	0		64/32	1400000-140FFFF	A00000-A07FFF
SA321	1	0	1	0	0	0	0	0	1		64/32	1410000-141FFFF	A08000-A0FFFF
SA322	1	0	1	0	0	0	0	1	0		64/32	1420000-142FFFF	A10000-A17FFF
SA323	1	0	1	0	0	0	0	1	1		64/32	1430000-143FFFF	A18000-A1FFFF
SA324	1	0	1	0	0	0	1	0	0		64/32	1440000-144FFFF	A20000-A27FFF
SA325	1	0	1	0	0	0	1	0	1		64/32	1450000-145FFFF	A28000-A2FFFF
SA326	1	0	1	0	0	0	1	1	0		64/32	1460000-146FFFF	A30000-A37FFF
SA327	1	0	1	0	0	0	1	1	1		64/32	1470000-147FFFF	A38000-A3FFFF
SA328	1	0	1	0	0	1	0	0	0		64/32	1480000-148FFFF	A40000-A47FFF
SA329	1	0	1	0	0	1	0	0	1		64/32	1490000-149FFFF	A48000-A4FFFF
SA330	1	0	1	0	0	1	0	1	0		64/32	14A0000-14AFFFF	A50000-A57FFF
SA331	1	0	1	0	0	1	0	1	1		64/32	14B0000-14BFFFF	A58000-A5FFFF
SA332	1	0	1	0	0	1	1	0	0		64/32	14C0000-14CFFFF	A60000-A67FFF
SA333	1	0	1	0	0	1	1	0	1		64/32	14D0000-14DFFFF	A68000-A6FFFF
SA334	1	0	1	0	0	1	1	1	0		64/32	14E0000-14EFFFF	A70000-A77FFF
SA335	1	0	1	0	0	1	1	1	1		64/32	14F0000-14FFFF	A78000-A7FFFF
SA336	1	0	1	0	1	0	0	0	0		64/32	1500000-150FFFF	A80000-A87FFF
SA337	1	0	1	0	1	0	0	0	1		64/32	1510000-151FFFF	A88000-A8FFFF
SA338	1	0	1	0	1	0	0	1	0		64/32	1520000-152FFFF	A90000-A97FFF
SA339	1	0	1	0	1	0	0	1	1		64/32	1530000-153FFFF	A98000-A9FFFF
SA340	1	0	1	0	1	0	1	0	0		64/32	1540000-154FFFF	AA0000-AA7FFF
SA341	1	0	1	0	1	0	1	0	1		64/32	1550000-155FFFF	AA8000-AAFFFF
SA342	1	0	1	0	1	0	1	1	0		64/32	1560000-156FFFF	AB0000-AB7FFF
SA343	1	0	1	0	1	0	1	1	1		64/32	1570000-157FFFF	AB8000-ABFFFF
SA344	1	0	1	0	1	1	0	0	0		64/32	1580000-158FFFF	AC0000-AC7FFF
SA345	1	0	1	0	1	1	0	0	1		64/32	1590000-159FFFF	AC8000-ACFFFF
SA346	1	0	1	0	1	1	0	1	0		64/32	15A0000-15AFFFF	AD0000-AD7FFF
SA347	1	0	1	0	1	1	0	1	1		64/32	15B0000-15BFFFF	AD8000-ADFFFF
SA348	1	0	1	0	1	1	1	0	0		64/32	15C0000-15CFFFF	AE0000-AE7FFF
SA349	1	0	1	0	1	1	1	0	1		64/32	15D0000-15DFFFF	AE8000-AEFFFF

Table I3. S29GL256M Sector Address Table (Continued)

Sector	A23-A15									Sector Size (Kbytes/ Kwords)	8-bit Address Range (in hexadecimal)	16-bit Address Range (in hexadecimal)
	1	0	1	0	1	1	1	1	0			
SA350	1	0	1	0	1	1	1	1	0	64/32	15E0000-15EFFFF	AF0000-AF7FFF
SA351	1	0	1	0	1	1	1	1	1	64/32	15F0000-15FFFFFF	AF8000-AFFFFFFF
SA352	1	0	1	1	0	0	0	0	0	64/32	1600000-160FFFF	B00000-B07FFF
SA353	1	0	1	1	0	0	0	0	1	64/32	1610000-161FFFF	B08000-B0FFFF
SA354	1	0	1	1	0	0	0	1	0	64/32	1620000-162FFFF	B10000-B17FFF
SA355	1	0	1	1	0	0	0	1	1	64/32	1630000-163FFFF	B18000-B1FFFF
SA356	1	0	1	1	0	0	1	0	0	64/32	1640000-164FFFF	B20000-B27FFF
SA357	1	0	1	1	0	0	1	0	1	64/32	1650000-165FFFF	B28000-B2FFFF
SA358	1	0	1	1	0	0	1	1	0	64/32	1660000-166FFFF	B30000-B37FFF
SA359	1	0	1	1	0	0	1	1	1	64/32	1670000-167FFFF	B38000-B3FFFF
SA360	1	0	1	1	0	1	0	0	0	64/32	1680000-168FFFF	B40000-B47FFF
SA361	1	0	1	1	0	1	0	0	1	64/32	1690000-169FFFF	B48000-B4FFFF
SA362	1	0	1	1	0	1	0	1	0	64/32	16A0000-16AFFFF	B50000-B57FFF
SA363	1	0	1	1	0	1	0	1	1	64/32	16B0000-16BFFFF	B58000-B5FFFF
SA364	1	0	1	1	0	1	1	0	0	64/32	16C0000-16CFFFF	B60000-B67FFF
SA365	1	0	1	1	0	1	1	0	1	64/32	16D0000-16DFFFF	B68000-B6FFFF
SA366	1	0	1	1	0	1	1	1	0	64/32	16E0000-16EFFFF	B70000-B77FFF
SA367	1	0	1	1	0	1	1	1	1	64/32	16F0000-16FFFFFF	B78000-B7FFFF
SA368	1	0	1	1	1	0	0	0	0	64/32	1700000-170FFFF	B80000-B87FFF
SA369	1	0	1	1	1	0	0	0	1	64/32	1710000-171FFFF	B88000-B8FFFF
SA370	1	0	1	1	1	0	0	1	0	64/32	1720000-172FFFF	B90000-B97FFF
SA371	1	0	1	1	1	0	0	1	1	64/32	1730000-173FFFF	B98000-B9FFFF
SA372	1	0	1	1	1	0	1	0	0	64/32	1740000-174FFFF	BA0000-BA7FFF
SA373	1	0	1	1	1	0	1	0	1	64/32	1750000-175FFFF	BA8000-BAFFFF
SA374	1	0	1	1	1	0	1	1	0	64/32	1760000-176FFFF	BB0000-BB7FFF
SA375	1	0	1	1	1	0	1	1	1	64/32	1770000-177FFFF	BB8000-BBFFFF
SA376	1	0	1	1	1	1	0	0	0	64/32	1780000-178FFFF	BC0000-BC7FFF
SA377	1	0	1	1	1	1	0	0	1	64/32	1790000-179FFFF	BC8000-BCFFFF
SA378	1	0	1	1	1	1	0	1	0	64/32	17A0000-17AFFFF	BD0000-BD7FFF
SA379	1	0	1	1	1	1	0	1	1	64/32	17B0000-17BFFFF	BD8000-BDFFFF
SA380	1	0	1	1	1	1	1	0	0	64/32	17C0000-17CFFFF	BE0000-BE7FFF
SA381	1	0	1	1	1	1	1	0	1	64/32	17D0000-17DFFFF	BE8000-BEFFFF
SA382	1	0	1	1	1	1	1	1	0	64/32	17E0000-17EFFFF	BF0000-BF7FFF
SA383	1	0	1	1	1	1	1	1	1	64/32	17F0000-17FFFFFF	BF8000-BFFFFFFF
SA384	1	1	0	0	0	0	0	0	0	64/32	1800000-180FFFF	C00000-C07FFF
SA385	1	1	0	0	0	0	0	0	1	64/32	1810000-181FFFF	C08000-C0FFFF
SA386	1	1	0	0	0	0	0	1	0	64/32	1820000-182FFFF	C10000-C17FFF
SA387	1	1	0	0	0	0	0	1	1	64/32	1830000-183FFFF	C18000-C1FFFF
SA388	1	1	0	0	0	0	1	0	0	64/32	1840000-184FFFF	C20000-C27FFF
SA389	1	1	0	0	0	0	1	0	1	64/32	1850000-185FFFF	C28000-C2FFFF
SA390	1	1	0	0	0	0	1	1	0	64/32	1860000-186FFFF	C30000-C37FFF
SA391	1	1	0	0	0	0	1	1	1	64/32	1870000-187FFFF	C38000-C3FFFF
SA392	1	1	0	0	0	1	0	0	0	64/32	1880000-188FFFF	C40000-C47FFF
SA393	1	1	0	0	0	1	0	0	1	64/32	1890000-189FFFF	C48000-C4FFFF
SA394	1	1	0	0	0	1	0	1	0	64/32	18A0000-18AFFFF	C50000-C57FFF

**Table I3. S29GL256M Sector Address Table (Continued)**

Sector	A23-A15									Sector Size (Kbytes/ Kwords)	8-bit Address Range (in hexadecimal)	16-bit Address Range (in hexadecimal)
	1	1	0	0	0	1	0	1	1			
SA395	1	1	0	0	0	1	0	1	1	64/32	18B0000-18BFFFF	C58000-C5FFFF
SA396	1	1	0	0	0	1	1	0	0	64/32	18C0000-18CFFFF	C60000-C67FFF
SA397	1	1	0	0	0	1	1	0	1	64/32	18D0000-18DFFFF	C68000-C6FFFF
SA398	1	1	0	0	0	1	1	1	0	64/32	18E0000-18EFFFF	C70000-C77FFF
SA399	1	1	0	0	0	1	1	1	1	64/32	18F0000-18FFFFFF	C78000-C7FFFF
SA400	1	1	0	0	1	0	0	0	0	64/32	1900000-190FFFF	C80000-C87FFF
SA401	1	1	0	0	1	0	0	0	1	64/32	1910000-191FFFF	C88000-C8FFFF
SA402	1	1	0	0	1	0	0	1	0	64/32	1920000-192FFFF	C90000-C97FFF
SA403	1	1	0	0	1	0	0	1	1	64/32	1930000-193FFFF	C98000-C9FFFF
SA404	1	1	0	0	1	0	1	0	0	64/32	1940000-194FFFF	CA0000-CA7FFF
SA405	1	1	0	0	1	0	1	0	1	64/32	1950000-195FFFF	CA8000-CAFFFF
SA406	1	1	0	0	1	0	1	1	0	64/32	1960000-196FFFF	CB0000-CB7FFF
SA407	1	1	0	0	1	0	1	1	1	64/32	1970000-197FFFF	CB8000-CBFFFF
SA408	1	1	0	0	1	1	0	0	0	64/32	1980000-198FFFF	CC0000-CC7FFF
SA409	1	1	0	0	1	1	0	0	1	64/32	1990000-199FFFF	CC8000-CCFFFF
SA410	1	1	0	0	1	1	0	1	0	64/32	19A0000-19AFFFF	CD0000-CD7FFF
SA411	1	1	0	0	1	1	0	1	1	64/32	19B0000-19BFFFF	CD8000-CDFFFF
SA412	1	1	0	0	1	1	1	0	0	64/32	19C0000-19CFFFF	CE0000-CE7FFF
SA413	1	1	0	0	1	1	1	0	1	64/32	19D0000-19DFFFF	CE8000-CEFFFF
SA414	1	1	0	0	1	1	1	1	0	64/32	19E0000-19EFFFF	CF0000-CF7FFF
SA415	1	1	0	0	1	1	1	1	1	64/32	19F0000-19FFFFFF	CF8000-CFFFFFF
SA416	1	1	0	1	0	0	0	0	0	64/32	1A00000-1A0FFFF	D00000-D07FFF
SA417	1	1	0	1	0	0	0	0	1	64/32	1A10000-1A1FFFF	D08000-D0FFFF
SA418	1	1	0	1	0	0	0	1	0	64/32	1A20000-1A2FFFF	D10000-D17FFF
SA419	1	1	0	1	0	0	0	1	1	64/32	1A30000-1A3FFFF	D18000-D1FFFF
SA420	1	1	0	1	0	0	1	0	0	64/32	1A40000-1A4FFFF	D20000-D27FFF
SA421	1	1	0	1	0	0	1	0	1	64/32	1A50000-1A5FFFF	D28000-D2FFFF
SA422	1	1	0	1	0	0	1	1	0	64/32	1A60000-1A6FFFF	D30000-D37FFF
SA423	1	1	0	1	0	0	1	1	1	64/32	1A70000-1A7FFFF	D38000-D3FFFF
SA424	1	1	0	1	0	1	0	0	0	64/32	1A80000-1A8FFFF	D40000-D47FFF
SA425	1	1	0	1	0	1	0	0	1	64/32	1A90000-1A9FFFF	D48000-D4FFFF
SA426	1	1	0	1	0	1	0	1	0	64/32	1AA0000-1AAFFFF	D50000-D57FFF
SA427	1	1	0	1	0	1	0	1	1	64/32	1AB0000-1ABFFFF	D58000-D5FFFF
SA428	1	1	0	1	0	1	1	0	0	64/32	1AC0000-1ACFFFF	D60000-D67FFF
SA429	1	1	0	1	0	1	1	0	1	64/32	1AD0000-1ADFFFF	D68000-D6FFFF
SA430	1	1	0	1	0	1	1	1	0	64/32	1AE0000-1AEFFFF	D70000-D77FFF
SA431	1	1	0	1	0	1	1	1	1	64/32	1AF0000-1AFFFFFF	D78000-D7FFFF
SA432	1	1	0	1	1	0	0	0	0	64/32	1B00000-1B0FFFF	D80000-D87FFF
SA433	1	1	0	1	1	0	0	0	1	64/32	1B10000-1B1FFFF	D88000-D8FFFF
SA434	1	1	0	1	1	0	0	1	0	64/32	1B20000-1B2FFFF	D90000-D97FFF
SA435	1	1	0	1	1	0	0	1	1	64/32	1B30000-1B3FFFF	D98000-D9FFFF
SA436	1	1	0	1	1	0	1	0	0	64/32	1B40000-1B4FFFF	DA0000-DA7FFF
SA437	1	1	0	1	1	0	1	0	1	64/32	1B50000-1B5FFFF	DA8000-DAFFFF
SA438	1	1	0	1	1	0	1	1	0	64/32	1B60000-1B6FFFF	DB0000-DB7FFF
SA439	1	1	0	1	1	0	1	1	1	64/32	1B70000-1B7FFFF	DB8000-DBFFFF

**Table I3. S29GL256M Sector Address Table (Continued)**

Sector	A23-A15									Sector Size (Kbytes/ Kwords)	8-bit Address Range (in hexadecimal)	16-bit Address Range (in hexadecimal)
	1	1	0	1	1	1	0	0	0			
SA440	1	1	0	1	1	1	0	0	0	64/32	1B80000-1B8FFFF	DC0000-DC7FFF
SA441	1	1	0	1	1	1	0	0	1	64/32	1B90000-1B9FFFF	DC8000-DCFFFF
SA442	1	1	0	1	1	1	0	1	0	64/32	1BA0000-1BAFFFF	DD0000-DD7FFF
SA443	1	1	0	1	1	1	0	1	1	64/32	1BB0000-1BBFFFF	DD8000-DDFFFF
SA444	1	1	0	1	1	1	1	0	0	64/32	1BC0000-1BCFFFF	DE0000-DE7FFF
SA445	1	1	0	1	1	1	1	0	1	64/32	1BD0000-1BDFFFF	DE8000-DEFFFF
SA446	1	1	0	1	1	1	1	1	0	64/32	1BE0000-1BEFFFF	DF0000-DF7FFF
SA447	1	1	0	1	1	1	1	1	1	64/32	1BF0000-1BFFFFFF	DF8000-DFFFFFF
SA448	1	1	1	0	0	0	0	0	0	64/32	1C00000-1C0FFFF	E00000-E07FFF
SA449	1	1	1	0	0	0	0	0	1	64/32	1C10000-1C1FFFF	E08000-E0FFFF
SA450	1	1	1	0	0	0	0	1	0	64/32	1C20000-1C2FFFF	E10000-E17FFF
SA451	1	1	1	0	0	0	0	1	1	64/32	1C30000-1C3FFFF	E18000-E1FFFF
SA452	1	1	1	0	0	0	1	0	0	64/32	1C40000-1C4FFFF	E20000-E27FFF
SA453	1	1	1	0	0	0	1	0	1	64/32	1C50000-1C5FFFF	E28000-E2FFFF
SA454	1	1	1	0	0	0	1	1	0	64/32	1C60000-1C6FFFF	E30000-E37FFF
SA455	1	1	1	0	0	0	1	1	1	64/32	1C70000-1C7FFFF	E38000-E3FFFF
SA456	1	1	1	0	0	1	0	0	0	64/32	1C80000-1C8FFFF	E40000-E47FFF
SA457	1	1	1	0	0	1	0	0	1	64/32	1C90000-1C9FFFF	E48000-E4FFFF
SA458	1	1	1	0	0	1	0	1	0	64/32	1CA0000-1CAFFFF	E50000-E57FFF
SA459	1	1	1	0	0	1	0	1	1	64/32	1CB0000-1CBFFFF	E58000-E5FFFF
SA460	1	1	1	0	0	1	1	0	0	64/32	1CC0000-1CCFFFF	E60000-E67FFF
SA461	1	1	1	0	0	1	1	0	1	64/32	1CD0000-1CDFFFF	E68000-E6FFFF
SA462	1	1	1	0	0	1	1	1	0	64/32	1CE0000-1CEFFFF	E70000-E77FFF
SA463	1	1	1	0	0	1	1	1	1	64/32	1CF0000-1CFFFFFF	E78000-E7FFFF
SA464	1	1	1	0	1	0	0	0	0	64/32	1D00000-1D0FFFF	E80000-E87FFF
SA465	1	1	1	0	1	0	0	0	1	64/32	1D10000-1D1FFFF	E88000-E8FFFF
SA466	1	1	1	0	1	0	0	1	0	64/32	1D20000-1D2FFFF	E90000-E97FFF
SA467	1	1	1	0	1	0	0	1	1	64/32	1D30000-1D3FFFF	E98000-E9FFFF
SA468	1	1	1	0	1	0	1	0	0	64/32	1D40000-1D4FFFF	EA0000-EA7FFF
SA469	1	1	1	0	1	0	1	0	1	64/32	1D50000-1D5FFFF	EA8000-EAFFFF
SA470	1	1	1	0	1	0	1	1	0	64/32	1D60000-1D6FFFF	EB0000-EB7FFF
SA471	1	1	1	0	1	0	1	1	1	64/32	1D70000-1D7FFFF	EB8000-EBFFFF
SA472	1	1	1	0	1	1	0	0	0	64/32	1D80000-1D8FFFF	EC0000-EC7FFF
SA473	1	1	1	0	1	1	0	0	1	64/32	1D90000-1D9FFFF	EC8000-ECFFFF
SA474	1	1	1	0	1	1	0	1	0	64/32	1DA0000-1DAFFFF	ED0000-ED7FFF
SA475	1	1	1	0	1	1	0	1	1	64/32	1DB0000-1DBFFFF	ED8000-EDFFFF
SA476	1	1	1	0	1	1	1	0	0	64/32	1DC0000-1DCFFFF	EE0000-EE7FFF
SA477	1	1	1	0	1	1	1	0	1	64/32	1DD0000-1DDFFFF	EE8000-EEFFFF
SA478	1	1	1	0	1	1	1	1	0	64/32	1DE0000-1DEFFFF	EF0000-EF7FFF
SA479	1	1	1	0	1	1	1	1	1	64/32	1DF0000-1DFFFFF	EF8000-EFFFFFF
SA480	1	1	1	1	0	0	0	0	0	64/32	1E00000-1E0FFFF	F00000-F07FFF
SA481	1	1	1	1	0	0	0	0	1	64/32	1E10000-1E1FFFF	F08000-F0FFFF
SA482	1	1	1	1	0	0	0	1	0	64/32	1E20000-1E2FFFF	F10000-F17FFF
SA483	1	1	1	1	0	0	0	1	1	64/32	1E30000-1E3FFFF	F18000-F1FFFF
SA484	1	1	1	1	0	0	1	0	0	64/32	1E40000-1E4FFFF	F20000-F27FFF

**Table I3. S29GL256M Sector Address Table (Continued)**

Sector	A23-A15									Sector Size (Kbytes/ Kwords)	8-bit Address Range (in hexadecimal)	16-bit Address Range (in hexadecimal)
SA485	1	1	1	1	0	0	1	0	1	64/32	1E50000-1E5FFFF	F28000-F2FFFF
SA486	1	1	1	1	0	0	1	1	0	64/32	1E60000-1E6FFFF	F30000-F3FFFF
SA487	1	1	1	1	0	0	1	1	1	64/32	1E70000-1E7FFFF	F38000-F3FFFF
SA488	1	1	1	1	0	1	0	0	0	64/32	1E80000-1E8FFFF	F40000-F4FFFF
SA489	1	1	1	1	0	1	0	0	1	64/32	1E90000-1E9FFFF	F48000-F4FFFF
SA490	1	1	1	1	0	1	0	1	0	64/32	1EA0000-1EAFFFF	F50000-F5FFFF
SA491	1	1	1	1	0	1	0	1	1	64/32	1EB0000-1EBFFFF	F58000-F5FFFF
SA492	1	1	1	1	0	1	1	0	0	64/32	1EC0000-1ECFFFF	F60000-F6FFFF
SA493	1	1	1	1	0	1	1	0	1	64/32	1ED0000-1EDFFFF	F68000-F6FFFF
SA494	1	1	1	1	0	1	1	1	0	64/32	1EE0000-1EEFFFF	F70000-F7FFFF
SA495	1	1	1	1	0	1	1	1	1	64/32	1EF0000-1EFFFFF	F78000-F7FFFF
SA496	1	1	1	1	1	0	0	0	0	64/32	1F00000-1F0FFFF	F80000-F8FFFF
SA497	1	1	1	1	1	0	0	0	1	64/32	1F10000-1F1FFFF	F88000-F8FFFF
SA498	1	1	1	1	1	0	0	1	0	64/32	1F20000-1F2FFFF	F90000-F9FFFF
SA499	1	1	1	1	1	0	0	1	1	64/32	1F30000-1F3FFFF	F98000-F9FFFF
SA500	1	1	1	1	1	0	1	0	0	64/32	1F40000-1F4FFFF	FA0000-FA7FFF
SA501	1	1	1	1	1	0	1	0	1	64/32	1F50000-1F5FFFF	FA8000-FAFFFF
SA502	1	1	1	1	1	0	1	1	0	64/32	1F60000-1F6FFFF	FB0000-FB7FFF
SA503	1	1	1	1	1	0	1	1	1	64/32	1F70000-1F7FFFF	FB8000-FBFFFF
SA504	1	1	1	1	1	1	0	0	0	64/32	1F80000-1F8FFFF	FC0000-FC7FFF
SA505	1	1	1	1	1	1	0	0	1	64/32	1F90000-1F9FFFF	FC8000-FCFFFF
SA506	1	1	1	1	1	1	0	1	0	64/32	1FA0000-1FAFFFF	FD0000-FD7FFF
SA507	1	1	1	1	1	1	0	1	1	64/32	1FB0000-1FBFFFF	FD8000-FDFFFF
SA508	1	1	1	1	1	1	1	0	0	64/32	1FC0000-1FCFFFF	FE0000-FE7FFF
SA509	1	1	1	1	1	1	1	0	1	64/32	1FD0000-1FDFFFF	FE8000-FEFFFF
SA510	1	1	1	1	1	1	1	1	0	64/32	1FE0000-1FEFFFF	FF0000-FF7FFF
SA511	1	1	1	1	1	1	1	1	1	64/32	1FF0000-1FFFFFF	FF8000-FFFFFF

### Autoselect Mode

The autoselect mode provides manufacturer and device identification, and sector group protection verification, through identifier codes output on DQ7-DQ0. This mode is primarily intended for programming equipment to automatically match a device to be programmed with its corresponding programming algorithm. However, the autoselect codes can also be accessed in-system through the command register.

When using programming equipment, the autoselect mode requires VID on address pin A9. Address pins A6, A3, A2, A1, and A0 must be as shown in Table 14. In addition, when verifying sector protection, the sector address must appear on the appropriate highest order address bits (see Table 2-Table 13). Table 14 shows the remaining address bits that are don't care. When all necessary bits have been set as required, the programming equipment may then read the corresponding identifier code on DQ7-DQ0.

To access the autoselect codes in-system, the host system can issue the autoselect command via the command register, as shown in Table 31 and Table 32. This method does not require V<sub>ID</sub>. Refer to the Autoselect Command Sequence section for more information.

**Table 14. Autoselect Codes, (High Voltage Method)**

Description	CE #	OE#	WE #	A2 to A15	A14 to A10	A9	A8 to A7	A6	A5 to A4	A3 to A2	A1	A0	DQ8 to DQ15		DQ7 to DQ0					
													BYTE # = V <sub>IH</sub>	BYTE# = V <sub>IL</sub>	Model Number					
															R0	R1,R2	R3,R4	R5,R6,R7		
Manufacturer ID: Spansion Products	L	L	H	X	X	V <sub>ID</sub>	X	L	X	L	L	L	00	X	01h	01h	01h	01h		
S29GL256	Cycle 1		L	L	H	X	X	V <sub>ID</sub>	X	L	X	L	L	H	22	X	7Eh			
	Cycle 2		L	L	H	X	X	V <sub>ID</sub>	X	L	X	H	H	L	22	X	12h			
	Cycle 3											H	H	H	22	X	01h			
S29GL128N	Cycle 1		L	L	H	X	X	V <sub>ID</sub>	X	L	X	L	L	H	22	X	7Eh			
	Cycle 2		L	L	H	X	X	V <sub>ID</sub>	X	L	X	H	H	L	22	X	12h			
	Cycle 3											H	H	H	22	X	00h			
S29GL064N	Cycle 1		L	L	H	X	X	V <sub>ID</sub>	X	L	X	L	L	H	22	X	7Eh	7Eh	7Eh	7Eh
	Cycle 2		L	L	H	X	X	V <sub>ID</sub>	X	L	X	H	H	L	22	X	13h	0Ch	10h	13h
	Cycle 3											H	H	H	22	X	00h	01h	00h (-R4, bottom boot) 01h (-R3, top boot)	01h
S29GL032N	Cycle 1		L	L	H	X	X	V <sub>ID</sub>	X	L	X	L	L	H	22	X	7Eh	7Eh	7Eh	
	Cycle 2		L	L	H	X	X	V <sub>ID</sub>	X	L	X	H	H	L	22	X	1Ch	1Dh	1Ah	
	Cycle 3											H	H	H	22	X	00h	00h	00h (-R4, bottom boot) 01h (-R3, top boot)	
Sector Group Protection Verification	L	L	H	SA	X	V <sub>ID</sub>	X	L	X	L	H	L	X	X			01h (protected), 00h (unprotected)			
SecSi Sector Indicator Bit (DQ7), WP# protects highest address sector	L	L	H	X	X	V <sub>ID</sub>	X	L	X	L	H	H	X	X			98h (factory locked), 18h (not factory locked)			
SecSi Sector Indicator Bit (DQ7), WP# protects lowest address sector	L	L	H	X	X	V <sub>ID</sub>	X	L	X	L	H	H	X	X			88h (factory locked), 08h (not factory locked)			

**Legend:** L = Logic Low = V<sub>IL</sub>, H = Logic High = V<sub>IH</sub>, SA = Sector Address, X = Don't care.

### Sector Group Protection and Unprotection

The hardware sector group protection feature disables both program and erase operations in any sector group. In this device, a sector group consists of four adjacent sectors that are protected or unprotected at the same time (see Table 4). The hardware sector group unprotection feature re-enables both program and erase operations in previously protected sector groups. Sector group protection/unprotection can be implemented via two methods.

Sector protection/unprotection requires V<sub>ID</sub> on the RESET# pin only, and can be implemented either in-system or via programming equipment. Figure 2 shows the algorithms and Figure 24 shows the timing diagram. This method uses stan-

standard microprocessor bus cycle timing. For sector group unprotect, all unprotected sector groups must first be protected prior to the first sector group unprotect write cycle.

The device is shipped with all sector groups unprotected. FASL offers the option of programming and protecting sector groups at its factory prior to shipping the device through Spansion Programming Service. Contact a Spansion representative for details.

It is possible to determine whether a sector group is protected or unprotected. See the [Autoselect Mode](#) section for details.

**Table 15. S29GL032M (Model R0) Sector Group Protection/Unprotection Address Table**

Sector Group	A22-A18
SA0-SA3	00000
SA4-SA7	00001
SA8-SA11	00010
SA12-SA15	00011
SA16-SA19	00100
SA20-SA23	00101
SA24-SA27	00110
SA28-SA31	00111
SA32-SA35	01000
SA36-SA39	01001
SA40-SA43	01010
SA44-SA47	01011
SA48-SA51	01100
SA52-SA55	01101
SA56-SA59	01110
SA60-SA63	01111

*Note: All sector groups are 256 Kbytes in size.*

**Table 16. S29GL032M (Model RI) Top Boot Sector Protection**

Sector	A20-AI2	Sector/ Sector Block Size
SA0-SA3	0000XXXXXh	256 (4x64) Kbytes
SA4-SA7	0001XXXXXh	256 (4x64) Kbytes
SA8-SAI1	0010XXXXXh	256 (4x64) Kbytes
SA12-SAI5	0011XXXXXh	256 (4x64) Kbytes
SA16-SAI9	0100XXXXXh	256 (4x64) Kbytes
SA20-SA23	0101XXXXXh	256 (4x64) Kbytes
SA24-SA27	0110XXXXXh	256 (4x64) Kbytes
SA28-SA31	0111XXXXXh	256 (4x64) Kbytes
SA32-SA35	1000XXXXXh,	256 (4x64) Kbytes
SA36-SA39	1001XXXXXh	256 (4x64) Kbytes
SA40-SA43	1010XXXXXh	256 (4x64) Kbytes
SA44-SA47	1011XXXXXh	256 (4x64) Kbytes
SA48-SAI1	1100XXXXXh	256 (4x64) Kbytes



**Table 16. S29GL032M (Model R1) Top Boot Sector Protection (Continued)**

Sector	A20-AI2	Sector/ Sector Block Size
SA52-SA55	II01XXXXXh	256 (4x64) Kbytes
SA56-SA59	IIIOXXXXXh	256 (4x64) Kbytes
SA60-SA62	IIII00XXXh IIII01XXXh IIII0XXXXh	192 (3x64) Kbytes
SA63	IIIIII000h	8 Kbytes
SA64	IIIIII00Ih	8 Kbytes
SA65	IIIIII0I0h	8 Kbytes
SA66	IIIIII0Ih	8 Kbytes
SA67	IIIIII00h	8 Kbytes
SA68	IIIIII0Ih	8 Kbytes
SA69	IIIIIIII0h	8 Kbytes
SA70	IIIIIIIIh	8 Kbytes

**Table 17. S29GL032M (Model R2) Bottom Boot Sector Protection**

Sector	A20-AI2	Sector/ Sector Block Size
SA0	000000000h	8 Kbytes
SA1	00000000Ih	8 Kbytes
SA2	0000000I0h	8 Kbytes
SA3	0000000Ih	8 Kbytes
SA4	000000I00h	8 Kbytes
SA5	000000I0h	8 Kbytes
SA6	000000II0h	8 Kbytes
SA7	000000IIh	8 Kbytes
SA8-SA10	00000IXXXh, 0000I0XXXh, 0000IIXXXh,	192 (3x64) Kbytes
SA11-SA14	000IXXXXXh	256 (4x64) Kbytes
SA15-SA18	00I0XXXXXh	256 (4x64) Kbytes
SA19-SA22	00IIXXXXXh	256 (4x64) Kbytes
SA23-SA26	0I00XXXXXh	256 (4x64) Kbytes
SA27-SA30	0I0IXXXXXh	256 (4x64) Kbytes
SA31-SA34	0II0XXXXXh	256 (4x64) Kbytes
SA35-SA38	0IIIXXXXXh	256 (4x64) Kbytes
SA39-SA42	I000XXXXXh	256 (4x64) Kbytes
SA43-SA46	I00IXXXXXh	256 (4x64) Kbytes
SA47-SA50	I0I0XXXXXh	256 (4x64) Kbytes
SA51-SA54	I0IIXXXXXh	256 (4x64) Kbytes
SA55-SA58	II00XXXXXh	256 (4x64) Kbytes
SA59-SA62	II0IXXXXXh	256 (4x64) Kbytes
SA63-SA66	IIIOXXXXXh	256 (4x64) Kbytes
SA67-SA70	IIIIXXXXXh	256 (4x64) Kbytes

**Table I8. S29GL032M (Models R3, R4) Sector Group Protection/Unprotection Address Table**

Sector Group	A20-A15
SA0	000000
SA1	000001
SA2	000010
SA3	000011
SA4-SA7	0001xx
SA8-SA11	0010xx
SA12-SA15	0011xx
SA16-SA19	0100xx
SA20-SA23	0101xx
SA24-SA27	0110xx
SA28-SA31	0111xx
SA32-SA35	1000xx
SA36-SA39	1001xx
SA40-SA43	1010xx
SA44-SA47	1011xx
SA48-SA51	1100xx
SA52-SA55	1101xx
SA56-SA59	1110xx
SA60	111100
SA61	111101
SA62	111110
SA63	111111

**Table 19. S29GL065M (Model 00) Sector Group Protection/Unprotection Address Table**

Sector Group	A22-A18
SA0-SA3	00000
SA4-SA7	00001
SA8-SA11	00010
SA12-SA15	00011
SA16-SA19	00100
SA20-SA23	00101
SA24-SA27	00110
SA28-SA31	00111
SA32-SA35	01000
SA36-SA39	01001
SA40-SA43	01010
SA44-SA47	01011
SA48-SA51	01100
SA52-SA55	01101
SA56-SA59	01110
SA60-SA63	01111
SA64-SA67	10000
SA68-SA71	10001
SA72-SA75	10010
SA76-SA79	10011
SA80-SA83	10100
SA84-SA87	10101
SA88-SA91	10110
SA92-SA95	10111
SA96-SA99	11000
SA100-SA103	11001
SA104-SA107	11010
SA108-SA111	11011
SA112-SA115	11100
SA116-SA119	11101
SA120-SA123	11110
SA124-SA127	11111

**Note:** All sector groups are 256 Kbytes in size.

**Table 20. S29GL064M (Model R1) Top Boot Sector Protection**

Sector	A21-A12	Sector/ Sector Block Size
SA0-SA3	00000XXXXX	256 (4x64) Kbytes
SA4-SA7	00001XXXXX	256 (4x64) Kbytes
SA8-SAI1	00010XXXXX	256 (4x64) Kbytes
SA12-SAI5	00011XXXXX	256 (4x64) Kbytes
SA16-SAI9	00100XXXXX	256 (4x64) Kbytes

**Table 20. S29GL064M (Model R1) Top Boot Sector Protection (Continued)**

Sector	A21-A12	Sector/ Sector Block Size
SA20-SA23	00101XXXXX	256 (4x64) Kbytes
SA24-SA27	00110XXXXX	256 (4x64) Kbytes
SA28-SA31	00111XXXXX	256 (4x64) Kbytes
SA32-SA35	01000XXXXX	256 (4x64) Kbytes
SA36-SA39	01001XXXXX	256 (4x64) Kbytes
SA40-SA43	01010XXXXX	256 (4x64) Kbytes
SA44-SA47	01011XXXXX	256 (4x64) Kbytes
SA48-SA51	01100XXXXX	256 (4x64) Kbytes
SA52-SA55	01101XXXXX	256 (4x64) Kbytes
SA56-SA59	01110XXXXX	256 (4x64) Kbytes
SA60-SA63	01111XXXXX	256 (4x64) Kbytes
SA64-SA67	10000XXXXX	256 (4x64) Kbytes
SA68-SA71	10001XXXXX	256 (4x64) Kbytes
SA72-SA75	10010XXXXX	256 (4x64) Kbytes
SA76-SA79	10011XXXXX	256 (4x64) Kbytes
SA80-SA83	10100XXXXX	256 (4x64) Kbytes
SA84-SA87	10101XXXXX	256 (4x64) Kbytes
SA88-SA91	10110XXXXX	256 (4x64) Kbytes
SA92-SA95	10111XXXXX	256 (4x64) Kbytes
SA96-SA99	11000XXXXX	256 (4x64) Kbytes
SA100-SAI03	11001XXXXX	256 (4x64) Kbytes
SA104-SAI07	11010XXXXX	256 (4x64) Kbytes
SA108-SAI11	11011XXXXX	256 (4x64) Kbytes
SA112-SAI15	11100XXXXX	256 (4x64) Kbytes
SA116-SAI19	11101XXXXX	256 (4x64) Kbytes
SA120-SAI23	11110XXXXX	256 (4x64) Kbytes
SAI24-SAI26	111100XXX 111101XXX 111110XXX	192 (3x64) Kbytes
SAI27	111111000	8 Kbytes
SAI28	111111001	8 Kbytes
SAI29	111111010	8 Kbytes
SAI30	111111011	8 Kbytes
SAI31	111111100	8 Kbytes
SAI32	111111101	8 Kbytes
SAI33	111111110	8 Kbytes
SAI34	111111111	8 Kbytes

**Table 21. S29GL064M (Model R2) Bottom Boot Sector Protection**

Sector	A21-A12	Sector/ Sector Block Size
SA0	0000000000	8 Kbytes
SA1	0000000001	8 Kbytes
SA2	0000000010	8 Kbytes

**Table 21. S29GL064M (Model R2) Bottom Boot Sector Protection (Continued)**

Sector	A21-A12	Sector/ Sector Block Size
SA3	00000000II	8 Kbytes
SA4	0000000100	8 Kbytes
SA5	000000010I	8 Kbytes
SA6	00000001I0	8 Kbytes
SA7	00000001II	8 Kbytes
SA8-SA10	000000IXXXX, 0000010XXXX, 000001IXXXX,	192 (3x64) Kbytes
SA11-SA14	0000IXXXXX	256 (4x64) Kbytes
SA15-SA18	00010XXXXX	256 (4x64) Kbytes
SA19-SA22	0001IXXXXX	256 (4x64) Kbytes
SA23-SA26	00100XXXXX	256 (4x64) Kbytes
SA27-SA30	0010IXXXXX	256 (4x64) Kbytes
SA31-SA34	00110XXXXX	256 (4x64) Kbytes
SA35-SA38	0011IXXXXX	256 (4x64) Kbytes
SA39-SA42	01000XXXXX	256 (4x64) Kbytes
SA43-SA46	0100IXXXXX	256 (4x64) Kbytes
SA47-SA50	01010XXXXX	256 (4x64) Kbytes
SA51-SA54	0101IXXXXX	256 (4x64) Kbytes
SA55-SA58	01100XXXXX	256 (4x64) Kbytes
SA59-SA62	0110IXXXXX	256 (4x64) Kbytes
SA63-SA66	01110XXXXX	256 (4x64) Kbytes
SA67-SA70	0111IXXXXX	256 (4x64) Kbytes
SA71-SA74	10000XXXXX	256 (4x64) Kbytes
SA75-SA78	1000IXXXXX	256 (4x64) Kbytes
SA79-SA82	10010XXXXX	256 (4x64) Kbytes
SA83-SA86	1001IXXXXX	256 (4x64) Kbytes
SA87-SA90	10100XXXXX	256 (4x64) Kbytes
SA91-SA94	1010IXXXXX	256 (4x64) Kbytes
SA95-SA98	10110XXXXX	256 (4x64) Kbytes
SA99-SAI02	1011IXXXXX	256 (4x64) Kbytes
SAI03-SAI06	11000XXXXX	256 (4x64) Kbytes
SAI07-SAI10	1100IXXXXX	256 (4x64) Kbytes
SAI11-SAI14	11010XXXXX	256 (4x64) Kbytes
SAI15-SAI18	1101IXXXXX	256 (4x64) Kbytes
SAI19-SAI22	11100XXXXX	256 (4x64) Kbytes
SAI23-SAI26	1110IXXXXX	256 (4x64) Kbytes
SAI27-SAI30	11110XXXXX	256 (4x64) Kbytes
SAI31-SAI34	1111IXXXXX	256 (4x64) Kbytes

**Table 22. S29GL064M (Models R3, R4) Sector Group Protection/Unprotection Address Table**

Sector Group	A21-A15
SA0	0000000
SA1	0000001
SA2	0000010

Sector Group	A21-A15
SA3	0000011
SA4-SA7	00001xx
SA8-SA11	00010xx
SA12-SA15	00011xx
SA16-SA19	00100xx
SA20-SA23	00101xx
SA24-SA27	00110xx
SA28-SA31	00111xx
SA32-SA35	01000xx
SA36-SA39	01001xx
SA40-SA43	01010xx
SA44-SA47	01011xx
SA48-SA51	01100xx
SA52-SA55	01101xx
SA56-SA59	01110xx
SA60-SA63	01111xx
SA64-SA67	10000xx
SA68-SA71	10001xx
SA72-SA75	10010xx
SA76-SA79	10011xx
SA80-SA83	10100xx
SA84-SA87	10101xx
SA88-SA91	10110xx
SA92-SA95	10111xx
SA96-SA99	11000xx
SA100-SA103	11001xx
SA104-SA107	11010xx
SA108-SA111	11011xx
SA112-SA115	11100xx
SA116-SA119	11101xx
SA120-SA123	11110xx
SA124	1111100
SA125	1111101
SA126	1111110
SA127	1111111

**Table 23. S29GL064M (Model R5) Sector Group Protection/Unprotection Address Table**

Sector Group	A21-A17
SA0-SA3	00000
SA4-SA7	00001
SA8-SA11	00010
SA12-SA15	00011
SA16-SA19	00100
SA20-SA23	00101
SA24-SA27	00110
SA28-SA31	00111
SA32-SA35	01000
SA36-SA39	01001
SA40-SA43	01010
SA44-SA47	01011
SA48-SA51	01100
SA52-SA55	01101
SA56-SA59	01110
SA60-SA63	01111
SA64-SA67	10000
SA68-SA71	10001
SA72-SA75	10010
SA76-SA79	10011
SA80-SA83	10100
SA84-SA87	10101
SA88-SA91	10110
SA92-SA95	10111
SA96-SA99	11000
SA100-SA103	11001
SA104-SA107	11010
SA108-SA111	11011
SA112-SA115	11100
SA116-SA119	11101
SA120-SA123	11110
SA124-SA127	11111

**Note:** All sector groups are 128 Kwords in size.

**Table 24. S29GL064M (Models R6, R7) Sector Group Protection/Unprotection Address Table**

Sector Group	A21-A17
SA0-SA3	00000
SA4-SA7	00001
SA8-SA11	00010
SA12-SA15	00011
SA16-SA19	00100
SA20-SA23	00101
SA24-SA27	00110
SA28-SA31	00111
SA32-SA35	01000
SA36-SA39	01001
SA40-SA43	01010
SA44-SA47	01011
SA48-SA51	01100
SA52-SA55	01101
SA56-SA59	01110
SA60-SA63	01111
SA64-SA67	10000
SA68-SA71	10001
SA72-SA75	10010
SA76-SA79	10011
SA80-SA83	10100
SA84-SA87	10101
SA88-SA91	10110
SA92-SA95	10111
SA96-SA99	11000
SA100-SA103	11001
SA104-SA107	11010
SA108-SA111	11011
SA112-SA115	11100
SA116-SA119	11101
SA120-SA123	11110
SA124-SA127	11111

*Note: All sector groups are 128 Kwords in size.*

**Table 25. S29GLI28M Sector Group Protection/Unprotection Address Table**

Sector Group	A22-A15
SA0	00000000
SA1	00000001
SA2	00000010
SA3	00000011
SA4-SA7	000001xx



**Table 25. S29GLI28M Sector Group Protection/Unprotection Address Table (Continued)**

<b>Sector Group</b>	<b>A22-A15</b>
SA8-SA11	000010xx
SA12-SA15	000011xx
SA16-SA19	000100xx
SA20-SA23	000101xx
SA24-SA27	000110xx
SA28-SA31	000111xx
SA32-SA35	001000xx
SA36-SA39	001001xx
SA40-SA43	001010xx
SA44-SA47	001011xx
SA48-SA51	001100xx
SA52-SA55	001101xx
SA56-SA59	001110xx
SA60-SA63	001111xx
SA64-SA67	010000xx
SA68-SA71	010001xx
SA72-SA75	010010xx
SA76-SA79	010011xx
SA80-SA83	010100xx
SA84-SA87	010101xx
SA88-SA91	010110xx
SA92-SA95	010111xx
SA96-SA99	011000xx
SA100-SA103	011001xx
SA104-SA107	011010xx
SA108-SA111	011011xx
SA112-SA115	011100xx
SA116-SA119	011101xx
SA120-SA123	011110xx
SA124-SA127	011111xx
SA128-SA131	100000xx
SA132-SA135	100001xx
SA136-SA139	100010xx
SA140-SA143	100011xx
SA144-SA147	100100xx
SA148-SA151	100101xx
SA152-SA155	100110xx
SA156-SA159	100111xx
SA160-SA163	101000xx
SA164-SA167	101001xx
SA168-SA171	101010xx

**Table 25. S29GLI28M Sector Group Protection/Unprotection Address Table (Continued)**

Sector Group	A22–A15
SA172–SA175	101011xx
SA176–SA179	101100xx
SA180–SA183	101101xx
SA184–SA187	101110xx
SA188–SA191	101111xx
SA192–SA195	110000xx
SA196–SA199	110001xx
SA200–SA203	110010xx
SA204–SA207	110011xx
SA208–SA211	110100xx
SA212–SA215	110101xx
SA216–SA219	110110xx
SA220–SA223	110111xx
SA224–SA227	111000xx
SA228–SA231	111001xx
SA232–SA235	111010xx
SA236–SA239	111011xx
SA240–SA243	111100xx
SA244–SA247	111101xx
SA248–SA251	111110xx
SA252	11111100
SA253	11111101
SA254	11111110
SA255	11111111

**Table 26. S29GL256M Sector Group Protection/Unprotection Address Table**

Sector Group	A23–A15
SA0	000000000
SA1	000000001
SA2	000000010
SA3	000000011
SA4–SA7	0000001xx
SA8–SA11	0000010xx
SA12–SA15	0000011xx
SA16–SA19	0000100xx
SA20–SA23	0000101xx
SA24–SA27	0000110xx
SA28–SA31	0000111xx
SA32–SA35	0001000xx
SA36–SA39	0001001xx

**Table 26. S29GL256M Sector Group Protection/Unprotection Address Table (Continued)**

<b>Sector Group</b>	<b>A23-A15</b>
SA40-SA43	0001010xx
SA44-SA47	0001011xx
SA48-SA51	0001100xx
SA52-SA55	0001101xx
SA56-SA59	0001110xx
SA60-SA63	0001111xx
SA64-SA67	0010000xx
SA68-SA71	0010001xx
SA72-SA75	0010010xx
SA76-SA79	0010011xx
SA80-SA83	0010100xx
SA84-SA87	0010101xx
SA88-SA91	0010110xx
SA92-SA95	0010111xx
SA96-SA99	0011000xx
SA100-SA103	0011001xx
SA104-SA107	0011010xx
SA108-SA111	0011011xx
SA112-SA115	0011100xx
SA116-SA119	0011101xx
SA120-SA123	0011110xx
SA124-SA127	0011111xx
SA128-SA131	0100000xx
SA132-SA135	0100001xx
SA136-SA139	0100010xx
SA140-SA143	0100011xx
SA144-SA147	0100100xx
SA148-SA151	0100101xx
SA152-SA155	0100110xx
SA156-SA159	0100111xx
SA160-SA163	0101000xx
SA164-SA167	0101001xx
SA168-SA171	0101010xx
SA172-SA175	0101011xx
SA176-SA179	0101100xx
SA180-SA183	0101101xx
SA184-SA187	0101110xx
SA188-SA191	0101111xx
SA192-SA195	0110000xx
SA196-SA199	0110001xx
SA200-SA203	0110010xx

**Table 26. S29GL256M Sector Group Protection/Unprotection Address Table (Continued)**

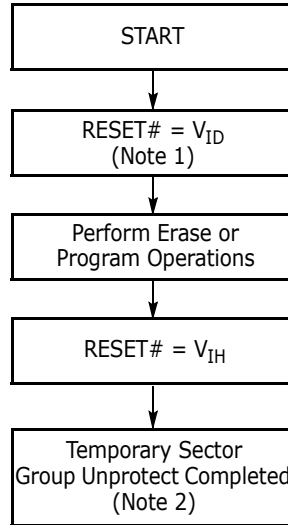
<b>Sector Group</b>	<b>A23–A15</b>
SA204–SA207	0110011xx
SA208–SA211	0110100xx
SA212–SA215	0110101xx
SA216–SA219	0110110xx
SA220–SA223	0110111xx
SA224–SA227	0111000xx
SA228–SA231	0111001xx
SA232–SA235	0111010xx
SA236–SA239	0111011xx
SA240–SA243	0111100xx
SA244–SA247	0111101xx
SA248–SA251	0111110xx
SA252–SA255	0111111xx
SA256–SA259	1000000xx
SA260–SA263	1000001xx
SA264–SA267	1000010xx
SA268–SA271	1000011xx
SA272–SA275	1000100xx
SA276–SA279	1000101xx
SA280–SA283	1000110xx
SA284–SA287	1000111xx
SA288–SA291	1001000xx
SA292–SA295	1001001xx
SA296–SA299	1001010xx
SA300–SA303	1001011xx
SA304–SA307	1001100xx
SA308–SA311	1001101xx
SA312–SA315	1001110xx
SA316–SA319	1001111xx
SA320–SA323	1010000xx
SA324–SA327	1010001xx
SA328–SA331	1010010xx
SA332–SA335	1010011xx
SA336–SA339	1010100xx
SA340–SA343	1010101xx
SA344–SA347	1010110xx
SA348–SA351	1010111xx
SA352–SA355	1011000xx
SA356–SA359	1011001xx
SA360–SA363	1011010xx
SA364–SA367	1011011xx

**Table 26. S29GL256M Sector Group Protection/Unprotection Address Table (Continued)**

<b>Sector Group</b>	<b>A23–A15</b>
SA368–SA371	1011100xx
SA372–SA375	1011101xx
SA376–SA379	1011110xx
SA380–SA383	1011111xx
SA384–SA387	1100000xx
SA388–SA391	1100001xx
SA392–SA395	1100010xx
SA396–SA399	1100011xx
SA400–SA403	1100100xx
SA404–SA407	1100101xx
SA408–SA411	1100110xx
SA412–SA415	1100111xx
SA416–SA419	1101000xx
SA420–SA423	1101001xx
SA424–SA427	1101010xx
SA428–SA431	1101011xx
SA432–SA435	1101100xx
SA436–SA439	1101101xx
SA440–SA443	1101110xx
SA444–SA447	1101111xx
SA448–SA451	1110000xx
SA452–SA455	1110001xx
SA456–SA459	1110010xx
SA460–SA463	1110011xx
SA464–SA467	1110100xx
SA468–SA471	1110101xx
SA472–SA475	1110110xx
SA476–SA479	1110111xx
SA480–SA483	1111000xx
SA484–SA487	1111001xx
SA488–SA491	1111010xx
SA492–SA495	1111011xx
SA496–SA499	1111100xx
SA500–SA503	1111101xx
SA504–SA507	1111110xx
SA508	111111100
SA509	111111101
SA510	111111110
SA511	111111111

### Temporary Sector Group Unprotect

This feature allows temporary unprotection of previously protected sector groups to change data in-system. The Sector Group Unprotect mode is activated by setting the RESET# pin to  $V_{ID}$ . During this mode, formerly protected sector groups can be programmed or erased by selecting the sector group addresses. Once  $V_{ID}$  is removed from the RESET# pin, all the previously protected sector groups are protected again. Figure 1 shows the algorithm, and Figure 23 shows the timing diagrams, for this feature.



**Notes:**

1. All protected sector groups unprotected (If  $WP\# = V_{IL}$ , the first or last sector will remain protected).
2. All previously protected sector groups are protected once again.

**Figure 1. Temporary Sector Group Unprotect Operation**

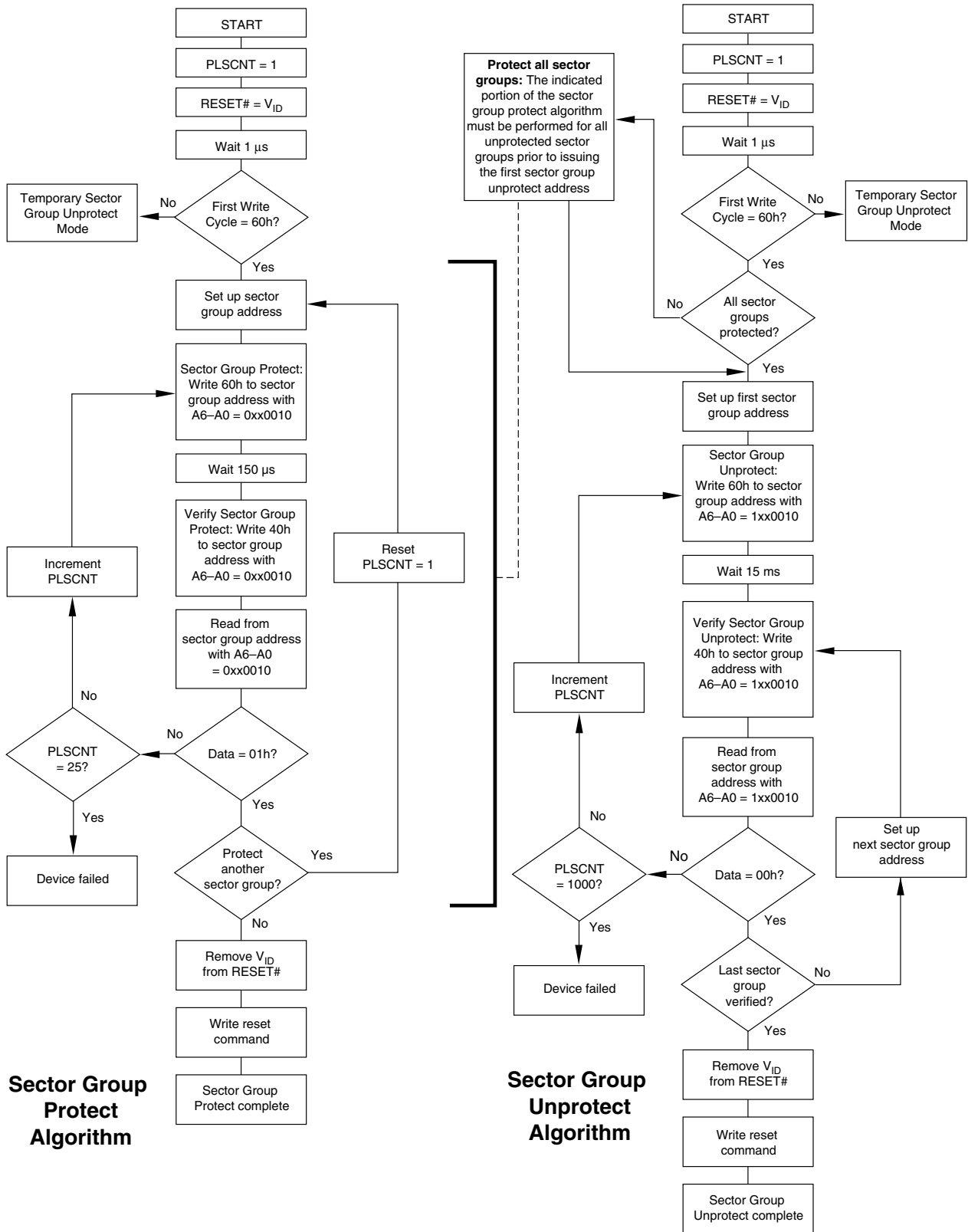


Figure 2. In-System Sector Group Protect/Unprotect Algorithms

## SecSi (Secured Silicon) Sector Flash Memory Region

The SecSi (Secured Silicon) Sector feature provides a Flash memory region that enables permanent part identification through an Electronic Serial Number (ESN). The SecSi Sector is 256 bytes in length, and uses a SecSi Sector Indicator Bit (DQ7) to indicate whether or not the SecSi Sector is locked when shipped from the factory. This bit is permanently set at the factory and cannot be changed, which prevents cloning of a factory locked part. This ensures the security of the ESN once the product is shipped to the field.

The factory offers the device with the SecSi Sector either customer lockable (standard shipping option) or factory locked (contact a Spansion sales representative for ordering information). The customer-lockable version is shipped with the SecSi Sector unprotected, allowing customers to program the sector after receiving the device. The customer-lockable version also has the SecSi Sector Indicator Bit permanently set to a "0." The factory-locked version is always protected when shipped from the factory, and has the SecSi (Secured Silicon) Sector Indicator Bit permanently set to a "1." Thus, the SecSi Sector Indicator Bit prevents customer-lockable devices from being used to replace devices that are factory locked. *Note that the ACC function and unlock bypass modes are not available when the SecSi Sector is enabled.*

The SecSi sector address space in this device is allocated as follows:

SecSi Sector Address Range	Customer Lockable	ESN Factory Locked	ExpressFlash Factory Locked
000000h–000007h	Determined by customer	ESN	ESN or determined by customer
000008h–00007Fh		Unavailable	Determined by customer

The system accesses the SecSi Sector through a command sequence (see "Write Protect (WP#)"). After the system has written the Enter SecSi Sector command sequence, it may read the SecSi Sector by using the addresses normally occupied by the first sector (SA0). This mode of operation continues until the system issues the Exit SecSi Sector command sequence, or until power is removed from the device. On power-up, or following a hardware reset, the device reverts to sending commands to sector SA0.

### Customer Lockable: SecSi Sector NOT Programmed or Protected At the Factory

Unless otherwise specified, the device is shipped such that the customer may program and protect the 256-byte SecSi sector.

The system may program the SecSi Sector using the write-buffer, accelerated and/or unlock bypass methods, in addition to the standard programming command sequence. See Command Definitions.

Programming and protecting the SecSi Sector must be used with caution since, once protected, there is no procedure available for unprotecting the SecSi Sector area and none of the bits in the SecSi Sector memory space can be modified in any way.

The SecSi Sector area can be protected using one of the following procedures:

- Write the three-cycle Enter SecSi Sector Region command sequence, and then follow the in-system sector protect algorithm as shown in [Figure 2](#), except that *RESET#* may be at either  $V_{IH}$  or  $V_{ID}$ . This allows in-system protec-



tion of the SecSi Sector without raising any device pin to a high voltage. Note that this method is only applicable to the SecSi Sector.

- To verify the protect/unprotect status of the SecSi Sector, follow the algorithm shown in [Figure 1](#).

Once the SecSi Sector is programmed, locked and verified, the system must write the Exit SecSi Sector Region command sequence to return to reading and writing within the remainder of the array.

### **Factory Locked: SecSi Sector Programmed and Protected At the Factory**

In devices with an ESN, the SecSi Sector is protected when the device is shipped from the factory. The SecSi Sector cannot be modified in any way. An ESN Factory Locked device has an 16-byte random ESN at addresses 000000h–000007h. Please contact your sales representative for details on ordering ESN Factory Locked devices.

Customers may opt to have their code programmed by the factory through the Spansion programming service (Customer Factory Locked). The devices are then shipped from the factory with the SecSi Sector permanently locked. Contact your sales representative for details on using the Spansion programming service.

### **Write Protect (WP#)**

The Write Protect function provides a hardware method of protecting the first or last sector group without using  $V_{ID}$ . Write Protect is one of two functions provided by the WP#/ACC input.

If the system asserts  $V_{IL}$  on the WP#/ACC pin, the device disables program and erase functions in the first or last sector group independently of whether those sector groups were protected or unprotected. Note that if WP#/ACC is at  $V_{IL}$  when the device is in the standby mode, the maximum input load current is increased. See the table in "DC Characteristics" section on page 122.

**If the system asserts  $V_{IH}$  on the WP#/ACC pin, the device reverts to whether the first or last sector was previously set to be protected or unprotected using the method described in "Sector Group Protection and Unprotection". Note that WP# has an internal pullup; when unconnected, WP# is at  $V_{IH}$ .**

### **Hardware Data Protection**

The command sequence requirement of unlock cycles for programming or erasing provides data protection against inadvertent writes (refer to Tables 16 and 17 for command definitions). In addition, the following hardware data protection measures prevent accidental erasure or programming, which might otherwise be caused by spurious system level signals during  $V_{CC}$  power-up and power-down transitions, or from system noise.

#### **Low $V_{CC}$ Write Inhibit**

When  $V_{CC}$  is less than  $V_{LKO}$ , the device does not accept any write cycles. This protects data during  $V_{CC}$  power-up and power-down. The command register and all internal program/erase circuits are disabled, and the device resets to the read mode. Subsequent writes are ignored until  $V_{CC}$  is greater than  $V_{LKO}$ . The system must provide the proper signals to the control pins to prevent unintentional writes when  $V_{CC}$  is greater than  $V_{LKO}$ .

**Write Pulse “Glitch” Protection**

Noise pulses of less than 3 ns (typical) on OE#, CE# or WE# do not initiate a write cycle.

**Logical Inhibit**

Write cycles are inhibited by holding any one of OE# =  $V_{IL}$ , CE# =  $V_{IH}$  or WE# =  $V_{IH}$ . To initiate a write cycle, CE# and WE# must be a logical zero while OE# is a logical one.

**Power-Up Write Inhibit**

If WE# = CE# =  $V_{IL}$  and OE# =  $V_{IH}$  during power up, the device does not accept commands on the rising edge of WE#. The internal state machine is automatically reset to the read mode on power-up.

**Common Flash Memory Interface (CFI)**

The Common Flash Interface (CFI) specification outlines device and host system software interrogation handshake, which allows specific vendor-specified software algorithms to be used for entire families of devices. Software support can then be device-independent, JEDEC ID-independent, and forward- and backward-compatible for the specified flash device families. Flash vendors can standardize their existing interfaces for long-term compatibility.

This device enters the CFI Query mode when the system writes the CFI Query command, 98h, to address 55h, any time the device is ready to read array data. The system can read CFI information at the addresses given in Tables 27-30. To terminate reading CFI data, the system must write the reset command.

The system can also write the CFI query command when the device is in the autoselect mode. The device enters the CFI query mode, and the system can read CFI data at the addresses given in Tables 27-30. The system must write the reset command to return the device to reading array data.

For further information, please refer to the CFI Specification and CFI Publication 100, available via the World Wide Web at <http://www.amd.com/flash/cfi>. Alternatively, contact your sales representative for copies of these documents.

**Table 27. CFI Query Identification String**

Addresses (x16)	Addresses (x8)	Data	Description
10h 11h 12h	20h 22h 24h	0051h 0052h 0059h	Query Unique ASCII string "QRY"
13h 14h	26h 28h	0002h 0000h	Primary OEM Command Set
15h 16h	2Ah 2Ch	0040h 0000h	Address for Primary Extended Table
17h 18h	2Eh 30h	0000h 0000h	Alternate OEM Command Set (00h = none exists)
19h 1Ah	32h 34h	0000h 0000h	Address for Alternate OEM Extended Table (00h = none exists)

**Table 28. System Interface String**

Addresses (x16)	Addresses (x8)	Data	Description
1Bh	36h	0027h	V <sub>CC</sub> Min. (write/erase) D7-D4: volt, D3-D0: 100 millivolt
1Ch	38h	0036h	V <sub>CC</sub> Max. (write/erase) D7-D4: volt, D3-D0: 100 millivolt
1Dh	3Ah	0000h	V <sub>pp</sub> Min. voltage (00h = no V <sub>pp</sub> pin present)
1Eh	3Ch	0000h	V <sub>pp</sub> Max. voltage (00h = no V <sub>pp</sub> pin present)
1Fh	3Eh	0007h	Reserved for future use
20h	40h	0007h	Typical timeout for Min. size buffer write 2 <sup>n</sup> μs (00h = not supported)
21h	42h	000Ah	Typical timeout per individual block erase 2 <sup>n</sup> ms
22h	44h	0000h	Typical timeout for full chip erase 2 <sup>n</sup> ms (00h = not supported)
23h	46h	0001h	Reserved for future use
24h	48h	0005h	Max. timeout for buffer write 2 <sup>n</sup> times typical
25h	4Ah	0004h	Max. timeout per individual block erase 2 <sup>n</sup> times typical
26h	4Ch	0000h	Max. timeout for full chip erase 2 <sup>n</sup> times typical (00h = not supported)

**Note:** CFI data related to V<sub>CC</sub> and time-outs may differ from actual V<sub>CC</sub> and time-outs of the product. Please consult the Ordering Information tables to obtain the V<sub>CC</sub> range for particular part numbers. Please contact the Erase and Programming Performance table for typical timeout specifications.

**Table 29. Device Geometry Definition**

Addresses (x16)	Addresses (x8)	Data	Description
27h	4Eh	0019h 0018h 0017h 0016h	Device Size = 2 <sup>N</sup> byte 19 = 256 Mb, 18 = 128 Mb, 17 = 64 Mb, 16 = 32 Mb
28h 29h	50h 52h	000xh 0000h	Flash Device Interface description (refer to CFI publication 100) 0000h = x8-only bus devices 0001h = x16-only bus devices 0002h = x8/x16 bus devices
2Ah 2Bh	54h 56h	0005h 0000h	Max. number of byte in multi-byte write = 2 <sup>N</sup> (00h = not supported)
2Ch	58h	0001h 0002h	Number of Erase Block Regions within device (01h = uniform device, 02h = boot device)
2Dh 2Eh 2Fh 30h	5Ah 5Ch 5Eh 60h	00xxh 000xh 00x0h 000xh	Erase Block Region 1 Information (refer to the CFI specification or CFI publication 100) 003Fh, 0000h, 0001h = 32 Mb (-R0, -R3, -R4) 007Fh, 0000h, 0020h, 0000h = 32 Mb (-R1, -R2), 64 Mb (-R1, -R2) 007Fh, 0000h, 0000h, 0001h = 64 Mb (-R0, -R3, -R4, -R5, -R6, -R7) 00FFh, 0000h, 0000h, 0001h = 128 Mb 00FFh, 0001h, 0000h, 0001h = 256 Mb
31h 32h 33h 34h	60h 64h 66h 68h	00xxh 0000h 0000h 000xh	Erase Block Region 2 Information (refer to CFI publication 100) 003Eh, 0000h, 0000h, 0001h = 32 Mb (-R1, -R2) 007Eh, 0000h, 0000h, 0001h = 64 Mb (-R1, -R2) 0000h, 0000h, 0000h, 0000h = all others
35h 36h 37h 38h	6Ah 6Ch 6Eh 70h	0000h 0000h 0000h 0000h	Erase Block Region 3 Information (refer to CFI publication 100)
39h 3Ah 3Bh 3Ch	72h 74h 76h 78h	0000h 0000h 0000h 0000h	Erase Block Region 4 Information (refer to CFI publication 100)

Table 30. Primary Vendor-Specific Extended Query

Addresses (x16)	Addresses (x8)	Data	Description
40h 41h 42h	80h 82h 84h	0050h 0052h 0049h	Query-unique ASCII string "PRI"
43h	86h	0031h	Major version number, ASCII
44h	88h	0033h	Minor version number, ASCII
45h	8Ah	000xh	Address Sensitive Unlock (Bits 1-0) 0 = Required, 1 = Not Required Process Technology (Bits 7-2) 0010b = 0.23 $\mu$ m MirrorBit 0009h = x8-only bus devices 0008h = all other devices
46h	8Ch	0002h	Erase Suspend 0 = Not Supported, 1 = To Read Only, 2 = To Read & Write
47h	8Eh	0001h	Sector Protect 0 = Not Supported, X = Number of sectors in per group
48h	90h	0000h	Sector Temporary Unprotect 00 = Not Supported, 01 = Supported
49h	92h	0004h	Sector Protect/Unprotect scheme 0004h = Standard Mode (Refer to Text)
4Ah	94h	0000h	Simultaneous Operation 00 = Not Supported, X = Number of Sectors in Bank
4Bh	96h	0000h	Burst Mode Type 00 = Not Supported, 01 = Supported
4Ch	98h	0001h	Page Mode Type 00 = Not Supported, 01 = 4 Word Page, 02 = 8 Word Page
4Dh	9Ah	00B5h	ACC (Acceleration) Supply Minimum 00h = Not Supported, D7-D4: Volt, D3-D0: 100 mV
4Eh	9Ch	00C5h	ACC (Acceleration) Supply Maximum 00h = Not Supported, D7-D4: Volt, D3-D0: 100 mV
4Fh	9Eh	00xxh	Top/Bottom Boot Sector Flag 00h = Uniform Device without WP# protect, 02h = Bottom Boot Device, 03h = Top Boot Device, 04h = Uniform sectors bottom WP# protect, 05h = Uniform sectors top WP# protect
50h	A0h	0001h	Program Suspend 00h = Not Supported, 01h = Supported

## Command Definitions

Writing specific address and data commands or sequences into the command register initiates device operations. Table 31 and Table 32 define the valid register command sequences. *Writing incorrect address and data values or writing them in the improper sequence may place the device in an unknown state.* A reset command is then required to return the device to reading array data.

All addresses are latched on the falling edge of WE# or CE#, whichever happens later. All data is latched on the rising edge of WE# or CE#, whichever happens first. Refer to the AC Characteristics section for timing diagrams.

## Reading Array Data

The device is automatically set to reading array data after device power-up. No commands are required to retrieve data. The device is ready to read array data after completing an Embedded Program or Embedded Erase algorithm.

After the device accepts an Erase Suspend command, the device enters the erase-suspend-read mode, after which the system can read data from any non-erase-suspended sector. After completing a programming operation in the Erase Suspend mode, the system may once again read array data with the same exception. See the Erase Suspend/Erase Resume Commands section for more information.

The system *must* issue the reset command to return the device to the read (or erase-suspend-read) mode if DQ5 goes high during an active program or erase operation, or if the device is in the autoselect mode. See the next section, Reset Command, for more information.

See also Requirements for Reading Array Data in the Device Bus Operations section for more information. The Read-Only Operations—"AC Characteristics" section on page 124 provides the read parameters, and Figure 13 shows the timing diagram.

## Reset Command

Writing the reset command resets the device to the read or erase-suspend-read mode. Address bits are don't cares for this command.

The reset command may be written between the sequence cycles in an erase command sequence before erasing begins. This resets the device to the read mode. Once erasure begins, however, the device ignores reset commands until the operation is complete.

The reset command may be written between the sequence cycles in a program command sequence before programming begins. This resets the device to the read mode. If the program command sequence is written while the device is in the Erase Suspend mode, writing the reset command returns the device to the erase-suspend-read mode. Once programming begins, however, the device ignores reset commands until the operation is complete.

The reset command may be written between the sequence cycles in an autoselect command sequence. Once in the autoselect mode, the reset command must be written to return to the read mode. If the device entered the autoselect mode while in the Erase Suspend mode, writing the reset command returns the device to the erase-suspend-read mode.

If DQ5 goes high during a program or erase operation, writing the reset command returns the device to the read mode (or erase-suspend-read mode if the device was in Erase Suspend).

Note that if DQ1 goes high during a Write Buffer Programming operation, the system must write the Write-to-Buffer-Abort Reset command sequence to reset the device for the next operation.

## Autoselect Command Sequence

The autoselect command sequence allows the host system to read several identifier codes at specific addresses:

Identifier Code	A7:A0 (x16)	A6:A-1 (x8)
Manufacturer ID	00h	00h
Device ID, Cycle 1	01h	02h
Device ID, Cycle 2	0Eh	1Ch
Device ID, Cycle 3	0Fh	1Eh
SecSi Sector Factory Protect	03h	06h
Sector Protect Verify	(SA)02h	(SA)04h

**Note:** The device ID is read over three cycles. SA = Sector Address

The autoselect command sequence is initiated by first writing two unlock cycles. This is followed by a third write cycle that contains the autoselect command. The device then enters the autoselect mode. The system may read at any address any number of times without initiating another autoselect command sequence:

The system must write the reset command to return to the read mode (or erase-suspend-read mode if the device was previously in Erase Suspend).

## Enter SecSi Sector/Exit SecSi Sector Command Sequence

The SecSi Sector region provides a secured data area containing an 8-word/16-byte random Electronic Serial Number (ESN). The system can access the SecSi Sector region by issuing the three-cycle Enter SecSi Sector command sequence. The device continues to access the SecSi Sector region until the system issues the four-cycle Exit SecSi Sector command sequence. The Exit SecSi Sector command sequence returns the device to normal operation. Table 31 and Table 32 show the address and data requirements for both command sequences. See also "SecSi (Secured Silicon) Sector Flash Memory Region" for further information. *Note that the ACC function and unlock bypass modes are not available when the SecSi Sector is enabled.*

## Word Program Command Sequence

Programming is a four-bus-cycle operation. The program command sequence is initiated by writing two unlock write cycles, followed by the program set-up command. The program address and data are written next, which in turn initiate the Embedded Program algorithm. The system is not required to provide further controls or timings. The device automatically provides internally generated program pulses and verifies the programmed cell margin. Tables 31 and 32 show the address and data requirements for the word program command sequence, respectively.

When the Embedded Program algorithm is complete, the device then returns to the read mode and addresses are no longer latched. The system can determine the status of the program operation by using DQ7 or DQ6. Refer to the Write Operation Status section for information on these status bits. Any commands written to the device during the Embedded Program Algorithm are ignored. *Note that the SecSi Sector, autoselect, and CFI functions are unavailable when a program operation is in progress.* Note that a **hardware reset** immediately terminates the program operation. The program command sequence should be

reinitiated once the device has returned to the read mode, to ensure data integrity.

Programming is allowed in any sequence of address locations and across sector boundaries. Programming to the same word address multiple times without intervening erases (incremental bit programming) requires a modified programming method. For such application requirements, please contact your local Spansion representative. Word programming is supported for backward compatibility with existing Flash driver software and for occasional writing of individual words. Use of write buffer programming (see below) is strongly recommended for general programming use when more than a few words are to be programmed. The effective word programming time using write buffer programming is approximately four times shorter than the single word programming time.

**Any bit in a word cannot be programmed from "0" back to a "1."** Attempting to do so may cause the device to set DQ5=1, or cause DQ7 and DQ6 status bits to indicate the operation was successful. However, a succeeding read will show that the data is still "0." Only erase operations can convert a "0" to a "1."

### Unlock Bypass Command Sequence

The unlock bypass feature allows the system to program words to the device faster than using the standard program command sequence. The unlock bypass command sequence is initiated by first writing two unlock cycles. This is followed by a third write cycle containing the unlock bypass command, 20h. The device then enters the unlock bypass mode. A two-cycle unlock bypass mode command sequence is all that is required to program in this mode. The first cycle in this sequence contains the unlock bypass program command, A0h; the second cycle contains the program address and data. Additional data is programmed in the same manner. This mode dispenses with the initial two unlock cycles required in the standard program command sequence, resulting in faster total programming time. Tables 31 and 32 show the requirements for the command sequence.

During the unlock bypass mode, only the Unlock Bypass Program and Unlock Bypass Reset commands are valid. To exit the unlock bypass mode, the system must issue the two-cycle unlock bypass reset command sequence. The first cycle must contain the data 90h. The second cycle must contain the data 00h. The device then returns to the read mode.

### Write Buffer Programming

Write Buffer Programming allows the system write to a maximum of 16 words/32 bytes in one programming operation. This results in faster effective programming time than the standard programming algorithms. The Write Buffer Programming command sequence is initiated by first writing two unlock cycles. This is followed by a third write cycle containing the Write Buffer Load command written at the Sector Address in which programming will occur. The fourth cycle writes the sector address and the number of word locations, minus one, to be programmed. For example, if the system will program 6 unique address locations, then 05h should be written to the device. This tells the device how many write buffer addresses will be loaded with data and therefore when to expect the Program Buffer to Flash command. The number of locations to program cannot exceed the size of the write buffer or the operation will abort.

The fifth cycle writes the first address location and data to be programmed. The write-buffer-page is selected by address bits  $A_{MAX}-A_4$ . All subsequent address/



data pairs must fall within the selected-write-buffer-page. The system then writes the remaining address/data pairs into the write buffer. Write buffer locations may be loaded in any order.

The write-buffer-page address must be the same for all address/data pairs loaded into the write buffer. (This means Write Buffer Programming cannot be performed across multiple write-buffer pages.) This also means that Write Buffer Programming cannot be performed across multiple sectors. If the system attempts to load programming data outside of the selected write-buffer page, the operation will abort.

Note that if a Write Buffer address location is loaded multiple times, the address/data pair counter will be decremented for every data load operation. The host system must therefore account for loading a write-buffer location more than once. The counter decrements for each data load operation, not for each unique write-buffer-address location. Note also that if an address location is loaded more than once into the buffer, the final data loaded for that address will be programmed.

Once the specified number of write buffer locations have been loaded, the system must then write the Program Buffer to Flash command at the sector address. Any other address and data combination aborts the Write Buffer Programming operation. The device then begins programming. Data polling should be used while monitoring the last address location loaded into the write buffer. DQ7, DQ6, DQ5, and DQ1 should be monitored to determine the device status during Write Buffer Programming.

The write-buffer programming operation can be suspended using the standard program suspend/resume commands. Upon successful completion of the Write Buffer Programming operation, the device is ready to execute the next command.

The Write Buffer Programming Sequence can be aborted in the following ways:

- Load a value that is greater than the page buffer size during the Number of Locations to Program step.
- Write to an address in a sector different than the one specified during the Write-Buffer-Load command.
- Write an Address/Data pair to a different write-buffer-page than the one selected by the Starting Address during the write buffer data loading stage of the operation.
- Write data other than the Confirm Command after the specified number of data load cycles.

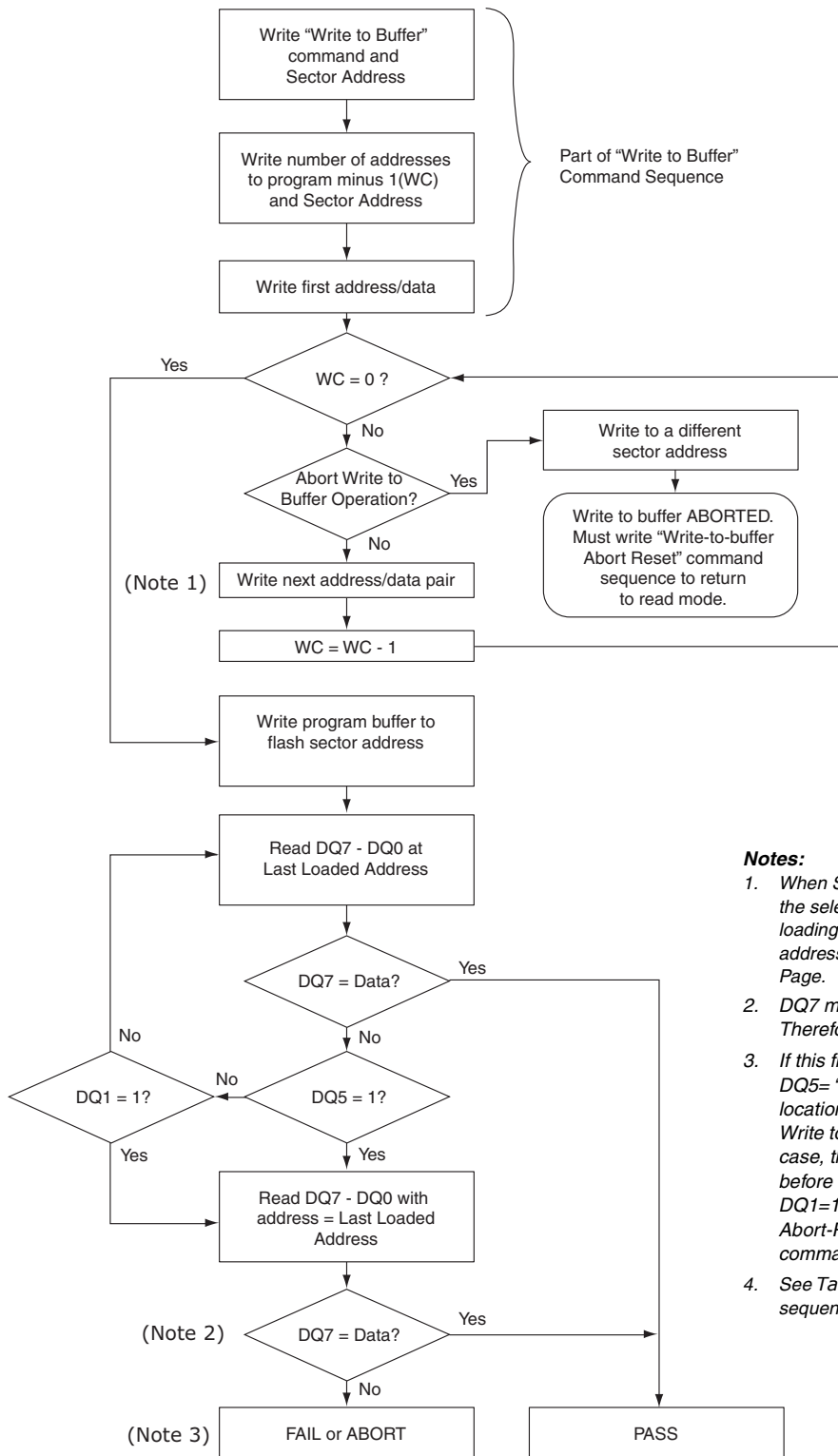
The abort condition is indicated by DQ1 = 1, DQ7 = DATA# (for the last address location loaded), DQ6 = toggle, and DQ5=0. A Write-to-Buffer-Abort Reset command sequence must be written to reset the device for the next operation.

*Note that the SecSi Sector, autoselect, and CFI functions are unavailable when a program operation is in progress.* This flash device is capable of handling multiple write buffer programming operations on the same write buffer address range without intervening erases. For applications requiring incremental bit programming, a modified programming method is required; please contact your local Spansion representative. **Any bit in a write buffer address range cannot be programmed from "0" back to a "1."** Attempting to do so may cause the device to set DQ5=1, of cause the DQ7 and DQ6 status bits to indicate the operation was successful. However, a succeeding read will show that the data is still "0." Only erase operations can convert a "0" to a "1."

### Accelerated Program

The device offers accelerated program operations through the WP#/ACC or ACC pin depending on the particular product. When the system asserts  $V_{HH}$  on the WP#/ACC or ACC pin. The device uses the higher voltage on the WP#/ACC or ACC pin to accelerate the operation. *Note that the WP#/ACC pin must not be at  $V_{HH}$  for operations other than accelerated programming, or device damage may result. WP# has an internal pullup; when unconnected, WP# is at  $V_{IH}$ .*

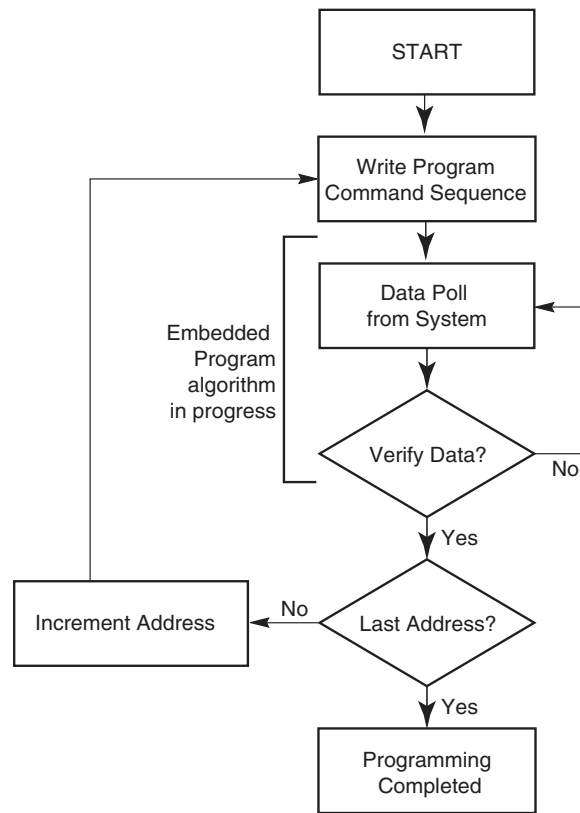
Figure 3 illustrates the algorithm for the program operation. Refer to the Erase and Program Operations—"AC Characteristics" section on page 124 section for parameters, and Figure 14 for timing diagrams.



**Notes:**

1. When Sector Address is specified, any address in the selected sector is acceptable. However, when loading Write-Buffer address locations with data, all addresses must fall within the selected Write-Buffer Page.
2. DQ7 may change simultaneously with DQ5. Therefore, DQ7 should be verified.
3. If this flowchart location was reached because DQ5= "1", then the device FAILED. If this flowchart location was reached because DQ1= "1", then the Write to Buffer operation was ABORTED. In either case, the proper reset command must be written before the device can begin another operation. If DQ1=1, write the Write-Buffer-Programming-Abort-Reset command. If DQ5=1, write the Reset command.
4. See Table 31 and Table 32 for command sequences required for write buffer programming.

**Figure 3. Write Buffer Programming Operation**



**Note:** See Table 31 and Table 32 for program command sequence.

**Figure 4. Program Operation**

### Program Suspend/Program Resume Command Sequence

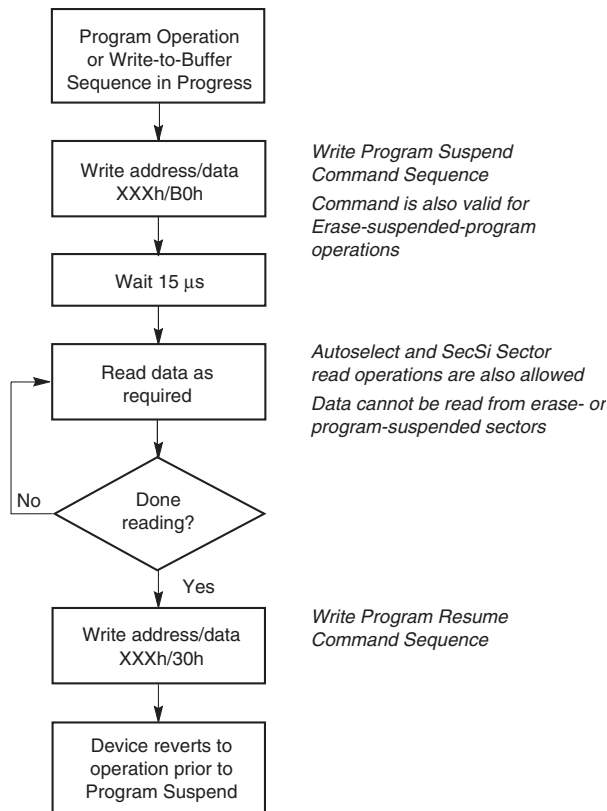
The Program Suspend command allows the system to interrupt a programming operation or a Write to Buffer programming operation so that data can be read from any non-suspended sector. When the Program Suspend command is written during a programming process, the device halts the program operation within 15  $\mu$ s maximum (5 $\mu$ s typical) and updates the status bits. Addresses are not required when writing the Program Suspend command.

After the programming operation has been suspended, the system can read array data from any non-suspended sector. The Program Suspend command may also be issued during a programming operation while an erase is suspended. In this case, data may be read from any addresses not in Erase Suspend or Program Suspend. If a read is needed from the SecSi Sector area (One-time Program area), then user must use the proper command sequences to enter and exit this region. Note that the SecSi Sector, autoselect, and CFI functions are unavailable when a program operation is in progress.

The system may also write the autoselect command sequence when the device is in the Program Suspend mode. The system can read as many autoselect codes as required. When the device exits the autoselect mode, the device reverts to the Program Suspend mode, and is ready for another valid operation. See Autoselect Command Sequence for more information.

After the Program Resume command is written, the device reverts to programming. The system can determine the status of the program operation using the DQ7 or DQ6 status bits, just as in the standard program operation. See Write Operation Status for more information.

The system must write the Program Resume command (address bits are don't care) to exit the Program Suspend mode and continue the programming operation. Further writes of the Resume command are ignored. Another Program Suspend command can be written after the device has resumed programming.



**Figure 5. Program Suspend/Program Resume**

## Chip Erase Command Sequence

Chip erase is a six bus cycle operation. The chip erase command sequence is initiated by writing two unlock cycles, followed by a set-up command. Two additional unlock write cycles are then followed by the chip erase command, which in turn invokes the Embedded Erase algorithm. The device does *not* require the system to preprogram prior to erase. The Embedded Erase algorithm automatically preprograms and verifies the entire memory for an all zero data pattern prior to electrical erase. The system is not required to provide any controls or timings during these operations. Table 31 and Table 32 show the address and data requirements for the chip erase command sequence.

When the Embedded Erase algorithm is complete, the device returns to the read mode and addresses are no longer latched. The system can determine the status of the erase operation by using DQ7, DQ6, or DQ2. Refer to the Write Operation Status section for information on these status bits.

Any commands written during the chip erase operation are ignored. However, note that a **hardware reset** immediately terminates the erase operation. If that occurs, the chip erase command sequence should be reinitiated once the device has returned to reading array data, to ensure data integrity.

Figure 6 illustrates the algorithm for the erase operation. Refer to the Erase and Program Operations table in the AC Characteristics section for parameters, and Figure 18 section for timing diagrams.

## Sector Erase Command Sequence

Sector erase is a six bus cycle operation. The sector erase command sequence is initiated by writing two unlock cycles, followed by a set-up command. Two additional unlock cycles are written, and are then followed by the address of the sector to be erased, and the sector erase command. Table 31 and Table 32 shows the address and data requirements for the sector erase command sequence.

The device does *not* require the system to preprogram prior to erase. The Embedded Erase algorithm automatically programs and verifies the entire memory for an all zero data pattern prior to electrical erase. The system is not required to provide any controls or timings during these operations.

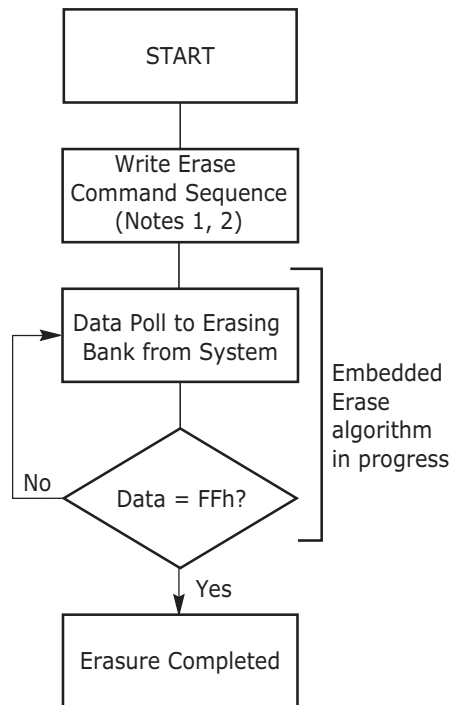
After the command sequence is written, a sector erase time-out of 50  $\mu$ s occurs. During the time-out period, additional sector addresses and sector erase commands may be written. Loading the sector erase buffer may be done in any sequence, and the number of sectors may be from one sector to all sectors. The time between these additional cycles must be less than 50  $\mu$ s, otherwise erasure may begin. Any sector erase address and command following the exceeded time-out may or may not be accepted. It is recommended that processor interrupts be disabled during this time to ensure all commands are accepted. The interrupts can be re-enabled after the last Sector Erase command is written. **Any command other than Sector Erase or Erase Suspend during the time-out period resets the device to the read mode.** *Note that the SecSi Sector, autoselect, and CFI functions are unavailable when an erase operation is in progress.* The system must rewrite the command sequence and any additional addresses and commands.

The system can monitor DQ3 to determine if the sector erase timer has timed out (See the section on DQ3: Sector Erase Timer.). The time-out begins from the rising edge of the final WE# pulse in the command sequence.

When the Embedded Erase algorithm is complete, the device returns to reading array data and addresses are no longer latched. The system can determine the status of the erase operation by reading DQ7, DQ6, or DQ2 in the erasing sector. Refer to the Write Operation Status section for information on these status bits.

Once the sector erase operation has begun, only the Erase Suspend command is valid. All other commands are ignored. However, note that a **hardware reset** immediately terminates the erase operation. If that occurs, the sector erase command sequence should be reinitiated once the device has returned to reading array data, to ensure data integrity.

Figure 6 illustrates the algorithm for the erase operation. Refer to the Erase and Program Operations table in the AC Characteristics section for parameters, and Figure 18 section for timing diagrams.

**Notes:**

1. See Table 31 and Table 32 for program command sequence.
2. See the section on DQ3 for information on the sector erase timer.

**Figure 6. Erase Operation****Erase Suspend/Erase Resume Commands**

The Erase Suspend command, B0h, allows the system to interrupt a sector erase operation and then read data from, or program data to, any sector not selected for erasure. This command is valid only during the sector erase operation, including the 50  $\mu$ s time-out period during the sector erase command sequence. The Erase Suspend command is ignored if written during the chip erase operation or Embedded Program algorithm.

When the Erase Suspend command is written during the sector erase operation, the device requires a typical of 5  $\mu$ s (maximum of 20  $\mu$ s) to suspend the erase operation. However, when the Erase Suspend command is written during the sector erase time-out, the device immediately terminates the time-out period and suspends the erase operation.

After the erase operation has been suspended, the device enters the erase-suspend-read mode. The system can read data from or program data to any sector not selected for erasure. (The device "erase suspends" all sectors selected for erasure.) Reading at any address within erase-suspended sectors produces status information on DQ7–DQ0. The system can use DQ7, or DQ6 and DQ2 together, to determine if a sector is actively erasing or is erase-suspended. Refer to the Write Operation Status section for information on these status bits.

After an erase-suspended program operation is complete, the device returns to the erase-suspend-read mode. The system can determine the status of the pro-

gram operation using the DQ7 or DQ6 status bits, just as in the standard word program operation. Refer to the Write Operation Status section for more information.

In the erase-suspend-read mode, the system can also issue the autoselect command sequence. Refer to the "Autoselect Mode" section on page 78 and "Autoselect Command Sequence" section on page 103 sections for details.

To resume the sector erase operation, the system must write the Erase Resume command. Further writes of the Resume command are ignored. Another Erase Suspend command can be written after the chip has resumed erasing.

*Note: During an erase operation, this flash device performs multiple internal operations which are invisible to the system. When an erase operation is suspended, any of the internal operations that were not fully completed must be restarted. As such, if this flash device is continually issued suspend/resume commands in rapid succession, erase progress will be impeded as a function of the number of suspends. The result will be a longer cumulative erase time than without suspends. Note that the additional suspends do not affect device reliability or future performance. In most systems rapid erase/suspend activity occurs only briefly. In such cases, erase performance will not be significantly impacted.*



## Command Definitions

**Table 31. Command Definitions (x16 Mode, BYTE# = VIH)**

Command Sequence (Note 1)	Cycles	Bus Cycles (Notes 2–5)											
		First		Second		Third		Fourth		Fifth		Sixth	
		Addr	Data	Addr	Data	Addr	Data	Addr	Data	Addr	Data	Addr	Data
Read (Note 6)	1	RA	RD										
Reset (Note 7)	1	XXX	F0										
Autoselect (Note 8)	Manufacturer ID	4	555	AA	2AA	55	555	90	X00	000I			
	Device ID (Note 9)	4	555	AA	2AA	55	555	90	X0I	227E	X0E (Note 18)	X0F (Note 18)	
	SecSi <sup>®</sup> Sector Factory Protect (Note 10)	4	555	AA	2AA	55	555	90	X03	(Note 10)			
	Sector Group Protect Verify (Note 12)	4	555	AA	2AA	55	555	90	(SA)X02	00/0I			
Enter SecSi Sector Region	3	555	AA	2AA	55	555	88						
Exit SecSi Sector Region	4	555	AA	2AA	55	555	90	XXX	00				
Program	4	555	AA	2AA	55	555	A0	PA	PD				
Write to Buffer (Note 11)	3	555	AA	2AA	55	SA	25	SA	WC	PA	PD	WBL	PD
Program Buffer to Flash	1	SA	29										
Write to Buffer Abort Reset (Note 13)	3	555	AA	2AA	55	555	F0						
Unlock Bypass	3	555	AA	2AA	55	555	20						
Unlock Bypass Program (Note 14)	2	XXX	A0	PA	PD								
Unlock Bypass Reset (Note 15)	2	XXX	90	XXX	00								
Chip Erase	6	555	AA	2AA	55	555	80	555	AA	2AA	55	555	I0
Sector Erase	6	555	AA	2AA	55	555	80	555	AA	2AA	55	SA	30
Program/Erase Suspend (Note 16)	1	XXX	B0										
Program/Erase Resume (Note 17)	1	XXX	30										
CFI Query (Note 18)	1	55	98										

**Legend:**

X = Don't care  
 RA = Read Address of memory location to be read.  
 RD = Read Data read from location RA during read operation.  
 PA = Program Address. Addresses latch on falling edge of WE# or CE# pulse, whichever happens later.

PD = Program Data for location PA. Data latches on rising edge of WE# or CE# pulse, whichever happens first.  
 SA = Sector Address of sector to be verified (in autoselect mode) or erased. Address bits A21–A15 uniquely select any sector.  
 WBL = Write Buffer Location. Address must be within same write buffer page as PA.  
 WC = Word Count. Number of write buffer locations to load minus 1.

**Notes:**

- See Table 1 for description of bus operations.
- All values are in hexadecimal.
- Shaded cells indicate read cycles. All others are write cycles.
- During unlock and command cycles, when lower address bits are 555 or 2AA as shown in table, address bits above A11 and data bits above DQ7 are don't care.
- No unlock or command cycles required when device is in read mode.
- Reset command is required to return to read mode (or to erase-suspend-read mode if previously in Erase Suspend) when device is in autoselect mode, or if DQ5 goes high while device is providing status information.
- Fourth cycle of the autoselect command sequence is a read cycle. Data bits DQ15–DQ8 are don't care. Except for RD, PD and WC. See Autoselect Command Sequence section for more information.
- Device ID must be read in three cycles.
- If WP# protects highest address sector, data is 98h for factory locked and 18h for not factory locked. If WP# protects lowest address sector, data is 88h for factory locked and 08h for not factor locked.
- Data is 00h for an unprotected sector group and 01h for a protected sector group.
- Total number of cycles in command sequence is determined by number of words written to write buffer. Maximum number of cycles in command sequence is 21, including "Program Buffer to Flash" command.
- Command sequence resets device for next command after aborted write-to-buffer operation.
- Unlock Bypass command is required prior to Unlock Bypass Program command.
- Unlock Bypass Reset command is required to return to read mode when device is in unlock bypass mode.
- System may read and program in non-erasing sectors, or enter autoselect mode, when in Erase Suspend mode. Erase Suspend command is valid only during a sector erase operation.
- Erase Resume command is valid only during Erase Suspend mode.
- Command is valid when device is ready to read array data or when device is in autoselect mode.
- Refer to Table 14, AutoSelect Codes for individual Device IDs per device density and model number.

**Table 32. Command Definitions (x8 Mode, BYTE# = V<sub>IL</sub>)**

Command Sequence (Note 1)	Cycles	Bus Cycles (Notes 2–5)												
		First		Second		Third		Fourth		Fifth		Sixth		
		Addr	Data	Addr	Data	Addr	Data	Addr	Data	Addr	Data	Addr	Data	
Read (Note 6)	1	RA	RD											
Reset (Note 7)	1	XXX	F0											
Autoselect (Note 8)	Manufacturer ID	4	AAA	AA	555	55	AAA	90	X00	01				
	Device ID (Note 9)	4	AAA	AA	555	55	AAA	90	X02	7E	X1C	(Note 17)	X1E	(Note 17)
	SecSi <sup>®</sup> Sector Factory Protect (Note 10)	4	AAA	AA	555	55	AAA	90	X06	(Note 10)				
	Sector Group Protect Verify (Note 12)	4	AAA	AA	555	55	AAA	90	(SA)X04	00/01				
Enter SecSi Sector Region	3	AAA	AA	555	55	AAA	88							
Exit SecSi Sector Region	4	AAA	AA	555	55	AAA	90	XXX	00					
Write to Buffer (Note 11)	3	AAA	AA	555	55	SA	25	SA	BC	PA	PD	WBL	PD	
Program Buffer to Flash	1	SA	29											
Write to Buffer Abort Reset (Note 13)	3	AAA	AA	555	55	AAA	F0							
Chip Erase	6	AAA	AA	555	55	AAA	80	AAA	AA	555	55	AAA	10	
Sector Erase	6	AAA	AA	555	55	AAA	80	AAA	AA	555	55	SA	30	
Program/Erase Suspend (Note 14)	1	XXX	B0											
Program/Erase Resume (Note 15)	1	XXX	30											
CFI Query (Note 16)	1	AA	98											

**Legend:**

X = Don't care  
 RA = Read Address of memory location to be read.  
 RD = Read Data read from location RA during read operation.  
 PA = Program Address. Addresses latch on falling edge of WE# or CE# pulse, whichever happens later.

PD = Program Data for location PA. Data latches on rising edge of WE# or CE# pulse, whichever happens first.  
 SA = Sector Address of sector to be verified (in autoselect mode) or erased. Address bits A21–A15 uniquely select any sector.  
 WBL = Write Buffer Location. Address must be within same write buffer page as PA.  
 BC = Byte Count. Number of write buffer locations to load minus 1.

**Notes:**

- See Table 1 for description of bus operations.
- All values are in hexadecimal.
- Shaded cells indicate read cycles. All others are write cycles.
- During unlock and command cycles, when lower address bits are 555 or AAA as shown in table, address bits above A11 are don't care.
- Unless otherwise noted, address bits A21–A11 are don't cares.
- No unlock or command cycles required when device is in read mode.
- Reset command is required to return to read mode (or to erase-suspend-read mode if previously in Erase Suspend) when device is in autoselect mode, or if DQ5 goes high while device is providing status information.
- Fourth cycle of autoselect command sequence is a read cycle. Data bits DQ15–DQ8 are don't care. See [Autoselect Command Sequence](#) section for more information.
- Device ID must be read in three cycles.
- If WP# protects highest address sector, data is 98h for factory locked and 18h for not factory locked. If WP# protects lowest address sector, data is 88h for factory locked and 08h for not factory locked.
- Data is 00h for an unprotected sector group and 01h for a protected sector group.
- Total number of cycles in command sequence is determined by number of bytes written to write buffer. Maximum number of cycles in command sequence is 37, including "Program Buffer to Flash" command.
- Command sequence resets device for next command after aborted write-to-buffer operation.
- System may read and program in non-erasing sectors, or enter autoselect mode, when in Erase Suspend mode. Erase Suspend command is valid only during a sector erase operation.
- Erase Resume command is valid only during Erase Suspend mode.
- Command is valid when device is ready to read array data or when device is in autoselect mode.
- Refer to Table 14, AutoSelect Codes for individual Device IDs per device density and model number.

## Write Operation Status

The device provides several bits to determine the status of a program or erase operation: DQ2, DQ3, DQ5, DQ6, and DQ7. Table 19 and the following subsections describe the function of these bits. DQ7 and DQ6 each offer a method for determining whether a program or erase operation is complete or in progress. The device also provides a hardware-based output signal, RY/BY#, to determine whether an Embedded Program or Erase operation is in progress or has been completed.

### DQ7: Data# Polling

The Data# Polling bit, DQ7, indicates to the host system whether an Embedded Program or Erase algorithm is in progress or completed, or whether the device is in Erase Suspend. Data# Polling is valid after the rising edge of the final WE# pulse in the command sequence.

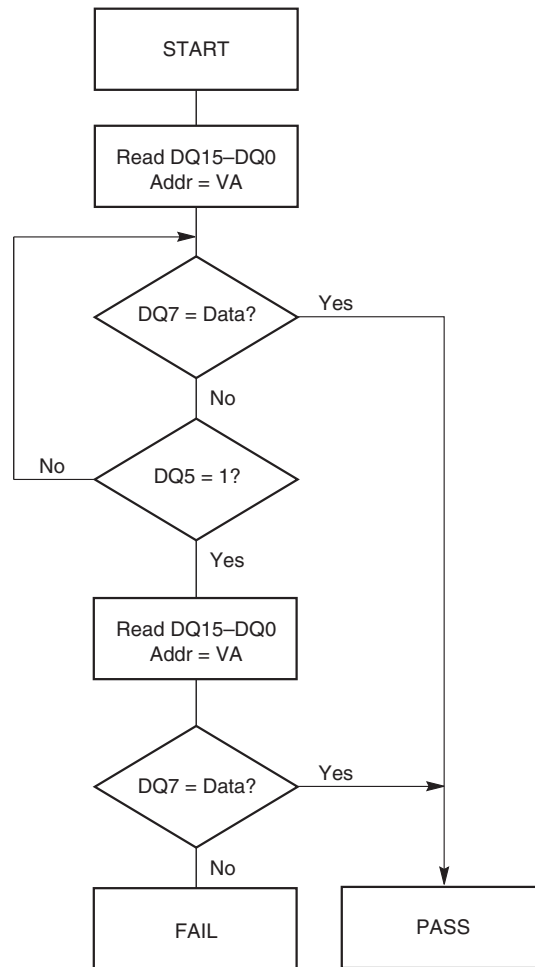
During the Embedded Program algorithm, the device outputs on DQ7 the complement of the datum programmed to DQ7. This DQ7 status also applies to programming during Erase Suspend. When the Embedded Program algorithm is complete, the device outputs the datum programmed to DQ7. The system must provide the program address to read valid status information on DQ7. If a program address falls within a protected sector, Data# Polling on DQ7 is active for approximately 1  $\mu$ s, then the device returns to the read mode.

During the Embedded Erase algorithm, Data# Polling produces a "0" on DQ7. When the Embedded Erase algorithm is complete, or if the device enters the Erase Suspend mode, Data# Polling produces a "1" on DQ7. The system must provide an address within any of the sectors selected for erasure to read valid status information on DQ7.

After an erase command sequence is written, if all sectors selected for erasing are protected, Data# Polling on DQ7 is active for approximately 100  $\mu$ s, then the device returns to the read mode. If not all selected sectors are protected, the Embedded Erase algorithm erases the unprotected sectors, and ignores the selected sectors that are protected. However, if the system reads DQ7 at an address within a protected sector, the status may not be valid.

Just prior to the completion of an Embedded Program or Erase operation, DQ7 may change asynchronously with DQ0–DQ6 while Output Enable (OE#) is asserted low. That is, the device may change from providing status information to valid data on DQ7. Depending on when the system samples the DQ7 output, it may read the status or valid data. Even if the device has completed the program or erase operation and DQ7 has valid data, the data outputs on DQ0–DQ6 may be still invalid. Valid data on DQ0–DQ7 will appear on successive read cycles.

Table 33 shows the outputs for Data# Polling on DQ7. Figure 7 shows the Data# Polling algorithm. Figure 17 in the AC Characteristics section shows the Data# Polling timing diagram.



**Notes:**

1. VA = Valid address for programming. During a sector erase operation, a valid address is any sector address within the sector being erased. During chip erase, a valid address is any non-protected sector address.
2. DQ7 should be rechecked even if DQ5 = "1" because DQ7 may change simultaneously with DQ5.

**Figure 7. Data# Polling Algorithm**

**RY/BY#: Ready/Busy#**

The RY/BY# is a dedicated, open-drain output pin which indicates whether an Embedded Algorithm is in progress or complete. The RY/BY# status is valid after the rising edge of the final WE# pulse in the command sequence. Since RY/BY# is an open-drain output, several RY/BY# pins can be tied together in parallel with a pull-up resistor to V<sub>CC</sub>.

If the output is low (Busy), the device is actively erasing or programming. (This includes programming in the Erase Suspend mode.) If the output is high (Ready), the device is in the read mode, the standby mode, or in the erase-suspend-read mode. Table 33 shows the outputs for RY/BY#.

## DQ6: Toggle Bit I

Toggle Bit I on DQ6 indicates whether an Embedded Program or Erase algorithm is in progress or complete, or whether the device has entered the Erase Suspend mode. Toggle Bit I may be read at any address, and is valid after the rising edge of the final WE# pulse in the command sequence (prior to the program or erase operation), and during the sector erase time-out.

During an Embedded Program or Erase algorithm operation, successive read cycles to any address cause DQ6 to toggle. The system may use either OE# or CE# to control the read cycles. When the operation is complete, DQ6 stops toggling.

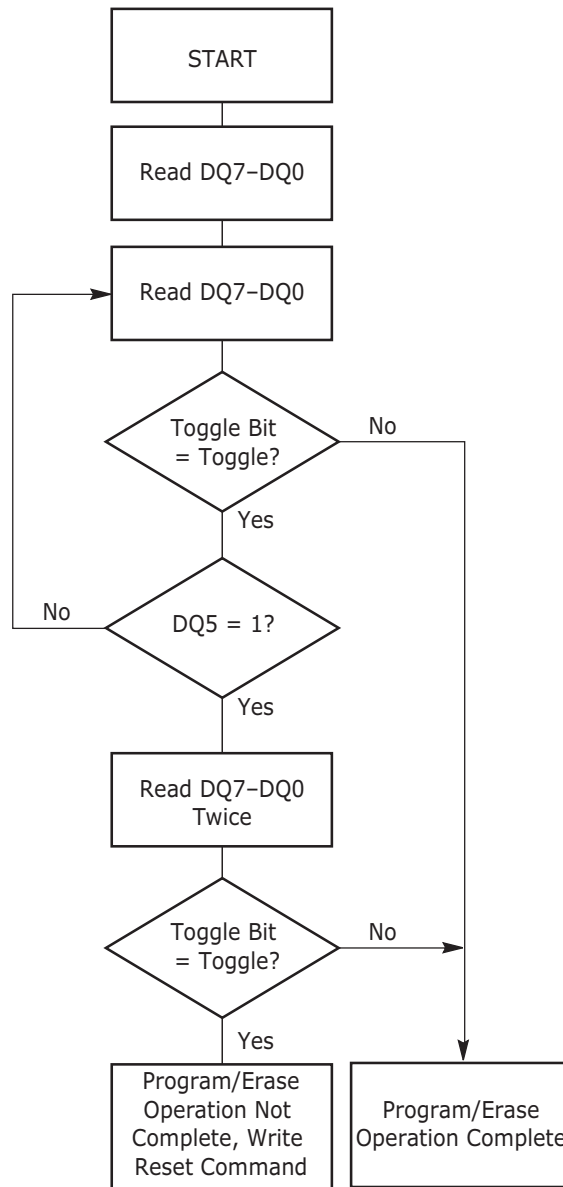
After an erase command sequence is written, if all sectors selected for erasing are protected, DQ6 toggles for approximately 100  $\mu$ s, then returns to reading array data. If not all selected sectors are protected, the Embedded Erase algorithm erases the unprotected sectors, and ignores the selected sectors that are protected.

The system can use DQ6 and DQ2 together to determine whether a sector is actively erasing or is erase-suspended. When the device is actively erasing (that is, the Embedded Erase algorithm is in progress), DQ6 toggles. When the device enters the Erase Suspend mode, DQ6 stops toggling. However, the system must also use DQ2 to determine which sectors are erasing or erase-suspended. Alternatively, the system can use DQ7 (see the subsection on DQ7: Data# Polling).

If a program address falls within a protected sector, DQ6 toggles for approximately 1  $\mu$ s after the program command sequence is written, then returns to reading array data.

DQ6 also toggles during the erase-suspend-program mode, and stops toggling once the Embedded Program algorithm is complete.

Table 33 shows the outputs for Toggle Bit I on DQ6. Figure 8 shows the toggle bit algorithm. Figure 20 in the "AC Characteristics" section shows the toggle bit timing diagrams. Figure 21 shows the differences between DQ2 and DQ6 in graphical form. See also the subsection on DQ2: Toggle Bit II.



**Note:**  
 The system should recheck the toggle bit even if DQ5 = “1” because the toggle bit may stop toggling as DQ5 changes to “1.” See the subsections on DQ6 and DQ2 for more information.

**Figure 8. Toggle Bit Algorithm**

**DQ2: Toggle Bit II**

The “Toggle Bit II” on DQ2, when used with DQ6, indicates whether a particular sector is actively erasing (that is, the Embedded Erase algorithm is in progress), or whether that sector is erase-suspended. Toggle Bit II is valid after the rising edge of the final WE# pulse in the command sequence.

DQ2 toggles when the system reads at addresses within those sectors that have been selected for erasure. (The system may use either OE# or CE# to control the read cycles.) But DQ2 cannot distinguish whether the sector is actively erasing or is erase-suspended. DQ6, by comparison, indicates whether the device is actively erasing, or is in Erase Suspend, but cannot distinguish which sectors are selected for erasure. Thus, both status bits are required for sector and mode information. Refer to Table 33 to compare outputs for DQ2 and DQ6.

Figure 8 shows the toggle bit algorithm in flowchart form, and the section “DQ2: Toggle Bit II” explains the algorithm. See also the RY/BY#: Ready/Busy# subsection. Figure 20 shows the toggle bit timing diagram. Figure 21 shows the differences between DQ2 and DQ6 in graphical form.

### Reading Toggle Bits DQ6/DQ2

Refer to Figure 8 for the following discussion. Whenever the system initially begins reading toggle bit status, it must read DQ7–DQ0 at least twice in a row to determine whether a toggle bit is toggling. Typically, the system would note and store the value of the toggle bit after the first read. After the second read, the system would compare the new value of the toggle bit with the first. If the toggle bit is not toggling, the device has completed the program or erase operation. The system can read array data on DQ7–DQ0 on the following read cycle.

However, if after the initial two read cycles, the system determines that the toggle bit is still toggling, the system also should note whether the value of DQ5 is high (see the section on DQ5). If it is, the system should then determine again whether the toggle bit is toggling, since the toggle bit may have stopped toggling just as DQ5 went high. If the toggle bit is no longer toggling, the device has successfully completed the program or erase operation. If it is still toggling, the device did not complete the operation successfully, and the system must write the reset command to return to reading array data.

The remaining scenario is that the system initially determines that the toggle bit is toggling and DQ5 has not gone high. The system may continue to monitor the toggle bit and DQ5 through successive read cycles, determining the status as described in the previous paragraph. Alternatively, it may choose to perform other system tasks. In this case, the system must start at the beginning of the algorithm when it returns to determine the status of the operation (top of Figure 6).

### DQ5: Exceeded Timing Limits

DQ5 indicates whether the program, erase, or write-to-buffer time has exceeded a specified internal pulse count limit. Under these conditions DQ5 produces a “1,” indicating that the program or erase cycle was not successfully completed.

The device may output a “1” on DQ5 if the system tries to program a “1” to a location that was previously programmed to “0.” **Only an erase operation can change a “0” back to a “1.”** Under this condition, the device halts the operation, and when the timing limit has been exceeded, DQ5 produces a “1.”

In all these cases, the system must write the reset command to return the device to the reading the array (or to erase-suspend-read if the device was previously in the erase-suspend-program mode).

### DQ3: Sector Erase Timer

After writing a sector erase command sequence, the system may read DQ3 to determine whether or not erasure has begun. (The sector erase timer does not

apply to the chip erase command.) If additional sectors are selected for erasure, the entire time-out also applies after each additional sector erase command. When the time-out period is complete, DQ3 switches from a "0" to a "1." If the time between additional sector erase commands from the system can be assumed to be less than 50  $\mu$ s, the system need not monitor DQ3. See also the Sector Erase Command Sequence section.

After the sector erase command is written, the system should read the status of DQ7 (Data# Polling) or DQ6 (Toggle Bit I) to ensure that the device has accepted the command sequence, and then read DQ3. If DQ3 is "1," the Embedded Erase algorithm has begun; all further commands (except Erase Suspend) are ignored until the erase operation is complete. If DQ3 is "0," the device will accept additional sector erase commands. To ensure the command has been accepted, the system software should check the status of DQ3 prior to and following each subsequent sector erase command. If DQ3 is high on the second status check, the last command might not have been accepted.

Table 33 shows the status of DQ3 relative to the other status bits.

### DQ1: Write-to-Buffer Abort

DQ1 indicates whether a Write-to-Buffer operation was aborted. Under these conditions DQ1 produces a "1". The system must issue the Write-to-Buffer-Abort-Reset command sequence to return the device to reading array data. See Write Buffer section for more details.

**Table 33. Write Operation Status**

Status		DQ7 (Note 2)	DQ6	DQ5 (Note 1)	DQ3	DQ2 (Note 2)	DQ1	RY/BY#	
Standard Mode	Embedded Program Algorithm	DQ7#	Toggle	0	N/A	No toggle	0	0	
	Embedded Erase Algorithm	0	Toggle	0	1	Toggle	N/A	0	
Program Suspend Mode	Program-Suspend Read	Program-Suspended Sector	Invalid (not allowed)					1	
	Program-Suspend Read	Non-Program Suspended Sector	Data					1	
Erase Suspend Mode	Erase-Suspend Read	Erase-Suspended Sector	1	No toggle	0	N/A	Toggle	N/A	1
		Non-Erase Suspended Sector	Data					1	
	Erase-Suspend-Program (Embedded Program)	DQ7#	Toggle	0	N/A	N/A	N/A	0	
Write-to-Buffer	Busy (Note 3)	DQ7#	Toggle	0	N/A	N/A	0	0	
	Abort (Note 4)	DQ7#	Toggle	0	N/A	N/A	1	0	

**Notes:**

1. DQ5 switches to '1' when an Embedded Program, Embedded Erase, or Write-to-Buffer operation has exceeded the maximum timing limits. Refer to the section on DQ5 for more information.
2. DQ7 and DQ2 require a valid address when reading status information. Refer to the appropriate subsection for further details.
3. The Data# Polling algorithm should be used to monitor the last loaded write-buffer address location.
4. DQ1 switches to '1' when the device has aborted the write-to-buffer operation

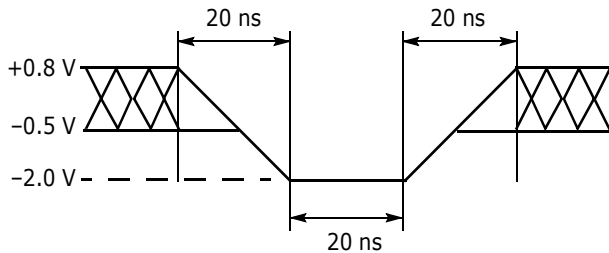


## ABSOLUTE MAXIMUM RATINGS

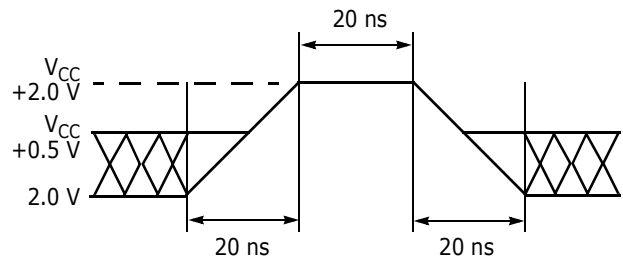
Storage Temperature, Plastic Packages . . . . .	-65°C to +150°C
Ambient Temperature with Power Applied . . . . .	-65°C to +125°C
Voltage with Respect to Ground:	
V <sub>CC</sub> (Note 1). . . . .	-0.5 V to +4.0 V
. . . . . A9, OE#, ACC and RESET# (Note 2)	-0.5 V to +12.5 V
All other pins (Note 1). . . . .	-0.5 V to V <sub>CC</sub> +0.5 V
Output Short Circuit Current (Note 3). . . . .	200 mA

**Notes:**

1. Minimum DC voltage on input or I/Os is -0.5 V. During voltage transitions, inputs or I/Os may overshoot V<sub>SS</sub> to -2.0 V for periods of up to 20 ns. See Figure 9. Maximum DC voltage on input or I/Os is V<sub>CC</sub> + 0.5 V. During voltage transitions, input or I/O pins may overshoot to V<sub>CC</sub> + 2.0 V for periods up to 20 ns. See Figure 10.
2. Minimum DC input voltage on pins A9, OE#, ACC, and RESET# is -0.5 V. During voltage transitions, A9, OE#, ACC, and RESET# may overshoot V<sub>SS</sub> to -2.0 V for periods of up to 20 ns. See Figure 9. Maximum DC input voltage on pin A9, OE#, ACC, and RESET# is +12.5 V which may overshoot to +14.0V for periods up to 20 ns.
3. No more than one output may be shorted to ground at a time. Duration of the short circuit should not be greater than one second.
4. Stresses above those listed under "Absolute Maximum Ratings" may cause permanent damage to the device. This is a stress rating only; functional operation of the device at these or any other conditions above those indicated in the operational sections of this data sheet is not implied. Exposure of the device to absolute maximum rating conditions for extended periods may affect device reliability.



**Figure 9. Maximum Negative Overshoot Waveform**



**Figure 10. Maximum Positive Overshoot Waveform**

## Operating Ranges

**Industrial (I) Devices**

Ambient Temperature (T <sub>A</sub> ) . . . . .	-40°C to +85°C
---	----------------

**Supply Voltages**

V <sub>CC</sub> for full voltage range . . . . .	+2.7 V to +3.6 V
V <sub>CC</sub> for regulated voltage range. . . . .	+3.0 V to +3.6 V
V <sub>I/O</sub> . . . . .	V <sub>CC</sub>

**Notes:**

1. Operating ranges define those limits between which the functionality of the device is guaranteed.

## DC Characteristics

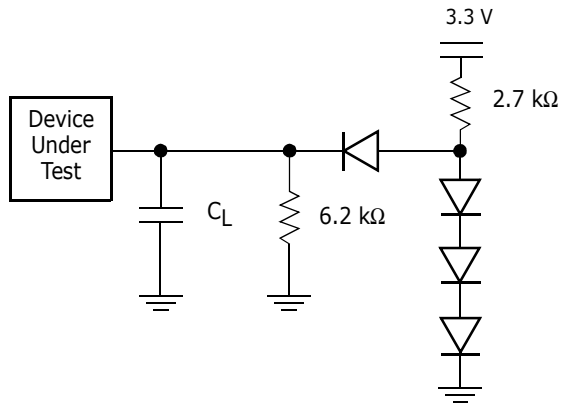
### CMOS Compatible

Parameter Symbol	Parameter Description (Notes)	Test Conditions	Min	Typ	Max	Unit	
$I_{LI}$	Input Load Current (1)	$V_{IN} = V_{SS}$ to $V_{CC}$ , $V_{CC} = V_{CC\ max}$			±1.0	μA	
$I_{LIT}$	A9, ACC Input Load Current	$V_{CC} = V_{CC\ max}$ ; A9 = 12.5 V			35	μA	
$I_{LR}$	Reset Leakage Current	$V_{CC} = V_{CC\ max}$ ; RESET# = 12.5 V			35	μA	
$I_{LO}$	Output Leakage Current	$V_{OUT} = V_{SS}$ to $V_{CC}$ , $V_{CC} = V_{CC\ max}$			±1.0	μA	
$I_{CC1}$	$V_{CC}$ Initial Read Current (2), (3)	CE# = $V_{IL}$ , OE# = $V_{IH}$ ,	1 MHz		5	20	mA
			5 MHz (4)		18	25	
			5 MHz (5)		25	35	
			10 MHz (4)		35	50	
			10 MHz (5)		40	60	
$I_{CC2}$	$V_{CC}$ Intra-Page Read Current (2), (3)	CE# = $V_{IL}$ , OE# = $V_{IH}$	10 MHz		5	20	mA
			40 MHz		10	40	
$I_{CC3}$	$V_{CC}$ Active Write Current (3), (4)	CE# = $V_{IL}$ , OE# = $V_{IH}$		50	60	mA	
$I_{CC4}$	$V_{CC}$ Standby Current (3)	CE#, RESET# = $V_{CC} \pm 0.3$ V, WP# = $V_{IH}$		1	5	μA	
$I_{CC5}$	$V_{CC}$ Reset Current (3)	RESET# = $V_{SS} \pm 0.3$ V, WP# = $V_{IH}$		1	5	μA	
$I_{CC6}$	Automatic Sleep Mode (3), (7)	$V_{IH} = V_{CC} \pm 0.3$ V; $-0.1 < V_{IL} \leq 0.3$ V, WP# = $V_{IH}$		1	5	μA	
$V_{IL}$	Input Low Voltage 1(8)		-0.5		0.8	V	
$V_{IH}$	Input High Voltage 1 (8)		0.7 $V_{CC}$		$V_{CC} + 0.5$	V	
$V_{HH}$	Voltage for ACC Program Acceleration	$V_{CC} = 2.7 - 3.6$ V	11.5	12.0	12.5	V	
$V_{ID}$	Voltage for Autoselect and Temporary Sector Unprotect	$V_{CC} = 2.7 - 3.6$ V	11.5	12.0	12.5	V	
$V_{OL}$	Output Low Voltage (8)	$I_{OL} = 4.0$ mA, $V_{CC} = V_{CC\ min}$			0.45	V	
$V_{OH1}$	Output High Voltage	$I_{OH} = -2.0$ mA, $V_{CC} = V_{CC\ min}$	0.85 $V_{CC}$			V	
$V_{OH2}$		$I_{OH} = -100$ μA, $V_{CC} = V_{CC\ min}$	$V_{CC} - 0.4$			V	
$V_{LKO}$	Low $V_{CC}$ Lock-Out Voltage (9)		2.3		2.5	V	

#### Notes:

1. On the WP#/ACC pin only, the maximum input load current when WP# =  $V_{IL}$  is ± 2.0 μA.
2. The  $I_{CC}$  current listed is typically less than 2 mA/MHz, with OE# at  $V_{IH}$ .
3. Maximum  $I_{CC}$  specifications are tested with  $V_{CC} = V_{CC\ max}$ .
4. S29GL032M, S29GL064M
5. S29GL128M, S29GL256M
6.  $I_{CC}$  active while Embedded Erase or Embedded Program is in progress.
7. Automatic sleep mode enables the low power mode when addresses remain stable for  $t_{ACC} + 30$  ns.
8.  $V_{CC}$  voltage requirements.
9. Not 100% tested.

## Test Conditions



**Note:** Diodes are IN3064 or equivalent

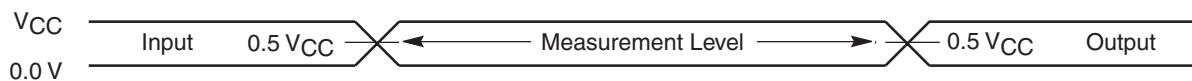
**Figure II. Test Setup**

**Table 34. Test Specifications**

Test Condition	All Speeds	Unit
Output Load	1 TTL gate	
Output Load Capacitance, $C_L$ (including jig capacitance)	30	pF
Input Rise and Fall Times	5	ns
Input Pulse Levels	0.0 or $V_{CC}$	V
Input timing measurement reference levels (See Note)	0.5 $V_{CC}$	V
Output timing measurement reference levels	0.5 $V_{CC}$	V

## Key to Switching Waveforms

WAVEFORM	INPUTS	OUTPUTS
		Steady
		Changing from H to L
		Changing from L to H
	Don't Care, Any Change Permitted	Changing, State Unknown
	Does Not Apply	Center Line is High Impedance State (High Z)



**Figure 12. Input Waveforms and Measurement Levels**

## AC Characteristics

### Read-Only Operations-S29GL256M only

Parameter		Description	Test Setup		Speed Options		Unit
JEDEC	Std.				10	11	
$t_{AVAV}$	$t_{RC}$	Read Cycle Time (Note 1)		Min	100	100	ns
$t_{AVQV}$	$t_{ACC}$	Address to Output Delay	CE#, OE# = $V_{IL}$	Max	100	100	ns
$t_{ELQV}$	$t_{CE}$	Chip Enable to Output Delay	OE# = $V_{IL}$	Max	100	100	ns
	$t_{PACC}$	Page Access Time		Max	30	30	ns
$t_{GLQV}$	$t_{OE}$	Output Enable to Output Delay		Max	30	30	ns
$t_{EHQZ}$	$t_{DF}$	Chip Enable to Output High Z (Note 1)		Max	16		ns
$t_{GHQZ}$	$t_{DF}$	Output Enable to Output High Z (Note 1)		Max	16		ns
$t_{AXQX}$	$t_{OH}$	Output Hold Time From Addresses, CE# or OE#, Whichever Occurs First		Min	0		ns
	$t_{OEH}$	Output Enable Hold Time (Note 1)	Read	Min	0		ns
			Toggle and Data# Polling	Min	10		ns

**Notes:**

1. Not 100% tested.
2. See [Figure 11](#) and [Table 34](#) for test specifications.

### Read-Only Operations-S29GL128M only

Parameter		Description	Test Setup		Speed Options		Unit
JEDEC	Std.				90	10	
$t_{AVAV}$	$t_{RC}$	Read Cycle Time (Note 1)		Min	90	100	ns
$t_{AVQV}$	$t_{ACC}$	Address to Output Delay	CE#, OE# = $V_{IL}$	Max	90	100	ns
$t_{ELQV}$	$t_{CE}$	Chip Enable to Output Delay	OE# = $V_{IL}$	Max	90	100	ns
	$t_{PACC}$	Page Access Time		Max	25	30	ns
$t_{GLQV}$	$t_{OE}$	Output Enable to Output Delay		Max	25	30	ns
$t_{EHQZ}$	$t_{DF}$	Chip Enable to Output High Z (Note 1)		Max	16		ns
$t_{GHQZ}$	$t_{DF}$	Output Enable to Output High Z (Note 1)		Max	16		ns
$t_{AXQX}$	$t_{OH}$	Output Hold Time From Addresses, CE# or OE#, Whichever Occurs First		Min	0		ns
	$t_{OEH}$	Output Enable Hold Time (Note 1)	Read	Min	0		ns
			Toggle and Data# Polling	Min	10		ns

**Notes:**

1. Not 100% tested.
2. See [Figure 11](#) and [Table 34](#) for test specifications.

## AC Characteristics

### Read-Only Operations-S29GL064M only

Parameter		Description	Test Setup		Speed Options			Unit
JEDEC	Std.				90	10	11	
$t_{AVAV}$	$t_{RC}$	Read Cycle Time (Note 1)		Min	90	100	110	ns
$t_{AVQV}$	$t_{ACC}$	Address to Output Delay	CE#, OE# = $V_{IL}$	Max	90	100	110	ns
$t_{ELQV}$	$t_{CE}$	Chip Enable to Output Delay	OE# = $V_{IL}$	Max	90	100	110	ns
	$t_{PACC}$	Page Access Time		Max	25	30	30	ns
$t_{GLQV}$	$t_{OE}$	Output Enable to Output Delay		Max	25	30	30	ns
$t_{EHQZ}$	$t_{DF}$	Chip Enable to Output High Z (Note 1)		Max	16			ns
$t_{GHQZ}$	$t_{DF}$	Output Enable to Output High Z (Note 1)		Max	16			ns
$t_{AXQX}$	$t_{OH}$	Output Hold Time From Addresses, CE# or OE#, Whichever Occurs First		Min	0			ns
	$t_{OEH}$	Output Enable Hold Time (Note 1)	Read	Min	0			ns
			Toggle and Data# Polling	Min	10			ns

**Notes:**

1. Not 100% tested.
2. See [Figure 11](#) and [Table 34](#) for test specifications.

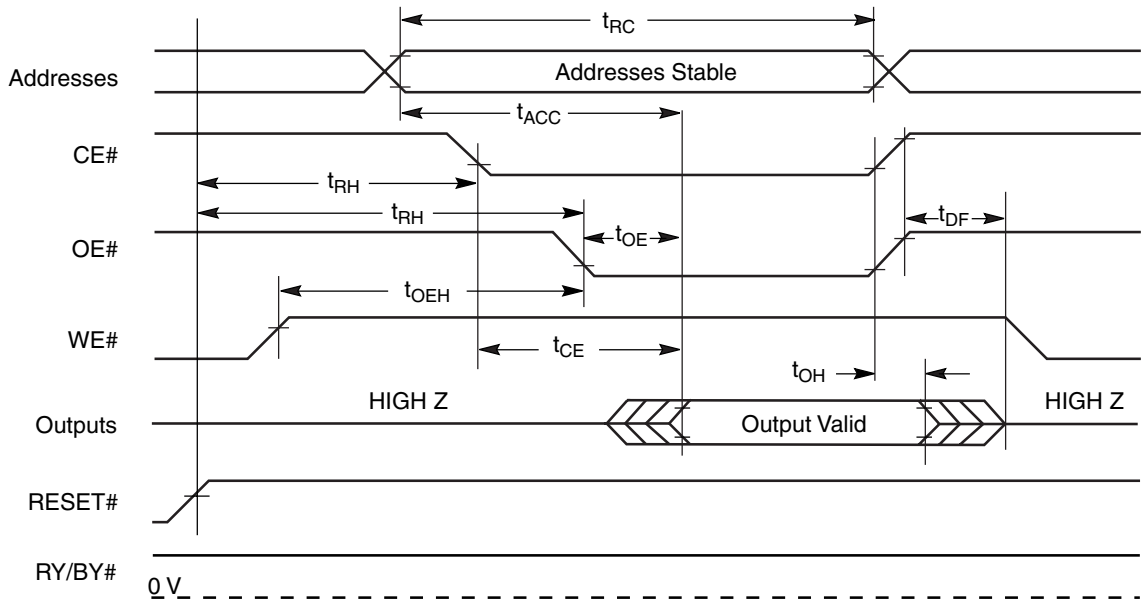
### Read-Only Operations-S29GL032M only

Parameter		Description	Test Setup		Speed Options			Unit
JEDEC	Std.				90	10	11	
$t_{AVAV}$	$t_{RC}$	Read Cycle Time (Note 1)		Min	90	100	110	ns
$t_{AVQV}$	$t_{ACC}$	Address to Output Delay	CE#, OE# = $V_{IL}$	Max	90	100	110	ns
$t_{ELQV}$	$t_{CE}$	Chip Enable to Output Delay	OE# = $V_{IL}$	Max	90	100	110	ns
	$t_{PACC}$	Page Access Time		Max	25	30	30	ns
$t_{GLQV}$	$t_{OE}$	Output Enable to Output Delay		Max	25	30	30	ns
$t_{EHQZ}$	$t_{DF}$	Chip Enable to Output High Z (Note 1)		Max	16			ns
$t_{GHQZ}$	$t_{DF}$	Output Enable to Output High Z (Note 1)		Max	16			ns
$t_{AXQX}$	$t_{OH}$	Output Hold Time From Addresses, CE# or OE#, Whichever Occurs First		Min	0			ns
	$t_{OEH}$	Output Enable Hold Time (Note 1)	Read	Min	0			ns
			Toggle and Data# Polling	Min	10			ns

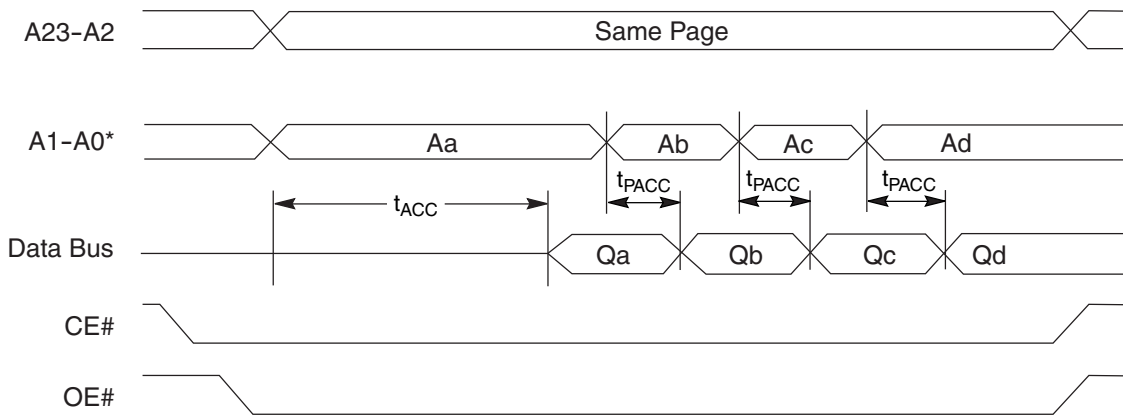
**Notes:**

1. Not 100% tested.
2. See [Figure 11](#) and [Table 34](#) for test specifications.

## AC Characteristics



**Figure I3. Read Operation Timings**



\* Figure shows device in word mode. Addresses are A1-A-1 for byte mode.

**Figure I4. Page Read Timings**

# AC Characteristics

## Hardware Reset (RESET#)

Parameter		Description		All Speed Options	Unit
JEDEC	Std.				
	$t_{Ready}$	RESET# Pin Low (During Embedded Algorithms) to Read Mode (See Note)	Max	20	$\mu$ s
	$t_{Ready}$	RESET# Pin Low (NOT During Embedded Algorithms) to Read Mode (See Note)	Max	500	ns
	$t_{RP}$	RESET# Pulse Width	Min	500	ns
	$t_{RH}$	Reset High Time Before Read (See Note)	Min	50	ns
	$t_{RPD}$	RESET# Input Low to Standby Mode (See Note)	Min	20	$\mu$ s
	$t_{RB}$	RY/BY# Output High to CE#, OE# pin Low	Min	0	ns

**Notes:**

1. Not 100% tested.

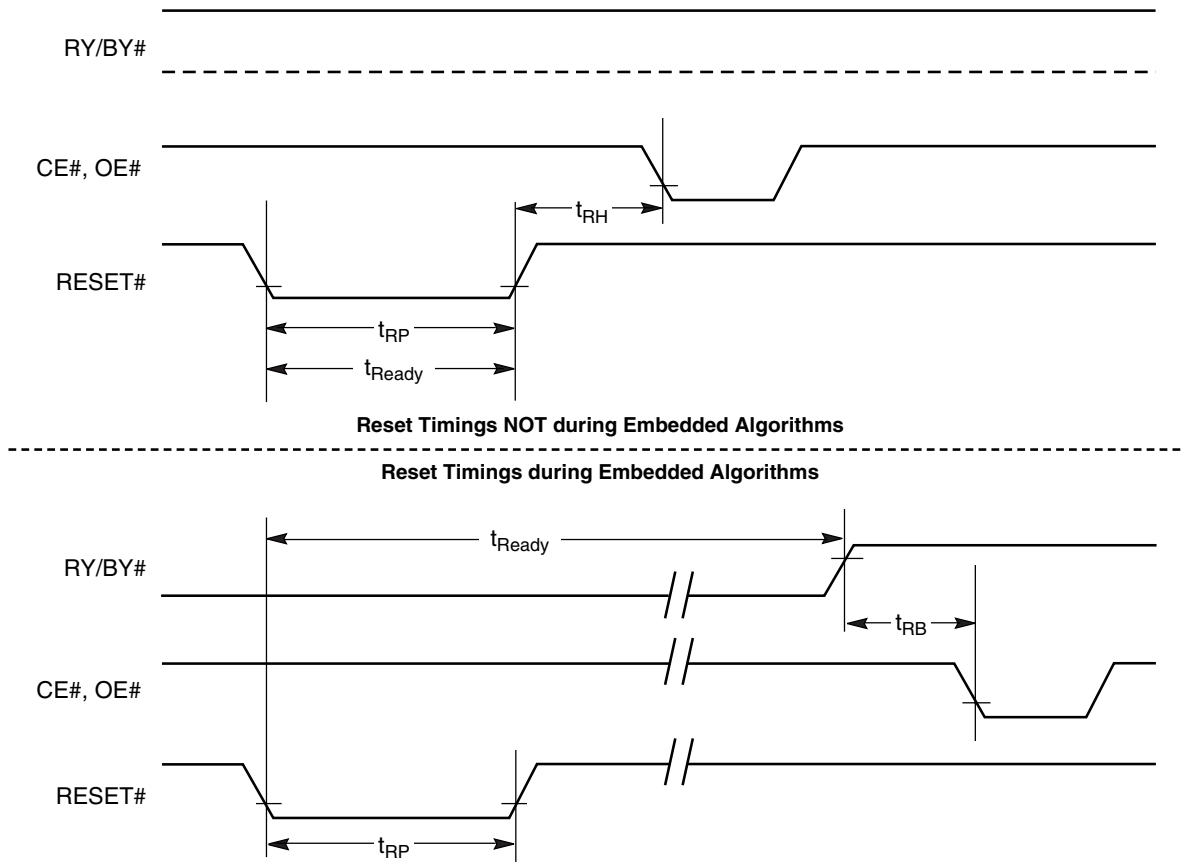


Figure I5. Reset Timings

## AC Characteristics

### Erase and Program Operations-S29GL256M only

Parameter		Description		Speed Options		Unit
JEDEC	Std.			10	11	
$t_{AVAV}$	$t_{WC}$	Write Cycle Time (Note 1)	Min	100	110	ns
$t_{AVWL}$	$t_{AS}$	Address Setup Time	Min	0		ns
	$t_{ASO}$	Address Setup Time to OE# low during toggle bit polling	Min	15		ns
$t_{WLAX}$	$t_{AH}$	Address Hold Time	Min	45		ns
	$t_{AHT}$	Address Hold Time From CE# or OE# high during toggle bit polling	Min	0		ns
$t_{DVWH}$	$t_{DS}$	Data Setup Time	Min	45		ns
$t_{WHDX}$	$t_{DH}$	Data Hold Time	Min	0		ns
	$t_{CEPH}$	CE# High during toggle bit polling	Min	20		ns
	$t_{OEPH}$	OE# High during toggle bit polling	Min	20		ns
$t_{GHWL}$	$t_{GHWL}$	Read Recovery Time Before Write (OE# High to WE# Low)	Min	0		ns
$t_{ELWL}$	$t_{CS}$	CE# Setup Time	Min	0		ns
$t_{WHEH}$	$t_{CH}$	CE# Hold Time	Min	0		ns
$t_{WLWH}$	$t_{WP}$	Write Pulse Width	Min	35		ns
$t_{WHDL}$	$t_{WPH}$	Write Pulse Width High	Min	30		ns
$t_{WHWH1}$	$t_{WHWH1}$	Write Buffer Program Operation (Notes 2, 3)	Typ	240		$\mu$ s
		Single Word Program Operation (Note 2)	Typ	60		
		Accelerated Single Word Program Operation (Note 2)	Typ	54		
$t_{WHWH2}$	$t_{WHWH2}$	Sector Erase Operation (Note 2)	Typ	0.5		sec
	$t_{VHH}$	$V_{HH}$ Rise and Fall Time (Note 1)	Min	250		ns
	$t_{VCS}$	$V_{CC}$ Setup Time (Note 1)	Min	50		$\mu$ s
	$t_{BUSY}$	WE# High to RY/BY# Low	Min	100	110	ns
	$t_{POLL}$	Program Valid before Status Polling	Max	4		$\mu$ s

**Notes:**

1. Not 100% tested.
2. See the "Erase and Programming Performance" section for more information.
3. For 1-16 words/1-32 bytes programmed.
4. If a program suspend command is issued within  $t_{POLL}$ , the device requires  $t_{POLL}$  before reading status data, once programming has resumed (that is, the program resume command has been written). If the suspend command was issued after  $t_{POLL}$ , status data is available immediately after programming has resumed. See Figure 17.



## AC Characteristics

### Erase and Program Operations-S29GL128M only

Parameter		Description		Speed Options		Unit
JEDEC	Std.			90	10	
$t_{AVAV}$	$t_{WC}$	Write Cycle Time (Note 1)	Min	90	100	ns
$t_{AVWL}$	$t_{AS}$	Address Setup Time	Min	0		ns
	$t_{ASO}$	Address Setup Time to OE# low during toggle bit polling	Min	15		ns
$t_{WLAX}$	$t_{AH}$	Address Hold Time	Min	45		ns
	$t_{AHT}$	Address Hold Time From CE# or OE# high during toggle bit polling	Min	0		ns
$t_{DVWH}$	$t_{DS}$	Data Setup Time	Min	45		ns
$t_{WHDX}$	$t_{DH}$	Data Hold Time	Min	0		ns
	$t_{CEPH}$	CE# High during toggle bit polling	Min	20		ns
	$t_{OEPH}$	OE# High during toggle bit polling	Min	20		ns
$t_{GHWL}$	$t_{GHWL}$	Read Recovery Time Before Write (OE# High to WE# Low)	Min	0		ns
$t_{ELWL}$	$t_{CS}$	CE# Setup Time	Min	0		ns
$t_{WHEH}$	$t_{CH}$	CE# Hold Time	Min	0		ns
$t_{WLWH}$	$t_{WP}$	Write Pulse Width	Min	35		ns
$t_{WHDL}$	$t_{WPH}$	Write Pulse Width High	Min	30		ns
$t_{WHWH1}$	$t_{WHWH1}$	Write Buffer Program Operation (Notes 2, 3)	Typ	240		$\mu$ s
		Single Word Program Operation (Note 2)	Typ	60		
		Accelerated Single Word Program Operation (Note 2)	Typ	54		
$t_{WHWH2}$	$t_{WHWH2}$	Sector Erase Operation (Note 2)	Typ	0.5		sec
	$t_{VHH}$	$V_{HH}$ Rise and Fall Time (Note 1)	Min	250		ns
	$t_{VCS}$	$V_{CC}$ Setup Time (Note 1)	Min	50		$\mu$ s
	$t_{BUSY}$	WE# High to RY/BY# Low	Min	90	100	ns
	$t_{POLL}$	Program Valid before Status Polling	Max	4		$\mu$ s

#### Notes:

1. Not 100% tested.
2. See the "Erase and Programming Performance" section for more information.
3. For 1-16 words/1-32 bytes programmed.
4. If a program suspend command is issued within  $t_{POLL}$ , the device requires  $t_{POLL}$  before reading status data, once programming has resumed (that is, the program resume command has been written). If the suspend command was issued after  $t_{POLL}$ , status data is available immediately after programming has resumed. See Figure 17.

## AC Characteristics

### Erase and Program Operations-S29GL064M only

Parameter		Description		Speed Options			Unit
JEDEC	Std.			90	10	11	
$t_{AVAV}$	$t_{WC}$	Write Cycle Time (Note 1)	Min	90	100	110	ns
$t_{AVWL}$	$t_{AS}$	Address Setup Time	Min	0			ns
	$t_{ASO}$	Address Setup Time to OE# low during toggle bit polling	Min	15			ns
$t_{WLAX}$	$t_{AH}$	Address Hold Time	Min	45			ns
	$t_{AHT}$	Address Hold Time From CE# or OE# high during toggle bit polling	Min	0			ns
$t_{DVWH}$	$t_{DS}$	Data Setup Time	Min	35			ns
$t_{WHDX}$	$t_{DH}$	Data Hold Time	Min	0			ns
	$t_{CEPH}$	CE# High during toggle bit polling	Min	20			ns
	$t_{OEPH}$	OE# High during toggle bit polling	Min	20			ns
$t_{GHWL}$	$t_{GHWL}$	Read Recovery Time Before Write (OE# High to WE# Low)	Min	0			ns
$t_{ELWL}$	$t_{CS}$	CE# Setup Time	Min	0			ns
$t_{WHEH}$	$t_{CH}$	CE# Hold Time	Min	0			ns
$t_{WLWH}$	$t_{WP}$	Write Pulse Width	Min	35			ns
$t_{WHDL}$	$t_{WPH}$	Write Pulse Width High	Min	30			ns
$t_{WHWH1}$	$t_{WHWH1}$	Write Buffer Program Operation (Notes 2, 3)	Typ	240			$\mu$ s
		Single Word Program Operation (Note 2)	Typ	60			
		Accelerated Single Word Program Operation (Note 2)	Typ	54			
$t_{WHWH2}$	$t_{WHWH2}$	Sector Erase Operation (Note 2)	Typ	0.5			sec
	$t_{VHH}$	$V_{HH}$ Rise and Fall Time (Note 1)	Min	250			ns
	$t_{VCS}$	$V_{CC}$ Setup Time (Note 1)	Min	50			$\mu$ s
	$t_{BUSY}$	WE# High to RY/BY# Low	Min	90	100	110	ns
	$t_{POLL}$	Program Valid before Status Polling	Max	4			$\mu$ s

**Notes:**

1. Not 100% tested.
2. See the "Erase and Programming Performance" section for more information.
3. For 1-16 words/1-32 bytes programmed.
4. If a program suspend command is issued within  $t_{POLL}$ , the device requires  $t_{POLL}$  before reading status data, once programming has resumed (that is, the program resume command has been written). If the suspend command was issued after  $t_{POLL}$ , status data is available immediately after programming has resumed. See Figure 17.

## AC Characteristics

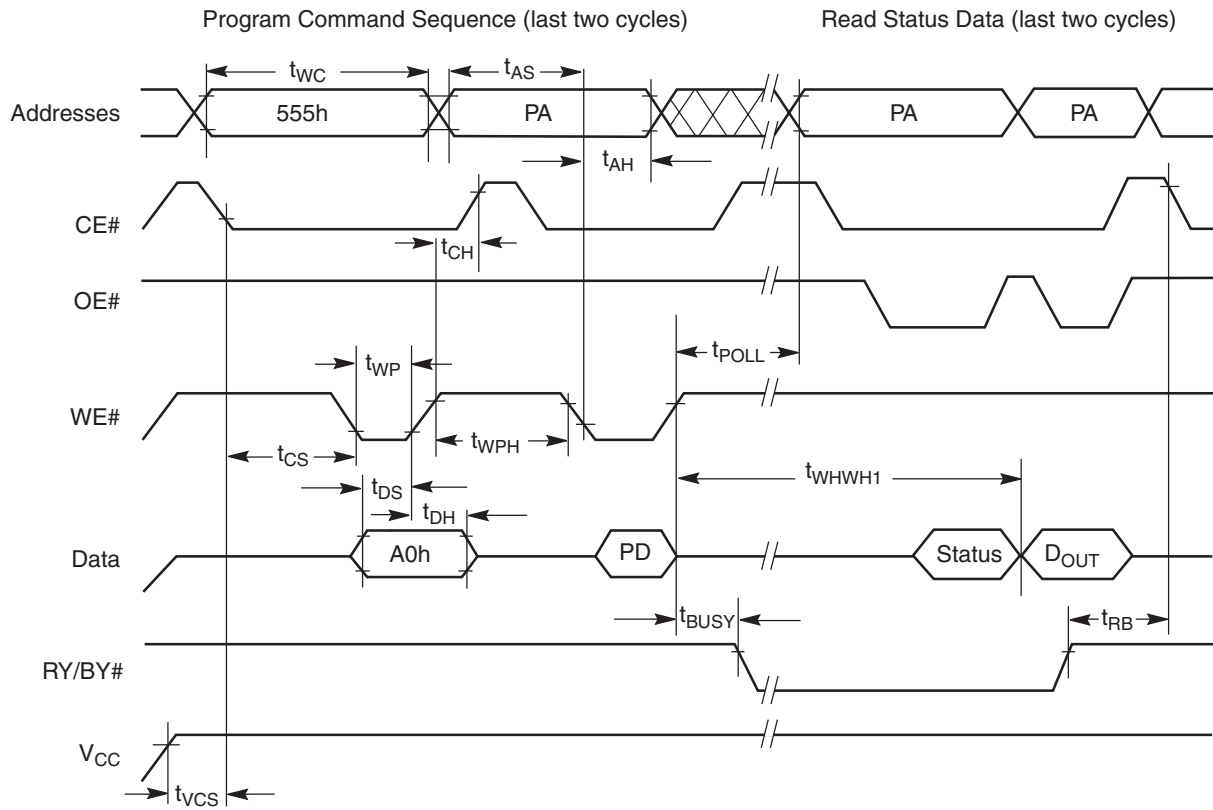
### Erase and Program Operations-S29GL032M only

Parameter		Description		Speed Options			Unit
JEDEC	Std.			90	10	11	
$t_{AVAV}$	$t_{WC}$	Write Cycle Time (Note 1)	Min	90	100	110	ns
$t_{AVWL}$	$t_{AS}$	Address Setup Time	Min	0			ns
	$t_{ASO}$	Address Setup Time to OE# low during toggle bit polling	Min	15			ns
$t_{WLAX}$	$t_{AH}$	Address Hold Time	Min	45			ns
	$t_{AHT}$	Address Hold Time From CE# or OE# high during toggle bit polling	Min	0			ns
$t_{DVWH}$	$t_{DS}$	Data Setup Time	Min	35			ns
$t_{WHDX}$	$t_{DH}$	Data Hold Time	Min	0			ns
	$t_{CEPH}$	CE# High during toggle bit polling	Min	20			ns
	$t_{OEPH}$	OE# High during toggle bit polling	Min	20			ns
$t_{GHWL}$	$t_{GHWL}$	Read Recovery Time Before Write (OE# High to WE# Low)	Min	0			ns
$t_{ELWL}$	$t_{CS}$	CE# Setup Time	Min	0			ns
$t_{WHEH}$	$t_{CH}$	CE# Hold Time	Min	0			ns
$t_{WLWH}$	$t_{WP}$	Write Pulse Width	Min	35			ns
$t_{WHDL}$	$t_{WPH}$	Write Pulse Width High	Min	30			ns
$t_{WHWH1}$	$t_{WHWH1}$	Write Buffer Program Operation (Notes 2, 3)	Typ	240			$\mu$ s
		Single Word Program Operation (Note 2)	Typ	60			
		Accelerated Single Word Program Operation (Note 2)	Typ	54			
$t_{WHWH2}$	$t_{WHWH2}$	Sector Erase Operation (Note 2)	Typ	0.5			sec
	$t_{VHH}$	$V_{HH}$ Rise and Fall Time (Note 1)	Min	250			ns
	$t_{VCS}$	$V_{CC}$ Setup Time (Note 1)	Min	50			$\mu$ s
	$t_{BUSY}$	WE# High to RY/BY# Low	Min	90	100	110	ns
	$t_{POLL}$	Program Valid before Status Polling	Max	4			$\mu$ s

#### Notes:

1. Not 100% tested.
2. See the "Erase and Programming Performance" section for more information.
3. For 1-16 words/1-32 bytes programmed.
4. Effective write buffer specification is based upon a 16-word/32-byte write buffer operation.
5. If a program suspend command is issued within  $t_{POLL}$ , the device requires  $t_{POLL}$  before reading status data, once programming has resumed (that is, the program resume command has been written). If the suspend command was issued after  $t_{POLL}$ , status data is available immediately after programming has resumed. See Figure 17.

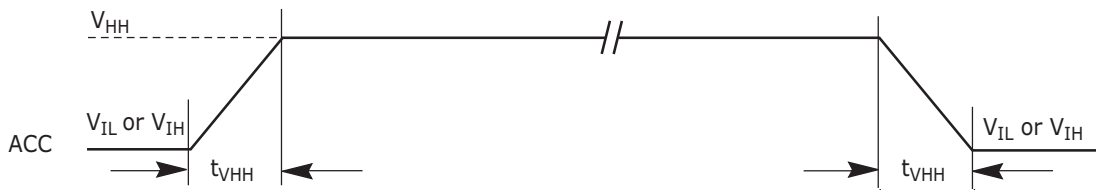
# AC Characteristics



**Notes:**

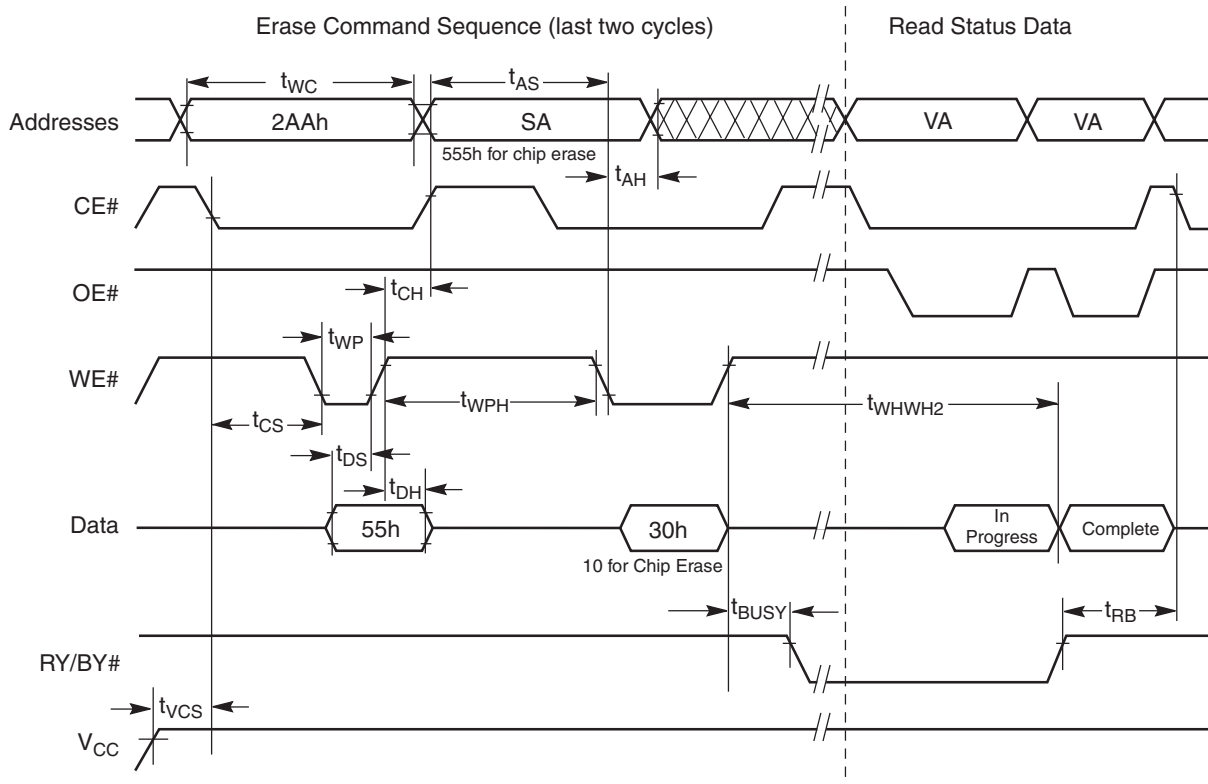
1. PA = program address, PD = program data,  $D_{OUT}$  is the true data at the program address.
2. Illustration shows device in word mode.

**Figure 16. Program Operation Timings**



**Figure 17. Accelerated Program Timing Diagram**

## AC Characteristics

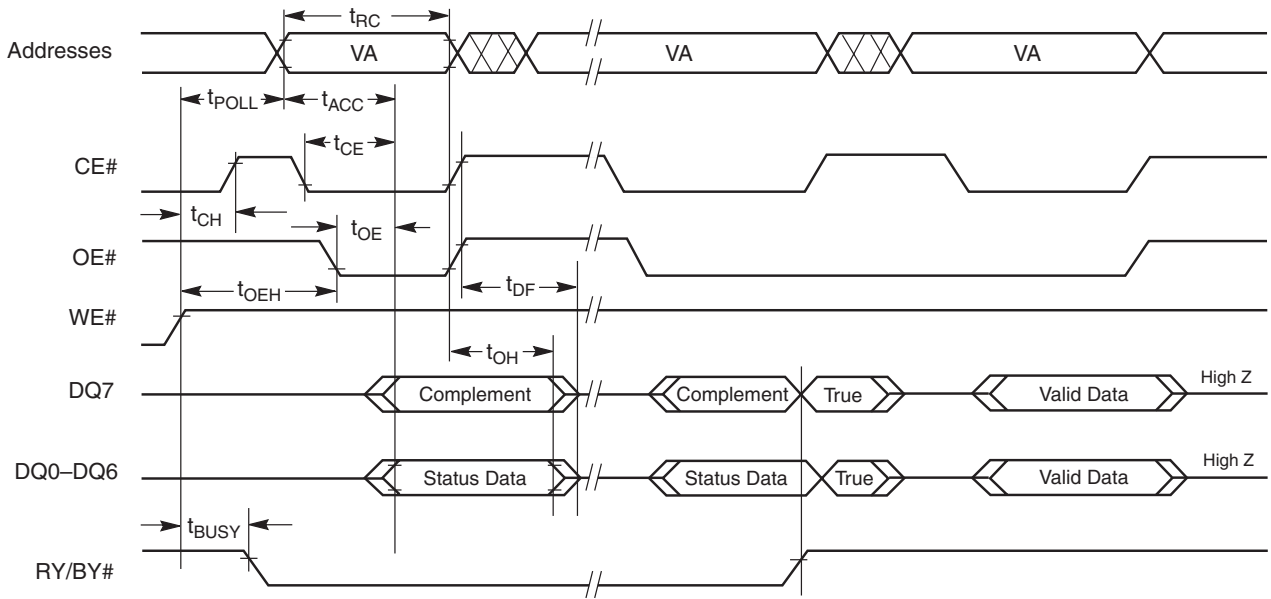


**Notes:**

1. SA = sector address (for Sector Erase), VA = Valid Address for reading status data (see "Write Operation Status".)
2. Illustration shows device in word mode.

**Figure I8. Chip/Sector Erase Operation Timings**

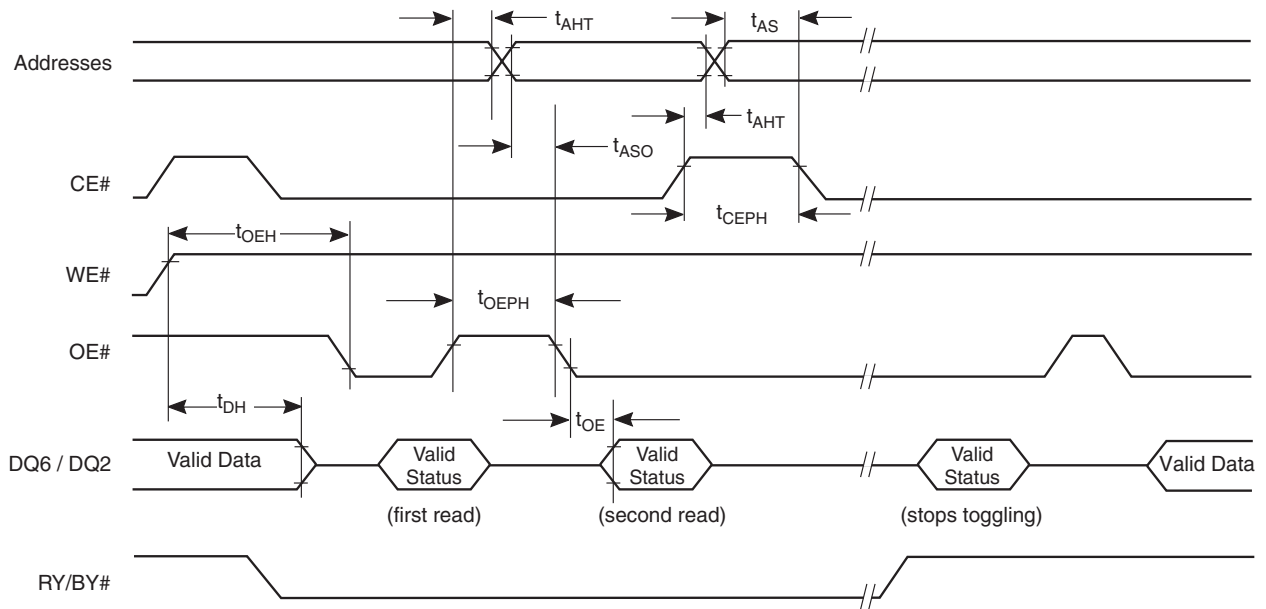
## AC Characteristics



**Note:** VA = Valid address. Illustration shows first status cycle after command sequence, last status read cycle, and array data read cycle.

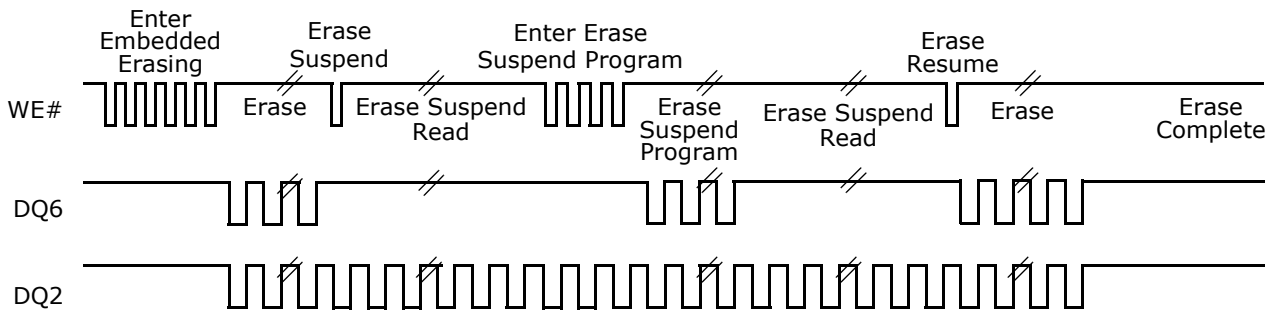
**Figure 19. Data# Polling Timings (During Embedded Algorithms)**

## AC Characteristics



**Note:** VA = Valid address; not required for DQ6. Illustration shows first two status cycle after command sequence, last status read cycle, and array data read cycle.

**Figure 20. Toggle Bit Timings (During Embedded Algorithms)**



**Note:** DQ2 toggles only when read at an address within an erase-suspended sector. The system may use OE# or CE# to toggle DQ2 and DQ6.

**Figure 21. DQ2 vs. DQ6**

# AC Characteristics

## Temporary Sector Unprotect

Parameter		Description		All Speed Options	Unit
JEDEC	Std				
	$t_{VIDR}$	$V_{ID}$ Rise and Fall Time (See Note)	Min	500	ns
	$t_{RSP}$	RESET# Setup Time for Temporary Sector Unprotect	Min	4	$\mu$ s

**Notes:**

1. Not 100% tested.

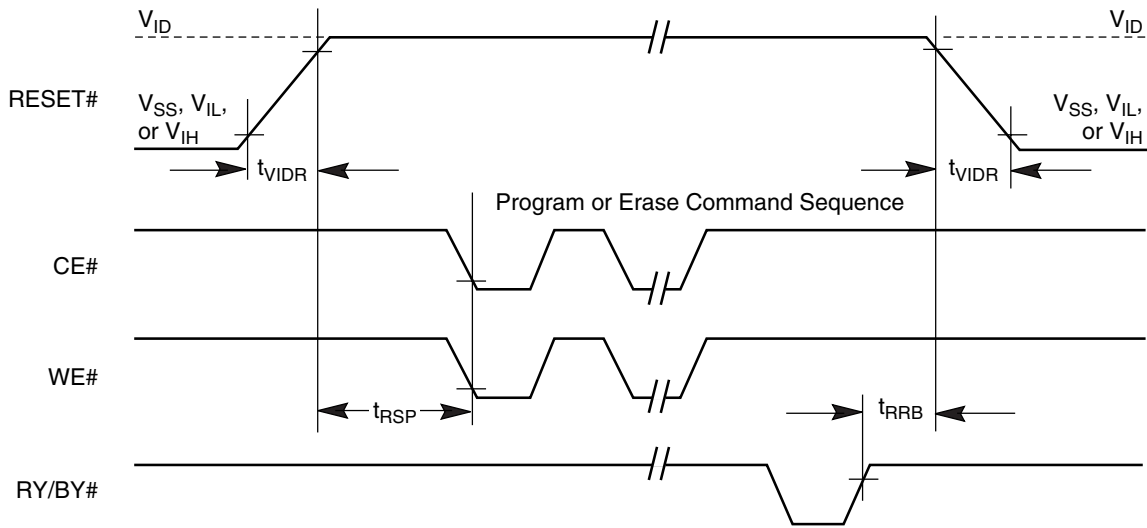
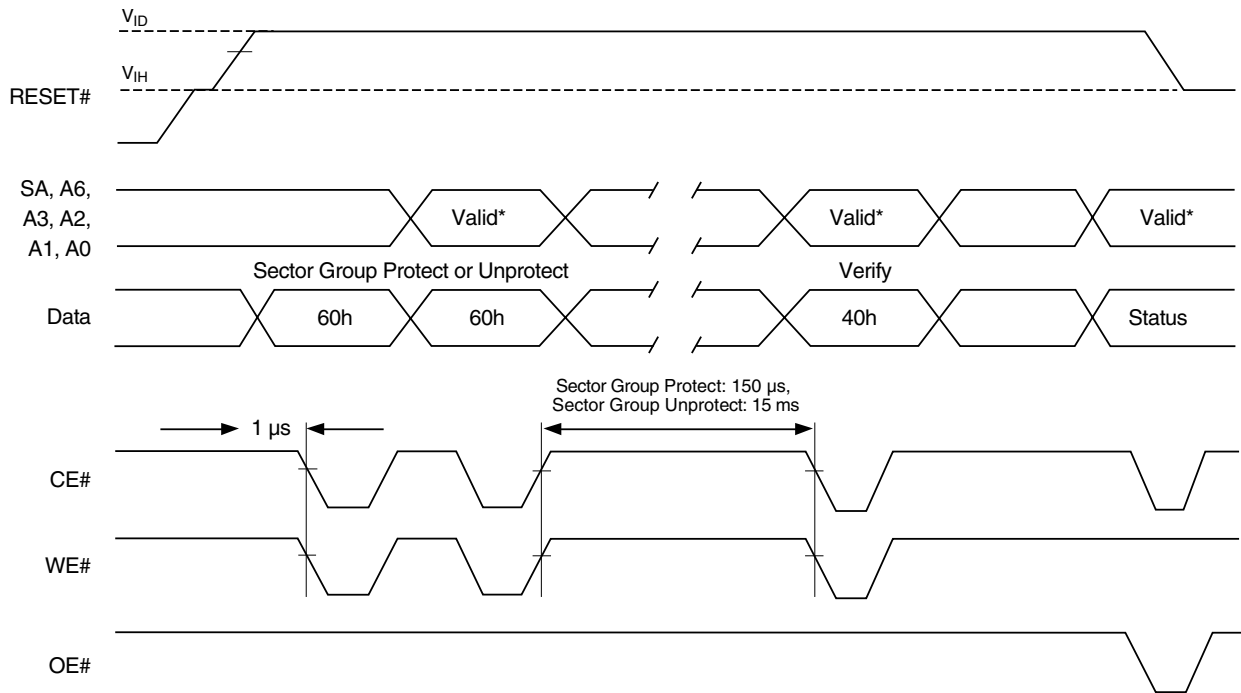


Figure 22. Temporary Sector Group Unprotect Timing Diagram



## AC Characteristics



**Note:** For sector group protect, A6:A0 = 0xx0010. For sector group unprotect, A6:A0 = 1xx0010.

**Figure 23. Sector Group Protect and Unprotect Timing Diagram**

## AC Characteristics

### Alternate CE# Controlled Erase and Program Operations-S29GL256M

Parameter		Description		Speed Options		Unit
JEDEC	Std.			10	11	
t <sub>AVAV</sub>	t <sub>WC</sub>	Write Cycle Time (Note 1)	Min	100	110	ns
t <sub>AVWL</sub>	t <sub>AS</sub>	Address Setup Time	Min	0		ns
t <sub>ELAX</sub>	t <sub>AH</sub>	Address Hold Time	Min	45		ns
t <sub>DVEH</sub>	t <sub>DS</sub>	Data Setup Time	Min	45		ns
t <sub>EHDX</sub>	t <sub>DH</sub>	Data Hold Time	Min	0		ns
t <sub>GHEL</sub>	t <sub>GHEL</sub>	Read Recovery Time Before Write (OE# High to WE# Low)	Min	0		ns
t <sub>WLEL</sub>	t <sub>WS</sub>	WE# Setup Time	Min	0		ns
t <sub>EHWH</sub>	t <sub>WH</sub>	WE# Hold Time	Min	0		ns
t <sub>ELEH</sub>	t <sub>CP</sub>	CE# Pulse Width	Min	35		ns
t <sub>EHEL</sub>	t <sub>CPH</sub>	CE# Pulse Width High	Min	25		ns
t <sub>WHWH1</sub>	t <sub>WHWH1</sub>	Write Buffer Program Operation (Notes 2, 3)	Typ	240		μs
		Single Word Program Operation (Note 2)	Typ	60		
		Accelerated Single Word Program Operation (Note 2)	Typ	54		
t <sub>WHWH2</sub>	t <sub>WHWH2</sub>	Sector Erase Operation (Note 2)	Typ	0.5		sec
	t <sub>RH</sub>	RESET# High Time Before Write	Min	50		ns
	t <sub>POLL</sub>	Program Valid before Status Polling	Max	4		μs

**Notes:**

1. Not 100% tested.
2. See the "Erase and Programming Performance" section for more information.
3. For 1–16 words/1–32 bytes programmed.
4. If a program suspend command is issued within t<sub>POLL</sub>, the device requires t<sub>POLL</sub> before reading status data, once programming has resumed (that is, the program resume command has been written). If the suspend command was issued after t<sub>POLL</sub>, status data is available immediately after programming has resumed. See Figure 23.

## AC Characteristics

### Alternate CE# Controlled Erase and Program Operations-S29GL128M

Parameter		Description		Speed Options		Unit
JEDEC	Std.			10	11	
$t_{AVAV}$	$t_{WC}$			Write Cycle Time (Note 1)	Min	
$t_{AVWL}$	$t_{AS}$	Address Setup Time	Min	0		ns
$t_{ELAX}$	$t_{AH}$	Address Hold Time	Min	45		ns
$t_{DVEH}$	$t_{DS}$	Data Setup Time	Min	45		ns
$t_{EHDX}$	$t_{DH}$	Data Hold Time	Min	0		ns
$t_{GHLEL}$	$t_{GHLEL}$	Read Recovery Time Before Write (OE# High to WE# Low)	Min	0		ns
$t_{WLEL}$	$t_{WS}$	WE# Setup Time	Min	0		ns
$t_{EHWH}$	$t_{WH}$	WE# Hold Time	Min	0		ns
$t_{ELEH}$	$t_{CP}$	CE# Pulse Width	Min	35		ns
$t_{EHEL}$	$t_{CPH}$	CE# Pulse Width High	Min	25		ns
$t_{WHWH1}$	$t_{WHWH1}$	Write Buffer Program Operation (Notes 2, 3)	Typ	240		$\mu$ s
		Single Word Program Operation (Note 2)	Typ	60		
		Accelerated Single Word Program Operation (Note 2)	Typ	54		
$t_{WHWH2}$	$t_{WHWH2}$	Sector Erase Operation (Note 2)	Typ	0.5		sec
	$t_{RH}$	RESET# High Time Before Write	Min	50		ns
	$t_{POLL}$	Program Valid before Status Polling (Note 4)	Max	4		$\mu$ s

#### Notes:

1. Not 100% tested.
2. See the "Erase and Programming Performance" section for more information.
3. For 1-16 words/1-32 bytes programmed.
4. If a program suspend command is issued within  $t_{POLL}$ , the device requires  $t_{POLL}$  before reading status data, once programming has resumed (that is, the program resume command has been written). If the suspend command was issued after  $t_{POLL}$ , status data is available immediately after programming has resumed. See Figure 23.

## AC Characteristics

### Alternate CE# Controlled Erase and Program Operations-S29GL064M

Parameter		Description		Speed Options			Unit
JEDEC	Std.			90	10	11	
$t_{AVAV}$	$t_{WC}$			Write Cycle Time (Note 1)	Min	90	
$t_{AVWL}$	$t_{AS}$	Address Setup Time	Min	0			ns
$t_{ELAX}$	$t_{AH}$	Address Hold Time	Min	45			ns
$t_{DVEH}$	$t_{DS}$	Data Setup Time	Min	35			ns
$t_{EHDX}$	$t_{DH}$	Data Hold Time	Min	0			ns
$t_{GHLEL}$	$t_{GHLEL}$	Read Recovery Time Before Write (OE# High to WE# Low)	Min	0			ns
$t_{WLEL}$	$t_{WS}$	WE# Setup Time	Min	0			ns
$t_{EHWH}$	$t_{WH}$	WE# Hold Time	Min	0			ns
$t_{ELEH}$	$t_{CP}$	CE# Pulse Width	Min	35			ns
$t_{EHEL}$	$t_{CPH}$	CE# Pulse Width High	Min	25			ns
$t_{WHWH1}$	$t_{WHWH1}$	Write Buffer Program Operation (Notes 2, 3)	Typ	240			$\mu$ s
		Single Word Program Operation (Note 2)	Typ	60			
		Accelerated Single Word Program Operation (Note 2)	Typ	54			
$t_{WHWH2}$	$t_{WHWH2}$	Sector Erase Operation (Note 2)	Typ	0.5			sec
	$t_{RH}$	RESET# High Time Before Write	Min	50			ns
	$t_{POLL}$	Program Valid before Status Polling (Note 5)	Max	4			$\mu$ s

**Notes:**

1. Not 100% tested.
2. See the "Erase and Programming Performance" section for more information.
3. For 1-16 words/1-32 bytes programmed.
4. If a program suspend command is issued within  $t_{POLL}$ , the device requires  $t_{POLL}$  before reading status data, once programming has resumed (that is, the program resume command has been written). If the suspend command was issued after  $t_{POLL}$ , status data is available immediately after programming has resumed. See Figure 23.

## AC Characteristics

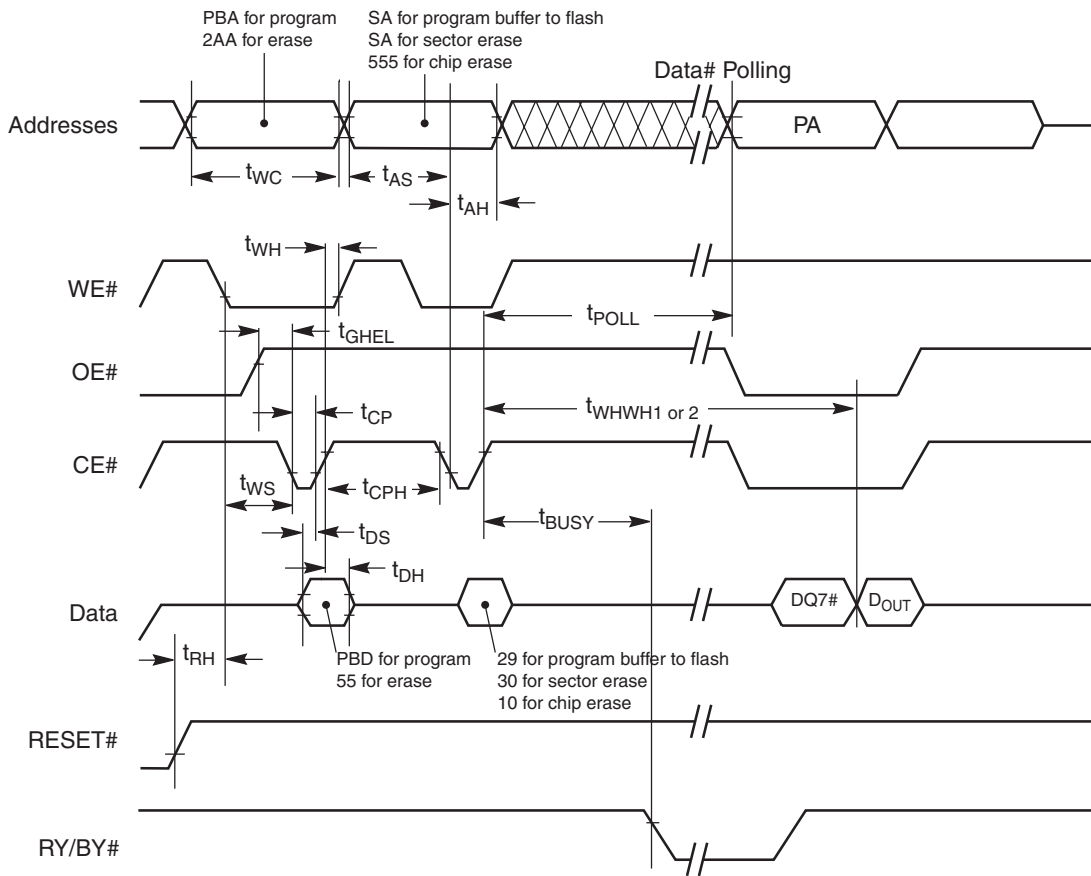
### Alternate CE# Controlled Erase and Program Operations-S29GL032M

Parameter		Description		Speed Options			Unit
JEDEC	Std.			90	10	11	
$t_{AVAV}$	$t_{WC}$	Write Cycle Time (Note 1)	Min	90	100	110	ns
$t_{AVWL}$	$t_{AS}$	Address Setup Time	Min	0			ns
$t_{ELAX}$	$t_{AH}$	Address Hold Time	Min	45			ns
$t_{DVEH}$	$t_{DS}$	Data Setup Time	Min	35			ns
$t_{EHDX}$	$t_{DH}$	Data Hold Time	Min	0			ns
$t_{GHLEL}$	$t_{GHLEL}$	Read Recovery Time Before Write (OE# High to WE# Low)	Min	0			ns
$t_{WLEL}$	$t_{WS}$	WE# Setup Time	Min	0			ns
$t_{EHWH}$	$t_{WH}$	WE# Hold Time	Min	0			ns
$t_{ELEH}$	$t_{CP}$	CE# Pulse Width	Min	35			ns
$t_{EHEL}$	$t_{CPH}$	CE# Pulse Width High	Min	25			ns
$t_{WHWH1}$	$t_{WHWH1}$	Write Buffer Program Operation (Notes 2, 3)	Typ	240			$\mu$ s
		Single Word Program Operation (Note 2)	Typ	60			
		Accelerated Single Word Program Operation (Note 2)	Typ	54			
$t_{WHWH2}$	$t_{WHWH2}$	Sector Erase Operation (Note 2)	Typ	0.5			sec
	$t_{RH}$	RESET# High Time Before Write	Min	50			ns
	$t_{POLL}$	Program Valid before Status Polling (Note 4)	Max	4			$\mu$ s

#### Notes:

1. Not 100% tested.
2. See the "Erase and Programming Performance" section for more information.
3. For 1-16 words/1-32 bytes programmed.
4. If a program suspend command is issued within  $t_{POLL}$ , the device requires  $t_{POLL}$  before reading status data, once programming has resumed (that is, the program resume command has been written). If the suspend command was issued after  $t_{POLL}$ , status data is available immediately after programming has resumed. See Figure 23.

### AC Characteristics



**Notes:**

1. Figure indicates last two bus cycles of a program or erase operation.
2. PA = program address, SA = sector address, PD = program data.
3. DQ7# is the complement of the data written to the device.  $D_{OUT}$  is the data written to the device.
4. Illustration shows device in word mode.

**Figure 24. Alternate CE# Controlled Write (Erase/Program) Operation Timings**

## Erase And Programming Performance

Parameter		Typ (Note 1)	Max (Note 2)	Unit	Comments
Sector Erase Time		0.5	3.5	sec	Excludes 00h programming prior to erasure Note (6)
Chip Erase Time	S29GL032M	32	64	sec	
	S29GL064M	64	128		
	S29GL128M	128	256		
	S29GL256M	256	512		
Total Write Buffer Program Time Notes (3), (5)		240		μs	Excludes system level overhead Note (7)
Total Accelerated Effective Write Buffer Program Time Notes (4), (5)		200		μs	
Chip Program Time	S29GL032M	31.5		sec	
	S29GL064M	63			
	S29GL128M	126			
	S29GL256M	252			

### Notes:

1. Typical program and erase times assume the following conditions: 25°C,  $V_{CC} = 3.0V$ , 10,000 cycles; checkerboard data pattern.
2. Under worst case conditions of 90°C; Worst case  $V_{CC}$  100,000 cycles.
3. Effective programming time (typ) is 15 μs (per word), 7.5 μs (per byte).
4. Effective accelerated programming time (typ) is 12.5 μs (per word), 6.3 μs (per byte).
5. Effective write buffer specification is calculated on a per-word/per-byte basis for a 16-word/32-byte write buffer operation.
6. In the pre-programming step of the Embedded Erase algorithm, all bits are programmed to 00h before erasure.
7. System-level overhead is the time required to execute the command sequence(s) for the program command. See Tables 31 and 32 for further information on command definitions.

## TSOP Pin and BGA Package Capacitance

For package types TA, TF, BA, BF, FA, FF (refer to Ordering Information Pages):

Parameter Symbol	Parameter Description	Test Setup		Typ	Max	Unit
$C_{IN}$	Input Capacitance	$V_{IN} = 0$	TSOP	6	7.5	pF
			BGA	4.2	5.0	pF
$C_{OUT}$	Output Capacitance	$V_{OUT} = 0$	TSOP	8.5	12	pF
			BGA	5.4	6.5	pF
$C_{IN2}$	Control Pin Capacitance	$V_{IN} = 0$	TSOP	7.5	9	pF
			BGA	3.9	4.7	pF

For package types TB, TC, BB, BC, (refer to Ordering Information Pages):

Parameter Symbol	Parameter Description	Test Setup		Typ	Max	Unit
$C_{IN}$	Input Capacitance	$V_{IN} = 0$	TSOP	8	10	pF
			BGA	8	10	pF
$C_{OUT}$	Output Capacitance	$V_{OUT} = 0$	TSOP	8.5	12	pF
			BGA	8.5	12	pF
$C_{IN2}$	Control Pin Capacitance	$V_{IN} = 0$	TSOP	8	10	pF
			BGA	8	10	pF
$C_{IN3}$	RESET# and WP#/ACC Pin Capacitance	$V_{IN} = 0$	TSOP	20	25	pF
			BGA	15	20	pF

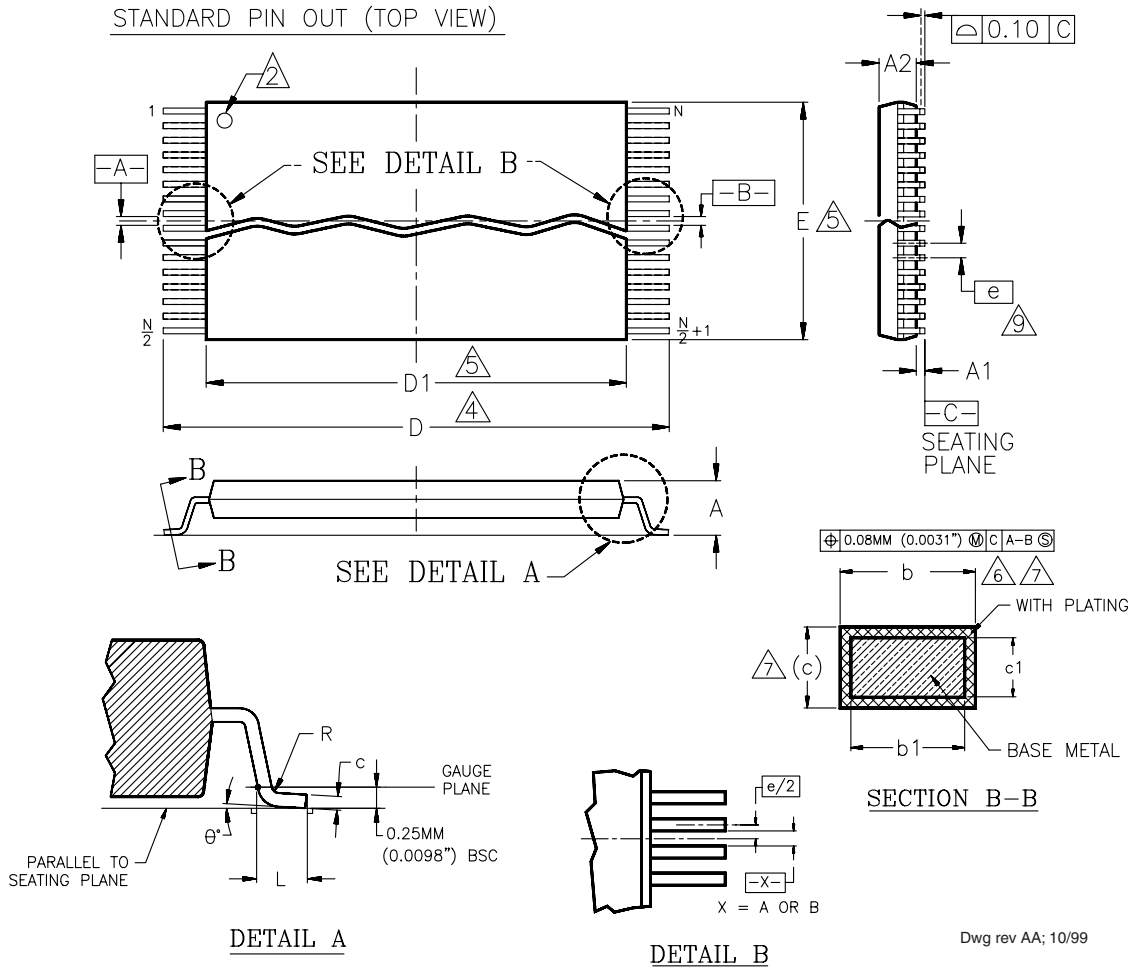
**Notes:**

1. Sampled, not 100% tested.
2. Test conditions  $T_A = 25^\circ\text{C}$ ,  $f = 1.0\text{ MHz}$ .



# Physical Dimensions

## TS040—40-Pin Standard Thin Small Outline Package



Package	TS 40		
Jedec	MO-142 (B) CD		
Symbol	MIN	NOM	MAX
A	—	—	1.20
A1	0.05	—	0.15
A2	0.95	1.00	1.05
b1	0.17	0.20	0.23
b	0.17	0.22	0.27
c1	0.10	—	0.16
c	0.10	—	0.21
D	19.80	20.00	20.20
D1	18.30	18.40	18.50
E	9.90	10.00	10.10
e	0.50 BASIC		
L	0.50	0.60	0.70
θ	0°	3°	5°
R	0.08	—	0.20
N	40		

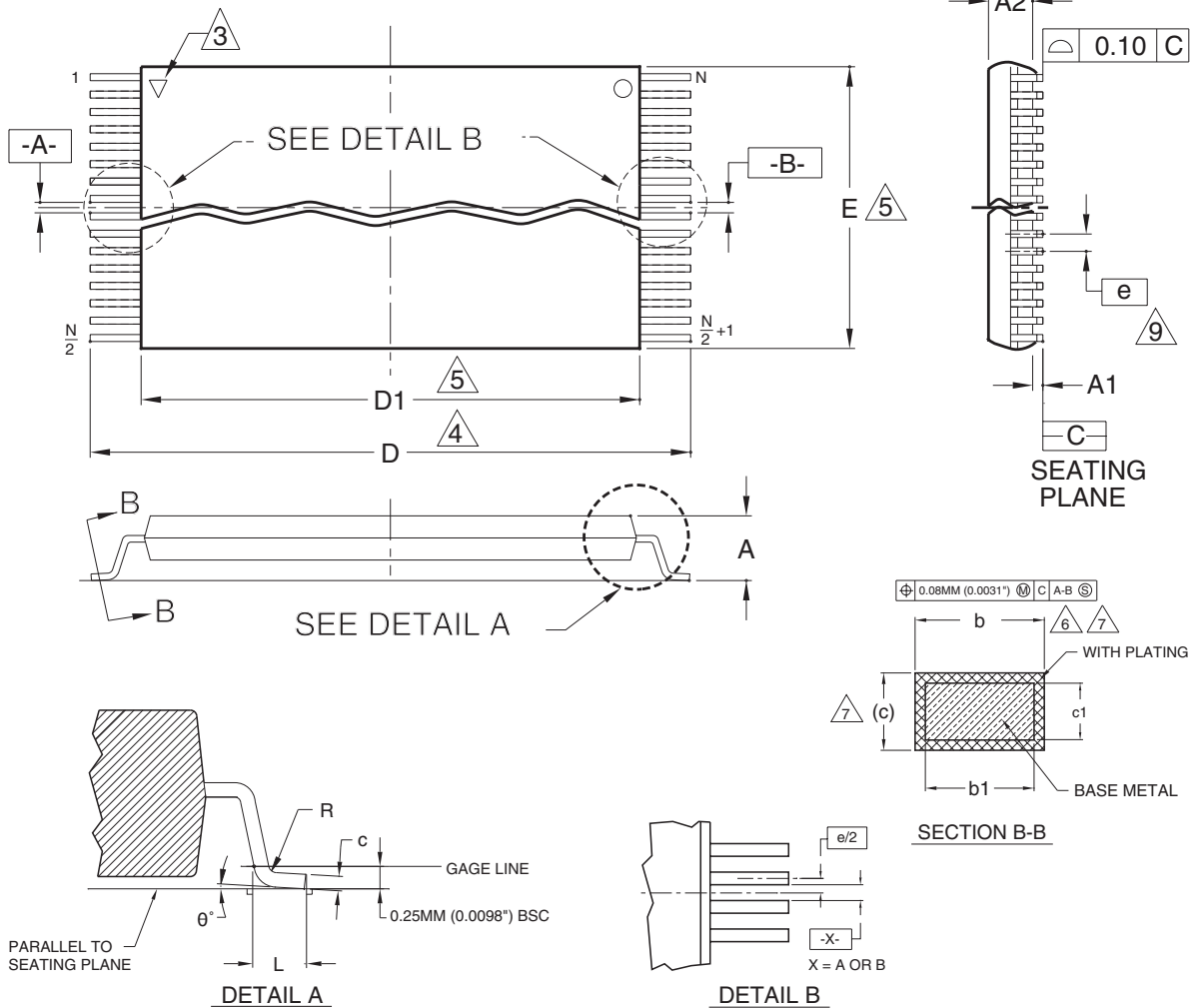
NOTES:

1. CONTROLLING DIMENSIONS ARE IN MILLIMETERS (mm). (DIMENSIONING AND TOLERANCING CONFORMS TO ANSI Y14.5M-1982)
2. PIN 1 IDENTIFIER FOR STANDARD PIN OUT (DIE UP).
3. PIN 1 IDENTIFIER FOR REVERSE PIN OUT (DIE DOWN); INK OR LASER MARK.
4. TO BE DETERMINED AT THE SEATING PLANE [C-C]. THE SEATING PLANE IS DEFINED AS THE PLANE OF CONTACT THAT IS MADE WHEN THE PACKAGE LEADS ARE ALLOWED TO REST FREELY ON A FLAT HORIZONTAL SURFACE.
5. DIMENSIONS D1 AND E DO NOT INCLUDE MOLD PROTRUSION. ALLOWABLE MOLD PROTRUSION IS 0.15mm (0.0059") PER SIDE.
6. DIMENSION b DOES NOT INCLUDE DAMBAR PROTRUSION. ALLOWABLE DAMBAR PROTRUSION SHALL BE 0.08mm (0.0031") TOTAL IN EXCESS OF b DIMENSION AT MAX. MATERIAL CONDITION. MINIMUM SPACE BETWEEN PROTRUSION AND AN ADJACENT LEAD TO BE 0.07mm (0.0028").
7. THESE DIMENSIONS APPLY TO THE FLAT SECTION OF THE LEAD BETWEEN 0.10mm (0.0039") AND 0.25mm (0.0098") FROM THE LEAD TIP.
8. LEAD COPLANARITY SHALL BE WITHIN 0.10mm (0.004") AS MEASURED FROM THE SEATING PLANE.
9. DIMENSION "e" IS MEASURED AT THE CENTERLINE OF THE LEADS.

# Physical Dimensions

## TSR040—40-Pin Standard/Reverse Thin Small Outline Package (TSOP)

### REVERSE PIN OUT (TOP VIEW)



Package	TSR 040		
	Jedec	MO-142 (B) EC	
Symbol	MIN	NOM	MAX
A	—	—	1.20
A1	0.05	—	0.15
A2	0.95	1.00	1.05
b1	0.17	0.20	0.23
b	0.17	0.22	0.27
c1	0.10	—	0.16
c	0.10	—	0.21
D	19.80	20.00	20.20
D1	18.30	18.40	18.50
E	9.90	10.00	10.10
e	0.50 BASIC		
L	0.50	0.60	0.70
θ	0°	3°	5°
R	0.08	—	0.20
N	40		

NOTES:

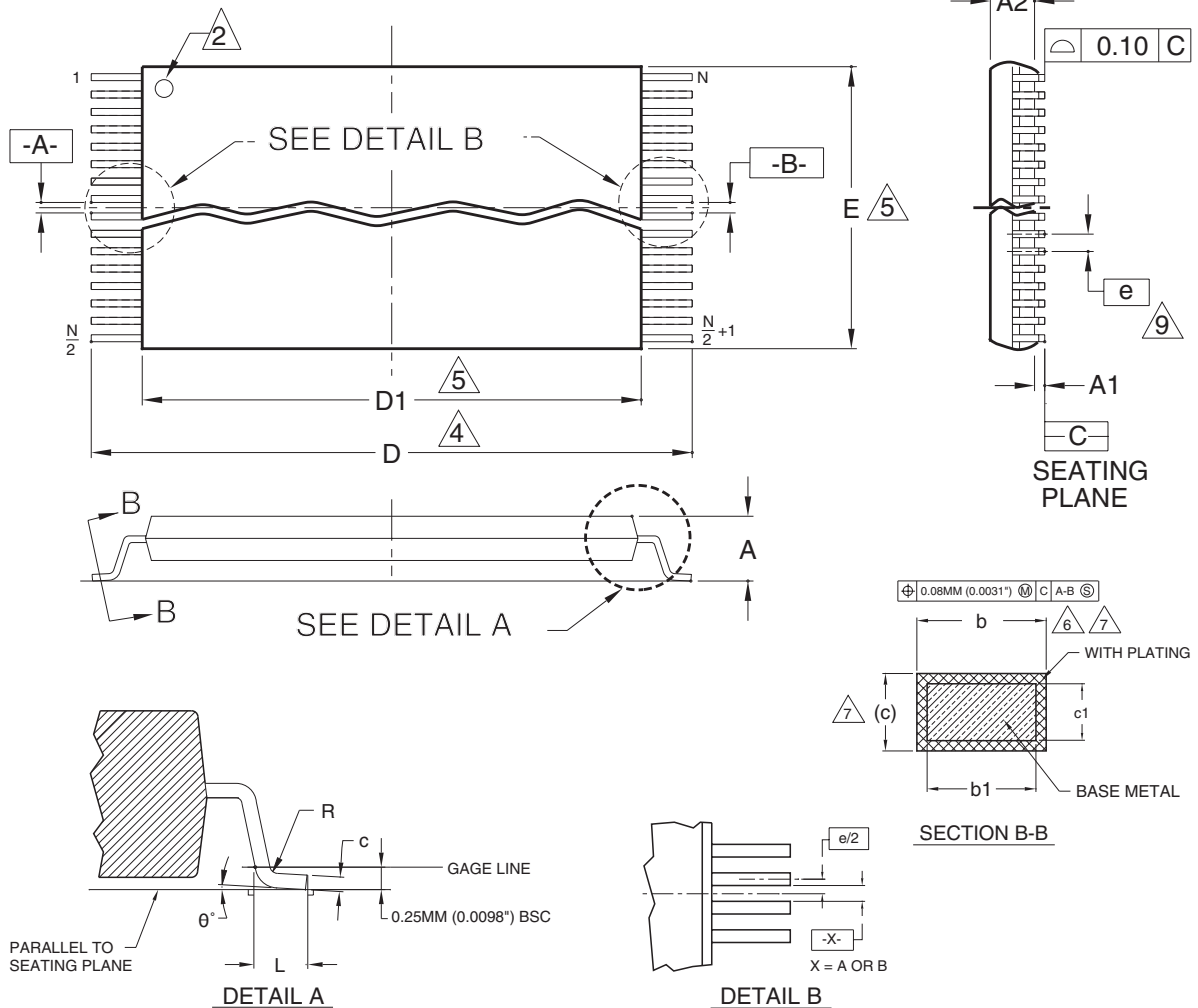
- 1 CONTROLLING DIMENSIONS ARE IN MILLIMETERS (MM). (DIMENSIONING AND TOLERANCING CONFORMS TO ANSI Y14.5M-1982)
- 2 NOT APPLICABLE.
- 3 PIN 1 IDENTIFIER FOR REVERSE PIN OUT (DIE DOWN), INK OR LASER MARK.
- 4 TO BE DETERMINED AT THE SEATING PLANE [C]. THE SEATING PLANE IS DEFINED AS THE PLANE OF CONTACT THAT IS MADE WHEN THE PACKAGE LEADS ARE ALLOWED TO REST FREELY ON A FLAT HORIZONTAL SURFACE.
- 5 DIMENSIONS D1 AND E DO NOT INCLUDE MOLD PROTRUSION. ALLOWABLE MOLD PROTRUSION IS 0.15MM (.0059") PER SIDE.
- 6 DIMENSION b DOES NOT INCLUDE DAMBAR PROTRUSION. ALLOWABLE DAMBAR PROTRUSION SHALL BE 0.08 (0.0031") TOTAL IN EXCESS OF b DIMENSION AT MAX. MATERIAL CONDITION. MINIMUM SPACE BETWEEN PROTRUSION AND AN ADJACENT LEAD TO BE 0.07 (0.0028").
- 7 THESE DIMENSIONS APPLY TO THE FLAT SECTION OF THE LEAD BETWEEN 0.10MM (.0039") AND 0.25MM (0.0098") FROM THE LEAD TIP.
- 8 LEAD COPLANARITY SHALL BE WITHIN 0.10MM (0.004") AS MEASURED FROM THE SEATING PLANE.
- 9 DIMENSION "e" IS MEASURED AT THE CENTERLINE OF THE LEADS.

3324 \ 16-038.10a

# Physical Dimensions

## TS048—48-Pin Standard/Reverse Thin Small Outline Package (TSOP)

### STANDARD PIN OUT (TOP VIEW)



Package	TS 048		
Jedec	MO-142 (B) EC		
Symbol	MIN	NOM	MAX
A	—	—	1.20
A1	0.05	—	0.15
A2	0.95	1.00	1.05
b1	0.17	0.20	0.23
b	0.17	0.22	0.27
c1	0.10	—	0.16
c	0.10	—	0.21
D	19.80	20.00	20.20
D1	18.30	18.40	18.50
E	11.90	12.00	12.10
e	0.50 BASIC		
L	0.50	0.60	0.70
0	0°	3°	5°
R	0.08	—	0.20
N	48		

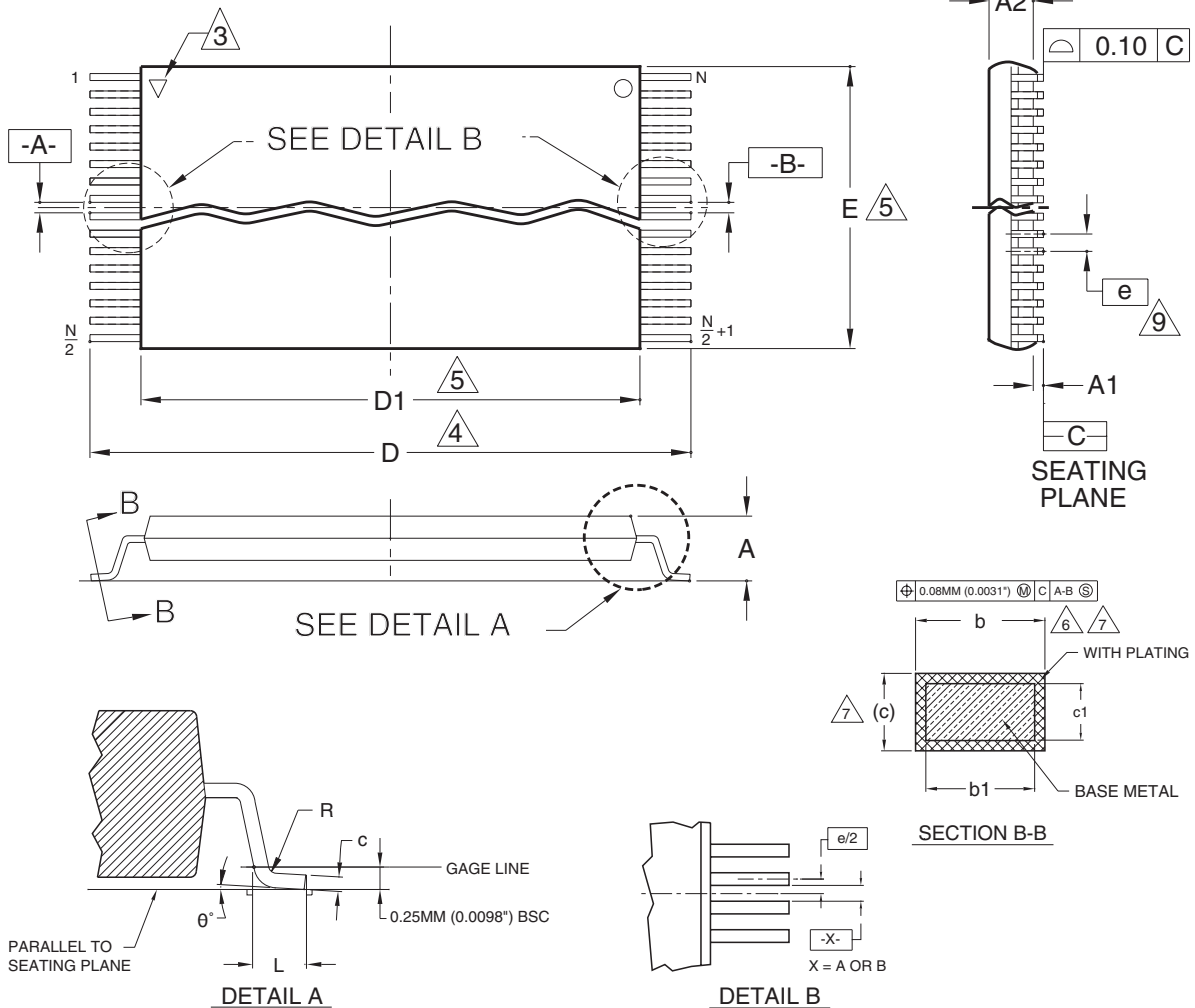
- NOTES:
- 1 CONTROLLING DIMENSIONS ARE IN MILLIMETERS (MM). (DIMENSIONING AND TOLERANCING CONFORMS TO ANSI Y14.5M-1982)
  - 2 PIN 1 IDENTIFIER FOR STANDARD PIN OUT (DIE UP).
  - 3 NOT APPLICABLE.
  - 4 TO BE DETERMINED AT THE SEATING PLANE [C]. THE SEATING PLANE IS DEFINED AS THE PLANE OF CONTACT THAT IS MADE WHEN THE PACKAGE LEADS ARE ALLOWED TO REST FREELY ON A FLAT HORIZONTAL SURFACE.
  - 5 DIMENSIONS D1 AND E DO NOT INCLUDE MOLD PROTRUSION. ALLOWABLE MOLD PROTRUSION IS 0.15MM (.0059") PER SIDE.
  - 6 DIMENSION b DOES NOT INCLUDE DAMBAR PROTRUSION. ALLOWABLE DAMBAR PROTRUSION SHALL BE 0.08 (0.0031") TOTAL IN EXCESS OF b DIMENSION AT MAX. MATERIAL CONDITION. MINIMUM SPACE BETWEEN PROTRUSION AND AN ADJACENT LEAD TO BE 0.07 (0.0028").
  - 7 THESE DIMENSIONS APPLY TO THE FLAT SECTION OF THE LEAD BETWEEN 0.10MM (.0039") AND 0.25MM (0.0098") FROM THE LEAD TIP.
  - 8 LEAD COPLANARITY SHALL BE WITHIN 0.10MM (0.004") AS MEASURED FROM THE SEATING PLANE.
  - 9 DIMENSION "e" IS MEASURED AT THE CENTERLINE OF THE LEADS.

3325 \ 16-038.10a

# Physical Dimensions

## TSR048—48-Pin Standard/Reverse Thin Small Outline Package (TSOP)

### REVERSE PIN OUT (TOP VIEW)



Package	TSR 048		
Jedec	MO-142 (B) EC		
Symbol	MIN	NOM	MAX
A	—	—	1.20
A1	0.05	—	0.15
A2	0.95	1.00	1.05
b1	0.17	0.20	0.23
b	0.17	0.22	0.27
c1	0.10	—	0.16
c	0.10	—	0.21
D	19.80	20.00	20.20
D1	18.30	18.40	18.50
E	11.90	12.00	12.10
e	0.50 BASIC		
L	0.50	0.60	0.70
theta	0°	3°	5°
R	0.08	—	0.20
N	48		

NOTES:

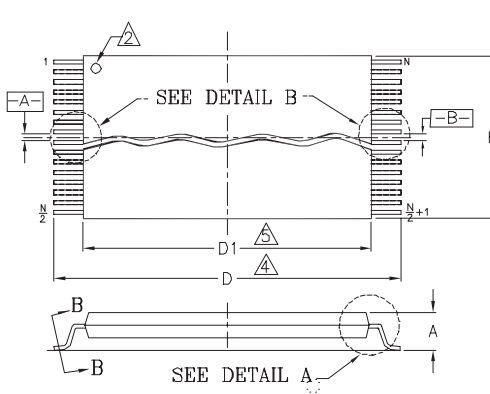
- ① CONTROLLING DIMENSIONS ARE IN MILLIMETERS (MM). (DIMENSIONING AND TOLERANCING CONFORMS TO ANSI Y14.5M-1982)
- ② NOT APPLICABLE.
- ③ PIN 1 IDENTIFIER FOR REVERSE PIN OUT (DIE DOWN), INK OR LASER MARK.
- ④ TO BE DETERMINED AT THE SEATING PLANE [C]. THE SEATING PLANE IS DEFINED AS THE PLANE OF CONTACT THAT IS MADE WHEN THE PACKAGE LEADS ARE ALLOWED TO REST FREELY ON A FLAT HORIZONTAL SURFACE.
- ⑤ DIMENSIONS D1 AND E DO NOT INCLUDE MOLD PROTRUSION. ALLOWABLE MOLD PROTRUSION IS 0.15MM (.0059") PER SIDE.
- ⑥ DIMENSION b DOES NOT INCLUDE DAMBAR PROTRUSION. ALLOWABLE DAMBAR PROTRUSION SHALL BE 0.08 (0.0031") TOTAL IN EXCESS OF b DIMENSION AT MAX. MATERIAL CONDITION. MINIMUM SPACE BETWEEN PROTRUSION AND AN ADJACENT LEAD TO BE 0.07 (0.0028").
- ⑦ THESE DIMENSIONS APPLY TO THE FLAT SECTION OF THE LEAD BETWEEN 0.10MM (.0039") AND 0.25MM (0.0098") FROM THE LEAD TIP.
- ⑧ LEAD COPLANARITY SHALL BE WITHIN 0.10MM (0.004") AS MEASURED FROM THE SEATING PLANE.
- ⑨ DIMENSION "e" IS MEASURED AT THE CENTERLINE OF THE LEADS.

3326 \ 16-038.10a

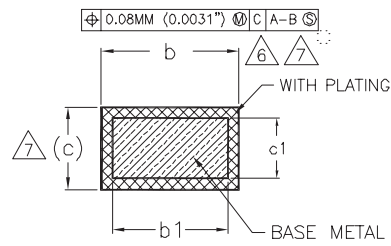
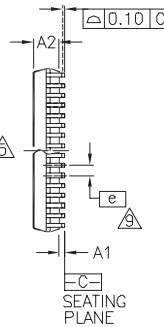
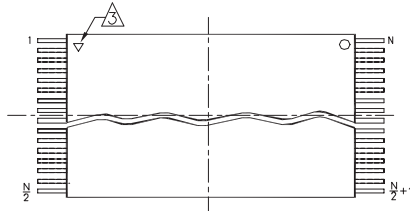
# Physical Dimensions

## TS056/TSR056—56-Pin Standard/Reverse Thin Small Outline Package (TSOP)

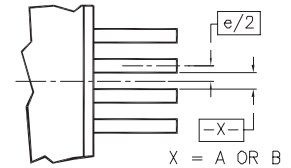
STANDARD PIN OUT (TOP VIEW)



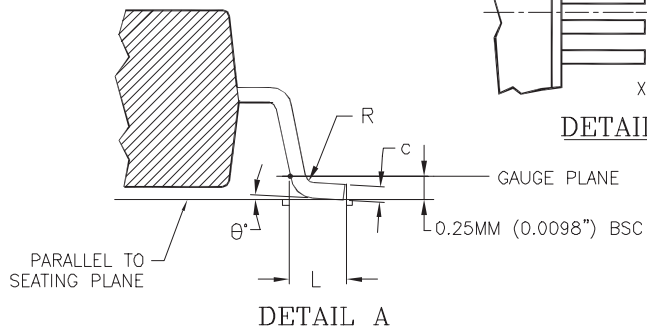
REVERSE PIN OUT (TOP VIEW)



SECTION B-B



DETAIL B



DETAIL A

PACKAGE	TS/TSR 56		
JEDEC	MO-142 (B) EC		
SYMBOL	MIN.	NOM.	MAX.
A	---	---	1.20
A1	0.05	---	0.15
A2	0.95	1.00	1.05
b1	0.17	0.20	0.23
b	0.17	0.22	0.27
c1	0.10	---	0.16
c	0.10	---	0.21
D	19.90	20.00	20.20
D1	18.30	18.40	18.50
E	13.90	14.00	14.10
e	0.50 BASIC		
L	0.50	0.60	0.70
∅	0°	3°	5°
R	0.08	---	0.20
N	56		

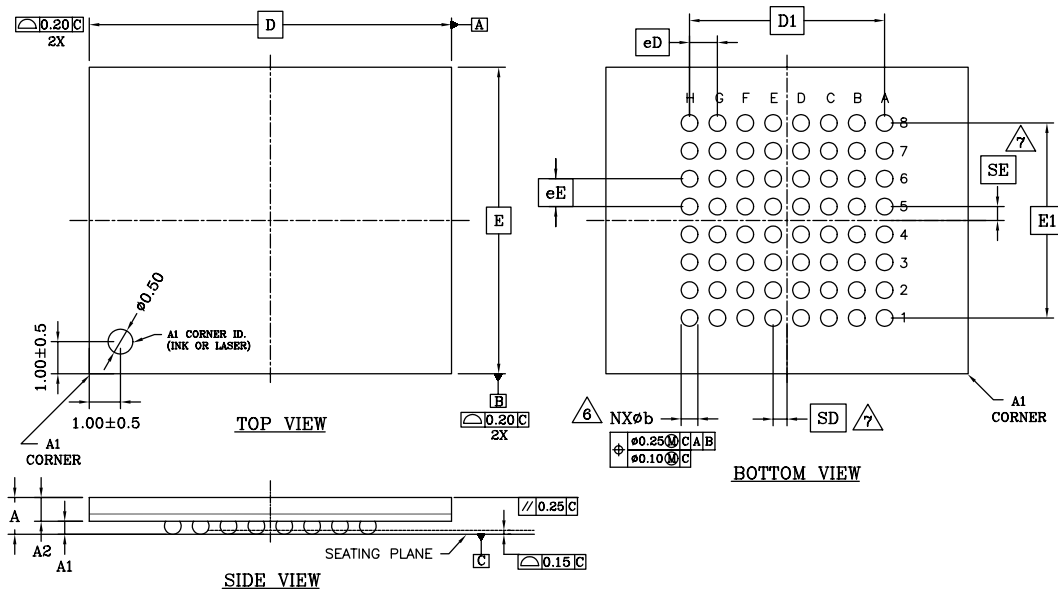
NOTES:

- 1 CONTROLLING DIMENSIONS ARE IN MILLIMETERS (mm). (DIMENSIONING AND TOLERANCING CONFORMS TO ANSI Y14.5M-1982.)
- 2 PIN 1 IDENTIFIER FOR STANDARD PIN OUT (DIE UP).
- 3 PIN 1 IDENTIFIER FOR REVERSE PIN OUT (DIE DOWN), INK OR LASER MARK.
- 4 TO BE DETERMINED AT THE SEATING PLANE [C]. THE SEATING PLANE IS DEFINED AS THE PLANE OF CONTACT THAT IS MADE WHEN THE PACKAGE LEADS ARE ALLOWED TO REST FREELY ON A FLAT HORIZONTAL SURFACE.
- 5 DIMENSIONS D1 AND E DO NOT INCLUDE MOLD PROTRUSION. ALLOWABLE MOLD PROTRUSION IS 0.15 mm PER SIDE.
- 6 DIMENSION b DOES NOT INCLUDE DAMBAR PROTUSION. ALLOWABLE DAMBAR PROTUSION SHALL BE 0.08 mm TOTAL IN EXCESS OF b DIMENSION AT MAX MATERIAL CONDITION. MINIMUM SPACE BETWEEN PROTUSION AND AN ADJACENT LEAD TO BE 0.07 mm.
- 7 THESE DIMENSIONS APPLY TO THE FLAT SECTION OF THE LEAD BETWEEN 0.10 mm AND 0.25 mm FROM THE LEAD TIP.
- 8 LEAD COPLANARITY SHALL BE WITHIN 0.10 mm AS MEASURED FROM THE SEATING PLANE.
- 9 DIMENSION "e" IS MEASURED AT THE CENTERLINE OF THE LEADS.

3160138.10A

# Physical Dimensions

## LAA064—64-Ball Fortified Ball Grid Array (FBGA)



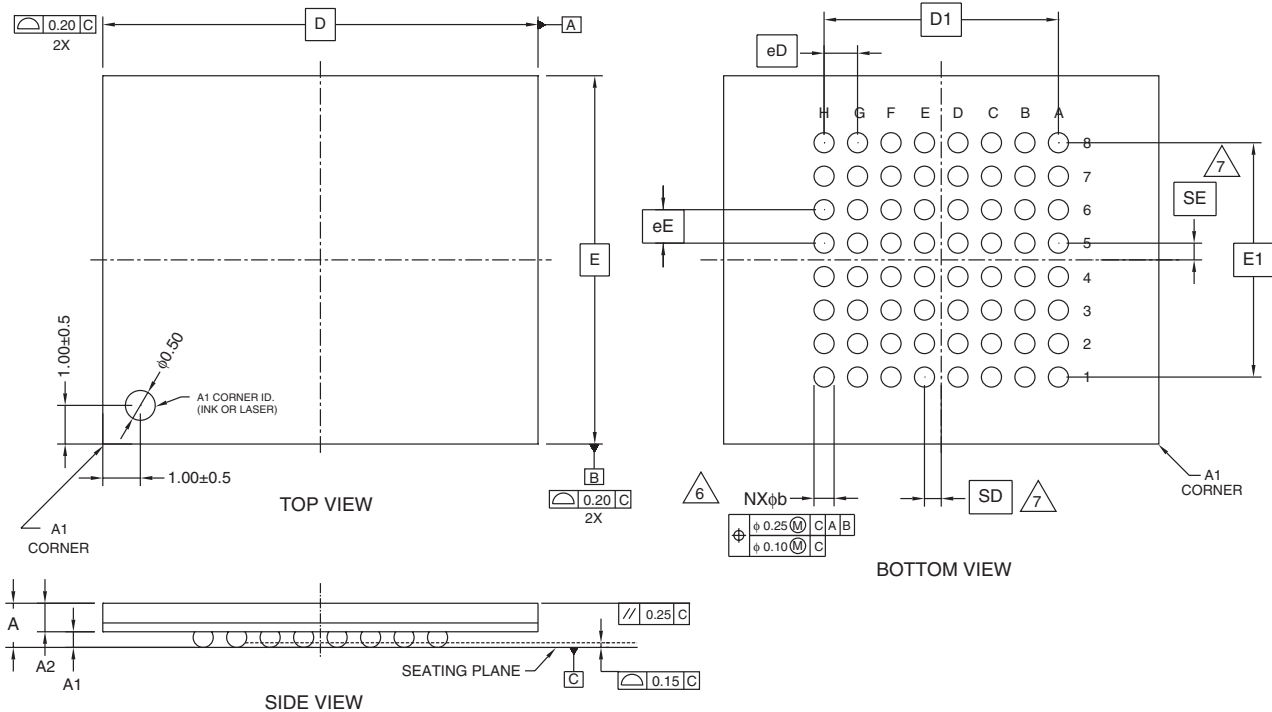
PACKAGE	LAA 064			
JEDEC	N/A			
	13.00x11.00 PACKAGE			
SYMBOL	MIN.	NOM.	MAX.	NOTE
A	-	-	1.40	PROFILE HEIGHT
A1	0.40	-	-	STANDOFF
A2	0.60	-	-	BODY THICKNESS
D	13.00 BSC.			BODY SIZE
E	11.00 BSC.			BODY SIZE
D1	7.00 BSC.			MATRIX FOOTPRINT
E1	7.00 BSC.			MATRIX FOOTPRINT
MD	8			MATRIX SIZE D DIRECTION
ME	8			MATRIX SIZE E DIRECTION
N	64			BALL COUNT
φb	0.50	0.60	0.70	BALL DIAMETER
φD	1.00 BSC.			BALL PITCH - D DIRECTION
φE	1.00 BSC.			BALL PITCH - E DIRECTION
SD/SE	0.50 BSC.			SOLDER BALL PLACEMENT
	A1-AB, K1-K8			DEPOPULATED SOLDER BALLS

**NOTES:**

- DIMENSIONING AND TOLERANCING METHODS PER ASME Y14.5M-1994 .
- ALL DIMENSIONS ARE IN MILLIMETERS .
- BALL POSITION DESIGNATION PER JESD 95-1, SPP-010 (EXCEPT AS NOTED).
- REPRESENTS THE SOLDER BALL GRID PITCH .
- SYMBOL "MD" IS THE BALL MATRIX SIZE IN THE "D" DIRECTION.  
SYMBOL "ME" IS THE BALL COLUMN MATRIX SIZE IN THE "E" DIRECTION.  
N IS THE NUMBER OF POPULATED SOLDER BALL POSITIONS FOR MATRIX SIZE MD X ME.
- △ DIMENSION "b" IS MEASURED AT THE MAXIMUM BALL DIAMETER IN A PLANE PARALLEL TO DATUM "C".
- △ SD AND SE ARE MEASURED WITH RESPECT TO DATUMS A AND B AND DEFINE THE POSITION OF THE CENTER SOLDER BALL IN THE OUTER ROW.  
WHEN THERE IS AN ODD NUMBER OF SOLDER BALLS IN THE OUTER ROW, SD OR SE = 0.000.  
WHEN THERE IS AN EVEN NUMBER OF SOLDER BALLS IN THE OUTER ROW, SD OR SE =  $\frac{e}{2}$
- "X" IN THE PACKAGE VARIATIONS DENOTES PART IS UNDER QUALIFICATION.
- "+" INDICATES THE THEORETICAL CENTER OF DEPOPULATED BALLS.

# Physical Dimensions

## LAC064—64-Pin 18 x 12 mm package



PACKAGE	LAC 064			NOTE
JEDEC	N/A			
18.00 mm x 12.00 mm PACKAGE				
SYMBOL	MIN	NOM	MAX	NOTE
A	---	---	1.40	PROFILE HEIGHT
A1	0.40	---	---	STANDOFF
A2	0.60	---	---	BODY THICKNESS
D	18.00 BSC.			BODY SIZE
E	12.00 BSC.			BODY SIZE
D1	7.00 BSC.			MATRIX FOOTPRINT
E1	7.00 BSC.			MATRIX FOOTPRINT
MD	8			MATRIX SIZE D DIRECTION
ME	8			MATRIX SIZE E DIRECTION
N	64			BALL COUNT
φb	0.50	0.60	0.70	BALL DIAMETER
eD	1.00 BSC.			BALL PITCH - D DIRECTION
eE	1.00 BSC.			BALL PITCH - E DIRECTION
SD / SE	0.50 BSC.			SOLDER BALL PLACEMENT
	NONE			DEPOPULATED SOLDER BALLS

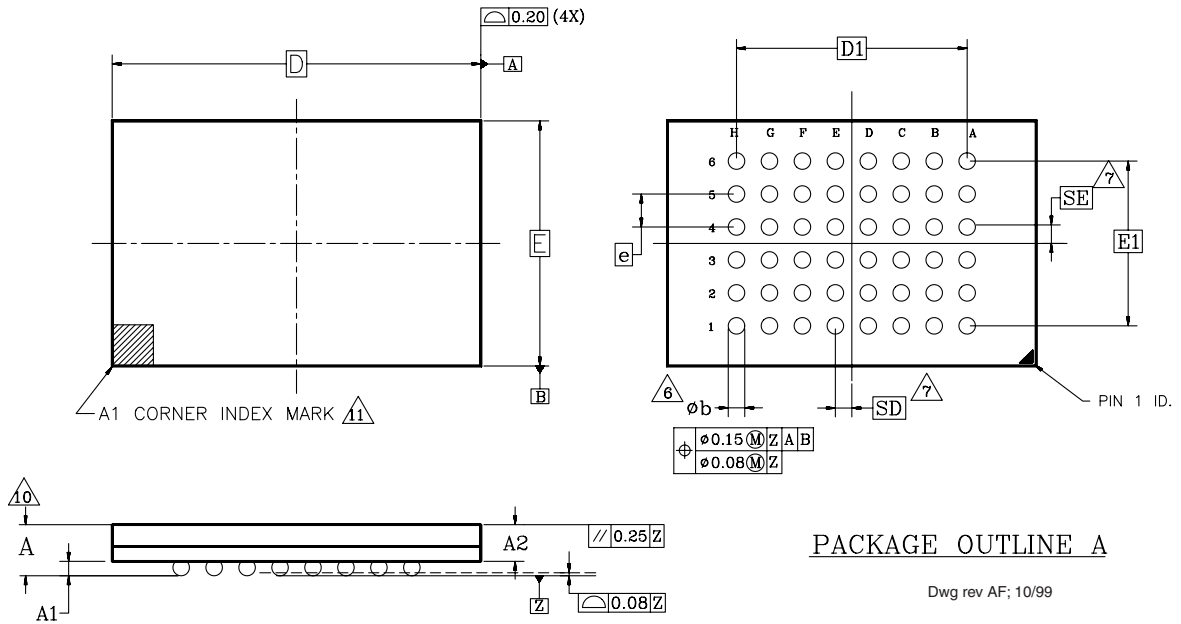
NOTES:

1. DIMENSIONING AND TOLERANCING PER ASME Y14.5M-1994.
2. ALL DIMENSIONS ARE IN MILLIMETERS.
3. BALL POSITION DESIGNATION PER JESD 95-1, SPP-010 (EXCEPT AS NOTED).
4. [e] REPRESENTS THE SOLDER BALL GRID PITCH.
5. SYMBOL "MD" IS THE BALL ROW MATRIX SIZE IN THE "D" DIRECTION.  
SYMBOL "ME" IS THE BALL COLUMN MATRIX SIZE IN THE "E" DIRECTION.  
N IS THE TOTAL NUMBER OF SOLDER BALLS.
6. DIMENSION "b" IS MEASURED AT THE MAXIMUM BALL DIAMETER IN A PLANE PARALLEL TO DATUM C.
7. SD AND SE ARE MEASURED WITH RESPECT TO DATUMS A AND B AND DEFINE THE POSITION OF THE CENTER SOLDER BALL IN THE OUTER ROW.  
WHEN THERE IS AN ODD NUMBER OF SOLDER BALLS IN THE OUTER ROW PARALLEL TO THE D OR E DIMENSION, RESPECTIVELY, SD OR SE = 0.000.  
WHEN THERE IS AN EVEN NUMBER OF SOLDER BALLS IN THE OUTER ROW, SD OR SE = [e/2]
8. NOT USED.
9. "+" INDICATES THE THEORETICAL CENTER OF DEPOPULATED BALLS.

3243 \ 16-038.12d

# Physical Dimensions

## FBA048—48-Pin 6.15 x 8.15 mm package



PACKAGE OUTLINE A

Dwg rev AF; 10/99

PACKAGE	xFBA 048			
JEDEC	N/A			
	6.15mmx8.15mm PACKAGE			
SYMBOL	MIN	NOM	MAX	NOTE
A	—	—	1.20	OVERALL THICKNESS
A1	0.20	—	—	BALL HEIGHT
A2	0.84	—	0.94	BODY THICKNESS
D	8.15 BSC			BODY SIZE
E	6.15 BSC			BODY SIZE
D1	5.60 BSC			BALL FOOTPRINT
E1	4.00 BSC			BALL FOOTPRINT
MD	8			ROW MATRIX SIZE D DIRECTION
ME	6			ROW MATRIX SIZE E DIRECTION
N	48			TOTAL BALL COUNT
b	0.25	0.30	0.35	BALL DIAMETER
e	0.80 BSC			BALL PITCH
SD/SE	0.40 BSC			SOLDER BALL PLACEMENT

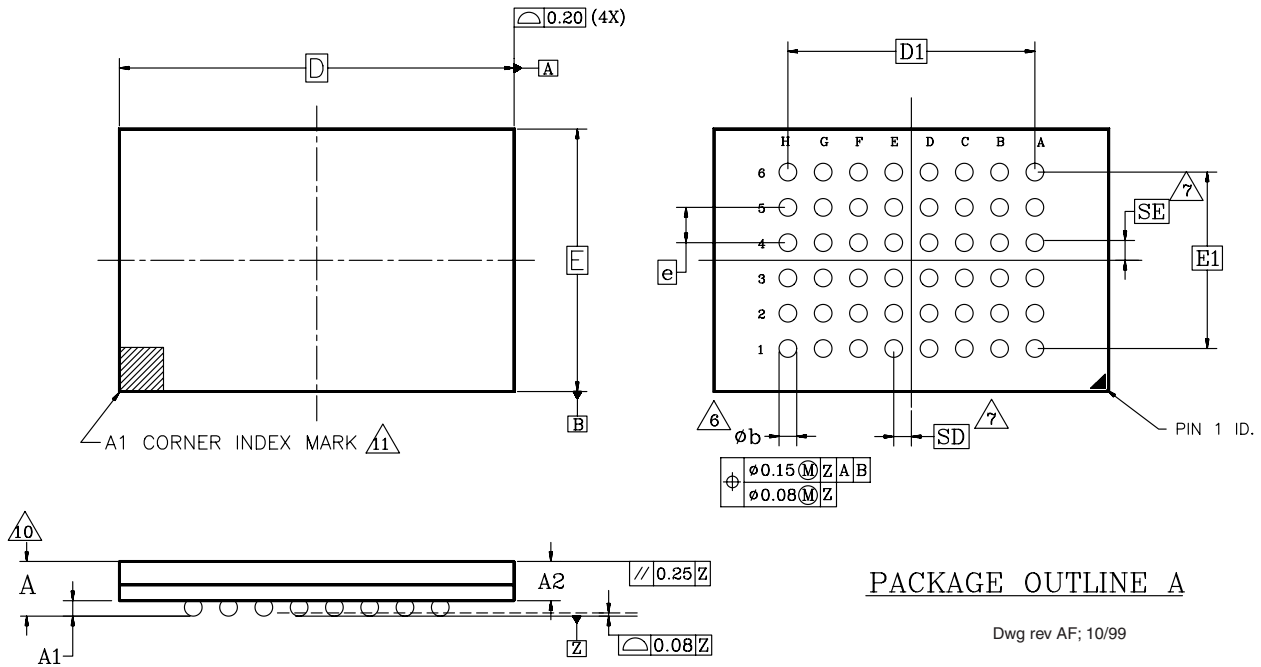
NOTES:

- DIMENSIONING AND TOLERANCING PER ASME Y14.5M-1994.
- ALL DIMENSIONS ARE IN MILLIMETERS.
- BALL POSITION DESIGNATION PER JESD 95-1, SPP-010.
- e REPRESENTS THE SOLDER BALL GRID PITCH.
- SYMBOL "MD" IS THE BALL ROW MATRIX SIZE IN THE "D" DIRECTION. SYMBOL "ME" IS THE BALL COLUMN MATRIX SIZE IN THE "E" DIRECTION. N IS THE MAXIMUM NUMBER OF SOLDER BALLS FOR MATRIX SIZE MD x ME.
- DIMENSION "b" IS MEASURED AT THE MAXIMUM BALL DIAMETER IN A PLANE PARALLEL TO DATUM Z.
- SD AND SE ARE MEASURED WITH RESPECT TO DATUMS A AND B AND DEFINE THE POSITION OF THE CENTER SOLDER BALL IN THE OUTER ROW. WHEN THERE IS AN ODD NUMBER OF SOLDER BALLS IN THE OUTER ROW PARALLEL TO THE D OR E DIMENSION, RESPECTIVELY, SD OR SE = 0.000 WHEN THERE IS AN EVEN NUMBER OF SOLDER BALLS IN THE OUTER ROW, SD OR SE = e/2
- "X" IN THE PACKAGE VARIATIONS DENOTES PART IS UNDER QUALIFICATION.
- "+" IN THE PACKAGE DRAWING INDICATE THE THEORETICAL CENTER OF DEPOPULATED BALLS.
- FOR PACKAGE THICKNESS A IS THE CONTROLLING DIMENSION.
- A1 CORNER TO BE IDENTIFIED BY CHAMFER, INK MARK, METALLIZED MARKINGS INDENTATION OR OTHER MEANS.



# Physical Dimensions

## FBC048—48-Pin 8 x 9 mm package



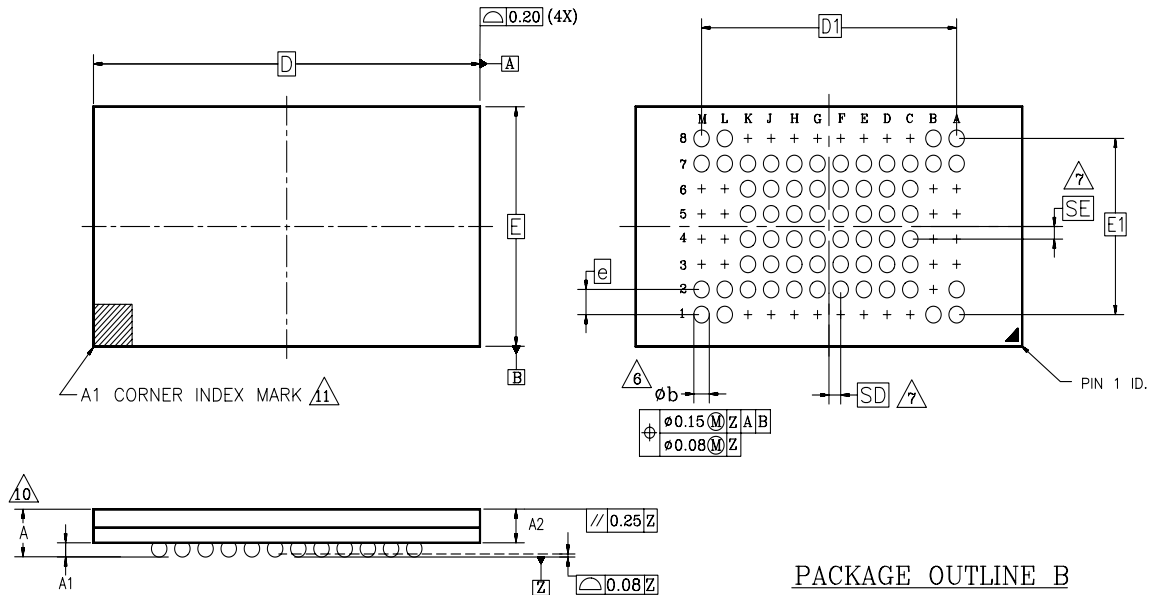
PACKAGE	FBC 048			NOTE
JEDEC	N/A			
	8.00mmx9.00mm PACKAGE			
SYMBOL	MIN	NOM	MAX	NOTE
A	-	-	1.20	OVERALL THICKNESS
A1	0.20	-	-	BALL HEIGHT
A2	0.84	-	0.94	BODY THICKNESS
D	9.00 BSC			BODY SIZE
E	8.00 BSC			BODY SIZE
D1	5.60 BSC			BALL FOOTPRINT
E1	4.00 BSC			BALL FOOTPRINT
MD	8			ROW MATRIX SIZE D DIRECTION
ME	6			ROW MATRIX SIZE E DIRECTION
N	48			TOTAL BALL COUNT
b	0.25	0.30	0.35	BALL DIAMETER
e	0.80 BSC			BALL PITCH
SD/SE	0.40 BSC			SOLDER BALL PLACEMENT

NOTES:

- DIMENSIONING AND TOLERANCING PER ASME Y14.5M-1994.
- ALL DIMENSIONS ARE IN MILLIMETERS.
- BALL POSITION DESIGNATION PER JESD 95-1, SPP-010.
- [e] REPRESENTS THE SOLDER BALL GRID PITCH.
- SYMBOL "MD" IS THE BALL ROW MATRIX SIZE IN THE "D" DIRECTION. SYMBOL "ME" IS THE BALL COLUMN MATRIX SIZE IN THE "E" DIRECTION. N IS THE MAXIMUM NUMBER OF SOLDER BALLS FOR MATRIX SIZE MD x ME.
- DIMENSION "b" IS MEASURED AT THE MAXIMUM BALL DIAMETER IN A PLANE PARALLEL TO DATUM Z.
- SD AND SE ARE MEASURED WITH RESPECT TO DATUMS A AND B AND DEFINE THE POSITION OF THE CENTER SOLDER BALL IN THE OUTER ROW. WHEN THERE IS AN ODD NUMBER OF SOLDER BALLS IN THE OUTER ROW PARALLEL TO THE D OR E DIMENSION, RESPECTIVELY, SD OR SE = 0.000 WHEN THERE IS AN EVEN NUMBER OF SOLDER BALLS IN THE OUTER ROW, SD OR SE =  $e/2$
- "x" IN THE PACKAGE VARIATIONS DENOTES PART IS UNDER QUALIFICATION.
- "+" IN THE PACKAGE DRAWING INDICATE THE THEORETICAL CENTER OF DEPOPULATED BALLS.
- FOR PACKAGE THICKNESS A IS THE CONTROLLING DIMENSION.
- A1 CORNER TO BE IDENTIFIED BY CHAMFER, INK MARK, METALLIZED MARKINGS INDENTION OR OTHER MEANS.

# Physical Dimensions

## FBE063—63-Pin 12 x 11 mm package



Dwg rev AF; 10/99

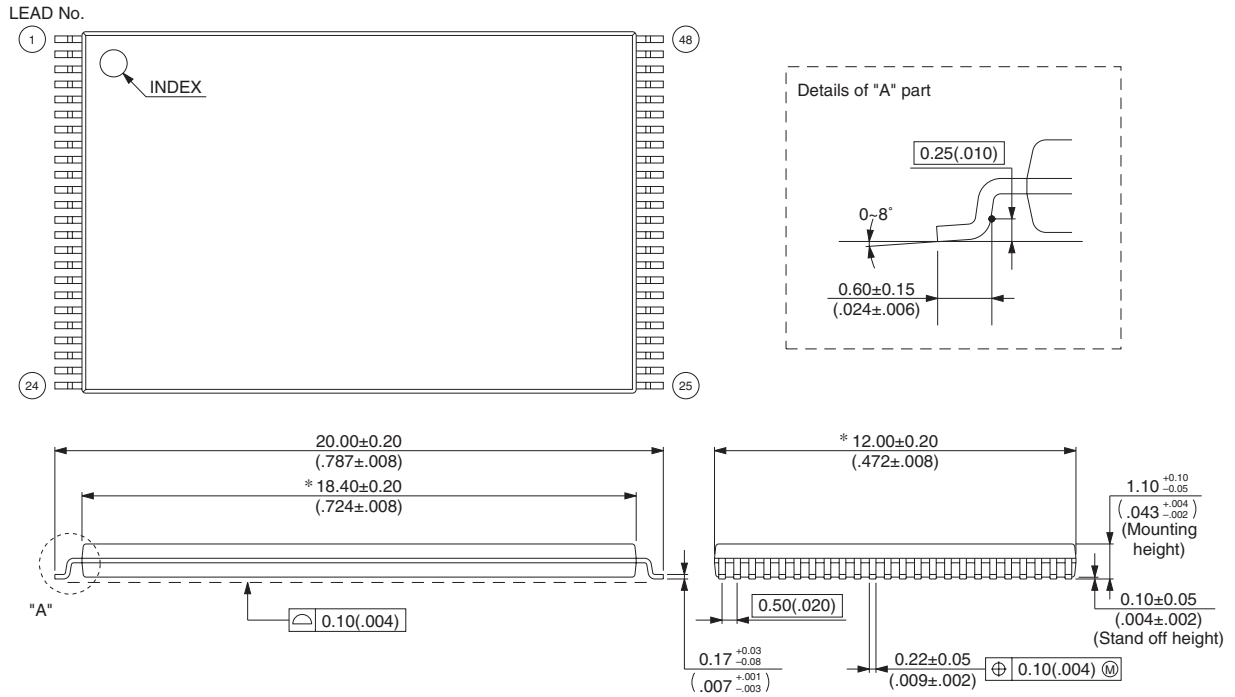
PACKAGE	xFBE 063			
JEDEC	N/A			
	12.00mmx11.00mm PACKAGE			
SYMBOL	MIN	NOM	MAX	NOTE
A	—	—	1.20	OVERALL THICKNESS
A1	0.20	—	—	BALL HEIGHT
A2	0.84	—	0.94	BODY THICKNESS
D	12.00 BSC			BODY SIZE
E	11.00 BSC			BODY SIZE
D1	8.80 BSC			BALL FOOTPRINT
E1	5.60 BSC			BALL FOOTPRINT
MD	12			ROW MATRIX SIZE D DIRECTION
ME	8			ROW MATRIX SIZE E DIRECTION
N	63			TOTAL BALL COUNT
b	0.25	0.30	0.35	BALL DIAMETER
e	0.80 BSC			BALL PITCH
SD/SE	0.40 BSC			SOLDER BALL PLACEMENT
	A3–A6, B2–B6 L3–L6, M3–M6 C1–K1, C8–K8			DEPOPULATED SOLDER BALLS

**NOTES:**

- DIMENSIONING AND TOLERANCING PER ASME Y14.5M-1994.
- ALL DIMENSIONS ARE IN MILLIMETERS.
- BALL POSITION DESIGNATION PER JESD 95-1, SPP-010.
- $\square e$  REPRESENTS THE SOLDER BALL GRID PITCH.
- SYMBOL "MD" IS THE BALL ROW MATRIX SIZE IN THE "D" DIRECTION. SYMBOL "ME" IS THE BALL COLUMN MATRIX SIZE IN THE "E" DIRECTION. N IS THE MAXIMUM NUMBER OF SOLDER BALLS FOR MATRIX SIZE MD x ME.
- DIMENSION "b" IS MEASURED AT THE MAXIMUM BALL DIAMETER IN A PLANE PARALLEL TO DATUM Z.
- SD AND SE ARE MEASURED WITH RESPECT TO DATUMS A AND B AND DEFINE THE POSITION OF THE CENTER SOLDER BALL IN THE OUTER ROW. WHEN THERE IS AN ODD NUMBER OF SOLDER BALLS IN THE OUTER ROW PARALLEL TO THE D OR E DIMENSION, RESPECTIVELY, SD OR SE = 0.000 WHEN THERE IS AN EVEN NUMBER OF SOLDER BALLS IN THE OUTER ROW, SD OR SE =  $\square e/2$
- "X" IN THE PACKAGE VARIATIONS DENOTES PART IS UNDER QUALIFICATION.
- "+" IN THE PACKAGE DRAWING INDICATE THE THEORETICAL CENTER OF DEPOPULATED BALLS.
- FOR PACKAGE THICKNESS A IS THE CONTROLLING DIMENSION.
- A1 CORNER TO BE IDENTIFIED BY CHAMFER, INK MARK, METALLIZED MARKINGS INDENTION OR OTHER MEANS.

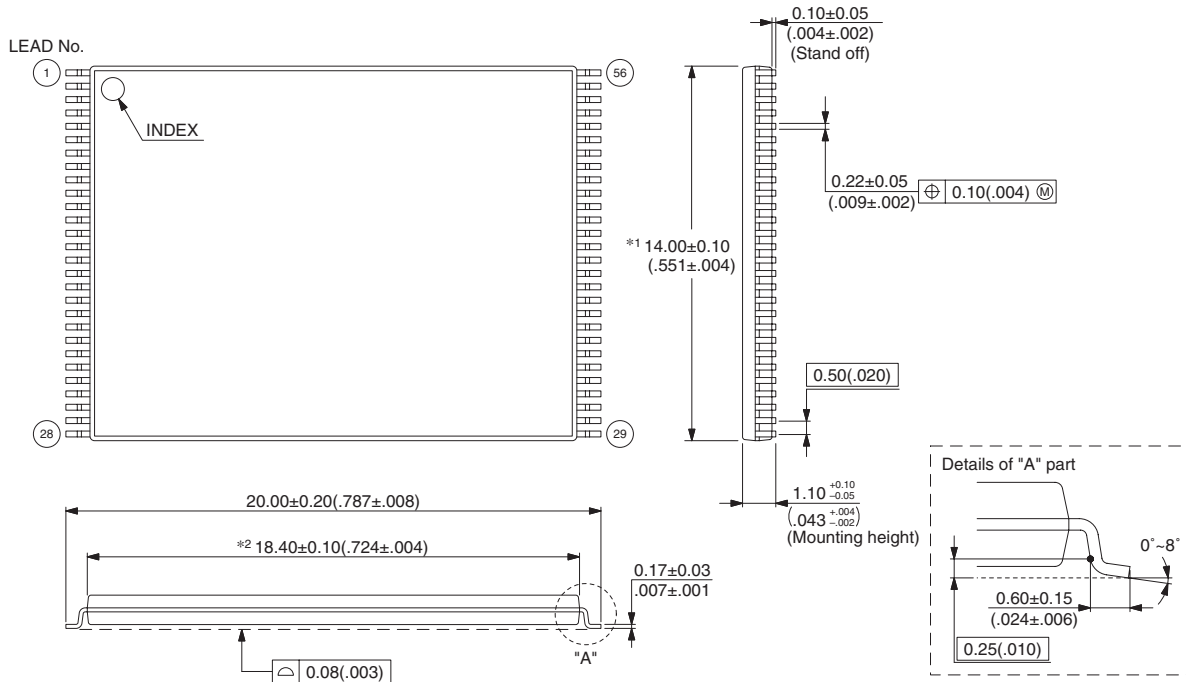
# Physical Dimensions

## FPT-48P-M19



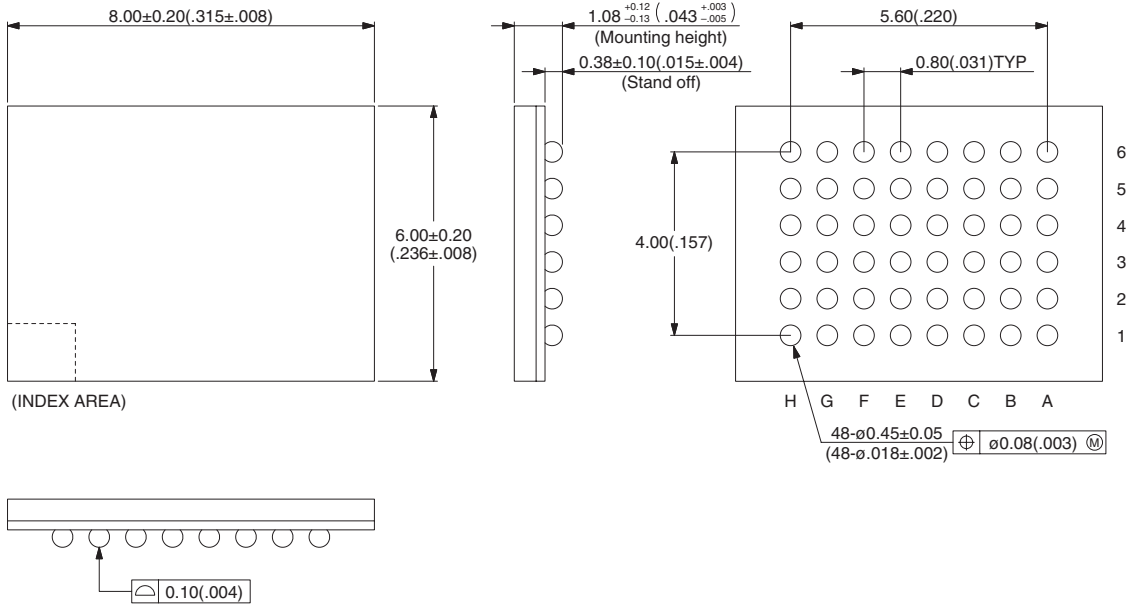
# Physical Dimensions

## FPT-56P-M01



# Physical Dimensions

## BGA-48P-M20



## Revision Summary

### Revision A (January 29, 2004)

Initial Release.

### Revision A+1 (February 23, 2004)

#### Connection Diagrams

Removed 80-ball Fine-pitch BGA pinout.

#### Ordering Information

Added additional packing type.

Removed frame description from package material set.

Updated valid combinations to reflect the addition of new package type.

Added marking descriptions to all valid combination tables.

#### Word Program Command Sequence and Unlock Bypass Command Sequence

Added these sections.

#### Figure 3, "Write Buffer Programming Operation", Figure 4, "Program Operation"

Updated figure.

#### Table 31, "Command Definitions (x16 Mode, BYTE# = V<sub>IH</sub>),"

Updated table.

Added note 19.

#### Table 32, "Command Definitions (x8 Mode, BYTE# = V<sub>IL</sub>),"

Updated table.

Added note 17.

#### Figure 7, "Data# Polling Algorithm"

Updated figure.

#### Erase and Program Operations and Alternate CE# Controlled Erase and Program Operations

Updated T<sub>WHWHI</sub> description

Added Note 4.

#### Figure 16, "Program Operation Timings", Figure 18, "Chip/Sector Erase Operation Timings", Figure 20, "Toggle Bit Timings (During Embedded Algorithms)", Figure 24, "Alternate CE# Controlled Write (Erase/Program) Operation Timings"

Updated figure.

#### Physical Dimensions

Removed BGA-63P-M02 and BGA-80P-M01

Added the TS040 package

### Revision A+2 (February 25, 2004)

#### Connection Diagrams

Removed the 40-pin reverse TSOP diagram.

Updated the 48-pin standard TSOP diagram.

Removed the 48-pin reverse TSOP diagram.

Removed the 56-pin reverse TSOP diagram.

#### **Ordering Information**

Removed all references to package type R.

#### **Table 14 Autoselect Codes, (High Voltage Method)**

Updated the R3, R4 column replacing -04 and -03 designators with -R4 and -R3 respectively.

#### **Word Program Command Sequence**

Included statements documenting word programming support for backward compatibility with existing Flash drivers.

#### **Physical Dimensions**

Removed the BGA-80P-M02 diagram.

### **Revision A+3 (February 26, 2004)**

#### **Distinctive Characteristics**

Corrected typo in the Flexible Sector Architecture section.

### **Revision A+4 (March 24, 2004)**

#### **CMOS Compatible**

Removed  $V_{CC}$  from Max for  $V_{OL}$ .

#### **Erase and Program Operations-S29GL256M only**

Corrected unit typos.

#### **Erase and Program Operations-S29GL128M only**

Corrected the minimum Data Setup Time.

#### **Alternate CE# Controlled Erase and Program Operations-S29GL128M**

Corrected the minimum CE# Pulse width.

#### **TSOP Pin and BGA Package Capacitance: Pkg types TB, TC, BB, BC**

Added  $C_{IN3}$ .

#### **Connection Diagrams**

40-pin standard TSOP: Corrected pin 30 to be  $V_{IO}$ .

48-pin standard TSOP: Added superscripts to designators for pin 9, 13, 14, 15 and 47. Changed pin 13 to A21. Added two notes below illustration.

56-pin standard TSOP: Added superscripts to designators for pin 1, 2 and 12. Changed pin 56 to NC. Added three notes below illustration.

64-ball Fortified BGA: Corrected ball D8 to be  $V_{IO}$ . Added superscripts to designators for ball D8, F7, and F1. Added two notes below illustration.

63-ball Fine-pitch BGA: Added superscript to designator for Ball H7. Added one note below illustration. Added connection diagrams for S29GL064M (model R0) and S29GL032M (model R0).

#### **Pin Description**

Added  $V_{IO}$  description.

### **Logic Symbols**

Added  $V_{IO}$  on all models except R3 and R4.

### **Figure 3 Write Buffer Programming Operation**

Corrected the DQ locations and added callouts to notes one through three.

### **DC Characteristics**

Corrected test conditions for  $I_{CC6}$ .

## **Revision A+5 (April 30, 2004)**

### **Ordering Information - S29GL032M**

Added R5 and R6 model numbers to the breakout table.

Updated the Valid Combinations for BGA packages table to reflect model numbers R5 and R6.

### **Ordering Information - S29GL064M**

Revised R8 and R9 model numbers on the breakout table.

Updated the Valid Combinations for TSOP packages table.

### **Ordering Information - S29GL0128M**

Added R8 and R9 model numbers to the breakout table.

Revised the Package Material Set options on the breakout table.

Updated the Valid Combinations for TSOP packages table.

### **Ordering Information - S29GL256M**

Revised the Package Material Set options on the breakout table.

### **Connection Diagrams (56-Pin TSOP)**

Added a callout to Note 3 for pin 15.

### **Device Geometry Definition table**

Revised the data and description information for addresses: 28h/50h and 29h/52h.

### **Primary Vendor Specific Extended Query table**

Revised the data and description information for addresses: 45h/8Ah (x16/x8)

Revised the data information for addresses: 4Ch/98h (x16/x8)

### **Erase and Programming Performance table**

Revised notes 1 and 2 below the table.

#### **Trademarks and Notice**

Copyright © 2004 FASL LLC. All rights reserved.

Spansion, the Spansion logo, MirrorBit, and combinations thereof are registered trademarks of FASL LLC.

ExpressFlash is a trademark of FASL LLC.

Product names used in this publication are for identification purposes only and may be trademarks of their respective companies.