

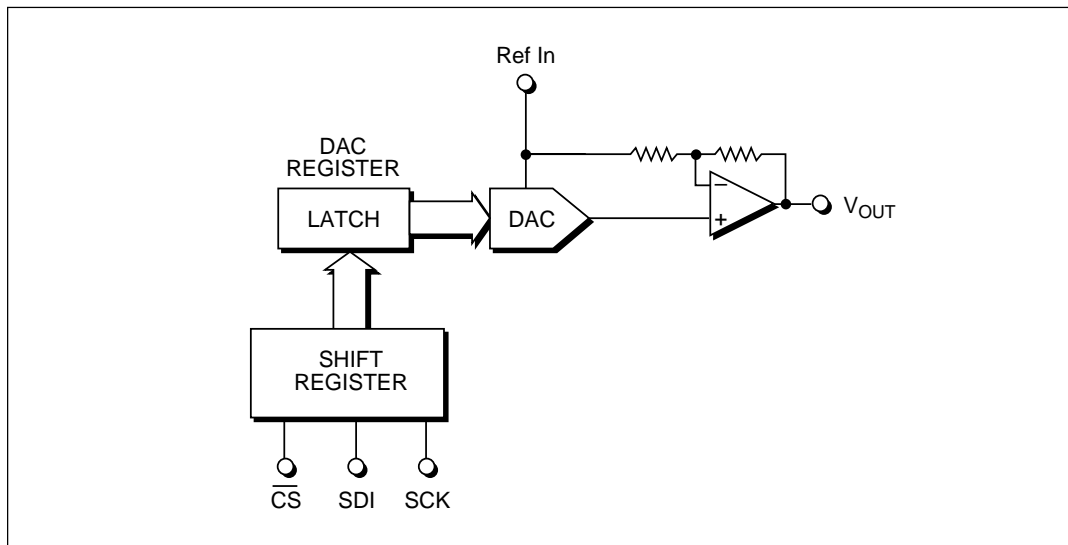
12-Bit, Low Power Voltage Output D/A Converter

- Low Power — 2mW
- Voltage Output, 4.5V range
- Midscale Preset, Zero Volts Out
- 250KHz Multiplying Bandwidth (4-Quadrant)
- Standard 3-Wire Serial Interface
- 8-pin (0.15") SOIC and Plastic DIP Packages
- $\pm 5V$ supply operation



DESCRIPTION...

The **SP9601** is a very low power 12-Bit Digital-to-Analog Converter. It features $\pm 4.5V$ output swings when using $\pm 5V$ supplies. The converter uses a standard 3-wire serial interface compatible with SPI™, QSPI™ and Microwire™. The output settling-time is specified at 30 μs . The **SP9601** is available in 8-pin 0.15" SOIC and DIP packages, specified over commercial and industrial temperature ranges.



ABSOLUTE MAXIMUM RATINGS

These are stress ratings only and functional operation of the device at these or any other above those indicated in the operation sections of the specifications below is not implied. Exposure to absolute maximum rating conditions for extended periods of time may affect reliability.

$V_{DD} - GND$	-0.3V, +6.0V
$V_{SS} - GND$	+0.3V, -6.0V
$V_{DD} - V_{SS}$	-0.3V, +12.0V
V_{REF}	V_{SS}, V_{DD}
D_{IN}	V_{SS}, V_{DD}
Power Dissipation	
Plastic DIP	375mW
(derate 7mW/°C above +70°C)	
Plastic LCC	375mW
(derate 7mW/°C above +70°C)	
Small Outline	375mW
(derate 7mW/°C above +70°C)	



CAUTION:
ESD (ElectroStatic Discharge) sensitive device. Permanent damage may occur on unconnected devices subject to high energy electrostatic fields. Unused devices must be stored in conductive foam or shunts. Personnel should be properly grounded prior to handling this device. The protective foam should be discharged to the destination socket before devices are removed.

SPECIFICATIONS

(Typical at 25°C; $T_{MIN} \leq T_A \leq T_{MAX}$; $V_{DD} = +5V$, $V_{SS} = -5V$, $V_{REF} = +3V$; CMOS logic level digital inputs; specifications apply to all grades unless otherwise noted.)

PARAMETER	MIN.	TYP.	MAX.	UNITS	CONDITIONS
DIGITAL INPUTS					
Logic Levels					
V_{IH}	2.4			Volts	
V_{IL}			0.8	Volts	
4 Quad, Bipolar Coding		Offset Binary			
REFERENCE INPUT					
Voltage Range		± 3	± 4.5	Volts	Note 5
Input Resistance	6	8.8		k Ω	$D_{IN} = 1,877$; code dependent
ANALOG OUTPUT					
Gain					
-B, -K		± 0.5	± 2.0	LSB	$V_{REF} = \pm 3V$; Note 3
-A, -J		± 1.0	± 4.0	LSB	$V_{REF} = \pm 3V$; Note 3
		± 1.0	± 5.0	LSB	$V_{REF} = \pm 4.5V$; Note 3
Initial Offset Bipolar		± 0.25	± 3.0	LSB	$D_{IN} = 2,048$
Voltage Range Bipolar		± 3.0	± 4.5	Volts	
Output Current	± 5.0 ± 0.5			mA mA	$V_{REF} = \pm 3V$ $V_{REF} = \pm 4.5V$
STATIC PERFORMANCE					
Resolution	12			Bits	
Integral Linearity					
-B, -K		± 0.25	± 0.5	LSB	$V_{REF} = \pm 3V$; Note 3
-A, -J		± 0.5	± 1.0	LSB	$V_{REF} = \pm 3V$; Note 3
		± 0.5	± 3.0	LSB	$V_{REF} = \pm 4.5V$; Note 3
Differential Linearity					
-B, -K		± 0.25	± 0.75	LSB	
-A, -J		± 0.25	± 1.0	LSB	
Monotonicity		Guaranteed			
DYNAMIC PERFORMANCE					
Settling Time					
Small Signal		4		μs	to 0.024%
Full Scale		30		μs	to 0.024%
Slew Rate		0.3		V/ μs	
Multiplying Bandwidth		250		KHz	
STABILITY					
Gain		15		ppm/°C	t_{MIN} to t_{MAX}
Bipolar Zero		15		ppm/°C	t_{MIN} to t_{MAX}

SPECIFICATIONS (continued)

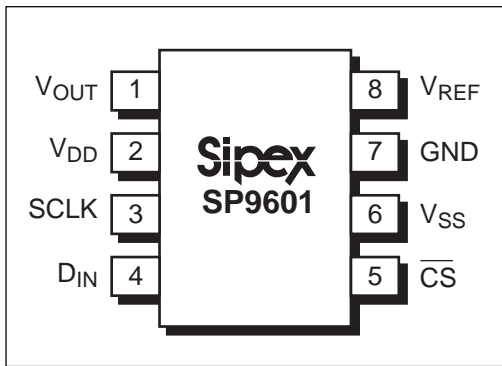
(Typical at 25°C; $T_{MIN} \leq T_A \leq T_{MAX}$; $V_{DD} = +5V$, $V_{SS} = -5V$, $V_{REF} = +3V$; CMOS logic level digital inputs; specifications apply to all grades unless otherwise noted.)

PARAMETER	MIN.	TYP.	MAX.	UNITS	CONDITIONS
POWER REQUIREMENTS					Note 5
V_{DD}					+5V, ±3%; Note 4, 5
-J, -K		0.2	0.3	mA	
-A, -B		0.2	0.45	mA	
V_{SS}					-5V, ±3%; Note 4, 5
-J, -K		0.2	0.3	mA	
-A, -B		0.2	0.45	mA	
Power Dissipation		2		mW	
SWITCHING CHARACTERISTICS					
CS Setup Time (t_{CSS})	25			ns	
SCLK Fall to \overline{CS} Fall Hold Time (t_{CSH0})	20			ns	
SCLK Fall to \overline{CS} Rise Hold Time (t_{CSH1})	0			ns	
SCLK High Width (t_{CH})	40			ns	
SCLK Low Width (t_{CL})	40			ns	
DIN Setup Time (t_{DS})	50			ns	
DIN Hold Time (t_{DH})	0			ns	
\overline{CS} High Pulse Width (t_{CSW})	30			ns	
ENVIRONMENTAL AND MECHANICAL					
Operating Temperature					
-J, -K	0		+70	°C	
-A, -B	-40		+85	°C	
Storage Temperature	-60		+150	°C	
Package					
-_N	8-pin Plastic DIP				
-_S	8-pin 0.15" SOIC				

Notes:

- Integral Linearity, for the **SP9601**, is measured as the arithmetic mean value of the magnitudes of the greatest positive deviation and the greatest negative deviation from the theoretical value for any given input condition.
- Differential Linearity is the deviation of an output step from the theoretical value of 1 LSB for any two adjacent digital input codes.
- 1 LSB = $2 * V_{REF} / 4,096$.
- $V_{REF} = 0V$.
- The following power up sequence is recommended: V_{SS} (-5V), V_{DD} (+5V), V_{REF} .

PINOUT – 8-PIN PLASTIC DIP & SOIC



PIN ASSIGNMENTS

Pin 1- V_{OUT} – Voltage Output.

Pin 2- V_{DD} – +5V Power Supply Input.

Pin 3- SCLK – Serial Clock Input.

Pin 4- D_{IN} – Serial Data Input.

Pin 5- \overline{CS} – Chip Select Input.

Pin 6- V_{SS} – -5V Power Supply Input.

Pin 7- GND – Ground.

Pin 8- V_{REF} – Reference Input.

FEATURES...

The **SP9601** is a low power 12–Bit Digital-to-Analog Converter. The converter features $\pm 4.5V$ output swings with $\pm 5V$ supplies. The input coding format used is standard offset binary, *Table 1*.

This Digital-to Analog Converter uses a standard 3–wire interface compatible with SPI™, QSPI™ and Microwire™. The output settling time is specified at 30 μ s to full 12-bit accuracy when driving a 5K Ω , 50pF load combination.

The **SP9601** Digital-to-Analog Converter is ideally suited for applications such as ATE, process controllers, robotics and instrumentation. The **SP9601** is available in an 8-pin 0.15" SOIC and 0.3" PDIP packages, specified over commercial and industrial temperature ranges.

THEORY OF OPERATION

The **SP9601** consists of four main functional blocks – the input shift register, DAC register, 12-Bit D/A converter and a bipolar output voltage amplifier, *Figure 1*.

The input shift register is used to convert the serial input data stream to a parallel 12–Bit digital word. The input data is shifted on positive clock (SCLK) edges when the Chip Select (\overline{CS}) signal is in the “low” state. The MSB is loaded first and LSB last. No shifting of the input data occurs when the Chip Select (\overline{CS}) signal is in the “high” state.

The DAC register is used to store the digital word which is sent to the DAC. Its value is updated on the positive transition of the Chip Select (\overline{CS}) signal.

In order to reduce the DAC full scale output sensitivity to the large weighting of the MSB's found in conventional R-2R resistor ladders, the 3 MSB's are decoded into 8 equally weighted levels. This reduces the contribution of each bit by a factor of 4, thus, reducing the output sensitivity to mismatches in resistors and switches by the same amount. Linearity errors and stability are both improved for the same reasons.

The DAC itself is implemented with precision thin-film resistors and CMOS transmission gate switches. The resistor network is laser-trimmed to achieve better than 12–Bit accuracy. The D/A converter is used to convert the 12-bit input word to a precision voltage.

INPUT			OUTPUT
MSB	LSB		
1111	1111	1111	$V_{REF} - 1 \text{ LSB}$
1111	1111	1110	$V_{REF} - 2 \text{ LSB}$
1000	0000	0001	$0 + 1 \text{ LSB}$
1000	0000	0000	0
0000	0000	0001	$-V_{REF} + 1 \text{ LSB}$
0000	0000	0000	$-V_{REF}$
$1 \text{ LSB} = \frac{2 V_{REF}}{2^{12}}$			

Table 1. Offset Binary Coding

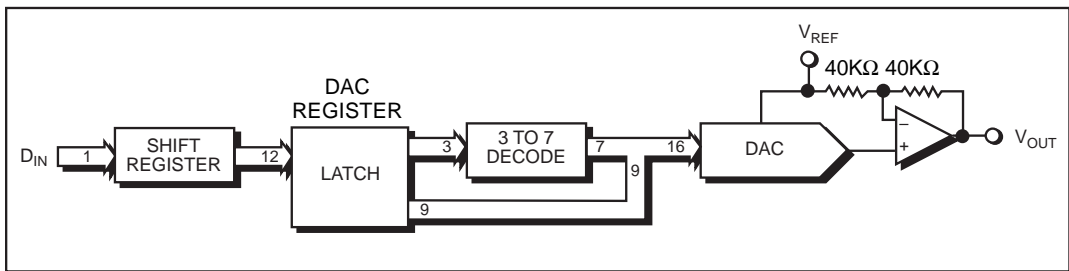


Figure 1. Detailed Block Diagram

The operational amplifier is a rail-to-rail input, rail-to-rail output CMOS amplifier. It is capable of supplying 5mA of load current in the ± 3 volt output range. The initial offset voltage is laser-trimmed to improve accuracy. Settling time is 30 μ s for a full scale output transition to 0.024% accuracy.

The bipolar voltage output of the **SP9601** is created on chip from the DAC output voltage (V_{DAC}) by using an operational amplifier and two feedback resistors connected as shown in Figure 2. This configuration produces a ± 4.5 V bipolar output range with standard offset binary coding, *Table 1*.

USING THE SP9601

External Reference

The DAC input resistance is code dependent and is minimum at code 1877 and nearly infinite at code 0. Because of the code-dependent nature of the reference a high quality, low output impedance amplifier should be used to drive the V_{REF} input.

Serial Clock and Update Rate

The **SP9601** maximum serial clock rate (SCLK) is given by $1/(t_{CH} + t_{CL})$ which is approximately

12.5 MHz. The digital word update rate is limited by the chip select period, which is 12 X SCLK periods plus the \overline{CS} high pulse width t_{CSW} . This is equal to a 1 μ s or 1 MHz update rate. However, the DAC settling time to 12-Bits is 30 μ s, which for full scale output transitions would limit the update rate to 33 kHz.

Logic Interface

The **SP9601** is designed to be compatible with TTL and CMOS logic levels. However, driving the digital inputs with TTL level signals will increase the power consumption of the part by 300 μ A. In order to achieve the lowest power consumption use rail-to-rail CMOS levels to drive the digital inputs.

Midscale Preset

By holding \overline{CS} pin low during Power-up, the DAC output can be forced to 0V. Following Power-up, the \overline{CS} pin should be kept low as the first digital word is shifted into the shift register. When \overline{CS} pin is set high, the digital word in the shift register (loaded by the last 12 clock cycles) is latched into the DAC register. Thus, the DAC can be forced to go from midscale (1000 0000 0000, on Power-up) to any digital state, without entering an unknown state.

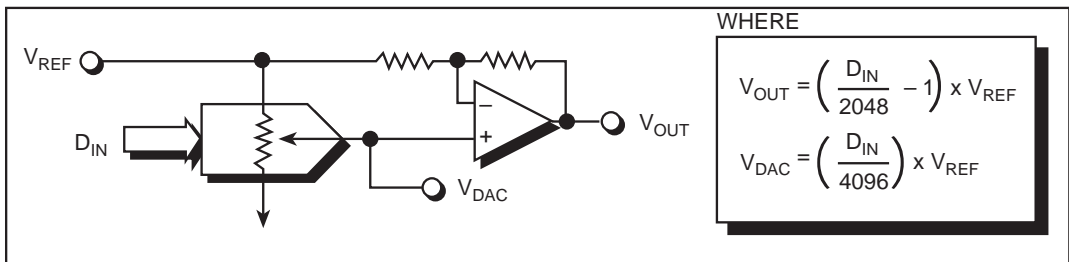


Figure 2. Transfer Function

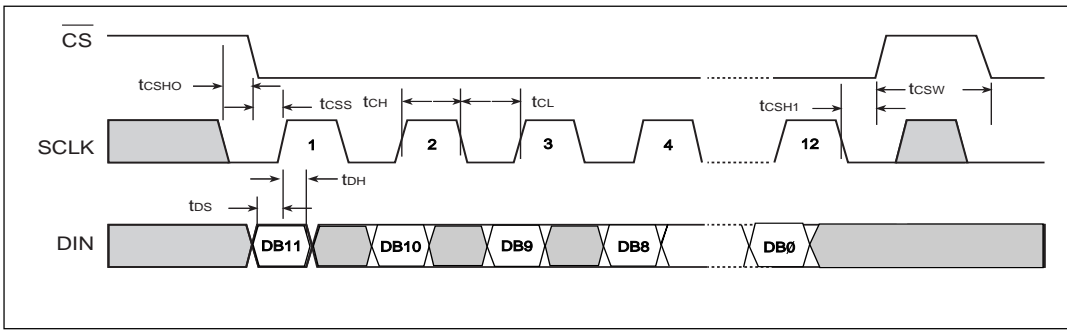


Figure 3. Timing Diagram

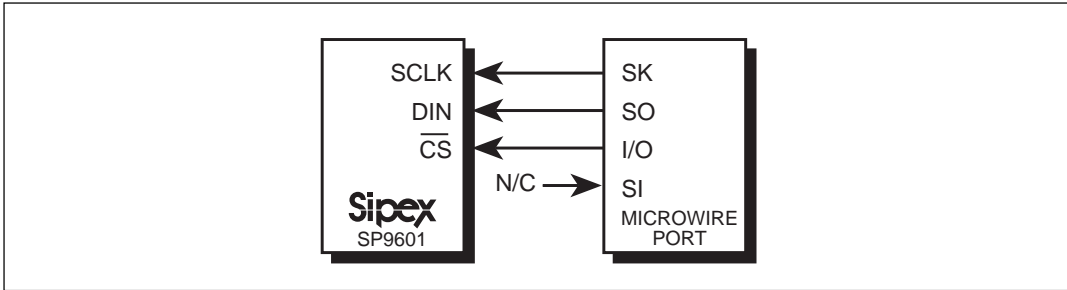


Figure 4. Microwire Connection

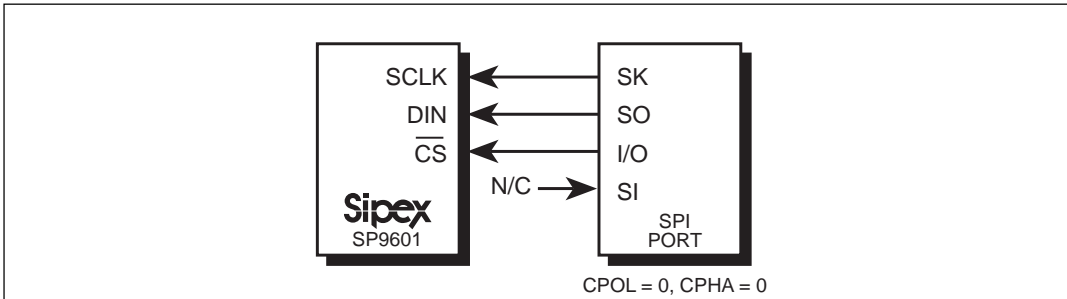
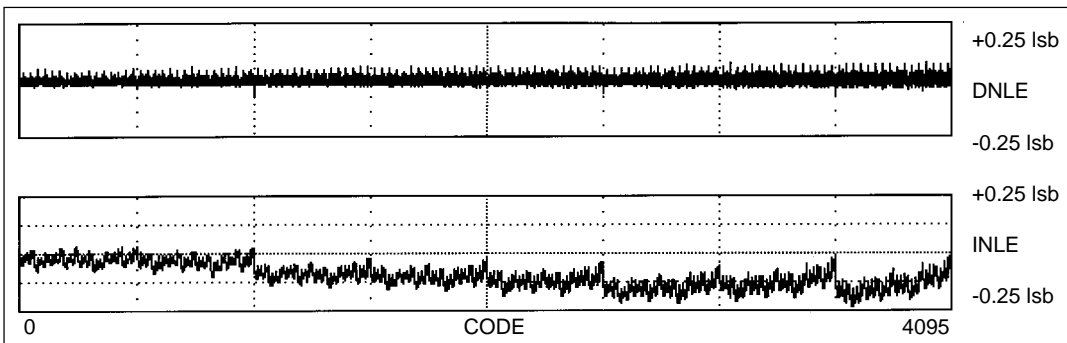
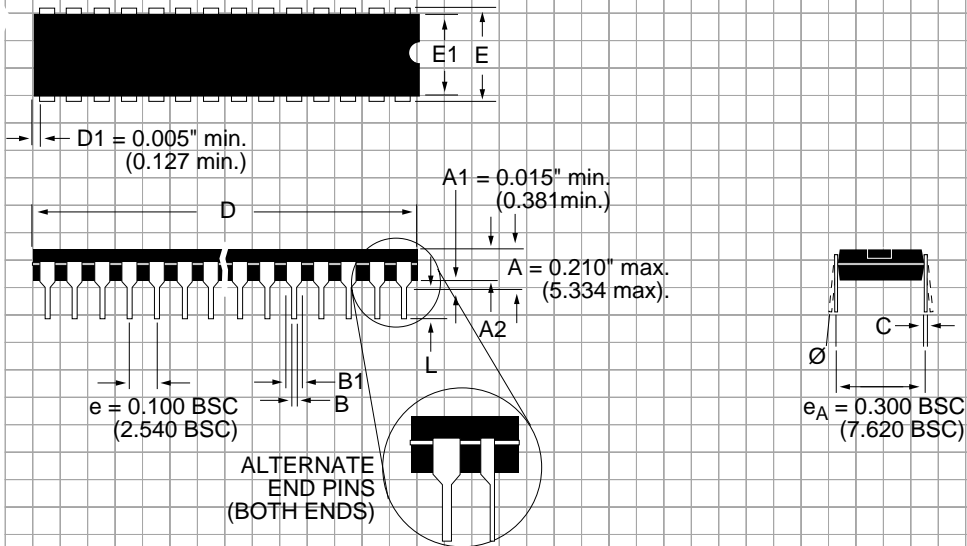


Figure 5. SPI Connection



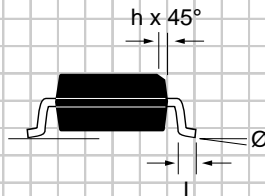
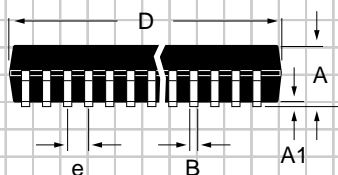
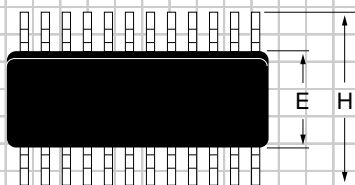
DNLE, INLE Plots

PACKAGE: PLASTIC DUAL-IN-LINE (NARROW)



DIMENSIONS (Inches) Minimum/Maximum (mm)	8-PIN	14-PIN	16-PIN	18-PIN	20-PIN	22-PIN
A2	0.115/0.195 (2.921/4.953)	0.115/0.195 (2.921/4.953)	0.115/0.195 (2.921/4.953)	0.115/0.195 (2.921/4.953)	0.115/0.195 (2.921/4.953)	0.115/0.195 (2.921/4.953)
B	0.014/0.022 (0.356/0.559)	0.014/0.022 (0.356/0.559)	0.014/0.022 (0.356/0.559)	0.014/0.022 (0.356/0.559)	0.014/0.022 (0.356/0.559)	0.014/0.022 (0.356/0.559)
B1	0.045/0.070 (1.143/1.778)	0.045/0.070 (1.143/1.778)	0.045/0.070 (1.143/1.778)	0.045/0.070 (1.143/1.778)	0.045/0.070 (1.143/1.778)	0.045/0.070 (1.143/1.778)
C	0.008/0.014 (0.203/0.356)	0.008/0.014 (0.203/0.356)	0.008/0.014 (0.203/0.356)	0.008/0.014 (0.203/0.356)	0.008/0.014 (0.203/0.356)	0.008/0.014 (0.203/0.356)
D	0.355/0.400 (9.017/10.160)	0.735/0.775 (18.669/19.685)	0.780/0.800 (19.812/20.320)	0.880/0.920 (22.352/23.368)	0.980/1.060 (24.892/26.924)	1.145/1.155 (29.083/29.337)
E	0.300/0.325 (7.620/8.255)	0.300/0.325 (7.620/8.255)	0.300/0.325 (7.620/8.255)	0.300/0.325 (7.620/8.255)	0.300/0.325 (7.620/8.255)	0.300/0.325 (7.620/8.255)
E1	0.240/0.280 (6.096/7.112)	0.240/0.280 (6.096/7.112)	0.240/0.280 (6.096/7.112)	0.240/0.280 (6.096/7.112)	0.240/0.280 (6.096/7.112)	0.240/0.280 (6.096/7.112)
L	0.115/0.150 (2.921/3.810)	0.115/0.150 (2.921/3.810)	0.115/0.150 (2.921/3.810)	0.115/0.150 (2.921/3.810)	0.115/0.150 (2.921/3.810)	0.115/0.150 (2.921/3.810)
\emptyset	0°/ 15° (0°/15°)	0°/ 15° (0°/15°)	0°/ 15° (0°/15°)	0°/ 15° (0°/15°)	0°/ 15° (0°/15°)	0°/ 15° (0°/15°)

**PACKAGE: PLASTIC
SMALL OUTLINE (SOIC)
(NARROW)**



DIMENSIONS (Inches) Minimum/Maximum (mm)	8-PIN	14-PIN	16-PIN			
A	0.053/0.069 (1.346/1.748)	0.053/0.069 (1.346/1.748)	0.053/0.069 (1.346/1.748)			
A1	0.004/0.010 (0.102/0.249)	0.004/0.010 (0.102/0.249)	0.004/0.010 (0.102/0.249)			
B	0.014/0.019 (0.35/0.49)	0.013/0.020 (0.330/0.508)	0.013/0.020 (0.330/0.508)			
D	0.189/0.197 (4.80/5.00)	0.337/0.344 (8.552/8.748)	0.386/0.394 (9.802/10.000)			
E	0.150/0.157 (3.802/3.988)	0.150/0.157 (3.802/3.988)	0.150/0.157 (3.802/3.988)			
e	0.050 BSC (1.270 BSC)	0.050 BSC (1.270 BSC)	0.050 BSC (1.270 BSC)			
H	0.228/0.244 (5.801/6.198)	0.228/0.244 (5.801/6.198)	0.228/0.244 (5.801/6.198)			
h	0.010/0.020 (0.254/0.498)	0.010/0.020 (0.254/0.498)	0.010/0.020 (0.254/0.498)			
L	0.016/0.050 (0.406/1.270)	0.016/0.050 (0.406/1.270)	0.016/0.050 (0.406/1.270)			
Ø	0°/8° (0°/8°)	0°/8° (0°/8°)	0°/8° (0°/8°)			

ORDERING INFORMATION

Model	Temperature Range	Package
Monolithic 12-Bit DAC Voltage Output:		
SP9601JN	0°C to +70°C	8-pin, 0.3" Plastic DIP
SP9601KN	0°C to +70°C	8-pin, 0.3" Plastic DIP
SP9601JS	0°C to +70°C	8-pin, 0.15" SOIC
SP9601KS	0°C to +70°C	8-pin, 0.15" SOIC
SP9601AN	-40°C to +85°C	8-pin, 0.3" Plastic DIP
SP9601BN	-40°C to +85°C	8-pin, 0.3" Plastic DIP
SP9601AS	-40°C to +85°C	8-pin, 0.15" SOIC
SP9601BS	-40°C to +85°C	8-pin, 0.15" SOIC



SIGNAL PROCESSING EXCELLENCE

Sipex Corporation

Headquarters and Sales Office

22 Linnell Circle
Billerica, MA 01821
TEL: (978) 667-8700
FAX: (978) 670-9001
e-mail: sales@sipex.com

Sales Office

233 South Hillview Drive
Milpitas, CA 95035
TEL: (408) 934-7500
FAX: (408) 935-7600

Sipex Corporation reserves the right to make changes to any products described herein. Sipex does not assume any liability arising out of the application or use of any product or circuit described hereing; neither does it convey any license under its patent rights nor the rights of others.