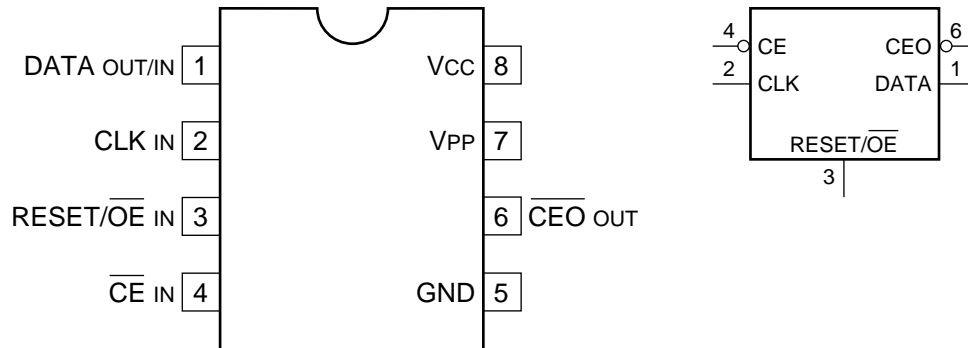


C-MOS SERIAL CONFIGURATION EPROM

—TOP VIEW—



CE ; CHIP ENABLE INPUT
 CEO ; CHIP ENABLE OUTPUT
 CLK ; CLOCK INPUT
 DATA ; DATA OUTPUT/INPUT
 OE ; OUTPUT ENABLE INPUT
 RESET ; RESET INPUT

TYPE	BIT
XC1736	36K-BIT
XC17128	128K-BIT
XC17256	256K-BIT

